

## Mercedes 190SL (W121)



SLS Import- und Export Handelsgesellschaft mbH

## Content

<b>01 Engine</b>	5
01.a Engine	5
01.c Info Cylinder Head Bolts	7
01.b,03 Info Engine Gasket Sets	8
<b>07 Solex Carburettor</b>	9
<b>09 Air Intake and Fuel Pump</b>	11
09.a Air Intake and Fuel Pump	11
09.b Comment Fuel Pump	12
<b>15 Electric Equipment (Engine)</b>	14
15 Electric-Equipment (Engine)	14
15.i Info Spark Plugs	15
<b>18 Lubrication (Engine)</b>	17
<b>20, 50 Cooling System</b>	18
20,50,83 Engine Cooling	18
20.a Info Water Pump	19
<b>22, 25 Engine Mount, Clutch</b>	21
22.b Info Engine Mounts	21
22.a Engine Mount, Clutch	21
<b>26 Gearbox</b>	23
<b>29 Gearshift and Pedals LHD</b>	24
<b>33 Front Suspension</b>	26
<b>35 Rear Suspension</b>	28
<b>40, 41, 81 Wheels, Prop.-Shaft, Wheel trim</b>	30
40, 41, 81 Wheels, Prop.-Shaft, Wheel trim	30
40, 81.b Info Wheel decoration	31
<b>42 Brakes</b>	32
42.c Brake (Linings, Mastercylinder, Handbrake)	32
42.a Brake (Wheels)	33
42.d Info Brake Shoes rear	35
42.b Info Wheel Cylinder front	36
43 Brake Booster T50	36
<b>46 Steering</b>	38
<b>47 Fuel Tank</b>	40
<b>49.a Exhaust System</b>	41
<b>49.b Stainless Steel Exhaust 190SL</b>	42
<b>54.a Electric Equipment (Dashboard)</b>	43
<b>54.b Wire Set</b>	45
<b>61 Chassis Raw Floor &amp; Panelling</b>	47
61 Floor Panelling	47
62 Panelling (Front)	48
64.i Info raw Bodyshell/Chassis w. detailed picts	49
64 Panelling (Rear)	49
<b>67 Windscreen</b>	51
<b>68.a Floor mats and insulation</b>	52
<b>72 Door</b>	53
<b>77, 79 Softtop, Hardtop</b>	56
77.b Softtop Equipmet	56
77.a Softtop	57
77.c Info Content Hood Frame	59
79 Hardtop	59
<b>81 Interior Equipment</b>	61
<b>82 Lighting, W.-screen-wipe &amp; wash</b>	63
<b>83 Heater System</b>	66
<b>88.b Chrome and Trims</b>	68

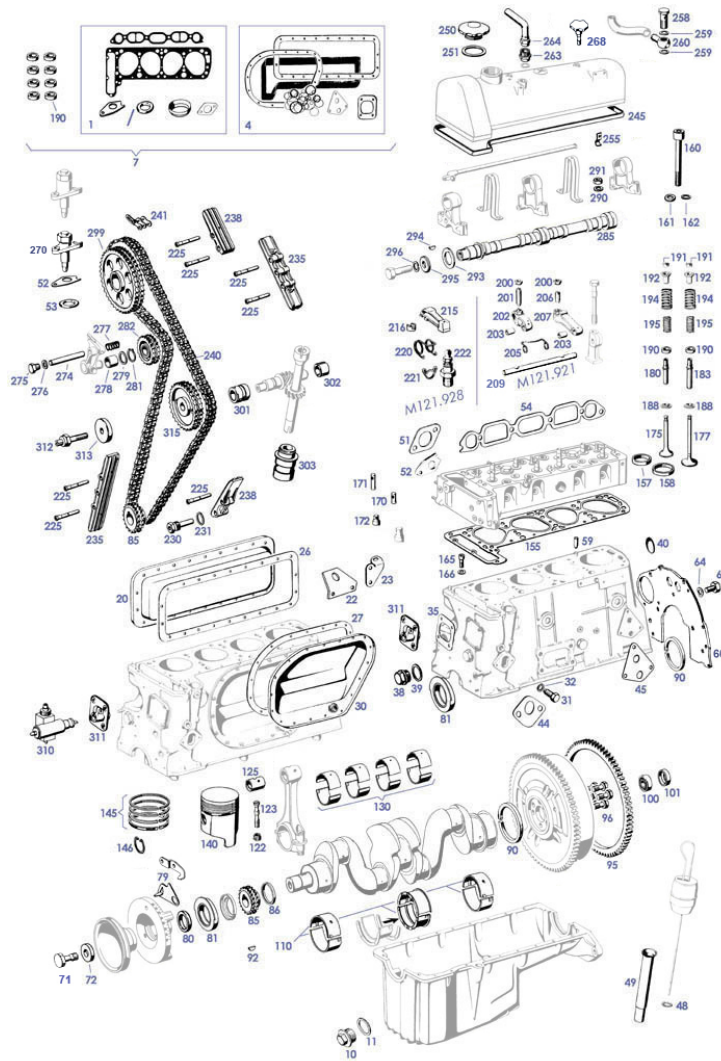
<b>88.a Bonnet, bootlid &amp; cover panels</b> .....	70
<b>91 Seats</b> .....	71
<b>97 Accessories</b> .....	73

Jacobsrade 27 · D-22962 Siek  
Tel. +49(0)40 656 939-0 · Fax +49(0)40 656 939-399  
I-net: [www.sls-hh.de](http://www.sls-hh.de) · e-mail: [service@sls-hh.de](mailto:service@sls-hh.de)

# 01 Engine

## 01.a Engine

01.a Engine



	Pipe elbow @ cylinder head, >8501757	<a href="#">120830</a>	36,06 €		Used: Flange, tacho drive	<a href="#">101460</a>	356,99 €
test	oil rail, chain guide, several M115 types	<a href="#">505006</a>	44,63 €		Gasket at crankcase, 190SL, M110 early,	<a href="#">109804</a>	2,25 €
	Oil pump, fits 190SL, FEBI, late snorkel required	<a href="#">118806</a>	681,99 €		Rocker arm pin, 190,230,250, Repro	<a href="#">205842</a>	62,00 €
10	Sump plug, version inhex	<a href="#">299300</a>	4,70 €	10	Sump screw, M26 / Hex17	<a href="#">199300</a>	7,74 €
11	Sealing ring fits lage sump drain plug (M26)	<a href="#">299301</a>	1,27 €	20	Engine cover 190SI up to the 1958 model	<a href="#">101800</a>	167,58 €
22	Bracket, .921 air tube strut ->8501731	<a href="#">101071</a>	15,10 €	22	Bracket, .928 air tube strut	<a href="#">101073</a>	51,23 €
23	Bracket, .921 air tube strut 8501731->	<a href="#">101072</a>	36,03 €	26	Gasket, for Rt. side cover	<a href="#">101099</a>	8,38 €
27	Gasket, for Lt. side cover	<a href="#">101030</a>	12,23 €	27	Bolt M6 x 12 in-hex	<a href="#">299043</a>	0,36 €
30	M121 Engine cover LH NOS	<a href="#">101040</a>	130,00 €	30	Engine cover 190SL up to the 1958 model LH	<a href="#">101840</a>	137,20 €
30	Copper seal ring	<a href="#">207115</a>	0,62 €	32	Alu seal ring M12, eg. eng. block@chain	<a href="#">107143</a>	0,70 €
35	Gasket, tach drive base M121	<a href="#">101035</a>	9,97 €	38	Plug screw M24 e.g. pressure valve	<a href="#">218816</a>	29,75 €
38	Plug screw M18 e.g. pressure valve	<a href="#">218815</a>	15,66 €	39	Seal Ring   gear box drain plug	<a href="#">226047</a>	0,54 €
40	Expansion plug, 35mm	<a href="#">199073</a>	14,80 €	40	Expansion plug, 30mm	<a href="#">199072</a>	14,80 €
40	Expansion plug, 40mm	<a href="#">199074</a>	14,28 €	40	hex. socket pipe plug with taper fine pitch thread	<a href="#">101005</a>	1,90 €
44	Gasket at crankcase, 190SL, M110	<a href="#">109004</a>	0,51 €	45	Gasket, upr.filter hsg./engine	<a href="#">118008</a>	1,69 €


	early,						
48	Seal ring e.g. dip stick	<a href="#">101044</a>	0,75 €	49	Guide tube 190SL	<a href="#">101066</a>	129,70 €
51	Gasket, thermostate	<a href="#">120011</a>	2,02 €	52	Gasket,tensioner to head,921->018422	<a href="#">105135</a>	12,88 €
53	0' Ring tensioner to head	<a href="#">205135</a>	0,55 €	54	Exh-/Intake gasket ELRING	<a href="#">114000</a>	10,89 €
54	see 114000	<a href="#">114800</a>	8,90 €	59	parallel pin, tolerance zone m6, 10 X 14	<a href="#">101190</a>	1,34 €
60	Flange plate .921 from 8502445; 928	<a href="#">101077</a>	178,50 €	64	M12-127 lock washer	<a href="#">235316</a>	0,26 €
71	Necked down bolt for crankshaft pulley	<a href="#">103085</a>	8,21 €	72	Washer	<a href="#">103083</a>	7,14 €
76	Counterweight replica A6210311107	<a href="#">103042</a>	390,32 €	79	pointer Generation 1+2 / 121.921 6501562 -> / 121.928 -> 003096	<a href="#">103023</a>	31,88 €
79	pointer, 1st Gen, see picture	<a href="#">403022</a>	36,00 €	80	Ring, crank seal distancer, 190SL	<a href="#">105040</a>	22,06 €
81	Front oil seal	<a href="#">105041</a>	17,39 €	85	Crankshaft sprocket	<a href="#">103011</a>	76,99 €
90	Felt-seal rr crank, 6mm ->05.61	<a href="#">105047</a>	6,88 €	90	Rear oil seal, 8 mm, from ca. 05.'61	<a href="#">205046</a>	8,71 €
92	Woodruff key,cr-shaft .928 late,127earl	<a href="#">103026</a>	9,16 €	95	Starter ring gear 108 teeth	<a href="#">103200</a>	208,25 €
96	Flywheel stretch bolt	<a href="#">103029</a>	9,98 €	100	Pilot bearing	<a href="#">103093</a>	19,52 €
101	Cover, pilot bearing	<a href="#">103094</a>	1,81 €	110	CS-Bearing set, 70.00 mm, M121...	<a href="#">103015</a>	185,50 €
110	Bearing set, crankshaft +.25, watch hol	<a href="#">103016</a>	157,79 €	110	CS-Bearing set, 69.50mm , M121...	<a href="#">103017</a>	185,50 €
110	Bearing set, crankshaft +.75	<a href="#">103018</a>	185,50 €	110	Bearing set, crankshaft +1.0 oversize	<a href="#">103019</a>	157,79 €
123	Stretch Bolt for connecting rods, 190, 230 up 4-65, Repro	<a href="#">103075</a>	11,65 €	125	A1860380750 Bushing, Con-rod 921 Eng. S	<a href="#">103070</a>	85,85 €
130	Bearing set, conn.rods -0,75	<a href="#">103040</a>	162,48 €	130	Bearing set, conn.rods -1.00	<a href="#">103050</a>	161,00 €
130	Bearing set, conn.rods -0,25	<a href="#">103020</a>	159,65 €	130	Bearing set, conn.rods 1.25 Oversize	<a href="#">103055</a>	390,95 €
130	Bearing set, conn.rods -0,50	<a href="#">103030</a>	155,53 €	130	Conrod beargs. 52.00mm, M121...	<a href="#">103010</a>	162,48 €
140	Piston 121.921 86.00mm Mahle as long as stock lasts! Piston 121.921 85.00mm Mahle	<a href="#">103005</a>	270,00 €	140	Piston 121.921 86.50mm Mahle	<a href="#">103006</a>	296,30 €
140	Piston 121.921 85.50mm Mahle	<a href="#">103004</a>	275,00 €	140	Piston 121.921 85.25mm Mahle	<a href="#">103003</a>	280,00 €
145	Ring set per piston 85.00 (4-R-piston)	<a href="#">103060</a>	59,99 €	145	Ring set 85,5mm for 1 piston	<a href="#">103062</a>	65,64 €
150	A1210109920 Cylinder head, 921 engine	<a href="#">101100</a>	5.159,00 €	145	Piston ring set 86.00mm per piston 190S	<a href="#">103063</a>	65,64 €
155	Cylinder head gasket 190SL	<a href="#">101020</a>	88,50 €	150	Gewindestutzen zB Messkapillare in Kopf	<a href="#">120037</a>	27,20 €
160	Allen head bolt 125mm .921 6x, .928 3x	<a href="#">101125</a>	5,50 €	155	Cylinder head gasket 190SL	<a href="#">101620</a>	138,98 €
160	Cylinder head bolt 105mm for engine M121 921,127,129,130	<a href="#">101105</a>	5,99 €	160	cylinder head screw 140mm	<a href="#">201140</a>	9,98 €
165	InHex bolt 12.9, M8x30, sump, ...	<a href="#">118018</a>	2,05 €	161	Washer, M12 cylinder head bolt	<a href="#">101822</a>	2,86 €
175	Exhaust valve	<a href="#">105110</a>	59,50 €	175	Exhaust valve Na-filled	<a href="#">105010</a>	47,60 €
180	Valve Guide, exhaust, 14.018 mm	<a href="#">105080</a>	16,18 €	177	Inlet Valve 190SL, ...	<a href="#">105113</a>	29,58 €
180	Valve guide outl. 14,10mm	<a href="#">105980</a>	15,17 €	180	Valve Guide, exhaust, 14,20mm	<a href="#">105090</a>	15,17 €
183	Valve guide, 2nd oversize. 14.2mm	<a href="#">105300</a>	15,59 €	183	Valve guide inlet 14.10mm	<a href="#">105250</a>	17,85 €
191	Valve lock, 1 hal, ->'67	<a href="#">105046</a>	6,00 €	190	Valve sealing ring, 1 pce	<a href="#">102204</a>	5,30 €
195	Valve spring	<a href="#">105012</a>	12,90 €	194	Valve spring, Outer	<a href="#">105811</a>	11,50 €
200	Valve adjustment nut M10x1, height 4,3	<a href="#">105019</a>	2,48 €	200	Valve adjustment nut M10x1, height 6,1	<a href="#">105819</a>	12,50 €
201	Valve adj.screw,rocker arm 'out'	<a href="#">105017</a>	155,00 €	201	Valve adj.screw,rocker arm 'out'	<a href="#">105817</a>	29,75 €
206	Valve adj.screw,rocker arm inlet (short screw)	<a href="#">105018</a>	23,38 €	202	Rocker arm, Exhaust. 921 Eng	<a href="#">105016</a>	165,01 €
209	1 pce Rocker arm shaft for engine 121.921	<a href="#">105023</a>	128,52 €	207	A1210500033 Rocker arm, Intake 921 Eng.	<a href="#">105015</a>	201,11 €
215	Rocker arm inlet/outlet	<a href="#">205840</a>	28,92 €	215	Rocker arm, FEBI	<a href="#">205040</a>	30,35 €
216	Thrust piece 3.5mm	<a href="#">205037</a>	27,13 €	216	Thrust piece 2.5mm	<a href="#">205038</a>	19,93 €
221	Spring, rocker base bolts ->'67	<a href="#">105029</a>	6,40 €	216	Thrust piece 4.5mm ->5.69 (FN)	<a href="#">205036</a>	25,89 €
225	Pin for chain guide, L 48,5mm	<a href="#">105830</a>	12,25 €	225	Guide rail pin 58mm	<a href="#">105805</a>	15,35 €
230	Pin	<a href="#">705804</a>	13,76 €	225	Pin, 51mm- until 8501731	<a href="#">105820</a>	10,76 €
235	Sicherungsdraht für Gleitschiene	<a href="#">405099</a>	2,03 €	231	Seal ring f. bolt 705004	<a href="#">705005</a>	0,68 €
238	Chainguide,new,all plastic	<a href="#">205010</a>	5,50 €	235	Chain guide, long, alu base	<a href="#">105004</a>	145,92 €
240	Timing chain 130 lns (shorten,if necessary)	<a href="#">105003</a>	74,54 €	238	Chainguide short, design meets old original	<a href="#">105006</a>	189,97 €
245	Gasket, Valve cover,	<a href="#">101010</a>	22,54 €	241	MasterLink Duplex chain (content of chain)	<a href="#">199013</a>	6,05 €
251	Sealing ring, oil cap (metal screw	<a href="#">101055</a>	4,30 €	245	Gasket, Valve cover, M121, brand REINZ	<a href="#">101810</a>	20,43 €
				255	Clamp, e.g. oil-pipe, wires	<a href="#">199025</a>	4,22 €

	on cap)					
258	Hollow bolt, eg eng vent ->'55	<a href="#">109018</a>	9,76 €	259	Seal ring 18x22 Al	<a href="#">109019</a> 0,94 €
260	Banjo fitting, norm, fits M18	<a href="#">109816</a>	16,01 €	264	Breather tube @ valve cover, 5500996->	<a href="#">109015</a> 86,99 €
268	Bolt, hand driven, valve cover	<a href="#">105105</a>	158,98 €	270	Chain tensioner	<a href="#">105101</a> 310,00 €
273	Link, chain tensioner 121.921	<a href="#">105036</a>	332,80 €	274	Shaft for lever, tensioner	<a href="#">205814</a> 10,00 €
277	Spring	<a href="#">299113</a>	8,09 €	278	Bushing	<a href="#">105112</a> 40,70 €
281	retaining rings for shafts 20 X 1,2	<a href="#">299498</a>	0,26 €	282	Tensioner sprocket+bushing, Repro	<a href="#">105002</a> 156,95 €
285	Camshaft, M..921, Repro, doesnt meet MB quality	<a href="#">105601</a>	647,32 €	287	Stud M8 camshaft bearing	<a href="#">101139</a> 3,46 €
290	washer for socket head screws 8,4 zinc plated	<a href="#">199089</a>	0,10 €	293	Spacer 2.7 mm behind camshaft sprocket	<a href="#">205818</a> 17,50 €
294	woodruff key, standard, 4mm	<a href="#">205077</a>	1,00 €	294	A6219910467 Woodruff key, 4° cs.	<a href="#">205078</a> 13,99 €
295	Disc to screw camshaft sprocket	<a href="#">105821</a>	9,52 €	295	Shim, camshaft sprocket	<a href="#">105021</a> 3,93 €
296	Spring washer 14mm e.g. cam wheel	<a href="#">105028</a>	0,55 €	299	Camshaft sprocket M121,127,129,130,.. FEBI	<a href="#">105001</a> 56,85 €
300	A1800500506   Sprocket shaft	<a href="#">105038</a>	339,80 €	301	Bushing, intermediate sprocket shaft	<a href="#">205020</a> 59,98 €
302	Bushing	<a href="#">105037</a>	26,78 €	303	A1801500107 Distributor drive bushing	<a href="#">105039</a> 136,85 €
310	Tachometer drive gear	<a href="#">105008</a>	627,37 €	311	Used: Flange, tacho drive	<a href="#">101260</a> 300,76 €
312	drive bolt at rev-counter gear	<a href="#">105032</a>	37,09 €	313	Shim, tacho drive	<a href="#">105031</a> 15,48 €
315	Intermediate shaft sprocket	<a href="#">105807</a>	179,99 €	315	Intermediate sprocket, "B-quality"	<a href="#">105007</a> 96,15 €

## 01.c Info Cylinder Head Bolts

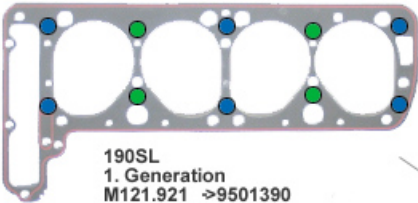
### 01.c Info Cylinder Head Bolts

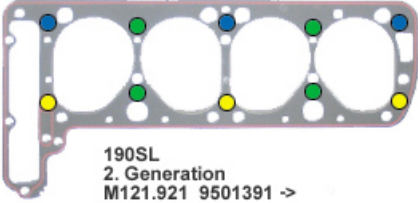
● 105mm = SLS [101105](#)  
● 140mm = SLS [201140](#)  
● 125mm = SLS [101125](#)

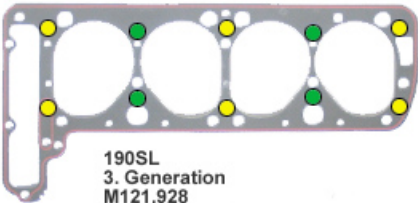


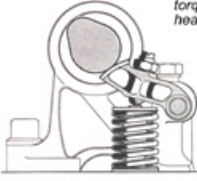
Bauart der Schrauben: siehe Produktbilder  
Anzugsmomente: Werkstattdokumentation und Angaben der Kopfdichtungs-Beilage beachten


Bolt design see product illustration, torque see workshop manual and head gasket product info

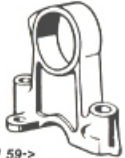
**190SL 1. Generation M121.921 ->9501390**  


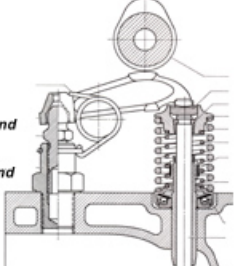
**190SL 2. Generation M121.921 9501391 ->**  


**190SL 3. Generation M121.928**  


**M121.921:**  
 Schwinghebel E / A unterschiedlich und auf Nebenwelle gelagert  
 Rocker arms I / O differing and supported on shaft  


**121.921 ->59:**  
 NW-Lager mit flachen Laschen  
 CS Bearings with flat feet  


**121.921 59->**  
 NW-Lager mit hohen Laschen  
 AUCH frühe, bei NW-Lager-ERSATZ  
 CS-Bearings with high feet  
 AND earlier, if bearings REPLACED  


**M121.928:**  
 Kipphebel E / A sind gleich und abgestützt auf Kugelbolzen  
 Rocker Arms I / O identical and supported on ball head bolts  


Washer, M12 cylinder head bolt	<a href="#">101822</a>	2,86 €	101105	Cylinder head bolt 105mm for	<a href="#">101105</a>	5,99 €
--------------------------------	------------------------	--------	--------	------------------------------	------------------------	--------

101125 Allen head bolt 125mm .921 6x, [101125](#)  
.928 3x

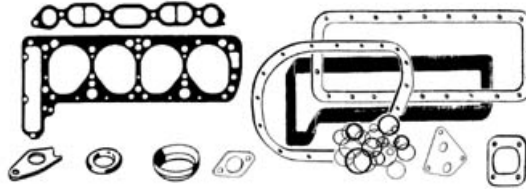
5,50 € 201140

engine M121 921,127,129,130  
cylinder head screw 140mm [201140](#)

9,98 €

### 01.b,03 Info Engine Gasket Sets

01.b,03 Info Engine Gasket Sets



#### 190SL (M121.921 und M121.928 Motor-Dichtsätze

von		bis		Vollsatz	ZKD-Satz	Rumpfsatz
Motor-Nr	Datum	Motor-Nr	Datum			
M121.921	Anfang 04.1955	6503209	12.07.1956	100100	102105	100101
	6503210	12.07.1956	7501734	08.1957	100105	
	7501735	08.1957	8501731	22.07.1958		
	8501732	22.07.1958	18422	25.08.1960	100110	100201
	18423	25.08.1960	22122LHD	01.08.1961	100200	
			22285RHD	15.08.1961		
	M121.928	Anfang 01.08.1961	Ende	12.1962		

Gasket at crankcase, 190SL, M110 [109804](#)  
early,

2,25 €

101199 Set gasket rings

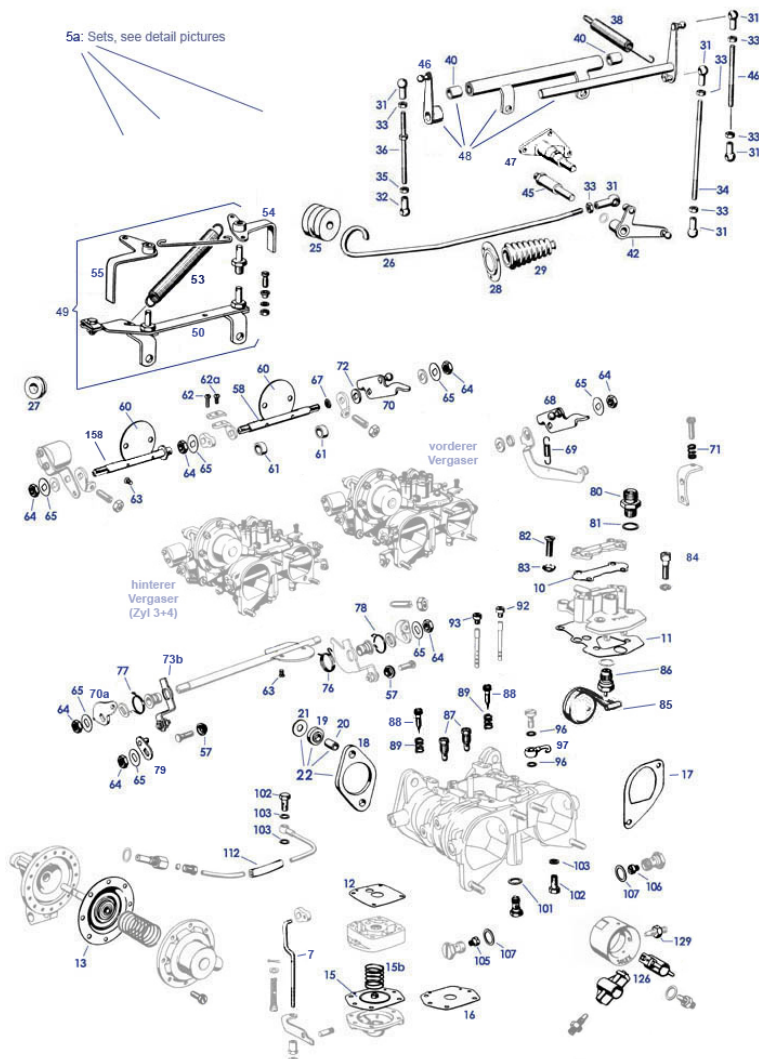
[101199](#)

12,98 €



# 07 Solex Carburettor

07 Solex Carburettor



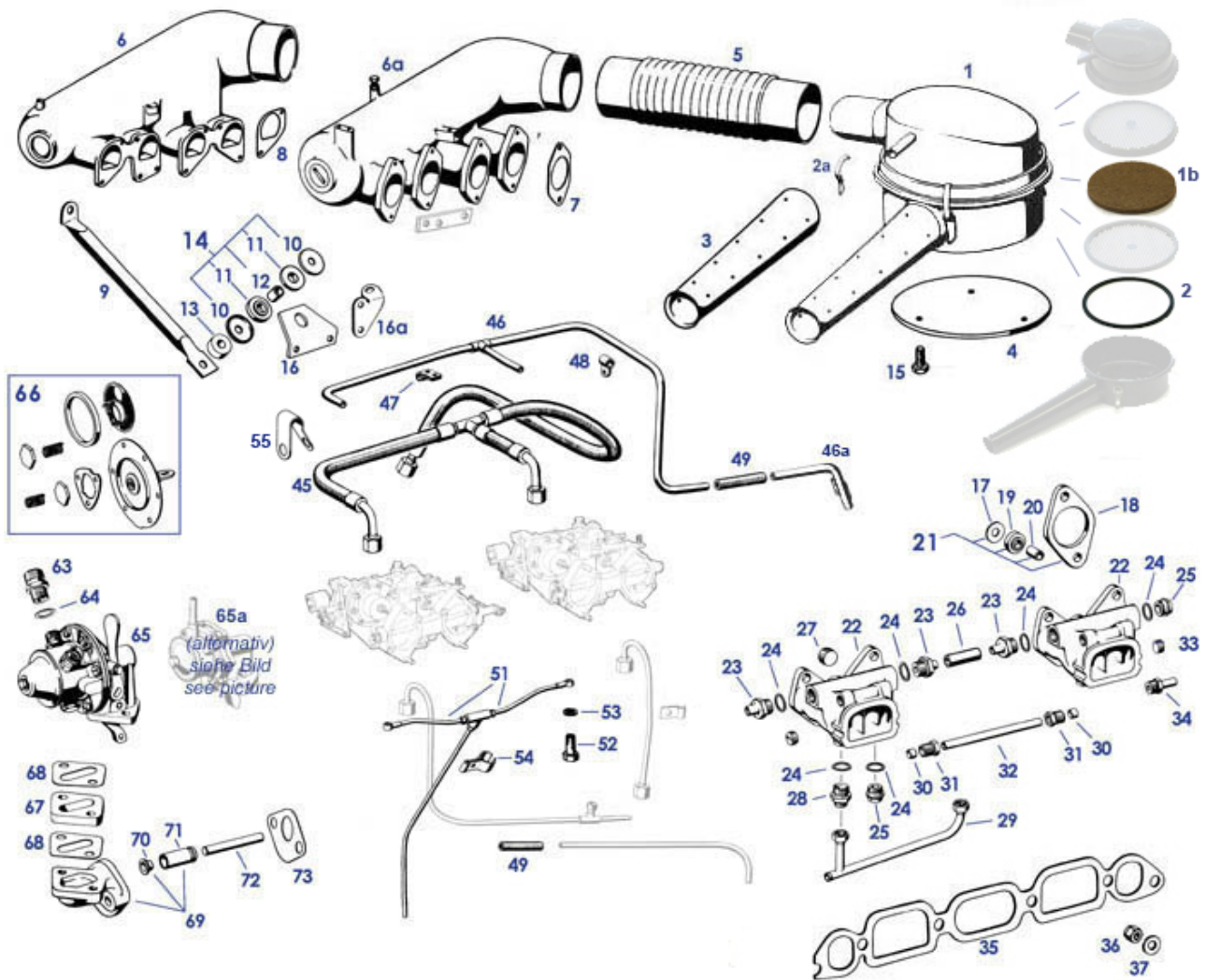
5a	Dampening rubber for pull rod	<a href="#">130200</a>	11,75 €		Overflow pipe, end	<a href="#">107847</a>	32,49 €
5a	Rep-Kit 190SL Solex-Carburetor	<a href="#">107151</a>	71,40 €	7	push rod, carb acc unit	<a href="#">107158</a>	89,49 €
10	Gasket, top cover	<a href="#">107050</a>	3,25 €	11	Gasket, Solex hsg top	<a href="#">107060</a>	5,99 €
12	Gasket, Solex 44PHH pump hsg. MB no. A0000711880	<a href="#">107030</a>	8,69 €	13	Diaphragm for Solex vacuum device	<a href="#">107020</a>	78,41 €
15	Diaphragm complete, acc-pump @ carb	<a href="#">107040</a>	49,85 €	15b	Spring at diaphragm	<a href="#">107055</a>	8,91 €
16	Membrane w.o. retainer	<a href="#">107045</a>	8,04 €	17	Gasket air tube to carb.->55	<a href="#">109043</a>	9,13 €
17	Gasket for air tube   1956->	<a href="#">109045</a>	5,00 €	17	Gasket, air tube '56->	<a href="#">109245</a>	3,49 €
17	Gasket air tube to carb.->55	<a href="#">109743</a>	8,33 €	18	Rubber flange w. metal insert	<a href="#">107811</a>	84,17 €
18	Rubber flange, carburetor to manifolds	<a href="#">107711</a>	7,09 €	19	Rubber shim on carburettor flange	<a href="#">107814</a>	3,61 €
20	Spacer sleeve on carburettor flange	<a href="#">107012</a>	5,99 €	21	Washer on carburettor flange	<a href="#">107013</a>	3,99 €
25	DAMPening rubber for pull rod 45 SHORE A	<a href="#">130800</a>	6,39 €	25	Buffer ring, acc linkage (60°SH)	<a href="#">230800</a>	6,39 €
26	Pull rod, acc linkage LHD, comes w/o joint, w/o nut	<a href="#">130006</a>	40,61 €	27	Two hole grommet,heater & choke cables	<a href="#">130005</a>	3,05 €
28	Cover plate, acc bellow, LHD	<a href="#">130050</a>	23,45 €	29	Accelerator rod bellows	<a href="#">130100</a>	8,68 €
32	Ball socket with Lt. hand threads	<a href="#">230004</a>	2,44 €	33	Nut, 5mm, right hand thread	<a href="#">199095</a>	0,24 €
34	Carburetor linkage rod 145mm	<a href="#">107041</a>	11,28 €	35	Nut, 5mm Lt. Hd. Threads	<a href="#">230006</a>	0,83 €
36	Linkage adj. rod Lt. & Rt. carb M5L+M5R, LoA 101,5	<a href="#">107015</a>	27,26 €	38	Trottle linkage return spring	<a href="#">107021</a>	8,09 €
40	Carb control shaft bushing	<a href="#">130045</a>	8,45 €	42	Linkage angle lever at block	<a href="#">107023</a>	56,79 €
45	Cotter pin 1,6 x 16	<a href="#">780888</a>	0,12 €	45	Linkage pin at block, 8501732 --> end	<a href="#">107022</a>	32,00 €
46	Rear lever on reg. shaft	<a href="#">107016</a>	50,99 €	46	Carburetor linkage rod 80mm	<a href="#">107042</a>	9,22 €

47	Linkage pin at block, up to '58	<a href="#">107048</a>	62,31 €	48	Acc linkage @ Solex, assy see pict	<a href="#">107148</a>	181,11 €
49	Hot start linkage assy	<a href="#">107149</a>	197,48 €	50	Hot start linkage support,(c.i.5pts)	<a href="#">107001</a>	155,00 €
53	Hot start return spring	<a href="#">107805</a>	5,36 €	54	front angle lever@ hot st. linkage	<a href="#">107003</a>	82,42 €
55	rear angle lever@ hot start linkage	<a href="#">107002</a>	82,42 €	56	A1210710695 Wire connection between lev	<a href="#">107004</a>	14,16 €
57	Bushing, cable fixing	<a href="#">107029</a>	3,45 €	58	Throttle spindle 44PHH 1st step	<a href="#">107828</a>	42,28 €
60	A0000711710 throttle flap (start)	<a href="#">107107</a>	35,20 €	60	Rep diam carb flap 13° +0,2mm	<a href="#">107885</a>	52,00 €
60	Rep diam carb flap 17°+0,4mm	<a href="#">107888</a>	48,90 €	60	Throttle spindle 44PHH 2nd step	<a href="#">107829</a>	42,28 €
60	Rep diam carb flap 17° +0,2mm	<a href="#">107887</a>	48,50 €	60	Rep diam carb flap 13° +0,4mm	<a href="#">107886</a>	48,90 €
60	Throttle flap, 17°	<a href="#">107083</a>	52,00 €	61	Bushing throttle flap shaft 4x req.	<a href="#">107086</a>	8,20 €
63	Screw, throttle flap	<a href="#">107077</a>	2,99 €	64	Nut, M8x1 slim, e.g. throttle shafts,..	<a href="#">107036</a>	0,56 €
65	Lock shim, e.g. throttle shafts	<a href="#">107035</a>	1,79 €	67	Seal ring f.throttle shaft,1st.barrel	<a href="#">107033</a>	4,15 €
68	Lever, carb.II	<a href="#">107106</a>	110,73 €	69	Extensionspring, follower lever at carb. II	<a href="#">107031</a>	14,93 €
70	Lever, carb.I	<a href="#">107105</a>	124,43 €	70a	Support, carb. I	<a href="#">107103</a>	35,44 €
71	Spring, idle adj.screw	<a href="#">107074</a>	4,76 €	73b	Choke lever, carb.I	<a href="#">107104</a>	26,89 €
76	Spring at carburator, starter flap	<a href="#">107092</a>	11,03 €	77	Throttle shaft spring, carb.I	<a href="#">107110</a>	11,65 €
78	Throttle shaft spring, carb.II	<a href="#">107111</a>	11,65 €	79	Lever on starter flap shaft, for limiter	<a href="#">107112</a>	15,33 €
80	Threaded fitting, fuel line	<a href="#">107117</a>	34,21 €	81	Seal ring at threaded fitting	<a href="#">107097</a>	0,52 €
82	Sunk screw, slot, spec. carb cap	<a href="#">107056</a>	2,39 €	82	Sunk screw, slot, spec. carburettor cap	<a href="#">107856</a>	2,39 €
83	toothed lock washer, external teeth 6,4mm	<a href="#">107051</a>	0,24 €	84	Screw, square head	<a href="#">107078</a>	5,53 €
85a	Float, fits Solex 44 PHH	<a href="#">107843</a>	89,90 €	86	Float chamber valve, M12 fits Solex	<a href="#">107080</a>	39,84 €
86	Float chamber needle valve ring	<a href="#">107067</a>	1,57 €	87	Idling jet 55	<a href="#">107073</a>	10,29 €
87	Idling jet size 50 (190SL early)	<a href="#">107072</a>	7,53 €	88	Idle mixture control screw, Solex carb.	<a href="#">107032</a>	5,40 €
92	Air correct.jet (1st channel)	<a href="#">107091</a>	10,92 €	93	Air correct.jet (2st channel)	<a href="#">107089</a>	11,04 €
96	Seal ring at carb.	<a href="#">107059</a>	0,12 €	97	Acc. jet tube	<a href="#">107071</a>	75,99 €
101	Seal ring at carburetor valve	<a href="#">107088</a>	2,69 €	102	Hollowscrew M6 x 0,75 x 15, carb. drain pipe	<a href="#">107027</a>	10,95 €
105	Main jet,size130(1st channel)	<a href="#">107066</a>	16,09 €	105	Main nozzle 120, 1st	<a href="#">107062</a>	19,52 €
105	Main nozzle 115, 1st	<a href="#">107064</a>	4,99 €	106	Main nozzle 160, 2nd	<a href="#">107065</a>	6,55 €
107	Seal ring	<a href="#">107069</a>	1,80 €	112	Vacuum hose	<a href="#">107096</a>	6,66 €
126	Sprayer tube 1st / 2nd	<a href="#">107126</a>	172,55 €	129	Hex nut M6, yellow zinc.	<a href="#">181023</a>	0,18 €

## 09 Air Intake and Fuel Pump

### 09.a Air Intake and Fuel Pump

09.a Air Intake and Fuel Pump



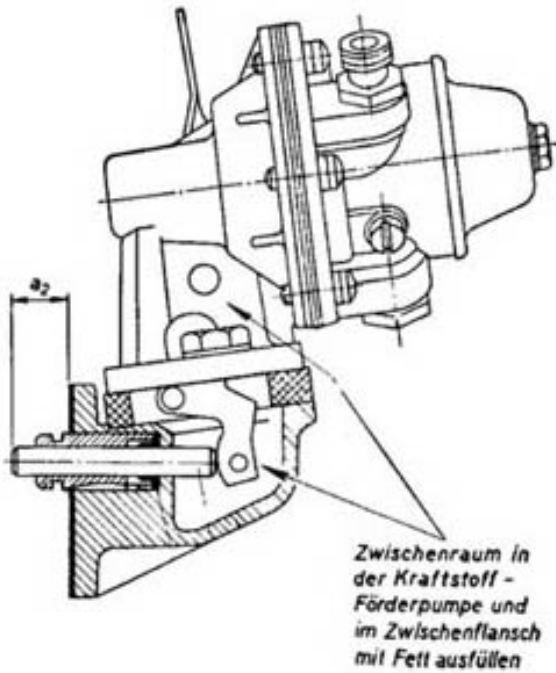
Intake manifold and carburetor housings are injection molded (previously sand cast) from engine number ..921-5500709 (09.'55); as identification marks please check the form of the channel seals 7 + 8 in the picture. If the collection tube and filter housing have not been installed or have been newly installed, the reason could be a previous installation of Weber carburetors. In this matter, check that the surrounding parts (support no. 9, fuel lines, suction ducts with duct transition) are considering the new situation.

	1m cooling water hose 12/19mm	<a href="#">250823</a>	7,14 €		Gasket at crankcase, 190SL, M110	<a href="#">109804</a>	2,25 €
1b	air filter insert 190SL	<a href="#">114400</a>	21,00 €	1	early, Air filter unit 190SL complete, Repro	<a href="#">114620</a>	1.142,96 €
2a	Lock f.filterbox, flat spring	<a href="#">314825</a>	9,98 €	2a	cotter pin 3 x 28, fits 314025 ...	<a href="#">314029</a>	0,32 €
2	Rubber seal ring, filter bucket	<a href="#">109025</a>	15,35 €	3	Air filter intake snout	<a href="#">114610</a>	94,22 €
4	Air filter pad 190SL	<a href="#">109020</a>	27,19 €	5	Air hose to intake manifold	<a href="#">109880</a>	72,59 €
5	Clamp, air hose	<a href="#">209004</a>	2,77 €	5	product replaced: Lock / winding clip for 9mm strap	<a href="#">109035</a>	2,09 €
5	1m metal strip, 9mm clamp	<a href="#">109030</a>	4,00 €	5	Air hose to intake manifold	<a href="#">109800</a>	94,80 €
6	Air intake tube,(except'55) Repro	<a href="#">109100</a>	1.100,75 €	6a	Air tube -> M5500708, reconditioned	<a href="#">109102</a>	1.499,00 €
7	Gasket air tube to carb.->55	<a href="#">109743</a>	8,33 €	7	Gasket air tube to carb.->55	<a href="#">109043</a>	9,13 €
8	Gasket, air tube '56->	<a href="#">109245</a>	3,49 €	8	Gasket for air tube   1956->	<a href="#">109045</a>	5,00 €
9	Carburetor support	<a href="#">109105</a>	35,71 €	10	retainer shim, div. M8 mounts	<a href="#">109107</a>	3,19 €
12	Metal tube	<a href="#">199024</a>	9,57 €	13	9mm Spacer, from Eng# 8501730	<a href="#">109106</a>	11,54 €
15	Screw M6x18 e.g. Filter box	<a href="#">109024</a>	0,38 €	16a	Bracket,.921 air tube strut 8501731->	<a href="#">101072</a>	36,03 €
16a	Bracket,.928 air tube strut	<a href="#">101073</a>	51,23 €	16	Bracket,.921 air tube strut ->8501731	<a href="#">101071</a>	15,10 €

17	Washer on carburettor flange	<a href="#">107013</a>	3,99 €	18	Rubber flange, carburetor to manifolds	<a href="#">107711</a>	7,09 €
18	Rubber flange w. metal insert	<a href="#">107811</a>	84,17 €	20	Spacer sleeve on carburettor flange	<a href="#">107012</a>	5,99 €
22	Intake manifold 190 SL	<a href="#">114900</a>	919,99 €	23	Threaded fitting e.g. air manifold	<a href="#">114030</a>	39,76 €
24	Alu ring 22mm	<a href="#">199924</a>	0,60 €	25	Plug screw M22 with collar	<a href="#">114035</a>	24,61 €
27	Plug screw M24 conical, no collar	<a href="#">114025</a>	8,98 €	28	Threaded fitting, intake channel	<a href="#">114020</a>	28,19 €
29	Water return pipe, intake to pump	<a href="#">114045</a>	49,36 €	30	Fixing ring f. sync-breather pipe	<a href="#">114026</a>	7,12 €
31	Screw fitting	<a href="#">114027</a>	14,88 €	32	Metal tube, carb-air/vac line	<a href="#">114028</a>	7,35 €
33	Plug screw M18 conical, no collar	<a href="#">114031</a>	12,79 €	34	Screw nipple for ATE booster	<a href="#">114032</a>	25,59 €
35	Exh-/Intake gasket ELRING	<a href="#">114000</a>	10,89 €	36	Nut, M10, exh manifold	<a href="#">114008</a>	1,25 €
37	Washers, e.g. exh.manifold->head	<a href="#">114007</a>	9,98 €	45	Fuel line, pump to carbs,REPRO, fits Solex+109090	<a href="#">107009</a>	249,90 €
46a	Overflow pipe, end	<a href="#">107847</a>	32,49 €	46	Overflow pipe late, Repro	<a href="#">107108</a>	164,99 €
46a	Overflow pipe, end	<a href="#">107047</a>	36,77 €	47	Mounting clamp	<a href="#">107044</a>	9,75 €
48	Clamp at thermostat	<a href="#">107053</a>	13,20 €	49	1m fuel hose ID 7,5mm, surface(outer) fabric	<a href="#">947046</a>	4,99 €
49	1m. Fuel hose 7,5x13,0 flat surface	<a href="#">247007</a>	8,50 €	51	Carburetor drain pipe	<a href="#">107024</a>	163,20 €
52	Hollowscrew M6 x 0,75 x 15, carb. drain pipe	<a href="#">107027</a>	10,95 €	53	Seal ring at carb.	<a href="#">107059</a>	0,12 €
55	Clamp, fuel line 10mm diam.	<a href="#">107038</a>	47,66 €	63	Threaded fitting, fuel pump, M12/M14	<a href="#">109011</a>	25,57 €
63	screw-in fitting,fuel hose connection, M12X1,5 8mm diam.	<a href="#">409012</a>	6,19 €	64	Seal ring at threaded fitting	<a href="#">107097</a>	0,52 €
65a	Mech. fuel pump, engines with no drive flange	<a href="#">509092</a>	70,50 €	65	Fuel pump, as original with primer lever with gasket(s)	<a href="#">109090</a>	308,88 €
65a	Fuel pump similar 509190, but labelled "Pierburg"	<a href="#">509090</a>	97,28 €	66	spring ring for M5 head screws	<a href="#">199041</a>	0,10 €
66	Repair Kit Fuel Pump   A0005860009	<a href="#">109010</a>	93,91 €	67	hex. socket head cap screw, zinc plated, M8 X 28	<a href="#">109008</a>	1,99 €
67	Insulating flange, e.g @ fuel pump	<a href="#">109001</a>	8,32 €	68	Gasket, fuel pump to insul.flange	<a href="#">109002</a>	1,88 €
70	hidden seal, f/p flange	<a href="#">109005</a>	5,95 €	73	Gasket at crankcase, 190SL, M110 early,	<a href="#">109004</a>	0,51 €

## 09.b Comment Fuel Pump

09.b Comment Fuel Pump



## Orig.-Pumpe mit Handhebel

**Durch Umbau sind häufig kleinere Nachrüst-Pumpen vorzufinden, teils mit geänderten Leitungsanschlüssen !**

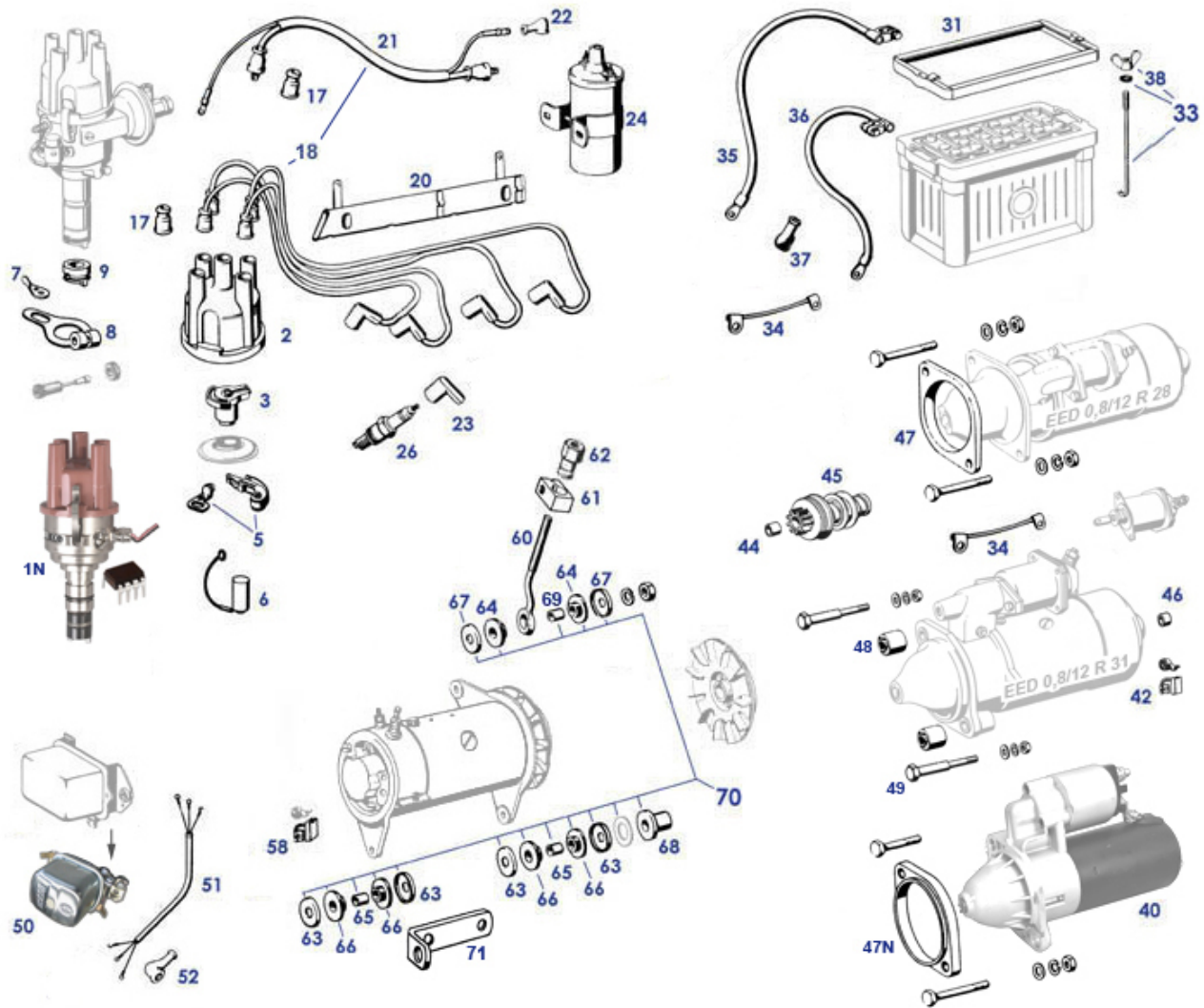
This type of pump corresponds to the 190SL original equipment, but can be replaced by mechanical pumps from the free market. Frequently: retrofitted additional filters in the pressure line. When retrofitting, please check the connections of the suction and discharge lines, the reserve cock and the ram flange. The position of suction / pressure connection can be rotated by re-assembling the upper pump housing shell. Depending on the speed, intact pumps can provide an output of approx. 0.15 bar (starting speed) up to 0.3 bar and 35 ltr / h (up to 70 ltr / h at high speeds). Adjacent to dimension a2, the required clearance from 0,4 - 0,5mm results as a difference to the cam base circle in the motor, please check. The diaphragm hole circle of 70mm is a recognition mark for the compatibility (pump SLS 109090, rep. Set SLS 109010) Contemporary retrofits were also made by electric pumps, possibly with the omission of the reserve cock and in conjunction with Weber carburetors.

pump	Insulating flange, e.g @ fuel pump	<a href="#">109001</a>	8,32 €	pump	Gasket, fuel pump to insul.flange	<a href="#">109002</a>	1,88 €
pump	Gasket at crankcase, 190SL, M110 early,	<a href="#">109004</a>	0,51 €	pump	hidden seal, f/p flange	<a href="#">109005</a>	5,95 €
pump	Repair Kit Fuel Pump   A0005860009	<a href="#">109010</a>	93,91 €	pump	Threaded fitting, fuel pump, M12/M14	<a href="#">109011</a>	25,57 €
pump	Fuel pump, as original with primer lever with gasket(sls)	<a href="#">109090</a>	308,88 €		Gasket at crankcase, 190SL, M110 early,	<a href="#">109804</a>	2,25 €

## 15 Electric Equipment (Engine)

### 15 Electric-Equipment (Engine)

15 Electric-Equipment (Engine)



	Ignition Coil "Pertronix Flamethrower-I"	<a href="#">554702</a>	152,32 €		Plug hsg.Regulator, 3xflat	<a href="#">254080</a>	7,28 €
	hex nut M12 X 1,5 zinc plated	<a href="#">235229</a>	0,65 €		Locking ring M10	<a href="#">299328</a>	0,38 €
	Wire bushing with threaded pin	<a href="#">515999</a>	2,25 €		hex nut M12 X 1,5 zinc plated class 10	<a href="#">233046</a>	1,58 €
	hex nut M10 (hex17), hot zined	<a href="#">199148</a>	0,57 €		Bolt M12 x 80, e.g. Starters up to 1957	<a href="#">115044</a>	2,06 €
	hex.head bolt grade 8.8 M12 X 75 zinc plated	<a href="#">115248</a>	2,01 €		hex. head bolt grade8.8 yellow zinc plated M12X90	<a href="#">115249</a>	2,33 €
	M12 DIN 127 lock washer	<a href="#">233042</a>	0,39 €		Starter overhauled, 190SL, used original required in advance	<a href="#">115200</a>	737,80 €
	Shim eg.generator bracket frt	<a href="#">115013</a>	4,59 €	1N	Conversion kit Ignitor-II, 190SL VJ/VJR/VJUR 4BR	<a href="#">115703</a>	535,50 €
1N	1-2-3 Ignition Distributor fits 190SL	<a href="#">115801</a>	317,79 €	1N	1-2-3 Ignition Distributor fits multiple 4 Cyl. models	<a href="#">515801</a>	355,00 €
2	Distributor cap from 5500937 to 024547, Bosch	<a href="#">115006</a>	98,19 €	2	Cap, fits Alu repl-distributor	<a href="#">115035</a>	42,00 €
2	distributor cap	<a href="#">115005</a>	79,90 €	2	Distrib.cap 5500937->024547, phn.resin	<a href="#">115025</a>	37,39 €
3	Rotor distr.,Beru, 190SL, R113 "iron cast distr"	<a href="#">115004</a>	20,75 €	3	Distributor rotor button	<a href="#">115024</a>	18,80 €
3	Rotor distr.,Bosch, 190SL, R113 "iron cast distr"	<a href="#">215804</a>	59,99 €	3	Distributor rotor, phenolic resin	<a href="#">115026</a>	16,91 €
5	Pointerset,eg190SL from 024548	<a href="#">115009</a>	84,14 €	5	Pointer set 190SL from 024548,	<a href="#">115809</a>	58,42 €

5	VJR4BR29 Cont.b.set, 230-280SL 'G'	<a href="#">215003</a>	22,49 €	5	Bosch NOS Point set for Dist. 5500905 to Q24548	<a href="#">115001</a>	14,99 €
6	Capacitor w/o bracket, BERU	<a href="#">215807</a>	12,99 €	6	Condenser f.'Alu' w.no1-lead	<a href="#">215037</a>	27,49 €
6	Capacitor 190SL, 113-"G" (iron dist)	<a href="#">215007</a>	8,15 €	6	Condenser, early w. bracket	<a href="#">115008</a>	9,50 €
7	Eccentric adjuster	<a href="#">115074</a>	44,39 €	8	Distance ring	<a href="#">115077</a>	3,89 €
8	Adj. flange R4+R6 1958-1968	<a href="#">115073</a>	31,32 €	9	Distributor drive dog incl pin+spring	<a href="#">215036</a>	24,81 €
17	Silicone ign lead, 1m	<a href="#">215116</a>	9,22 €	17	Prot.sleeve ign.leads -> distributor	<a href="#">215815</a>	2,73 €
18	rubber cap ID 11mm eg spark plug connectors	<a href="#">515998</a>	0,87 €	18	Ign.wire kit 190SL,180.'Dowal+BO'	<a href="#">115101</a>	118,44 €
18	Ign.lead set 180-190b,c,SL, late1KOhm	<a href="#">115102</a>	127,33 €	20	Metal tube for ign leads	<a href="#">115110</a>	70,46 €
20	Spring washer, fits M6	<a href="#">181028</a>	0,18 €	20	Hex Bolt M6 x 10 yellow zincd	<a href="#">299997</a>	0,35 €
21	Cable set, coil/distributor	<a href="#">115050</a>	45,82 €	23	Spark plug connector, 1kOhm, angled, Bakelite	<a href="#">115056</a>	18,56 €
24	Ignition coil, late 190SL, others, Beru	<a href="#">115702</a>	49,98 €	24	Ignition Coil "Pertronix Flamethrower-II"	<a href="#">554711</a>	138,64 €
24	Ignition coil, late 190SL, others, NGK	<a href="#">115602</a>	90,90 €	24	Ignition coil, late 190SL, others, Bosch, can be replaced in	<a href="#">115002</a>	69,95 €
26	Spark plug, NGK BP7ES	<a href="#">215019</a>	3,87 €	31	Battery hold down frame	<a href="#">154075</a>	73,90 €
33	1x Hold down screw + wing nut	<a href="#">154086</a>	7,97 €	34	Starter ground cable to clutch housing	<a href="#">154006</a>	36,99 €
34	Ground wire, starter flange -> firewall	<a href="#">154107</a>	43,99 €	35	Neg.-batterie cable	<a href="#">154598</a>	83,90 €
36	Starter wire (+)	<a href="#">154599</a>	105,90 €	37	Rubber Boot on Starter Motor and Alternator	<a href="#">254126</a>	7,16 €
37	Cap, starter terminal	<a href="#">154056</a>	5,71 €	37	Rubber cap, starter wire, small	<a href="#">754026</a>	6,14 €
38	Wing nut, M6 yellow zincd, batt.support, pws tank, ..	<a href="#">154089</a>	2,55 €	40	Starter, fits 190SL *, modern style	<a href="#">115800</a>	369,50 €
44	Bushing, starter, d12,5xD16,5xL14	<a href="#">115031</a>	8,95 €	45	Starter drive gear 190SL, no name	<a href="#">115830</a>	249,50 €
46	Bushing, starter, d12,5xD16,5xL11,5	<a href="#">115032</a>	3,40 €	47	Spacer ring for FN starters, see picture, D10mm	<a href="#">115045</a>	174,73 €
48	Silent bushing, fits Bosch starter 57-63	<a href="#">115046</a>	66,02 €	49	Bolt, starter .921	<a href="#">115049</a>	16,01 €
50	co-current flow regulator 14V 30A	<a href="#">415066</a>	319,99 €	50	Regulator 14V/11Amps (130W) Bosch, elektr.	<a href="#">415065</a>	225,00 €
50	Regulator for 20A DC Generators, 190SL, Repro	<a href="#">115766</a>	261,80 €	51	Generator to V-reg. harness	<a href="#">154008</a>	62,00 €
52	Rubber dust boot (at Gen. .)	<a href="#">254051</a>	3,25 €	58	Set of 2 carbon brushes, generator	<a href="#">115814</a>	9,59 €
60	Generator tensioning screw, late LHD (large eye)	<a href="#">115023</a>	191,24 €	60	LHD-Generator tensioner bolt ->M015137	<a href="#">115042</a>	170,00 €
61	Clamping block, generator belt adjuster	<a href="#">115022</a>	23,92 €	62	Tightening nut @ tensioner M8 hex17	<a href="#">115059</a>	11,31 €
63	retainer shim, div. M8 mounts	<a href="#">109107</a>	3,19 €	64	Rubber spacer, generator supp, 190late	<a href="#">115819</a>	4,26 €
65	Metal tube	<a href="#">199024</a>	9,57 €	66	Rubber bushing, e.g. generator->rod	<a href="#">115817</a>	1,75 €
67	Retainer e.g. Generator bolt late	<a href="#">115093</a>	5,02 €	68	Spacer sleeve 25.5mm	<a href="#">115038</a>	19,11 €
69	Bushing eg.generator bracket	<a href="#">115040</a>	6,66 €	69	Bushing eg.generator bracket	<a href="#">115041</a>	5,59 €
71	Support, generator, LHD	<a href="#">115057</a>	30,13 €	115244	Parts kit starter mount '55-'57, "EED... 28"	<a href="#">115244</a>	80,28 €
115246	Parts kit starter mounting "modernized"	<a href="#">115246</a>	129,10 €	215012	Dust cover, inside distributor	<a href="#">215012</a>	8,50 €

## 15.i Info Spark Plugs

### 15.i Info Spark Plugs

**Die Kerzentypen Bosch W5... bis W8... können Sie bei uns bestellen, wie auch die NGK BP8... bis BP5...**

Die Tabellen zeigen Auszüge aus den Hersteller-Empfehlungen. Ein Ausweichen auf einen "benachbarten" Wärmewert-Index kann sinnvoll sein, je nach Einsatzbedingungen und Zustand von Motoren.  
Bosch: Hohe Kennziffer = heiße Kerze = schnelles Fröhrennen  
niedrige Kennziffer = kalte Kerze = geringe Gefahr von Glühzündung  
NGK: u m g e k e h r t

200 (Typ 115)	01.68-01.77	W 6 DC	0,8
200 (Typ 123) Mot. M 102	06.80--	H 7 DC	0,8
200 (Typ 123) Mot. M 115	02.76-07.80	W 7 DC	0,8
220 (Typ 115)	01.68-01.77	W 6 DC	0,8
220 (Typ 115) 4 Zyl	08.71-07.73 USA	W 7 DC	0,8
230 (Typ 114) 6 Zyl	01.68-11.76	W 6 DC	0,7
230 (Typ 115) 4 Zyl	08.73-12.76	W 6 DC	0,8
230 (Typ 123) Mot. M 102 K-Jetronic	02.72-08.74 USA	W 7 DC	0,8
230 (Typ 123) Mot. M 115	09.74-09.76 USA	W 6 DC	0,7
230 G	09.76-08.78 USA	W 8 DC	0,8
230 (Typ 114) Mot. 114	03.79--	W 7 DC	0,8
250 (Typ 114) Mot. 130	07.72-11.76	W 6 DC	0,8
250 (Typ 123)	01.68-08.71 USA	W 6 DC	0,6
280 (Typ 108)	02.76--	W 6 DC	0,7
280 (Typ 108, 111) Einzyl.	01.68-08.71 USA	W 5 DC	0,7
280 (Typ 108, 111) 3,5 Ltr.	09.71-08.72 USA	W 7 DC	0,6
280 (Typ 114)	06.72-02.77	W 6 DC	0,8
280 (Typ 114) D-Jetronic	09.72-08.74 USA	W 7 DC	0,6
280 (Typ 114) D-Jetronic	09.74-09.76 USA	W 6 DC	0,7
280 (Typ 118) K-Jetronic	06.72-01.77	W 6 DC	0,8
280 (Typ 118) USA	09.74-09.76 USA	W 8 DC	0,8
280 (Typ 118) 156 PS	01.76--	W 7 DC	0,8
280 (Typ 118) 160 PS	08.72-12.75	W 7 DC	0,8
280 (Typ 123)	08.76--	USA	0,8
280 (Typ 126)	12.75--	USA	0,8
280 SL (Typ 113)	01.68-03.71	W 5 DC	0,7
280 SL SLC (Typ 107) D-Jetronic	08.74-09.76 NV	W 6 DC	0,8
280 SL SLC (Typ 107) K-Jetronic	06.76--	W 7 DC	0,8
300 (Typ 109) Mot. 130	01.68-08.72	W 5 DC	0,7
300 (Typ 109) 3,5 Ltr.	01.70-01.72	W 6 DC	0,7
300 (Typ 109) 4,5 Ltr.	09.71-08.72 USA	W 7 DC	0,6
300 (Typ 109) 5,3 Ltr.	08.68-08.72	W 7 DC	0,6
300 (Typ 118) D-Jetronic	08.72-02.76 NV	W 6 DC	0,8
300 (Typ 118) K-Jetronic	08.72-02.76 NV	W 7 DC	0,8
300 SL SLC (Typ 107) D-Jetronic	05.71-02.76 XIP	W 6 DC	0,8
300 SL SLC (Typ 107) K-Jetronic	03.76--	W 7 DC	0,8
380 (Typ 126)	12.79--	USA	0,8
380 SL SLC (Typ 107)	07.80--	USA	0,8
450 (Typ 116) D-Jetronic	01.73-11.75	W 6 DC	0,8
450 (Typ 116) K-Jetronic	01.73-11.75 NV	W 7 DC	0,8
450 (Typ 116) 6,9 Ltr.	09.75--	USA	0,8
450 SL SLC (Typ 107) D-Jetronic	01.73-11.75 NV	W 6 DC	0,8
450 SL SLC (Typ 107) K-Jetronic	09.71-08.74 USA	W 7 DC	0,8
500 (Typ 126)	09.74-09.76 USA	W 8 DC	0,7
500 SL SLC (Typ 107)	12.75--	USA	0,8
600 (Typ 100)	09.64--	USA	0,8
600 (Typ 100)	09.64-08.72 USA	W 7 DC	0,6

Quelle: Bosch 1981/1982

Quelle: NGK 2006

170 S	(0170)	1.7 20	05.1940-10.1956	M 136.922	4	0,6	BRH
170 SV	(130)	1.7 33	1953- 1955		4	0,6	BRH
170 V	(130)	1.7 28	1947- 1950		4	0,6	BAL
170 V	(0170)	1.7 33	06.1946-05.1962	M 136.920	4	0,6	BRH
180	(120)	1.8 40	01.1953- 1962	M 121.8 V / 121.823	4	0,6	BRH
180	(0120)	1.8 48	07.1953-12.1962	M 136.925	4	0,6	BRH
190	(121)	1.9 55	1959- 1960	M 121.821 B / Vedette 1.5	4	0,7	BRH
190	(121)	1.9 55	1953- 1962	M 121.821 B / Vedette 1.5	4	0,6	BRH
190 E	(201)	2.0 90	10.1982-08.1985	M 102.901/902	4	0,8	BRH
190 SL	(121)	1.9 77	01.1955- 1962	M 121.821	4	0,8	BRH
190 SL	(121)	1.9 55	1953- 1962	M 121.821	4	0,8	BRH
200	(118)	2.0 70	08.1945-12.1967		4	0,8	BRH
200	(122)	2.0 74	06.1980-11.1980	M 115.938/939	4	0,7	BRH
200 (R)	(112)	2.0 63	01.1983-01.1971	M 102.920/926	4	0,8	BRH
200 „Jackhammer“	(118)	2.0 70	07.1965-02.1968		4	0,8	BRH
210	(102)	2.2 63	1955- 1959	M 115.955/972	4	0,7	BRH
220 (R)	(115)	2.2 66	01.1968-01.1973	M 115.920/924	4	0,7	BRH
220 a	(88)	2.2 63	01.1954-12.1954	M 180.921	6	0,6	BRH
220 b	(111)	2.2 70	08.1959-08.1965	M 180.940	6	0,7	BRH
220 SE	(111)	2.2 86	1959- 1965	M 127.982	6	0,8	BRH
220 SB	(111)	2.2 81	08.1959-08.1965	M 180.949/941	6	0,7	BRH
220 SE	(128)	2.2 85	01.1958-08.1959	M 127.980	6	0,8	BRH
220 SEB	(111)	2.2 86	1959- 1965	M 127.982	6	0,8	BRH
220 SEB Coupe	(111)	2.2 88	1961- 1965	M 127.982	6	0,8	BRH
220 SEB Cabrio	(111)	2.2 88	1961- 1965	M 127.982	6	0,8	BRH
230	(119)	2.3 88	01.1958-07.1962	M 180	6	0,8	BRH
230	(119)	2.3 87	08.1965- 1966		6	0,8	BRH
230	(123)	2.3 80	02.1976-03.1981	M 115.954	4	0,7	BRH
230 ECCE	(123)	2.3 100	04.1980-12.1985	M 102.980	4	0,8	BRH
230 E	(123)	2.3 80	04.1980-12.1985	M 102.980	4	0,8	BRH
230 G	(463)	2.3 66	03.1979-07.1983	M 115.973	4	0,7	BRH
230 GE	(463)	2.3 82	04.1982-08.1992	M 102.981	4	0,8	BRH
230 S	(111)	2.3 86	08.1965-02.1966	M 180.947/950	6	0,8	BRH
230 SL „Papier“	(113)	2.3 110	01.1943-01.1951	M 127.981	4	0,8	BRH
230.4 (R)	(113)	2.3 81	08.1973-12.1974	M 115.951	4	0,7	BRH
230.6 (R)	(114)	2.3 88	01.1968-11.1970	M 180.954/955	6	0,8	BRH
250	(146)	2.5 96	1967- 1970	M 114	6	0,8	BRH
250	(123)	2.5 95	02.1976-07.1985	M 123.920/921	4	0,7	BRH
250 (R)	(114)	2.5 96	06.1972-11.1976	M 130.923/923	6	0,7	BRH
250 (R)	(114)	2.5 96	01.1968-01.1971	M 114.920/923	6	0,7	BRH
250 (R/W114)	(114)	2.5 96	06.1972-11.1976	M 130.923	6	0,7	BRH
250 C	(114)	2.5 96	1968- 1973	M 114.920	6	0,8	BRH
250 CE	(114)	2.5 110	1968- 1972	M 114.930	6	0,8	BRH
250 S	(109)	2.5 96	08.1965- 1969	M 129.980	6	0,8	BRH
250 SE	(109)	2.5 110	08.1965- 1968	M 129.980	6	0,8	BRH
250 SE	(111)	2.5 110	08.1965- 1967	M 129.980/981	6	0,8	BRH
250 SL	(113)	2.5 100	01.1966-08.1966	M 129.982	6	0,8	BRH
250 SL „Papier“	(113)	2.5 110	02.1976-08.1981	M 110.923	6	0,7	BRH
280	(123)	2.8 115	02.1976-07.1985	M 110.923	6	0,7	BRH
280 (R)	(114)	2.8 118	06.1972-11.1976	M 110.921/921	6	0,7	BRH
280 C (R/W114)	(114)	2.8 118	06.1972-02.1977	M 110.921	6	0,7	BRH
280 SE (R/W114)	(114)	2.8 136	06.1972-02.1977	M 110.981	6	0,8	BRH
280 E	(123)	2.8 130	02.1976-11.1985	M 110.984/988	6	0,8	BRH
280 E (R)	(114)	2.8 136	06.1972-11.1976	M 110.981/991	6	0,7	BRH
280 S	(109)	2.8 105	10.1967-01.1972	M 102.920/921	6	0,8	BRH
280 S	(118)	2.8 115	01.1976-12.1979	M 110.922	6	0,7	BRH
280 S	(128)	2.8 115	12.1979-07.1985	M 110.924/926	6	0,7	BRH
280 SE (W111)	(111)	2.8 147	01.1969-02.1971	M 116.980	8	0,8	BRH
280 SE	(111)	2.8 118	01.1968- 1971	M 130.980	6	0,8	BRH
280 SESEL	(108)	2.8 118	01.1968-08.1972	M 130.980/924	6	0,8	BRH
280 SESEL	(118)	2.8 130	08.1976-07.1980	M 110.985	6	0,7	BRH
280 SESEL	(118)	2.8 136	08.1972-02.1980	M 110.983	6	0,8	BRH
280 SESEL	(128)	2.8 136	10.1979-07.1985	M 110.987/989	6	0,7	BRH
280 SESEL 3.5	(108)	3.5 147	01.1968-08.1972	M 116.980/990	8	0,8	BRH
280 SL	(107)	2.8 130	08.1970-07.1980	M 110.982/989	6	0,7	BRH
280 SL „Papier“	(113)	2.8 125	01.1968-03.1971	M 130.983	6	0,8	BRH
280 SL	(107)	2.8 130	08.1976-08.1981	M 110.982/986	6	0,8	BRH
300 D Admaner	(186)	3.0 118	04.1951- 1962		6	0,8	BRH
300 E	(124)	3.0 130	01.1965-08.1965	M 103.980	6	0,8	BRH
300 SE	(112)	3.0 118	09.1961- 1965	M 188.984/985	6	0,8	BRH
300 SE Coupe	(109)	3.0 125	08.1965- 1967		6	0,8	BRH
300 SESEL	(109)	3.0 125	08.1965- 1967		6	0,8	BRH
300 SEL	(109)	3.0 125	1967- 1970	M 130	6	0,6	BRH
300 SEL	(109)	3.5 147	01.1970-07.1972	M 116.981	8	0,7	BRH
300 SEL 3.0	(108)	3.5 118	03.1971-06.1972	M 130.981	8	0,8	BRH
300 SEL 6.3	(108)	6.3 164	03.1968-08.1972	M 100.981	8	0,7	BRH
300 SL Coupe (Flügelbau)	(186)	3.0 118	1954- 1957		6	0,8	BRH
300 SL Roadster	(196)	3.0 150	03.1957-02.1963	M 98.980	6	0,8	BRH
300	(108)	3.0 80	01.1976-08.1982	M 115.955/972	4	0,7	BRH
350 SESEL	(118)	3.5 143	03.1976-03.1980	M 116.985	8	0,7	BRH
350 SESEL	(118)	3.5 147	08.1972-02.1976	M 116.983	8	0,7	BRH
350 SL/SLC	(107)	3.5 144	03.1976-02.1980	M 116.982/984	8	0,7	BRH
380	(128)	3.8 150	12.1978-08.1985	M 116.981/983	8	0,7	BRH
380 SL/SLC	(107)	3.8 160	07.1980-08.1985	M 116.980/982	8	0,7	BRH
400	(128)	4.0 160	01.1975-08.1982	M 115...	4	0,7	BRH
450 SESEL	(118)	4.5 161	12.1975-04.1980	M 117.985	8	0,7	BRH
450 SESEL	(118)	4.5 161	08.1972-07.1980	M 117.983	8	0,7	BRH
450 SL	(107)	4.5 161	08.1975-10.1980	M 117.982/985	8	0,7	BRH
450 SLC	(107)	4.5 161	08.1975-10.1980	M 117.982/985	8	0,7	BRH
450 SLC 5.0	(107)	5.0 177	06.1978-02.1980	M 117.980	8	0,7	BRH
500 SLC	(107)	5.0 177	03.1980-08.1981	M 117.980	8	0,7	BRH
600	(106)	6.0 184	09.1954-01.1979	M 100.980	8	0,7	BRH

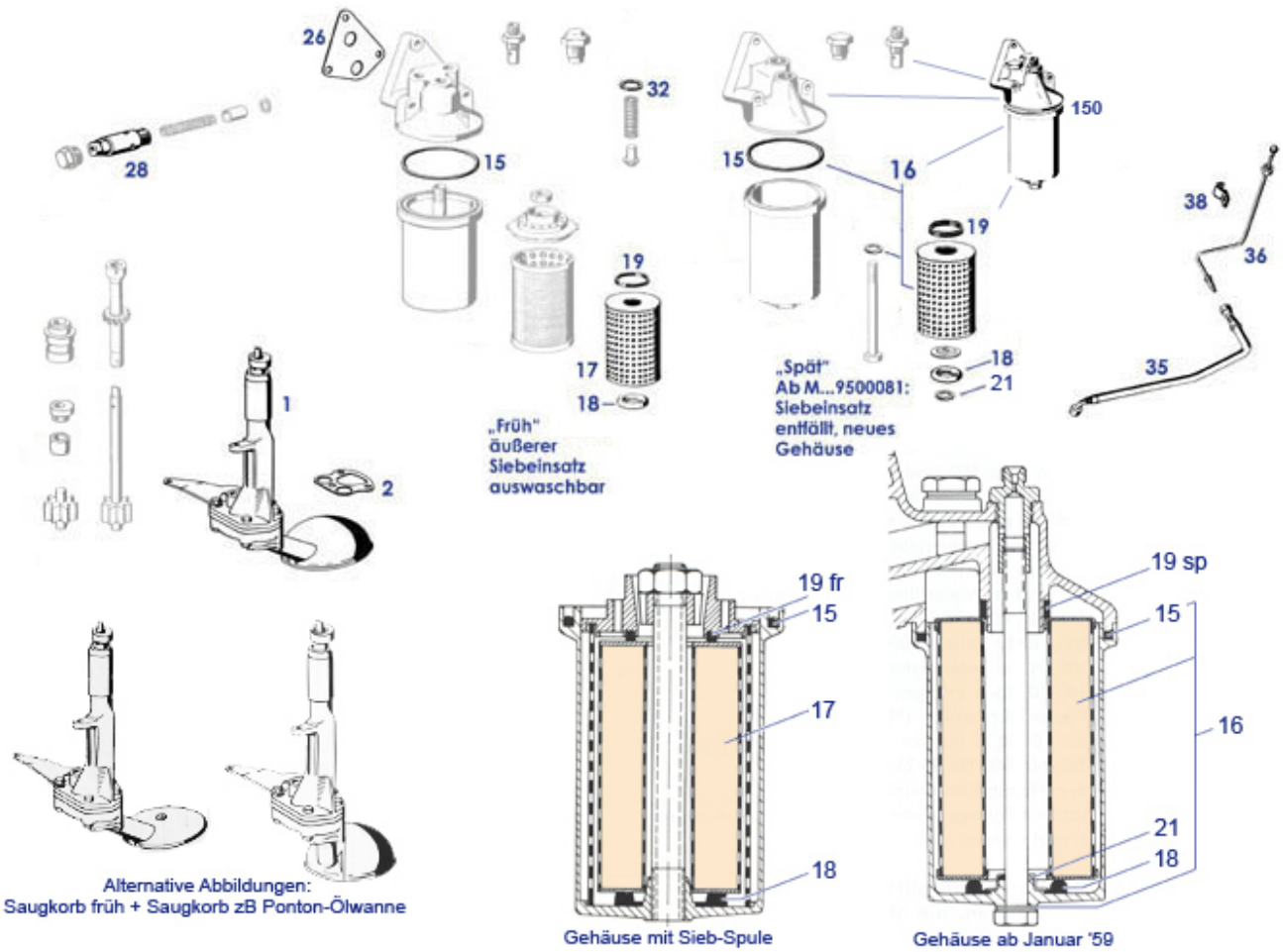
The tablet shows parts of the manufacture references. An evasion to neighbor heat range can be made, it belongs to the conditions of use and the engine itself. Bosch: high code number = hot sparkplug = fast burn Bosch: low code number = cold sparkplug = low risk of glow ignition  
NGK: R E V E R S E

215018ff	Spark plug, NGK,	<a href="#">215018</a>	3,99 €	215018ff	Spark plug, NGK BP7ES	<a href="#">215019</a>	3,87 €
215018ff	Sparkplug Bosch W7DC	<a href="#">215917</a>	6,09 €	215018ff	Spark plug Bosch W6DC	<a href="#">215918</a>	5,70 €
215018ff	Spark plug Bosch WR5DC	<a href="#">215919</a>	5,39 €	215018ff	S'plugs M110,116,117 K-Jetr.	<a href="#">715218</a>	5,11 €
215018ff	Spark plug BOSCH WR8-DC+, K-Jet late	<a href="#">715219</a>	5,16 €	215018ff	Spark plug Bosch HR8 DC +, e.g. 300SL/107 Euro	<a href="#">715220</a>	4,91 €



# 18 Lubrication (Engine)

18 Lubrication (Engine)



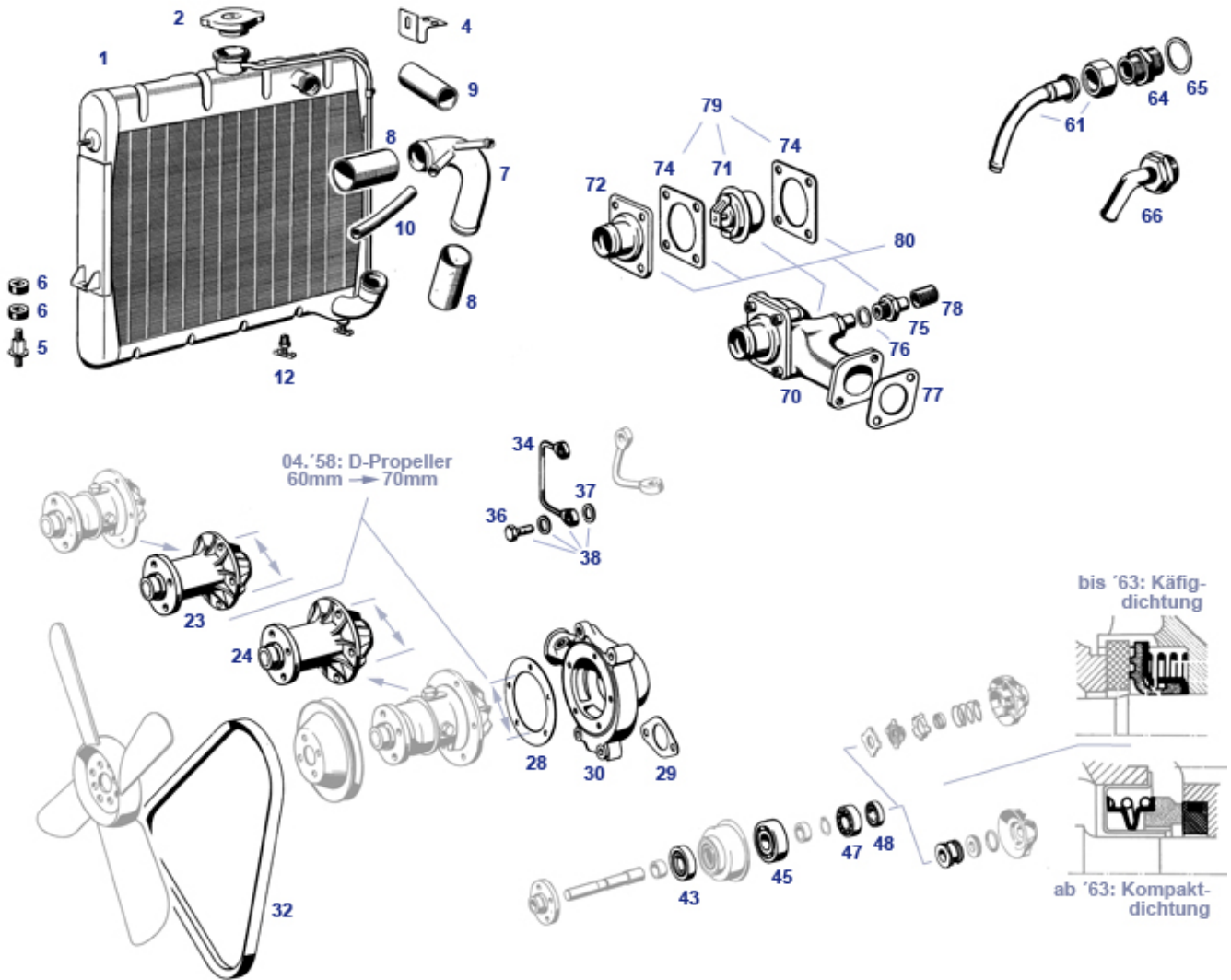
Filter image on the left: early version, on the vehicle recognizable on the steel plate pot.

	A1800500506   Sprocket shaft	<a href="#">105038</a>	339,80 €		Plug screw M24 e.g. pressure valve	<a href="#">218816</a>	29,75 €
	hex socket head cap screw M8 X 75	<a href="#">118013</a>	1,50 €		InHex bolt 12.9, M8x30, sump, ...	<a href="#">118018</a>	2,05 €
	Oil strainer->59	<a href="#">118041</a>	148,51 €		A1801500107 Distributor drive bushing	<a href="#">105039</a>	136,85 €
1	Oil pump, fits 190SL, FEBI, late snorkel required	<a href="#">118806</a>	681,99 €	2	Gasket,oil pump housing	<a href="#">118005</a>	14,28 €
11	A0001849701 Oilfilter w, hsg. M021750->	<a href="#">118050</a>	327,25 €	12	Housing for Oilfilter (lower part, flat bottom)	<a href="#">118070</a>	248,70 €
15	Ring, sealing, filter/housing	<a href="#">118009</a>	1,24 €	16	Oil filter incl. gasket, 1959-> "MANN"	<a href="#">118042</a>	13,69 €
16	Oil filter 190 SL, 230-280 SL; No Name	<a href="#">118842</a>	4,99 €	17	Oil filter ->12.'58 "Micronic"	<a href="#">118040</a>	13,88 €
18	Ring, pressure, in hsg., lower	<a href="#">118045</a>	5,57 €	19fr	Rubber ring, oil filter upper	<a href="#">118044</a>	5,32 €
19sp	Ring, filter housg, upper	<a href="#">118043</a>	2,48 €	21	Seal ring, housing bolt	<a href="#">118046</a>	1,43 €
26	Gasket, upr.filter hsg./engine	<a href="#">118008</a>	1,69 €	32	Seal ring 18x22 Al	<a href="#">109019</a>	0,94 €
35	Hose,eng.to gauge-pipe,late M10-M8 445m	<a href="#">154059</a>	49,40 €	36	Oil pipe RHD ->59 M10	<a href="#">154062</a>	105,73 €
36	Oil pipe LHD ->59 M10	<a href="#">154064</a>	77,98 €	36	Oil pipe LHD 59-> M8	<a href="#">154065</a>	85,09 €
36	Oil pipe RHD 59-> M8	<a href="#">154066</a>	121,39 €	38	Clamp 5mm e.g. brake lines	<a href="#">143038</a>	0,50 €

## 20, 50 Cooling System

### 20,50,83 Engine Cooling

20,50,83 Engine Cooling



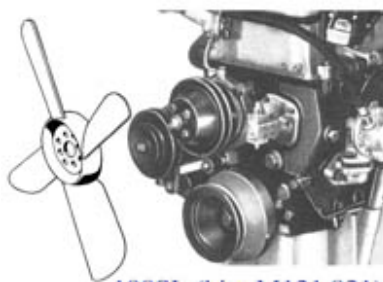
The situation permits the mounting of different pump insert units (for example 3-hole, pontoon), more information on page 20.a "Water pumps". Used radiator can be worked up with new cooler net, if all outer housing parts are present and not too much damaged.

	A1212050010 Pulley for fan at pump	<a href="#">120000</a>	555,00 €		Clamp, water pipe	<a href="#">183104</a>	14,35 €
	union nut M26, fits 120830	<a href="#">120831</a>	10,82 €		Water pump, L=75mm, 3-hole, non service	<a href="#">420019</a>	100,15 €
1	Radiator 190SL	<a href="#">150700</a>	1.299,00 €	1	Mesh, radiator repair	<a href="#">150220</a>	349,99 €
1	Radiator 190SL	<a href="#">150800</a>	1.933,50 €	2	Cap, cooling liquid "ID 100",   W121&113	<a href="#">150017</a>	29,75 €
2	cap for coolant reservoir, code 100, Mahle	<a href="#">150917</a>	48,46 €	4	Leaf spring, 190SL radiator mount upper	<a href="#">150022</a>	37,35 €
4	Plate, radiator clamp downhold	<a href="#">150023</a>	8,12 €	5	Mounting bolt	<a href="#">150008</a>	13,27 €
5	Mounting bolt	<a href="#">150708</a>	13,49 €	6	Rubber spacer at radiator mount	<a href="#">150803</a>	4,09 €
7	Distributor pipe 190SL LHD, Repro	<a href="#">150001</a>	89,19 €	7	Distributor pipe 190SL RHD	<a href="#">150002</a>	109,68 €
8	1m waterhose 38x46mm	<a href="#">150805</a>	28,92 €	8	1m waterhose I.D. 38 mm	<a href="#">150105</a>	34,51 €
9	1m waterhose 32x44mm	<a href="#">150104</a>	15,35 €	9	product replaced: Lock / winding clip for 9mm strap	<a href="#">109035</a>	2,09 €
9	1m waterhose 32x44mm	<a href="#">150804</a>	29,64 €	9	1m metal strip, 9mm clamp	<a href="#">109030</a>	4,00 €
12	A0005010065 Drain valve @ radiator lowe	<a href="#">150018</a>	190,00 €	23	Waterpump aftm. ->58	<a href="#">120017</a>	73,90 €
24	Water pump late (58->) aftermarket	<a href="#">120018</a>	78,90 €	27	M8x15-933 hex head bolt	<a href="#">142912</a>	0,56 €
28	Water Pump to Hsg. gasket	<a href="#">120709</a>	1,59 €	28	Water Pump to Hsg. gasket	<a href="#">120009</a>	1,62 €
28	Screw M6 e.g. Bonnet hinges	<a href="#">299289</a>	0,38 €	29	Gasket, housing to engine	<a href="#">220014</a>	1,25 €

30	NOS Pump housg, fits late propeller	<a href="#">120104</a>	322,00 €	30	Pump housg.180-190SL->58 (small)	<a href="#">120105</a>	632,83 €
32	Fan belt 10 x 850, 190SL RHD, 220SE	<a href="#">120101</a>	14,99 €	32	Fan Belt 10 x 825	<a href="#">120100</a>	19,99 €
34	Breather line 8501223>	<a href="#">120041</a>	49,99 €	36	Hollow screw, air venting	<a href="#">220010</a>	2,48 €
37	Sealing ring ID8, eg. for hollow screw	<a href="#">220011</a>	0,65 €	43	Seal ring	<a href="#">120027</a>	4,46 €
45	Water pump front bearing	<a href="#">120025</a>	7,43 €	47	Water pump rear bearing	<a href="#">120022</a>	5,78 €
48	Seal ring	<a href="#">120021</a>	14,99 €	52	Seal ring w.spring, oem pump	<a href="#">120003</a>	6,62 €
61	Pipe elbow @ cylinder head, >8501757	<a href="#">120830</a>	36,06 €	61	Pipe elbow @ cylinder head, >8501757	<a href="#">120030</a>	66,46 €
64	Threaded fitting, head->elbow	<a href="#">120038</a>	58,08 €	65	sealing ring copper 32	<a href="#">120033</a>	1,31 €
66	A1802000419 Pipe elbow @ cylinder head	<a href="#">120031</a>	122,51 €	66	Pipe elbow @ cylinder head 928	<a href="#">120032</a>	106,60 €
70	Housing, thermostat, Repro	<a href="#">120810</a>	215,99 €	70	Thermostat housing complete, Repro	<a href="#">120010</a>	277,98 €
71	Thermostat 79° Celsius	<a href="#">120012</a>	36,00 €	72	Cover, thermostate housing	<a href="#">120814</a>	39,50 €
72	Bolt 6x16 e.g. pan, in-hex	<a href="#">701319</a>	0,48 €	72	washer M6, yellow zincd	<a href="#">299125</a>	0,21 €
72	Bolt M6 x 12 in-hex	<a href="#">299043</a>	0,36 €	74	Seal, thermostat housing (2 req)	<a href="#">120813</a>	5,60 €
74	Rubberseal, thermostat housing (2 req)	<a href="#">120713</a>	2,32 €	75	Threaded fitting @ thermostat housing	<a href="#">120016</a>	26,79 €
76	Seal ring 16x20, Alu, e.g. hollow bolts	<a href="#">214078</a>	0,99 €	77	Gasket, thermostate	<a href="#">120011</a>	2,02 €
78	1m cooling water hose 12/19mm	<a href="#">250823</a>	7,14 €	78	Hose clamp 23-31mm, worm thread style	<a href="#">750042</a>	1,65 €

## 20.a Info Water Pump

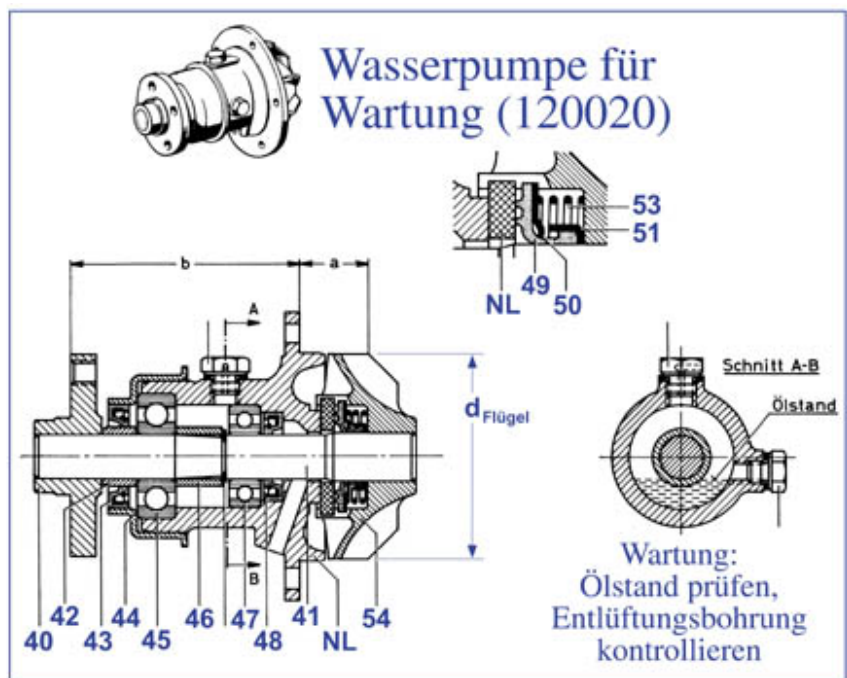
### 20.a Info Water Pump



190SL (hier M121.921)  
4-Loch Nabe  
für Riemenscheibe



Auch verwendbar:  
"Wartungsfreie" Pumpen



#### Pumpen für 4-Loch Riemenscheibe:

##### Artikel

120017	->58, wartungsfrei Ersatz
120018	58->, wartungsfrei Ersatz
120020	58->, zerlegbar, original

#### Pumpen für andere Fzg. auf Anfrage

(z.B. 3-Loch-Nabe. Bitte Länge angeben)

"->58" =bis Motor M121.921 8501222 (Mai '58)  
Wasserpumpe mit 60mm Flügelrad  $d_{\text{Flügel}}$

"58->" =ab Motor M121.921 8501223 (Mai '58)  
Flügelrad auf knapp 70mm vergrößert.  
Betrifft außerdem Pumpengehäuse.

Achtung, viele Fahrzeuge sind modifiziert:  
Wasserpumpen mit 3-Loch-Riemenscheiben ziehen  
Änderungen nach sich. (Baulänge, Lüfterrad...)

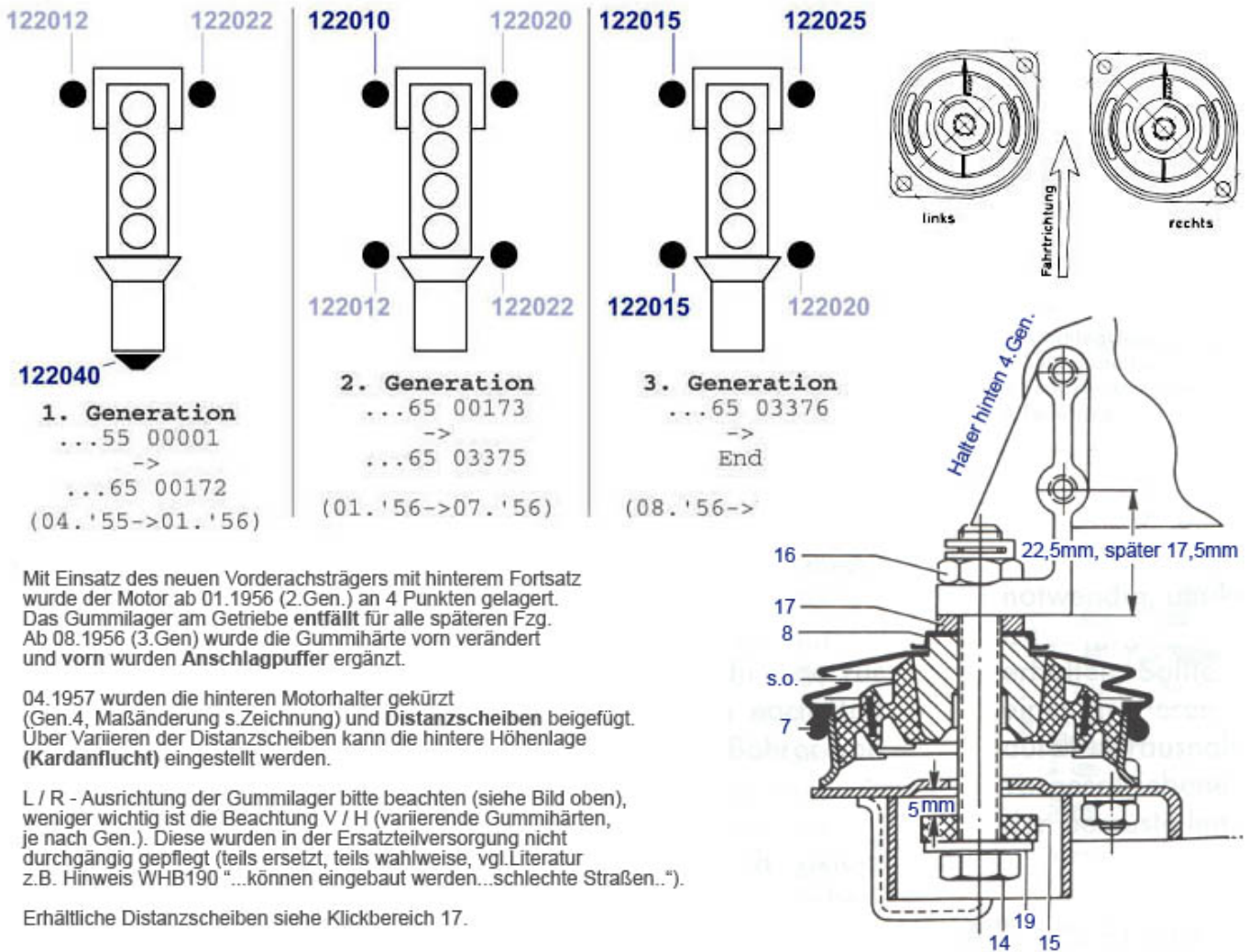
diverse	Water pump, 3 hole, maintenance-free	<a href="#">420020</a>	138,99 €	diverse	Water pump, L=75mm, 3-hole, non service	<a href="#">220020</a>	99,96 €
diverse	Water pump, L=75mm, 3-hole, non	<a href="#">420019</a>	100,15 €	43	Seal ring	<a href="#">120027</a>	4,46 €

	service					
45	Water pump front bearing	<a href="#">120025</a>	7,43 €	47	Water pump rear bearing	<a href="#">120022</a> 5,78 €
48	Seal ring	<a href="#">120021</a>	14,99 €	50	Slip ring cage	<a href="#">120005</a> 19,86 €
120017	Waterpump aftm. ->58	<a href="#">120017</a>	73,90 €	120018	Water pump late (58->) aftermarket	<a href="#">120018</a> 78,90 €

## 22, 25 Engine Mount, Clutch

### 22.b Info Engine Mounts

#### 22.b Info Engine Mounts



Mit Einsatz des neuen Vorderachsträgers mit hinterem Fortsatz wurde der Motor ab 01.1956 (2.Gen.) an 4 Punkten gelagert. Das Gummilager am Getriebe entfällt für alle späteren Fzg. Ab 08.1956 (3.Gen) wurde die Gummihärte vorn verändert und vorn wurden Anschlagpuffer ergänzt.

04.1957 wurden die hinteren Motorhalter gekürzt (Gen.4, Maßänderung s.Zeichnung) und Distanzscheiben beigefügt. Über Variieren der Distanzscheiben kann die hintere Höhenlage (Kardanflucht) eingestellt werden.

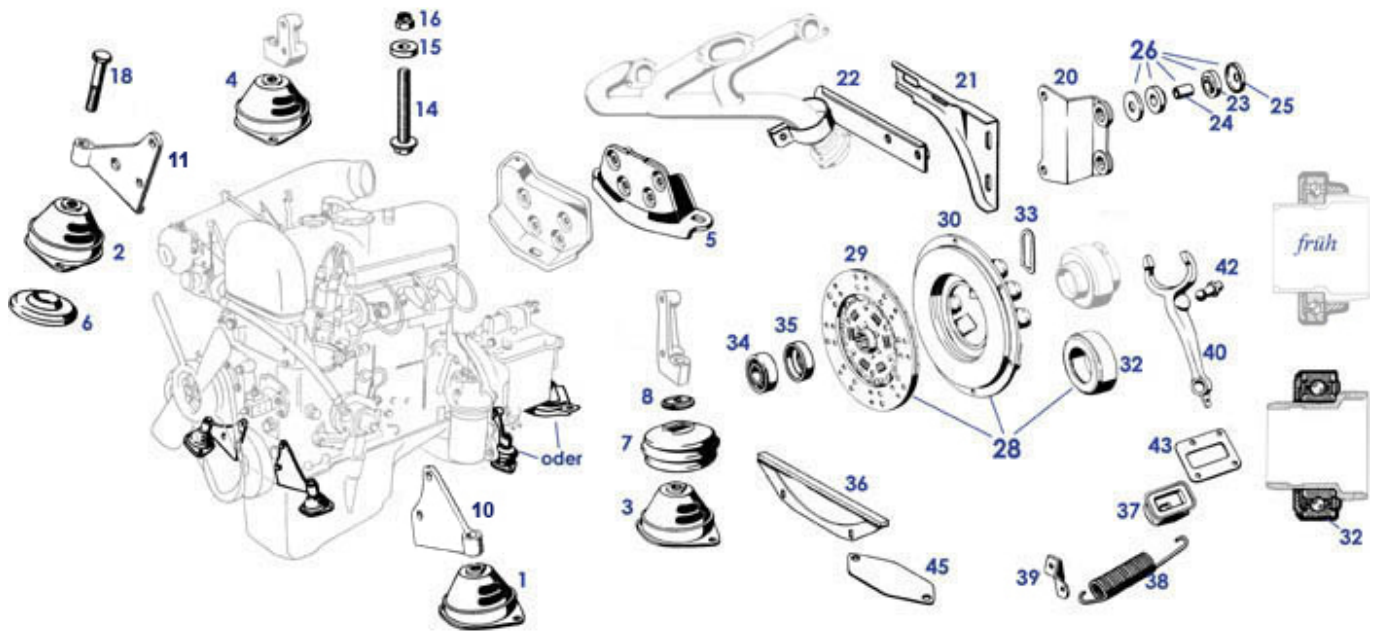
L / R - Ausrichtung der Gummilager bitte beachten (siehe Bild oben), weniger wichtig ist die Beachtung V / H (variiere Gummihärten, je nach Gen.). Diese wurden in der Ersatzteilversorgung nicht durchgängig gepflegt (teils ersetzt, teils wahlweise, vgl.Literatur z.B. Hinweis WHB190 "...können eingebaut werden...schlechte Straßen..").

Erhältliche Distanzscheiben siehe Klickbereich 17.

7	Schraube M12x90, ersetzt 122037 Bellows, rear eng.mount	<a href="#">922037</a> <a href="#">122830</a>	3,61 € 10,13 €	14	Motor mount, late 190SL, Rt.	<a href="#">122925</a>	79,99 €
14	Screw, rear eng.mount 750071-> (L100)	<a href="#">122038</a>	27,73 €	15	Bolt, 190SL '56->'57, 6-Zyl- Pontoon,L90	<a href="#">122037</a>	11,69 €
16	Nut e.g. Eng.mount M12/SW17 Copper	<a href="#">122041</a>	2,39 €	17	Rubber shim 5mm eng support buffer	<a href="#">122039</a>	2,08 €
17	Shim,1 mm, rr.eng.mounts,if required	<a href="#">222023</a>	3,49 €	122015	Steel distance washer 5mm, e.g.rr eng	<a href="#">222022</a>	10,88 €
122020	Motor mount, late 190SL, Rt.	<a href="#">122825</a>	62,59 €	122015	Motor mount 190SL Lt./late , R113 rear	<a href="#">122815</a>	60,10 €
				122040	Transmission mount, ->6500172	<a href="#">122040</a>	109,41 €

### 22.a Engine Mount, Clutch

#### 22.a Engine Mount, Clutch

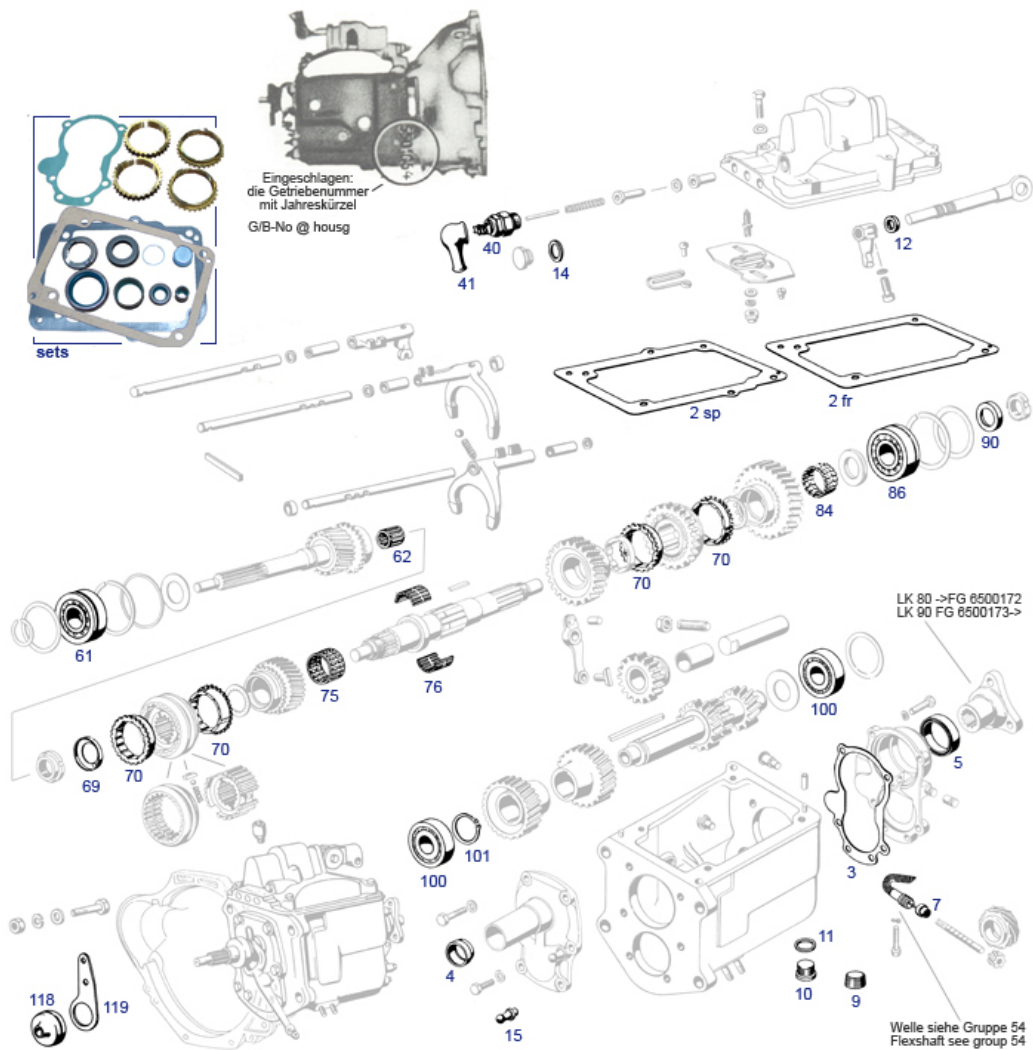


release bearing: In the "maintenance years", release bearings with different sleeve bodies were available at a favorable price. Without dismantling recommendation or availability of bearing rings can not be named. The comparison of the used sleeve body with the graphics can save money and avoid lost time by missing purchase. engine bearings: For explanatory details on the generations, see the following drawing board 22.b

	M12 DIN 127 lock washer	<a href="#">233042</a>	0,39 €		Screw engine mount rear	<a href="#">222025</a>	0,80 €
	Bolt 57mm, rebound eng mount frt lower	<a href="#">222006</a>	25,73 €		Locking ring M10	<a href="#">299328</a>	0,38 €
	Waved spring washer M8	<a href="#">799911</a>	0,18 €		Bolt M8 x 16 zincd	<a href="#">799947</a>	1,02 €
	Motor mount, late 190SL, Rt.	<a href="#">122925</a>	79,99 €	1	Motor mount 190SL Lt./late , R113 rear	<a href="#">122815</a>	60,10 €
1	Engine mount 190SL left, R113 rear OE	<a href="#">122915</a>	79,99 €	2	Motor mount, late 190SL, Rt.	<a href="#">122825</a>	62,59 €
5	Transmission mount, ->6500172	<a href="#">122040</a>	109,41 €	5	Nut, M10, exh manifold	<a href="#">114008</a>	1,25 €
5	Washer rr brake, betw.spring and shoes	<a href="#">142909</a>	3,15 €	5	galvanized Spring washer M8	<a href="#">233059</a>	0,21 €
6	Buffer shim, frt eng mounts	<a href="#">122004</a>	7,95 €	7	Bellows, rear eng.mount	<a href="#">122830</a>	10,13 €
8	Plate, bellows @ engine mount	<a href="#">122035</a>	9,53 €	10	Engine support, front Lt.	<a href="#">122003</a>	62,80 €
11	Engine support, frt Rt early	<a href="#">122001</a>	79,33 €	14	Bolt, 190SL '56->'57, 6-Zyl-Pontoon,L90	<a href="#">122037</a>	11,69 €
14	Screw, rear eng.mount 750071->(L100)	<a href="#">122038</a>	27,73 €	15	Rubber shim 5mm eng support buffer	<a href="#">122039</a>	2,08 €
16	Nut e.g. Eng.mount M12/SW17 Copper	<a href="#">122041</a>	2,39 €	18	Screw engine mount M12 x 45	<a href="#">122009</a>	0,82 €
20	Mounting bracket for exhaust	<a href="#">149047</a>	165,40 €	21	Exhaust support bracket, late LHD	<a href="#">114016</a>	59,63 €
22	Exhaust manifold clamp from 6503210	<a href="#">114050</a>	113,84 €	23	Rubber shim at exh. bracket	<a href="#">114002</a>	3,83 €
24	Bushing, e.g. support manifold bracket	<a href="#">114803</a>	4,33 €	24	Bolt M8 x 40	<a href="#">149059</a>	1,14 €
25	Retainer at exh. bracket	<a href="#">114001</a>	3,13 €	29	Clutch disc	<a href="#">125010</a>	214,99 €
30	Clutch pressure plate assembly	<a href="#">125700</a>	336,14 €	32	T/O bearing 4-Cyl, fits '58-'65 -sleeve	<a href="#">125002</a>	69,85 €
32	Release bearing fits sleeve '65-'68	<a href="#">225807</a>	88,95 €	32	T/O Cluch bearg. with body, 4-Cyl/FN	<a href="#">325003</a>	142,99 €
33	Spring clamp	<a href="#">125013</a>	19,85 €	34	Pilot bearing	<a href="#">103093</a>	19,52 €
35	Cover, pilot bearing	<a href="#">103094</a>	1,81 €	36	Cover plate	<a href="#">125056</a>	41,59 €
37	Dust boot, rubber, @ clutch lever	<a href="#">125005</a>	5,94 €	38	Clutch release spring 56->	<a href="#">129080</a>	13,39 €
39	Bracket for spring, LHD from 6501693	<a href="#">129081</a>	13,20 €	40	Throw out lever 190SL, no used part req	<a href="#">125081</a>	416,89 €
40	Throw out lever,exch., used part req.!	<a href="#">125080</a>	156,29 €	43	Seal holder, c.r.m.	<a href="#">225010</a>	11,84 €
45	Cover plate, clutch bell housing	<a href="#">125054</a>	11,29 €	45	Cover, 1956	<a href="#">125053</a>	11,70 €

# 26 Gearbox

26 Gearbox

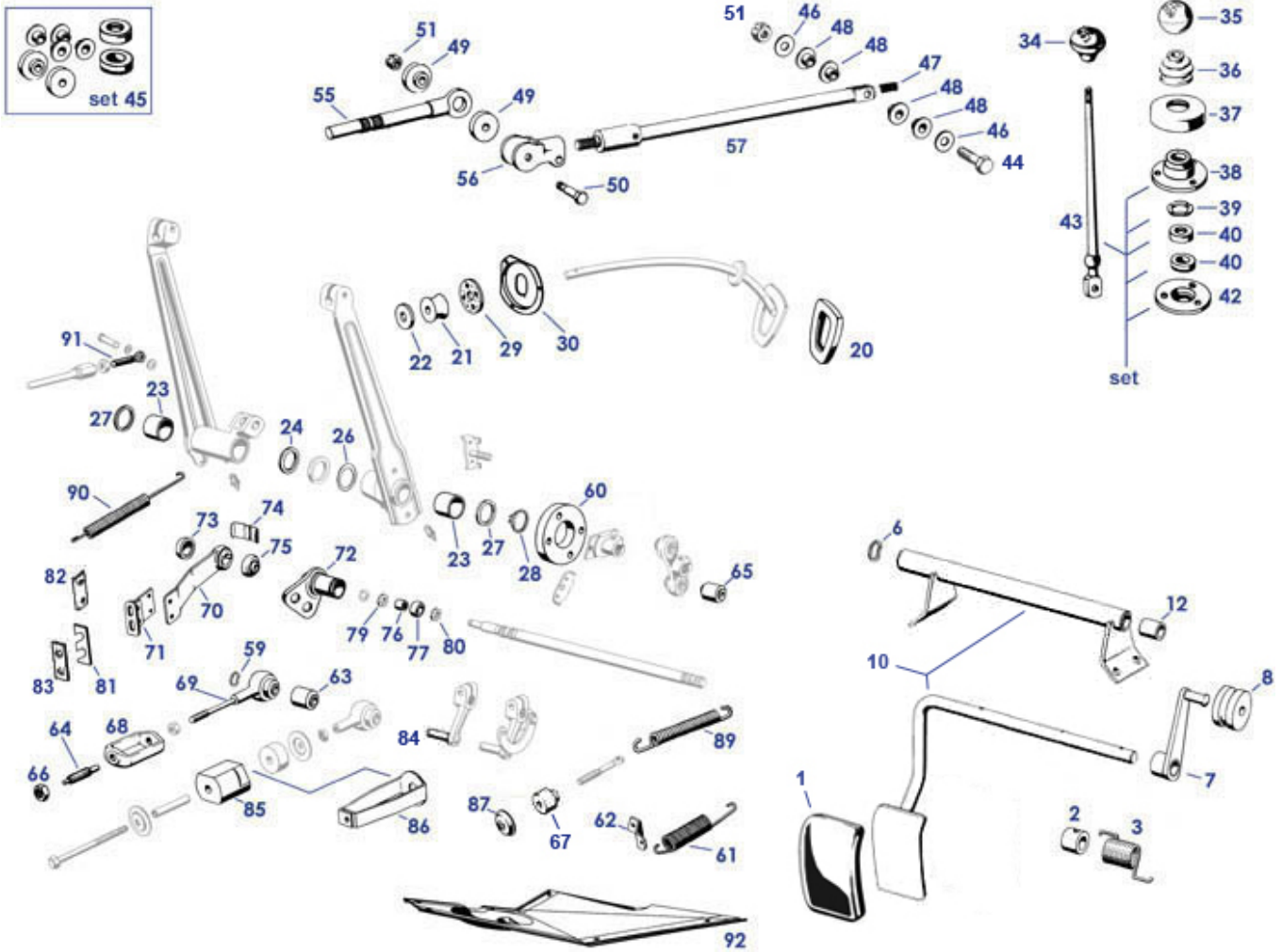


Gear ratio (gear pair) and shafts were changed during the construction period, synchronizer replaced in changed versions. The offered synchronizer rings correspond to the last version, please check compatibility before installation.

sets	gear bearing set, 8pcs.	<a href="#">226860</a>	809,20 €		Synchronizing ring, per piece	<a href="#">226750</a>	89,90 €
2fr	Trans. top cover gasket >025117	<a href="#">126718</a>	4,11 €	2sp	Trans. top cover gasket 025118	<a href="#">126015</a>	7,60 €
2fr	Trans. top cover gasket >025117	<a href="#">126018</a>	4,70 €	3	Gasket @ transmission rear case	<a href="#">126035</a>	3,05 €
4	Seal ring e.g. gear driveshaft IN, OD=3	<a href="#">126042</a>	4,25 €	5	Seal @ transmission	<a href="#">126030</a>	7,31 €
7	Seal ring speedo/rev drive	<a href="#">126039</a>	4,88 €	9	Plug screw M24 conical, no collar	<a href="#">114025</a>	8,98 €
10	Plug screw with collar, M24	<a href="#">226046</a>	2,45 €	11	Seal Ring   gear box drain plug	<a href="#">226047</a>	0,54 €
12	Seal ring gear link / housg-top	<a href="#">226012</a>	3,68 €	14	Seal ring 18x22 Al	<a href="#">109019</a>	0,94 €
41	Rubber cap, starter wire, small	<a href="#">754026</a>	6,14 €	62	Roller cage bearing, copper version	<a href="#">226056</a>	59,45 €
69	Lock washer,nut, main sht. fr.	<a href="#">226054</a>	3,25 €	70	Synchronring	<a href="#">226850</a>	64,38 €
70	Synchronizing ring, per piece, Repro, nose-width 10mm	<a href="#">226050</a>	26,18 €	75	Needle bearing, 3rd gear,23	<a href="#">226057</a>	171,35 €
76	needle bearing set, main shaft	<a href="#">226058</a>	255,28 €	79	Flange 80mm, ref. Nr.: A1802620645	<a href="#">126008</a>	475,00 €
84	needle bearing main shaft for 1st gear	<a href="#">226061</a>	235,00 €	86	Ball bearing, main shaft	<a href="#">226959</a>	100,16 €
90	Lock for 3 way flange	<a href="#">126871</a>	4,33 €	100	ball bearing countershafts, 25x62x17	<a href="#">226076</a>	58,49 €
118	Rubber grommet 11/30, bulkh(190),107,..	<a href="#">299017</a>	1,59 €	118	Rubber grommet 11/30, blue silicon rubber	<a href="#">299517</a>	1,59 €

## 29 Gearshift and Pedals LHD

29 Gearshift and Pedals LHD



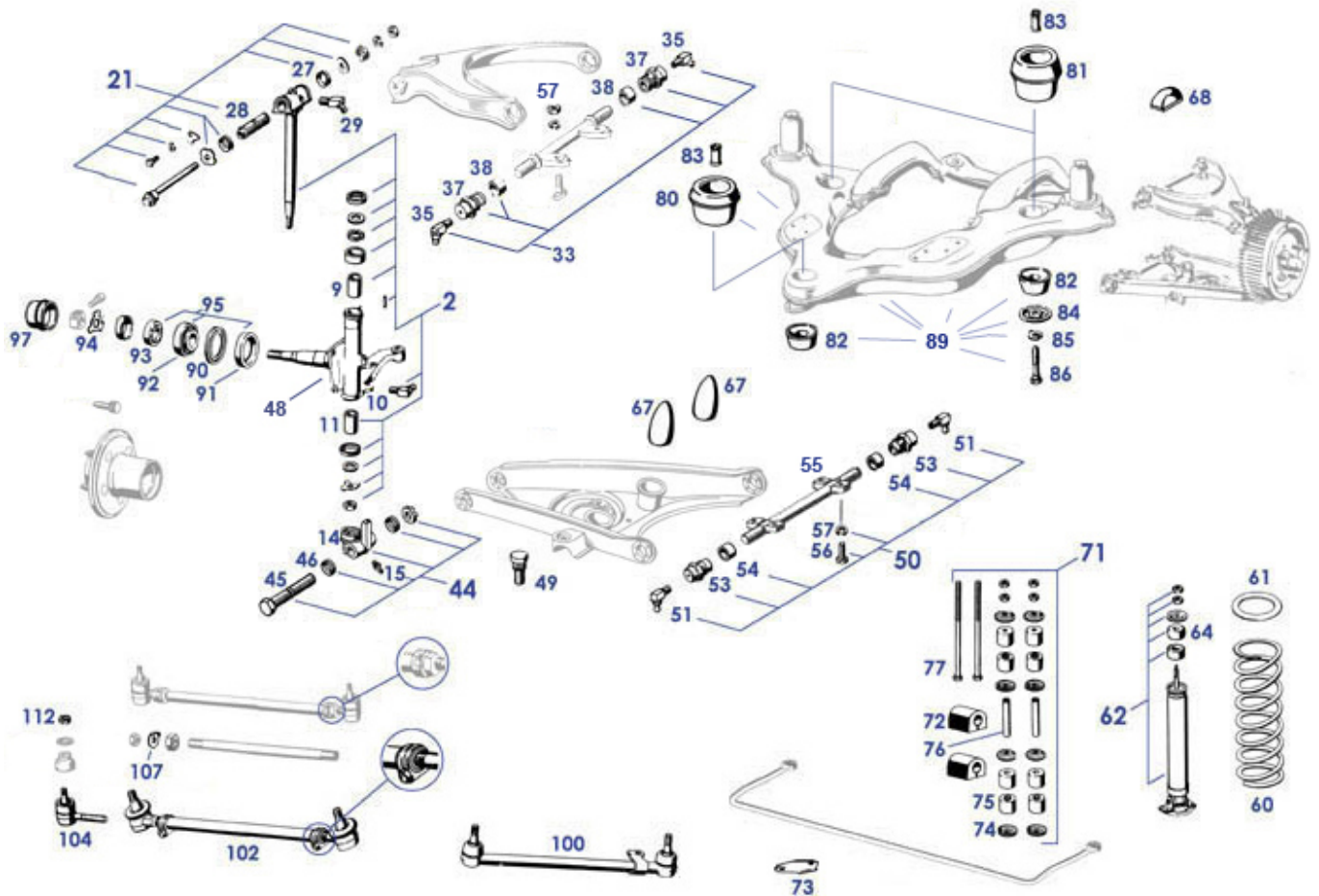
set	Set shift lever with support	<a href="#">126025</a>	311,23 €		Dampening rubber for pull rod	<a href="#">130200</a>	11,75 €
1	Accellerator pedal pad, rubber + foam	<a href="#">129010</a>	17,65 €	3	Gas pedal torsion spring	<a href="#">130020</a>	47,66 €
3	Coil spring, acc.pedal return	<a href="#">130021</a>	37,96 €	6	Spring washer	<a href="#">130044</a>	0,92 €
7	Acc. pedal lever LHD	<a href="#">130030</a>	191,53 €	8	Buffer ring, acc linkage (60°SH)	<a href="#">230800</a>	6,39 €
8	Dampening rubber for pull rod 45 SHORE A	<a href="#">130800</a>	6,39 €	10	accelerator pedal, without bushing and rubber, ref-No.	<a href="#">130004</a>	249,00 €
12	Carb control shaft bushing	<a href="#">130045</a>	8,45 €	20	brake pedal pad, cushioned	<a href="#">429008</a>	24,86 €
20	Brake or clutch pedal pads	<a href="#">129008</a>	4,05 €	21	Damping / sealing shim, pedal shaft	<a href="#">129025</a>	6,60 €
22	Shim,1 mm, rr.eng.mounts,if required	<a href="#">222023</a>	3,49 €	23	Bushing, pedal shaft	<a href="#">129026</a>	44,99 €
23	Bushing, pedal shaft	<a href="#">129826</a>	46,89 €	24	Washer 1.00mm	<a href="#">129024</a>	9,06 €
24	Washer 0,75mm	<a href="#">129022</a>	8,66 €	24	Washer 0.88mm	<a href="#">129023</a>	9,06 €
26	Ring 0.6mm	<a href="#">129021</a>	8,01 €	28	Lock ring 26x1,2	<a href="#">299057</a>	1,26 €
29	Pedar rod seal, repro	<a href="#">129018</a>	17,26 €	30	Pedal schaft gasket guide	<a href="#">168015</a>	73,02 €
34	Gear lever knob, screw-on, 'Pilzform	<a href="#">126003</a>	36,00 €	34	Shifting lever Knob 58->ivory	<a href="#">126002</a>	35,43 €
34	Gear lever knob, push-on, 'Pilzform	<a href="#">126004</a>	29,63 €	35	Knob ivory, 4-speed, push-on, Repro	<a href="#">226002</a>	45,80 €
35	Gear lever knob,black,4 speed, Repro	<a href="#">226000</a>	46,34 €	36	Shifting lever rubber boot	<a href="#">126010</a>	15,59 €
37	Chrome cover @ gear shift lever	<a href="#">126040</a>	36,24 €	37	Chrome cover @ gear shift grommet	<a href="#">126840</a>	32,50 €
38	Shifting lever top flange	<a href="#">126050</a>	119,63 €	39	Spring washer	<a href="#">126055</a>	12,25 €
40	Bushing pan gear lever	<a href="#">226833</a>	7,44 €	42	Shifting lever, bottom flange	<a href="#">126060</a>	113,86 €
43	Gear/Shifting leverFN	<a href="#">226020</a>	266,83 €	43	Shifting lever ->8500309	<a href="#">126020</a>	237,90 €



44	Bolt, gear lever to -shaft, early	<a href="#">126034</a>	28,25 €	44	Bolt M7, e.g. gear lever from VIN ..42-10-004926	<a href="#">226034</a>	0,96 €
46	Washers,gear lever end bolt, ref.-No. A1119903540	<a href="#">226028</a>	10,91 €	48	Bushing Gear Linkage (required 4x)	<a href="#">126012</a>	3,50 €
49	Bushing gear lever rod	<a href="#">126811</a>	7,20 €	50	Bolt, gear shaft to box link	<a href="#">126033</a>	21,25 €
50	Bolt M7, lever link front eyes	<a href="#">226023</a>	15,89 €	51	Cotter pin 1,5 x 15	<a href="#">126824</a>	0,12 €
51	Nut M7, self locking	<a href="#">226024</a>	1,24 €	56	Fork flange, shifting rod	<a href="#">226025</a>	197,60 €
57	Lever tube Repro/late w.buffer	<a href="#">126028</a>	422,45 €	57	Gearshiftröd, repro	<a href="#">126027</a>	316,41 €
59	spring washer 10mm	<a href="#">129074</a>	0,26 €	60	Joint disc set w. screws, replaced	<a href="#">129840</a>	47,01 €
61	Clutch release spring 56->	<a href="#">129080</a>	13,39 €	61	clutch link spring up to '56	<a href="#">129085</a>	27,14 €
62	Bracket for spring, LHD from 6501693	<a href="#">129081</a>	13,20 €	63	Rubber joint, clutch lever (silent bl)	<a href="#">129055</a>	55,79 €
64	Threaded pin @ clutch shackle	<a href="#">129072</a>	37,46 €	65	Silent block @ clutch linkage, 55->	<a href="#">129050</a>	10,20 €
66	Nut, flat style, zinned, pedals,kardan.	<a href="#">129073</a>	1,49 €	67	Rubber buffer	<a href="#">129045</a>	15,29 €
68	Shackle, for clutch adjustment	<a href="#">129070</a>	196,35 €	69	A1212900939 Clutch pull rod	<a href="#">129056</a>	352,24 €
71	Support, NOS, see picture	<a href="#">129929</a>	55,00 €	71	Bracket for swivel support, LHD	<a href="#">129029</a>	103,28 €
72	Rubber boot, inner pedal shaft seal, fits 129027	<a href="#">129006</a>	36,38 €	73	Rubber cap, pedal support shaft	<a href="#">129836</a>	13,01 €
74	Lock spring, LHD pedal shaft	<a href="#">129035</a>	19,99 €	75	Rubber boot, inner pedal shaft seal	<a href="#">129034</a>	6,38 €
76	Needle bearing, pedal shaft near tunnel	<a href="#">129032</a>	4,15 €	77	Ball pedal shaft support, 5500436->	<a href="#">129031</a>	43,67 €
79	Spacer ring	<a href="#">129033</a>	7,52 €	80	special shim	<a href="#">129038</a>	2,45 €
82	Shim, pedal shaft support	<a href="#">129082</a>	24,84 €	83	Shim, pedal shaft support	<a href="#">129083</a>	12,99 €
84	Rep-pin clutch link lever	<a href="#">129059</a>	38,94 €	85	Buffer, clutch lever	<a href="#">129060</a>	52,15 €
85	Buffer, clutch lever	<a href="#">129860</a>	44,63 €	87	Retainer	<a href="#">132019</a>	3,37 €
89	Coil spring, clutch pedal 5500108->	<a href="#">129049</a>	51,98 €	90	Grease nippleFN	<a href="#">233048</a>	0,89 €
91	Thrust rod	<a href="#">142058</a>	41,47 €	92	Lower protection plate	<a href="#">129005</a>	142,00 €

# 33 Front Suspension

## 33 Front Suspension



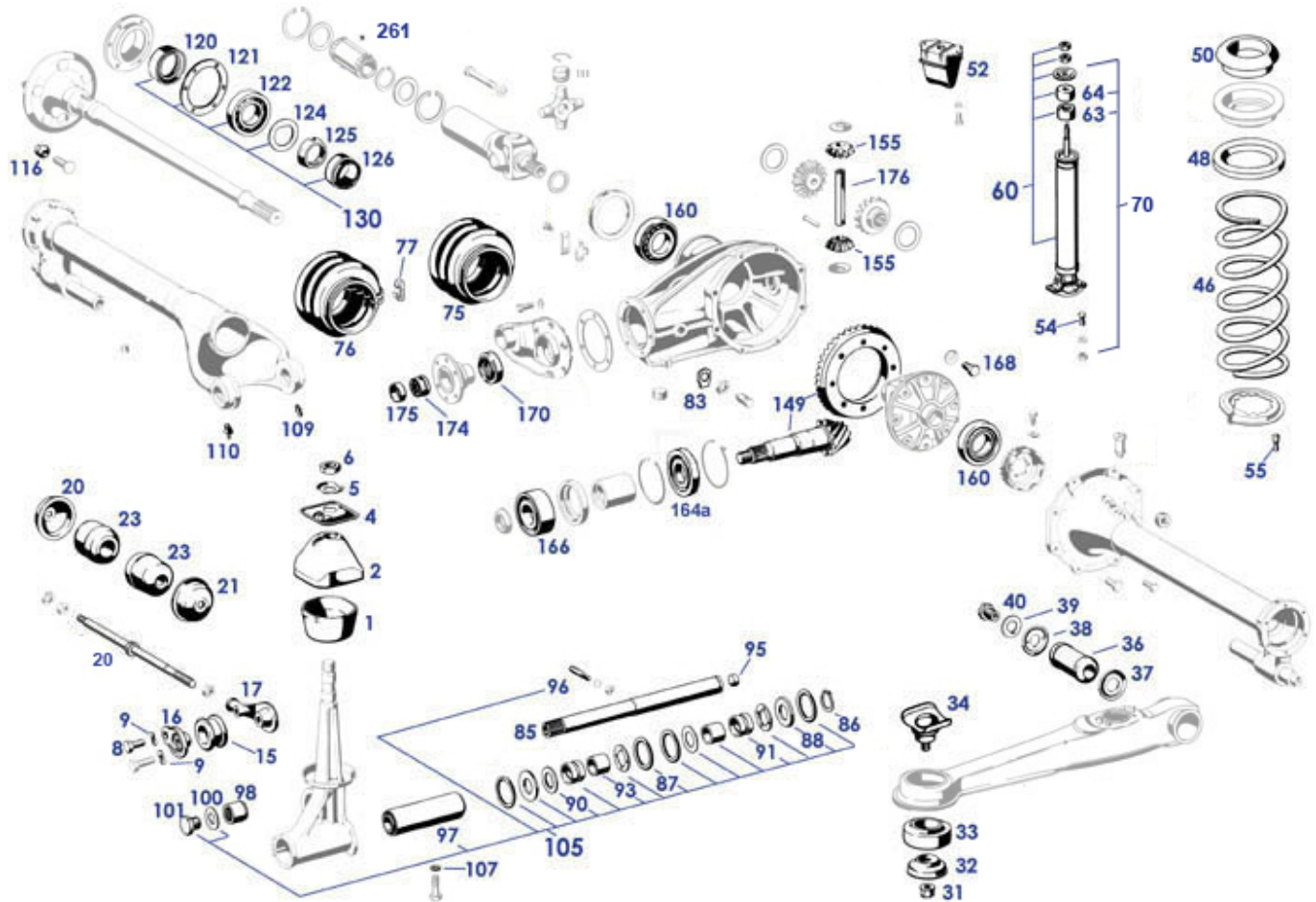
Shown axle body shows version according to VIN..6500173 (from 4-point engine mounting), The axle number is inserted into the steering knuckles. Wheel hub: from axle number 5500161 Right-hand thread clamping nuts (part 99); Change of the wheel bearing dimension (in late version = smaller version) from axis number 021980. Tie rods of the old design (with lubrication nipples, locknut and securing plate (shown here in gray)) have long time ago been replaced in today's design with clamp. Steering rod tubes and heads of the old style are not available

	Repair kit, control arm outer, lower+upper 1 side	<a href="#">133825</a>	110,67 €		Split pin 3x36	<a href="#">133059</a>	0,18 €
	Cotter pin 2,0 x 25, e.g. tie rod nuts	<a href="#">299460</a>	0,12 €		Hex nut M10 fine, e.g. shock-absorber	<a href="#">232989</a>	0,70 €
	Rep kit wheel bearing from 06.'61, FEBI	<a href="#">233880</a>	73,24 €		A1203300607 Upper control arm	<a href="#">133045</a>	756,15 €
	Self locking nut M12 X 1,5	<a href="#">733113</a>	1,93 €	pin	pin 2,5 m6 X 6	<a href="#">233750</a>	0,31 €
	Wheel bearing, inner, 06.61 -> 89, FAG	<a href="#">142680</a>	27,66 €		Wheel bearing, outer, FAG	<a href="#">142730</a>	29,05 €
	Washer at clamping nut, no inner pintle	<a href="#">233972</a>	27,97 €		Washer at clamping nut, with inner pintle	<a href="#">133972</a>	26,78 €
	Castle nut M10X1, thin shape, early joint	<a href="#">133706</a>	2,45 €		Repr.set,k'pin/bushes,p'too Ponton	<a href="#">433850</a>	119,00 €
2	King pin repair kit	<a href="#">233050</a>	102,45 €	11	Bush, king pin, lower=L45mm	<a href="#">233053</a>	14,28 €
14	King pin bearing ot/lw.	<a href="#">133031</a>	79,46 €	15	Grease nippleFN	<a href="#">233048</a>	0,89 €
16	King pin security washer	<a href="#">233051</a>	3,21 €	21	Control arm rep. kit, upper outer, FEBI	<a href="#">133010</a>	81,55 €
26	toothed washer, adjuster at upper ctrl arm	<a href="#">133023</a>	0,89 €	27	Seal Ring, upper & lower	<a href="#">133015</a>	6,77 €
28	Threaded bushing	<a href="#">133018</a>	10,95 €	29	Cap for grease nipple, red	<a href="#">333048</a>	0,65 €
29	Grease nipple, M8, 45°, FEBI	<a href="#">133048</a>	1,49 €	37	Threaded bush, 29.9mm (no groove)	<a href="#">133038</a>	25,25 €
37	Threaded bush, 30.9mm, with groove	<a href="#">133039</a>	25,29 €	38	Sealing rings, Upper or lower	<a href="#">133041</a>	2,05 €
44	Control arm rep. kit, lower outer,	<a href="#">133030</a>	79,99 €	44	Repair kit, control arm outer,	<a href="#">133025</a>	127,40 €

45	FEBI Bolt, king pin br. ot/lw	<a href="#">133032</a>	17,49 €	48	lower+upper 1 side FEBI Steering stub axle LH, mid.generation, NOS	<a href="#">133012</a>	190,40 €
48	Steering stub axle LH, mid.generation, NOS	<a href="#">133011</a>	190,40 €	49	Bolt, shock absorber mount	<a href="#">135303</a>	10,23 €
49	Spring washer M7	<a href="#">142152</a>	0,18 €	49	Nut M7	<a href="#">135305</a>	0,50 €
56	Mtg.bolt lower inner	<a href="#">133043</a>	3,63 €	57o	hex nut M12 X 1,5 zinc plated class 10	<a href="#">233046</a>	1,58 €
57	M12 DIN 127 lock washer	<a href="#">233042</a>	0,39 €	60	Front suspension springs	<a href="#">132000</a>	150,59 €
61	Shim	<a href="#">132011</a>	5,15 €	62	Shock absorber front, Bilstein Gas	<a href="#">132111</a>	324,99 €
62	shock absorber Koni Classic front	<a href="#">132103</a>	172,55 €	62	Shock absorber front + rear Oil press	<a href="#">132112</a>	293,00 €
64	Rubber ring, top	<a href="#">132027</a>	2,82 €	64	Washer upper shock mount	<a href="#">232835</a>	4,99 €
67	Rubber bumper, lower	<a href="#">133080</a>	21,04 €	68	Rubber buffer, upper ctrl-arm L or R	<a href="#">133070</a>	19,12 €
71	Torsion Bar Mtg. Kit. for 1 car	<a href="#">158000</a>	97,76 €	72	Rubber mount torsion bar 20mm	<a href="#">132015</a>	18,50 €
73	Bracket, torsion bar	<a href="#">132025</a>	32,90 €	74	Retainer	<a href="#">132019</a>	3,37 €
75	Rubber buffer, torsion bar rod	<a href="#">132017</a>	8,29 €	76	Spacer tube, torsion bar rod	<a href="#">132018</a>	8,09 €
80	Rubber mount, sub-frame to body	<a href="#">133060</a>	40,45 €	81	Frt subframe rubber mount upper, rear	<a href="#">133055</a>	36,72 €
82	Rubber buffer, lower subframe mount	<a href="#">133050</a>	34,99 €	83	Sleeve	<a href="#">133054</a>	8,35 €
84	Reinforcing shim, replaced style	<a href="#">133051</a>	2,56 €	84	shim w.locking grooves, as orig	<a href="#">133151</a>	20,05 €
85	Locking shim, fits old style washer	<a href="#">133052</a>	4,96 €	86	Special bolt, frt axle->frame M12 X 1,5 X 57	<a href="#">133053</a>	36,33 €
90	Shim at wheel hub rt.	<a href="#">133180</a>	14,40 €	90	Shim at wheel hub lt.	<a href="#">133170</a>	49,05 €
90	Bearing retainer ring 06.61->, orig.	<a href="#">142600</a>	79,67 €	90	Bearing retainer ring 06.61 ->	<a href="#">142608</a>	23,75 €
90	Puller plate >021979	<a href="#">142610</a>	19,90 €	91	Seal ring @ frt wheel bearings	<a href="#">142625</a>	8,88 €
91	Front axle seal >021979	<a href="#">142620</a>	15,45 €	92	Inner front wheel bearing ->021979	<a href="#">142585</a>	26,89 €
92	Wheel bearing, inner, 06.61 -> 89	<a href="#">142580</a>	23,79 €	93	Roller bearing, outer up to 06.61 SKF	<a href="#">142940</a>	24,99 €
93	Front axle outer bearing >021979	<a href="#">142640</a>	23,74 €	93	Wheel bearing, outer	<a href="#">142630</a>	18,67 €
97	Grease cap with contact spring	<a href="#">142650</a>	79,99 €	99	Clamp nut   multiple cars from 1956-1985   A1203340772	<a href="#">233077</a>	32,53 €
100	Drag link 190,b,SL 5501502->, LHD	<a href="#">146040</a>	74,28 €	100	Drag link 190SL ->5501501, LHD	<a href="#">146041</a>	186,43 €
104	Tie rod end	<a href="#">233991</a>	28,99 €	104	Spurstangenkopf, Rechtsgewinde	<a href="#">233992</a>	27,00 €
104	Tie rod end, Rt. thread, brand Meyle	<a href="#">233192</a>	22,99 €	104	Tie rod end, Lt. thread, brand MEYLE	<a href="#">233191</a>	22,49 €
104	Right Tie Rod end -"Febi"	<a href="#">233092</a>	22,85 €	104	Left Tie Rod end -"Febi"	<a href="#">233091</a>	22,85 €
107	Tie rod end lock plate	<a href="#">199015</a>	9,16 €	112	Split pin 2,5 x 25, fits crown nuts seering linkage	<a href="#">133007</a>	0,24 €

# 35 Rear Suspension

35 Rear Suspension



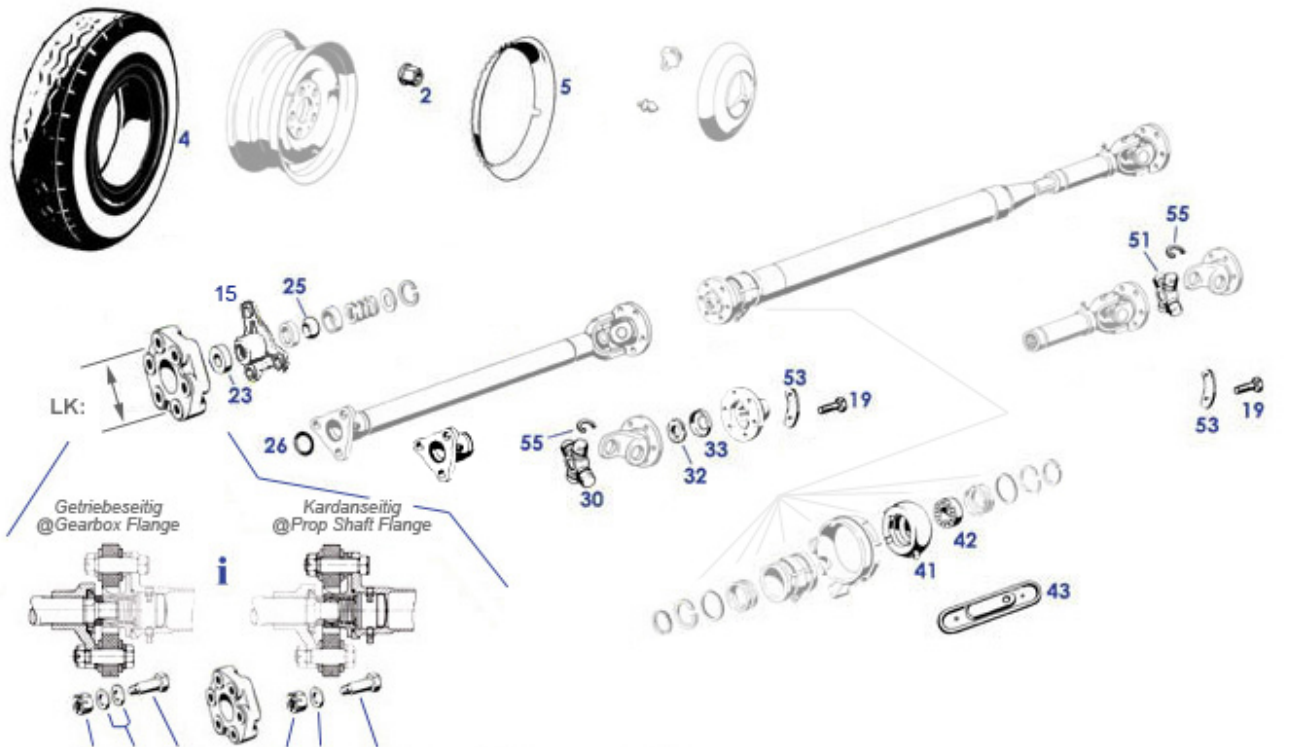
	Tool for special nut rr axle shafts	<a href="#">258750</a>	130,90 €		A1803500193 Cross strut	<a href="#">135222</a>	77,35 €
	Swing axle sleeve, closed, premium quality	<a href="#">135930</a>	49,43 €		Bolt, universal joint 230SL (L70)	<a href="#">235231</a>	2,25 €
	Hex nut M10 fine, e.g. shock-absorber	<a href="#">232989</a>	0,70 €		Sleeve, length 26.0mm (std), OD+0.4mm Rep.	<a href="#">235307</a>	51,38 €
plug	Plug screw M24 conical, no collar	<a href="#">114025</a>	8,98 €		product replaced: Lock / winding clip for 9mm strap	<a href="#">109035</a>	2,09 €
	Sw. Axle sleeve, open, repair, premium quality	<a href="#">135931</a>	80,92 €	1	Rubber mount, rear axle ctr mount, lower	<a href="#">135002</a>	32,24 €
2	Rubber mount, rr axle ctre, from 750336	<a href="#">135001</a>	103,90 €	2	Rubber mount, top >7503266	<a href="#">135003</a>	80,13 €
4	Tightening plate	<a href="#">135117</a>	211,21 €	5	Locking plate rear axle mount	<a href="#">135004</a>	5,20 €
6	Rear axle nut M22x1.5	<a href="#">135006</a>	1,49 €	8	hex head screw M10 X 20, 10.9 zinc plated	<a href="#">235315</a>	1,40 €
9	M12-127 lock washer	<a href="#">235316</a>	0,26 €	15	Rubber buffer, inner, rr axle cross stru	<a href="#">135062</a>	22,31 €
16	A1113510240 cup, rear half	<a href="#">135224</a>	199,99 €	17	on request: latch for cross strut NOS/used	<a href="#">135223</a>	188,50 €
17	pair of shackle, cross strut to axle, early, M12, iron, Repro	<a href="#">135725</a>	197,54 €	20	Bolt + bushing cross strut early M12/M1	<a href="#">135722</a>	57,52 €
23	Rubber buffer at rr axle cross strut	<a href="#">135033</a>	30,59 €	31	Crown nut M12 (e.g. early rr struts)	<a href="#">135121</a>	29,50 €
31	Crown nut, M14 thread	<a href="#">135120</a>	25,47 €	31	Split pin 3x36	<a href="#">133059</a>	0,18 €
32	Retainer, late strut mount (M14)	<a href="#">135810</a>	15,59 €	32	Retainer plate, early type (m12)	<a href="#">135809</a>	52,35 €
33	Rubber mount, trailing arm donut	<a href="#">135100</a>	35,07 €	34	Support for rear axle strut	<a href="#">161210</a>	31,89 €
36	Rubber bushing, trailing arm to axle	<a href="#">135009</a>	16,29 €	37	Tightening plate	<a href="#">135111</a>	100,86 €
38	Mounting retainer	<a href="#">135112</a>	100,86 €	39	Lock shim, strut to rr axle	<a href="#">135007</a>	5,18 €
40	Bolt, Arm to rear axle	<a href="#">135014</a>	34,83 €	45	Spring retainer, bottom	<a href="#">132012</a>	91,99 €
46	Rear suspension spring Lt.	<a href="#">132001</a>	122,45 €	46	Rear suspension spring Rt	<a href="#">132006</a>	112,76 €
48	Spacer ring above rr springs	<a href="#">132014</a>	19,77 €	49	Spring retainer, top	<a href="#">132013</a>	150,00 €
50	Rubber mounting f.spring retainer	<a href="#">132830</a>	32,90 €	50	Rubber mounting f.spring retainer	<a href="#">132030</a>	29,95 €

	top						
52	bolt, M7 e.g. buffer 132016	<a href="#">132036</a>	0,38 €	52	Rubber bumper, replcmnt, (higher)	<a href="#">132016</a>	99,95 €
52	Rubber bumper, rr axle, as original	<a href="#">132916</a>	73,01 €	52	Spring washer M7	<a href="#">142152</a>	0,18 €
54	Nut M7	<a href="#">135305</a>	0,50 €	54	Bolt, shock absorber mount	<a href="#">135303</a>	10,23 €
55	Rest: special stud bolt, damper	<a href="#">135304</a>	24,99 €	60	shock absorber Koni Classic rear	<a href="#">132113</a>	172,55 €
60	Shock absorber front + rear Oil press	<a href="#">132112</a>	293,00 €	60	Shock absorber rear, Bilstein Gas	<a href="#">132022</a>	314,99 €
64	Washer upper shock mount	<a href="#">232835</a>	4,99 €	64	Rubber ring, top	<a href="#">132027</a>	2,82 €
64	Washer upper shock mount	<a href="#">232035</a>	4,75 €	71	A1203534452 Shim 2.0mm	<a href="#">135024</a>	10,00 €
75	Swing axle sleeve, closed	<a href="#">135130</a>	29,96 €	76	1m metal strip, 9mm clamp	<a href="#">109030</a>	4,00 €
76	Sw. Axle sleeve, open, rep., design differs to orig	<a href="#">135131</a>	41,45 €	77	Clamp for repair bellows	<a href="#">135832</a>	1,19 €
77	Clamp, air hose	<a href="#">209004</a>	2,77 €	77	Lock / winding clip for 9mm strap	<a href="#">109835</a>	2,84 €
77	1m metal strip, 9mm clamp	<a href="#">109830</a>	3,09 €	83	Locking shim, e.g. at rr axle	<a href="#">135178</a>	4,84 €
85	Bolt, rr axle ctre joint	<a href="#">135713</a>	130,66 €	86	Locking ring	<a href="#">235322</a>	3,09 €
87	Rubber ring, swing link	<a href="#">235304</a>	3,50 €	88	Shim at ctr bolt rr axle joint	<a href="#">235305</a>	15,71 €
88	Shim at ctr bolt rr axle joint	<a href="#">235705</a>	10,00 €	90	Shim, 2.0mm thick, standard size	<a href="#">235306</a>	16,53 €
90	see 235718	<a href="#">235624</a>	27,89 €	90	Shim, 2.2mm thick, repair size	<a href="#">235716</a>	23,42 €
90	Shim, 2.4mm thick, repair size	<a href="#">235718</a>	17,50 €	91	Rear axle tube bushing	<a href="#">235050</a>	29,63 €
93	Sleeve, length 25.6mm	<a href="#">235656</a>	46,79 €	93	Sleeve, length 26.0mm (std)	<a href="#">235807</a>	47,30 €
95	Cap,to235308	<a href="#">235309</a>	1,32 €	96	Cotter Pin for Rear Diff Mounting Strut	<a href="#">235810</a>	17,48 €
97	Sleeve, axle to center support	<a href="#">135012</a>	91,52 €	98	Spacer sleeve, R/A 5501578>	<a href="#">135011</a>	29,75 €
100	Lock washer	<a href="#">235301</a>	2,59 €	101	Hex Bolt on Differential Mounting Strut	<a href="#">235324</a>	17,17 €
107	Spring washer, u/j bolt	<a href="#">235303</a>	0,42 €	109	Grease nipple, M6	<a href="#">235048</a>	0,95 €
110	Grease nipple, 45°, M6	<a href="#">235047</a>	0,50 €	110	Cap for grease nipple, red	<a href="#">333048</a>	0,65 €
116	Wheel lug nut, 190SL, Ponton	<a href="#">199022</a>	2,88 €	120	Sealring	<a href="#">143804</a>	11,86 €
121	Gasket, axle tube to brake base 190...	<a href="#">143002</a>	9,81 €	122	Rear axle roller bearing, RT, (drum shape rollers)	<a href="#">135058</a>	71,40 €
122	Rear axle ball-bearing	<a href="#">235005</a>	25,69 €	122	Rear axle roller bearing, RT, (drum shape rollers)	<a href="#">135858</a>	67,38 €
124	Rear axle lock plate	<a href="#">235006</a>	12,79 €	125	Axle shaft grooved nut	<a href="#">135057</a>	11,29 €
126	Rear axle seal (inner)	<a href="#">143001</a>	5,82 €	149	Drive pinion with ring gear 1:3.7	<a href="#">135085</a>	970,20 €
155	Bevel gear 10 teeth	<a href="#">135155</a>	479,99 €	160	Rear axle inner bearing	<a href="#">135070</a>	39,98 €
161	Locking, simplified, Repro, nose ctre position	<a href="#">135606</a>	6,68 €	161	Locking, simplified, Repro, nose outer position	<a href="#">135607</a>	6,68 €
161	Locking, simplified, Repro, nose outer position	<a href="#">135608</a>	6,68 €	164a	Cyl.roller bearing 80x40x23	<a href="#">135050</a>	93,19 €
166	Roller bearing at pinion	<a href="#">135055</a>	202,00 €	168	Screw at diff.cover	<a href="#">135047</a>	9,94 €
170	Seal ring, input shaft	<a href="#">135818</a>	21,00 €	174	Grooved nut with locking ring	<a href="#">135017</a>	42,90 €
175	Lock ring, rear axle	<a href="#">135821</a>	5,00 €	175	Lock ring, rear axle	<a href="#">135021</a>	5,58 €
176	Pin, differential	<a href="#">135159</a>	148,99 €	261	Barrel roll 4x4, rear axle slip joint	<a href="#">135261</a>	2,50 €

## 40, 41, 81 Wheels, Prop.-Shaft, Wheel trim

### 40, 41, 81 Wheels, Prop.-Shaft, Wheel trim

40, 41, 81 Wheels, Prop.-Shaft, Wheel trim



LK 80 / M10	3x	6x	3x	1x	3x	3x	3x	set	LK 80mm → ...6500172	ca. Jan.1956, zeitgleich mit Wegfall Getriebegummilager
LK 90 / M12	3x	6x	3x	1x*	3x	3x	3x	set	LK 90mm ...6500173 →	in time with abolition of rr.gearbox-rubbermount

\* Bauform von Gelenkscheiben aktualisiert:  
 rund anstelle sechseckig. Einbaulage bei LK 90mm nicht mehr richtungsgebunden  
 Flex disc design updated: round instead hexagonal, fitment position (late disc) irrelevant

	Joint disc, 90mm bolt circle	<a href="#">241801</a>	55,93 €		hex nut M12 fine, locking, flat shape	<a href="#">741048</a>	0,57 €
	Self locking nut M12 X 1,5	<a href="#">733113</a>	1,93 €	set	Hardy Rep-set 90mm,look for 24180	<a href="#">241000</a>	201,11 €
1	Steel rim 5 x 13, reproduction	<a href="#">140803</a>	243,95 €	1	n.l.a. Steel rim 5x13 used,checked, W11	<a href="#">140003</a>	361,17 €
2	Wheel lug nut, 190SL, Ponton	<a href="#">199022</a>	2,88 €	4	"6.40x7.00 R13" aftm."	<a href="#">140001</a>	190,40 €
4	"185/80/13" 1,5cm white wall	<a href="#">140002</a>	145,00 €	4	Tyre 6.40 x 7 x 13 87S, Vredestein Sprint (no white)	<a href="#">140004</a>	177,31 €
5	Wheel trim ring, 13", s.steel, Repro	<a href="#">181130</a>	47,01 €	5	"Wheel trim ring chromed, 13"	<a href="#">181030</a>	111,18 €
10rep	Rep flange, DIY, 90mm front end prop shafts	<a href="#">141828</a>	172,55 €	15	Centering cross, pitch circle 90,   inner diameter:28,6	<a href="#">141030</a>	102,99 €
16	Joint disc, 80mm bolt circle, eg 190earl	<a href="#">141001</a>	67,95 €	16	Joint disc, 90mm bolt circle	<a href="#">241001</a>	71,25 €
19	Bolt, prop.shaft flange (2x6 req)	<a href="#">141016</a>	13,73 €	19	Bolt, prop.shaft flange (2x6 req)	<a href="#">141816</a>	15,45 €
20	Bolt, Gear->Hardy90, 190'56->, 230SL	<a href="#">141013</a>	17,73 €	20	"Bolt, joint@prop-shaft ->'56; HC 80mm"	<a href="#">141009</a>	20,65 €
20	Stud bolt, flex disc to prop shaft	<a href="#">141012</a>	15,35 €	20	Bolt, trans to flex disc.>6500172	<a href="#">141011</a>	19,99 €
21	Washer, prop disc late (d90)	<a href="#">141008</a>	5,46 €	21	Washer 10,5 fits 80mm prop disc	<a href="#">141007</a>	4,86 €
22	Split pin 2,5 x 25, fits crown nuts seering linkage	<a href="#">133007</a>	0,24 €	22	"Nut for propshaft bolts 10mm ->'56;HC8	<a href="#">141019</a>	1,49 €
22	lock nut full metal M12 X 1,5 flat type	<a href="#">241113</a>	0,77 €	23	del-t: rbr seal ring @ prop shaft	<a href="#">241807</a>	9,98 €
26	O' ring, star-flange to prop shaft	<a href="#">241013</a>	1,32 €	28	retaining ring for bores 30 X 1,2	<a href="#">241021</a>	0,46 €
30	Prop shaft cross, bearg. "26" -->7500982	<a href="#">141021</a>	142,80 €	30	Prop shaft cross, bearg. "26" -->7500982	<a href="#">141821</a>	235,62 €
32	Grooved nut	<a href="#">141061</a>	7,85 €	33	A1829940043 Lock plate	<a href="#">141062</a>	9,34 €
41	Bush,rubber,p.scentre bearing	<a href="#">141018</a>	18,65 €	42	Ball bearing, ctr support prop shaft	<a href="#">141015</a>	11,90 €
43	Washer at prop shaft covering	<a href="#">141029</a>	7,78 €	43	Cover plate, prop shaft mount	<a href="#">141005</a>	54,99 €

51 Cross bearing assy"28", 57->67, [141822](#)  
grease channel

155,35 € 51

5500750->  
Cross bearing assy"28", 57->67, no [141022](#)  
grease channel

309,00 €

## 40, 81.b Info Wheel decoration

40, 81.b Info Wheel decoration



**Vor Bestellung / Montage von Zierringen  
bitte Felgenbauart prüfen.**

**Please check design of wheel rims before  
ordering / mounting trim rings.**



**Chromradkappen werden  
unlackiert geliefert**

*Chrome hub caps will be  
supplied unpainted.*



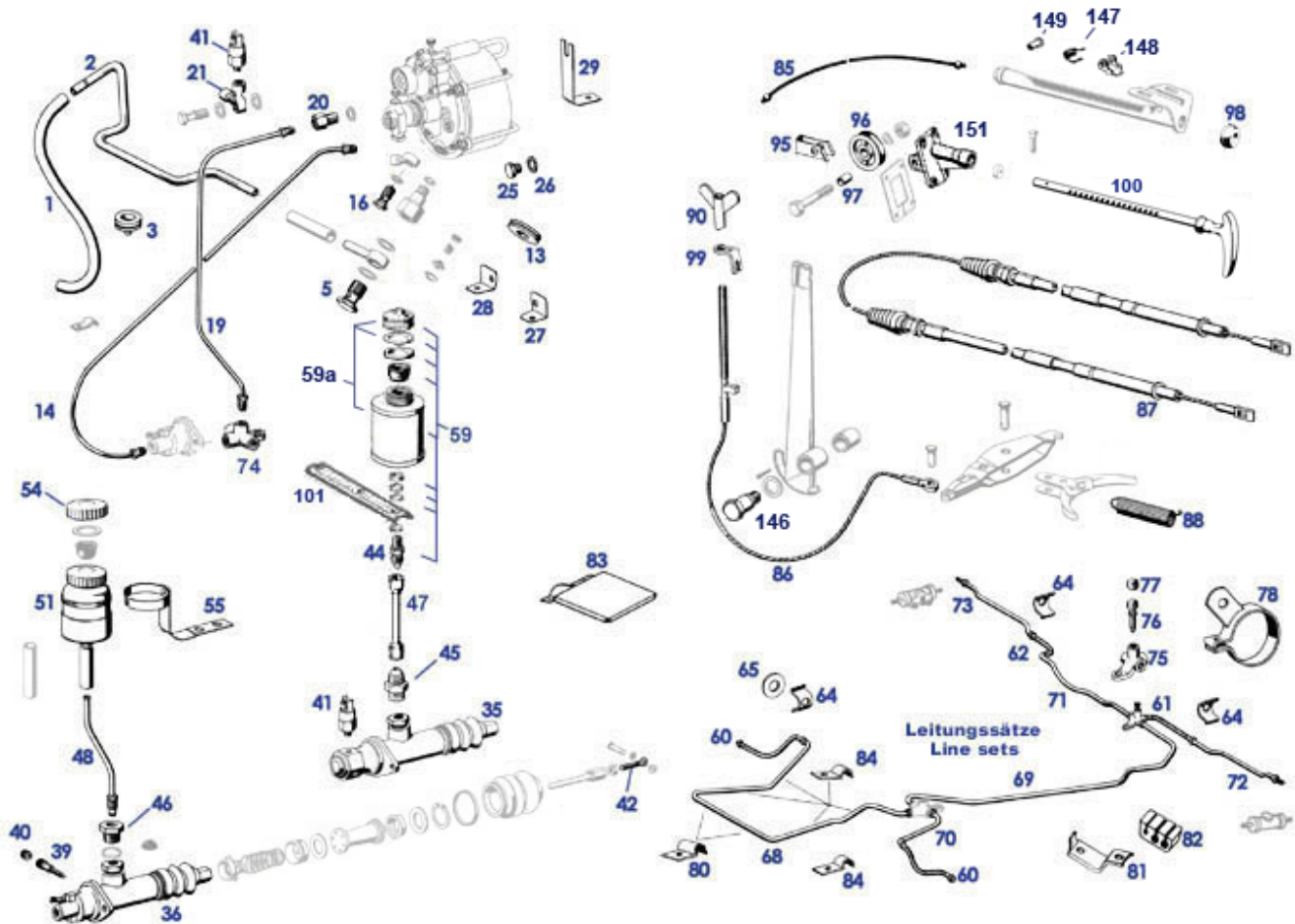
**Lackierhilfe für Centerkappe der  
13" und 14"-Felgen. Anleitung beachten.**

**Painting template fits center cap  
of 13" and 14" rims. Consider instruction.**

## 42 Brakes

### 42.c Brake (Linings, Mastercylinder, Handbrake)

42.c Brake (Linings, Mastercylinder, Handbrake)



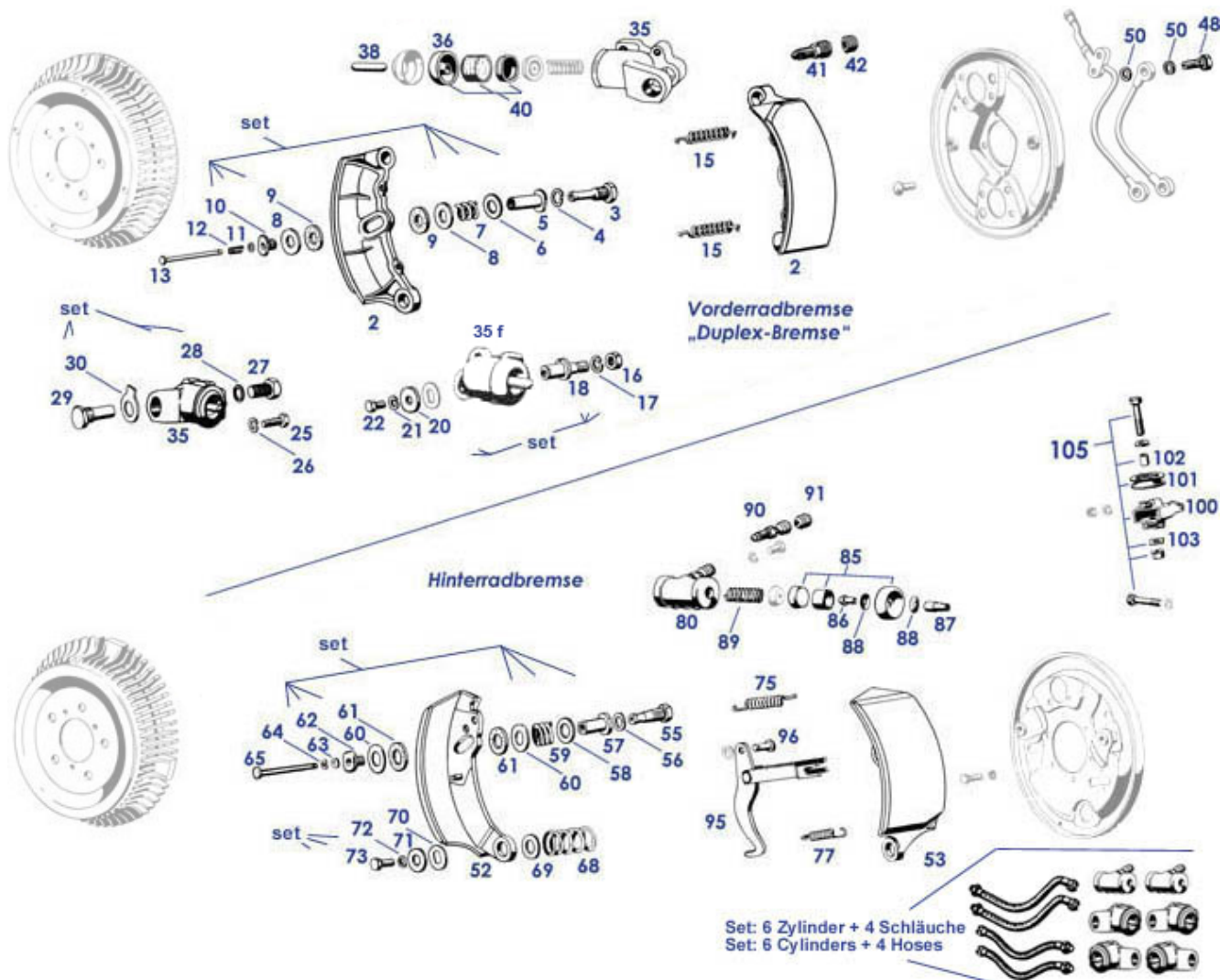
	pair of brackets @ T50	<a href="#">142115</a>	65,45 €			
	threaded hollow fitting nut, M12x1, hex12	<a href="#">943019</a>	2,49 €	ring	Brakeline 450mm:R-RH(drumbrke),+frtLH'6	<a href="#">142020</a> 24,89 €
1	Spray prot.plate, metal reservoir	<a href="#">142074</a>	5,46 €	strain	Gasket, metal reservoir	<a href="#">142075</a> 4,25 €
	1m rubber hose ID 10mm, 5mm wall	<a href="#">943028</a>	32,78 €	2	Strainer, metal reservoir	<a href="#">142073</a> 7,28 €
2	Clamp, e.g. vac pipe	<a href="#">142138</a>	4,94 €	3	Metal pipe, booster-vac, 190SL-T50, LHD	<a href="#">142132</a> 154,89 €
5	Fiber seal ring M22	<a href="#">142098</a>	0,60 €	8	Rubber grommet 11/30, bulkh(190),107,..	<a href="#">299017</a> 1,59 €
13	Rubber grommet	<a href="#">299005</a>	2,59 €	14	retaining ring for bores 17 X 1	<a href="#">142095</a> 0,20 €
16	Hollow screw, pipe conn.	<a href="#">142049</a>	11,96 €	19	Brake line, T-50->master-cyl. LHD	<a href="#">142021</a> 15,30 €
19	Brake line, T-50->dist. blk. 8501755->	<a href="#">142023</a>	24,94 €	21	Brake line, T-50->dist. blk.->8501754	<a href="#">142022</a> 15,71 €
22	Hollow bolt	<a href="#">142094</a>	6,49 €	25	Junction Y at booster	<a href="#">142048</a> 77,25 €
26	Copper seal ring	<a href="#">207115</a>	0,62 €	27	Screw plug @ booster face	<a href="#">142099</a> 5,80 €
28	Front Lt. long mounting bracket	<a href="#">142107</a>	64,90 €	28	Front Lt. short mounting bracket	<a href="#">142109</a> 24,99 €
28	Front Rt. long mounting bracket	<a href="#">142106</a>	63,49 €	28	Front Rt. short mounting bracket	<a href="#">142108</a> 28,91 €
35	"Master Cylinder, 190SL w/o T50	<a href="#">143011</a>	369,69 €	29	Rear mounting bracket	<a href="#">142105</a> 24,01 €
39	Bleeder screw, '58->, M6	<a href="#">143012</a>	9,98 €	36	"Master Cylinder, 1-1/16" (with T-50)"	<a href="#">143010</a> 265,00 €
41	plug, ATE 03.3517-0300.1	<a href="#">943017</a>	3,93 €	40	Bleeder valve cap, brake, steering	<a href="#">143041</a> 2,56 €
41	M10 x 1 ATE blug bolt	<a href="#">943018</a>	14,99 €	41	Brake light switch, replaced style	<a href="#">142045</a> 27,00 €
41	Rubber Boot on to Theroswitch	<a href="#">254125</a>	9,39 €	41	Brake light switch, replaced style	<a href="#">142845</a> 21,29 €
44	Threaded fittings	<a href="#">142031</a>	30,64 €	42	Thrust rod	<a href="#">142058</a> 41,47 €
				45	Reducer fitting, Mastercyl early, (where metal reservoir)	<a href="#">142009</a> 47,47 €



46	A0004281230 Reducer fitting 8501755>	<a href="#">142006</a>	71,34 €	47	Brake fluid pipe, to LHD metal reservoir	<a href="#">142040</a>	168,11 €
48	Brake line, master-cyl.->tank 8501755>	<a href="#">142025</a>	34,99 €	51	Brake fluid reservoir '58->, ATE	<a href="#">142001</a>	43,55 €
54	A0004315433 Reservoir cap	<a href="#">143023</a>	14,52 €	55	Holding bracket, FN style	<a href="#">142056</a>	129,29 €
59a	Brake fluid reservoir 190SL->'58, brass chromed	<a href="#">142805</a>	129,00 €	59	Reservoir, metal version, LHD	<a href="#">142178</a>	127,50 €
60	Brake hose front, Lt. or Rt.	<a href="#">143035</a>	50,10 €	61	Brake hose rear left up to model year 1966	<a href="#">143051</a>	31,36 €
62	Brake hose, rr.rh. 220mm, W121,113,111,108...COH	<a href="#">143052</a>	49,99 €	64	Retaining clamp, brake hose	<a href="#">143036</a>	0,99 €
65	Washer	<a href="#">143039</a>	3,25 €	68	Brake line, ca. 239cm, 190SL w.T-50, front Rt.	<a href="#">142013</a>	22,00 €
68	Brake line, LHD ctre to RH, no-T50-car	<a href="#">142027</a>	24,99 €	69	Brake line 219,5cm, 190SL LHD w.T50, ctre	<a href="#">142017</a>	19,68 €
70	Brake line 390mm	<a href="#">142814</a>	10,95 €	71	Brake line 500mm: rr ctre 190SL+ pontoo	<a href="#">142010</a>	6,60 €
72	Brake pipe 430mm: rr LH 190SL+pontoon	<a href="#">142030</a>	5,68 €	73	Brake line 480mm, e.g. 190SL rr rh	<a href="#">142812</a>	9,71 €
74	Pipe terminal front, thread: 4X M10X1	<a href="#">142825</a>	33,51 €	74	Pipe terminal frt, Original	<a href="#">142129</a>	392,59 €
74	adaptor M10X1/M12X1	<a href="#">142826</a>	13,90 €	75	Verteiler Bremsltg. m.Entl. hi. 57->	<a href="#">242104</a>	311,26 €
75	Distributor, brake lines, 3 conn., no bleeder	<a href="#">142008</a>	19,27 €	76	A3075530107 Bleeder screw at booster	<a href="#">242007</a>	9,12 €
78	Tube clamp	<a href="#">142055</a>	105,55 €	80	Pipe clamp,brake line @ frt	<a href="#">143037</a>	5,99 €
81	Fuel and brake line clamp, for 30mm rubbers	<a href="#">147014</a>	2,32 €	82	Rubber guide	<a href="#">147038</a>	3,76 €
83	Heat shield, brake line to RH-wheel	<a href="#">168142</a>	131,29 €	83	Screw 3,9	<a href="#">299279</a>	0,27 €
84	Clamp 5mm e.g. brake lines	<a href="#">143038</a>	0,50 €	85	Brake cable for pull rod, LHD	<a href="#">143033</a>	39,98 €
86	Emergency brake cable, middle	<a href="#">143944</a>	138,40 €	87	Brake wire rear, Repro	<a href="#">143160</a>	115,68 €
88	Emergency brake spring	<a href="#">142555</a>	34,32 €	90	wing nut, parking brake adjustment	<a href="#">143068</a>	117,18 €
95	Guide, brake wire	<a href="#">143072</a>	43,27 €	96	Handbrake cable roller	<a href="#">242149</a>	95,37 €
97	Pulley bushing	<a href="#">142834</a>	11,76 €	98	Bufferring, parking brake rod	<a href="#">142821</a>	24,99 €
98	Bufferring,handbrakerod	<a href="#">142041</a>	41,65 €	99	Bracket at brake lever	<a href="#">143054</a>	26,87 €
101	Support strut, 175mm, metal reservoir	<a href="#">142038</a>	43,26 €	146	Bolt, lever support bearing	<a href="#">143069</a>	23,80 €
147	A1209930020 Spring at hand brake catch	<a href="#">143065</a>	2,38 €	148	A1204270115 Catch at hand brake lever	<a href="#">143064</a>	39,87 €
149	A0009910081 Rivet pin at hand brake cat	<a href="#">143066</a>	11,90 €	151	wheel-bracket, brake wire guide	<a href="#">142151</a>	249,25 €

## 42.a Brake (Wheels)

42.a Brake (Wheels)



Almost from the start of production (from the rear axle 5500230), 190SL were completely equipped with cooled drums. Drums without radial ribs can be an indication of a ponton axle, the rear axle may be fitted with narrower jaws in this case. Brake shoes were replaced by the type "W180" in the "W110" type, which should be done by the axle and the retention springs must fit. For change details on the front cylinders please visit our page 42. B.

	Return spring Rt. ->024160 repro	<a href="#">142720</a>	27,75 €		Spring washer, fits M6	<a href="#">181028</a>	0,18 €
	Pulley bushing	<a href="#">142834</a>	11,76 €		Friction washer	<a href="#">142815</a>	6,19 €
	A1839903540 Washer for 142147	<a href="#">142148</a>	4,76 €		Return spring Lt. ->024160 repro	<a href="#">142710</a>	30,15 €
2	Brake shoe frt, Alu, 65mm wide	<a href="#">142000</a>	115,43 €	3	Pin, Brake adjuster- from 5500131	<a href="#">142071</a>	44,45 €
5	Adjusting sleeve, from 5500131	<a href="#">142914</a>	21,23 €	6	Brake adjuster shim 0,45mm	<a href="#">199003</a>	7,56 €
7	Brake adjuster spring	<a href="#">142032</a>	5,03 €	8	Thrust washer, shoe adjustment spring	<a href="#">199001</a>	6,63 €
9	Friction washer	<a href="#">142915</a>	9,87 €	10	T- nut brake shoe	<a href="#">142903</a>	7,68 €
11	Washer 5.3mm	<a href="#">142905</a>	0,24 €	12	spring at shoe guide pin	<a href="#">142917</a>	3,49 €
13	Guidebolt, frt brake	<a href="#">142035</a>	9,34 €	13	Split pin 3x22	<a href="#">142089</a>	0,12 €
16	hex nut, early brake bolt	<a href="#">142919</a>	1,38 €	17	M12 DIN 127 lock washer	<a href="#">233042</a>	0,39 €
18	pivot pin brake shoes to cylinders early style	<a href="#">142036</a>	115,00 €	20	Washer, rr brake	<a href="#">142911</a>	15,46 €
22	Bolt, M8 x 12 zincd	<a href="#">799942</a>	1,07 €	25	M8x15-933 hex head bolt	<a href="#">142912</a>	0,56 €
27	Srew, w/cyl. to anchor plate	<a href="#">142034</a>	5,46 €	29	Bolt, fits late or renewed brake cyl	<a href="#">142033</a>	14,65 €
30	Lock Plate	<a href="#">142044</a>	2,98 €	35f	Brake cylinder; left; 28,57mm, early version	<a href="#">443031</a>	149,99 €
35f	Brake cylinder; right; 28,57mm, early version	<a href="#">443041</a>	149,99 €	35	Wheel cyl. frt Lt. 021835>	<a href="#">143830</a>	78,58 €
35	Wheel cyl. frt RH. 021835>	<a href="#">143840</a>	78,58 €	35	Wheel cyl. ATE frt Rt. 021835>	<a href="#">143040</a>	135,09 €
35	Wheel cyl. ATE front left, 021835>	<a href="#">143030</a>	135,09 €	36	Dust cap, wheel cyl.	<a href="#">143031</a>	9,50 €
38	N/A Thrust pin wheel cyl.	<a href="#">143832</a>	16,26 €	38	Thrust pin wheel cyl. orig / rest	<a href="#">143032</a>	23,80 €
40	Repr. kit, fr. wheel cyl. ATE	<a href="#">143045</a>	98,37 €	41	Bleeder valve (M10 fine), 190brake, Steerg(Pws)	<a href="#">142003</a>	6,90 €
42	Bleeder valve cap, brake, steering	<a href="#">143041</a>	2,56 €	47	Brake line, between wheel cylinder	<a href="#">142012</a>	156,89 €

48	Hollow bolt brake cylinder	<a href="#">142018</a>	9,57 €	50	Seal ring 10x13,5, copper, e.g. wheel cyl, ..	<a href="#">142039</a>	0,46 €
52	Set late brake shoes 65mm 4pce (exchange)	<a href="#">142086</a>	305,00 €	52	Set early brake shoes 65mm 4pce (exchange)	<a href="#">142085</a>	305,00 €
52	Set of brake shoes 65mm 4pce	<a href="#">142885</a>	241,15 €	57	Brake adj. sleeve 5500168>	<a href="#">142901</a>	25,79 €
64	Washer, waved shape, M5, zined	<a href="#">142904</a>	0,25 €	65	Split pin 2,5 x 16	<a href="#">142091</a>	0,18 €
65	Guide pin rear brake w/spg	<a href="#">142090</a>	9,34 €	68	spring at rear brake shoe support plate, brake, rectangular hole, 1.0mm	<a href="#">142908</a>	12,26 €
69	Washer rr brake, betw.spring and shoes	<a href="#">142909</a>	3,15 €	70	Return spring Lt. ->024160 repro	<a href="#">142410</a>	6,55 €
72	Waved spring washer M8	<a href="#">799911</a>	0,18 €	75	Spring, fitting190SL from 024160 L/R, +230SL	<a href="#">142510</a>	23,43 €
75	Return spring Rt. ->024160 repro	<a href="#">142520</a>	23,43 €	75	Brake cylinder rear '57-> + replacements	<a href="#">142810</a>	12,25 €
77	Return spring, brake lever, fits L/R	<a href="#">142820</a>	4,61 €	80	Push rod, 1 pce, rr wheel cyl.	<a href="#">143050</a>	107,99 €
85	cyl.kit 23,81mm cyl.piston 7500148>	<a href="#">143049</a>	45,53 €	86	Brake rope housg. LH repro	<a href="#">242072</a>	11,39 €
95	Handbrake lever, Rt.	<a href="#">142043</a>	258,65 €	100	Brake rope housg. RH, Repro	<a href="#">142707</a>	195,10 €
100	Bolt M6 at rope roll	<a href="#">142156</a>	0,75 €	100	Pulley assembly, right, repro	<a href="#">142708</a>	195,10 €
101	wheel, brake wire guide	<a href="#">142150</a>	98,60 €	105	Spring washer M7	<a href="#">158820</a>	399,99 €
105	Pulley assembly, left, repro	<a href="#">158810</a>	399,99 €	109		<a href="#">142152</a>	0,18 €

## 42.d Info Brake Shoes rear

42.d Info Brake Shoes rear



Set of brake shoes 65mm 4pce	<a href="#">142885</a>	241,15 €	52	Set early brake shoes 65mm 4pce (exchange)	<a href="#">142085</a>	305,00 €	
75	Return spring Lt. ->024160 repro	<a href="#">142710</a>	30,15 €	75	Return spring Rt. ->024160 repro	<a href="#">142720</a>	27,75 €
75a	Spring, fitting190SL from 024160	<a href="#">142810</a>	12,25 €	77	Return spring, brake lever, fits L/R	<a href="#">142820</a>	4,61 €

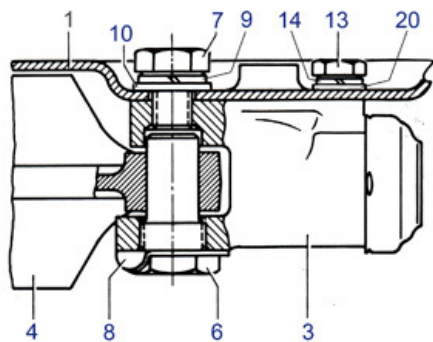
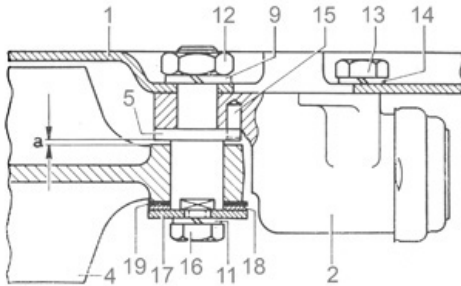
## 42.b Info Wheel Cylinder front

42.b Info Wheel Cylinder front

### 190SL Vorderradbremse



erste Generation Bremsbacken-Lagerung,  
nur noch vereinzelt Teile verfügbar,  
Umbau in aktualisierte Lagerung empfohlen,  
Ankerplatten können wieder verwendet werden



aktualisierte Bremsbacken-Lagerung

- 1 Ankerplatte
- 2 Zylinder erste.Generation
- 3 Zylinder aktualisierte Bauweise
- 4 Bremsbacke
- 5 Lagerungsbolzen erste Generation
- 6 Lagerungsbolzen aktualisierte Version \*\*
- 7 Befestigungsschraube aktualisiert \*\*
- 8 Sicherungsblech \*\*
- 9 Federscheibe \*\*
- 10 Unterlegscheibe \*\* \*
- 11 Federscheibe
- 12 Mutter
- 13 Befestigungsschraube
- 14 Federscheibe
- 15 Stift
- 16 Schraube
- 17 Scheibe
- 18 Scheibe
- 19 Ausgleichsscheiben Dicken nach Bedarf
- 20 Scheibe \*

\* Scheiben 10 und 20 sind ergänzende Empfehlung, alternativ zu einer Kürzung der Schrauben 7 und 13.

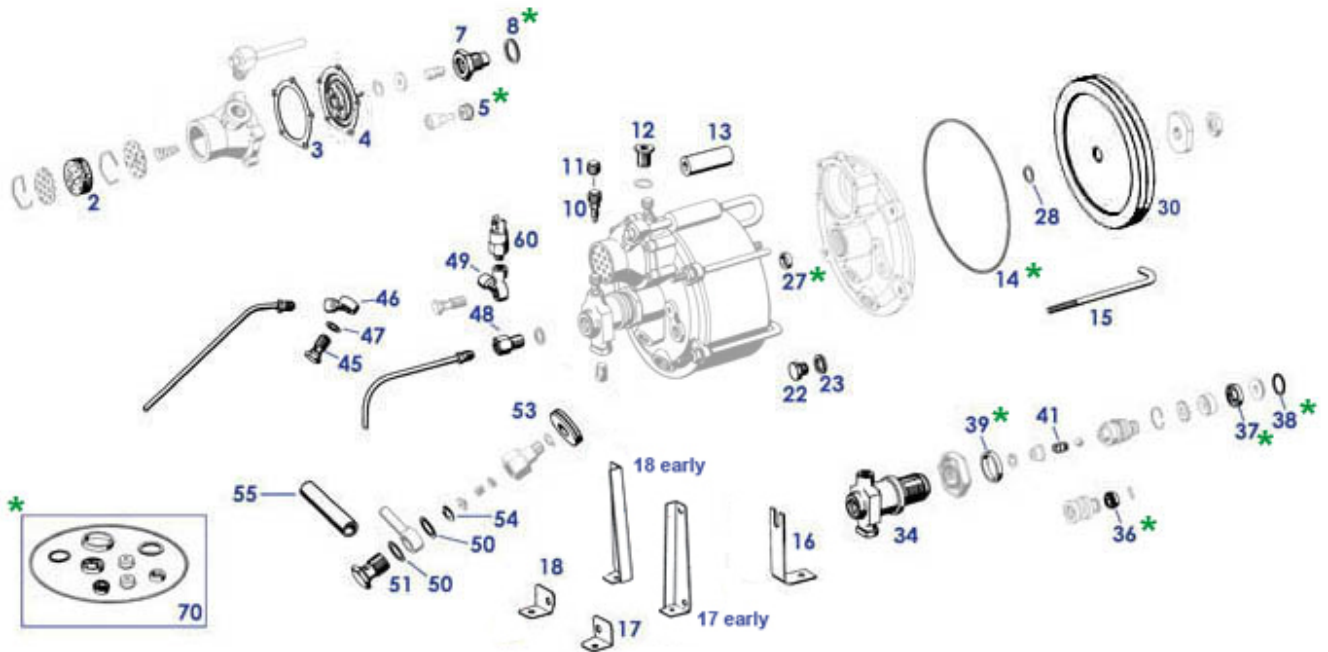
\*\* Diese Teile sind Inhalt im Ergänzungs-Set 143020 zur Umrüstung einer Vorderachse

To date, a significant proportion of the old cylinders have been updated on the vehicles as the old cylinders have worn & been replaced by the later type, so that the modification date is only rarely meaningful: officially from the front axle number 021835 (approx. February 1961), the cylinder version shown below was used. When mounting, make sure that there is a residual distance between the bolts 7 + 6: over tension destroys the cylinder.

	hex nut,early brake bolt	<a href="#">142919</a>	1,38 €		Spring washer, fits M6	<a href="#">181028</a>	0,18 €
	Spring washer	<a href="#">222005</a>	0,44 €	2	Brake cylinder; left; 28,57mm, early version	<a href="#">443031</a>	149,99 €
2	Brake cylinder; right; 28,57mm, early version	<a href="#">443041</a>	149,99 €	3	Wheel cyl. frt Lt. 021835>	<a href="#">143830</a>	78,58 €
3	Wheel cyl. ATE front left, 021835>	<a href="#">143030</a>	135,09 €	3	Wheel cyl. ATE frt Rt. 021835>	<a href="#">143040</a>	135,09 €
3	Wheel cyl. frt RH. 021835>	<a href="#">143840</a>	78,58 €	4	Brake shoe frt, Alu, 65mm wide	<a href="#">142000</a>	115,43 €
6	Bolt, fits late or renewed brake cyl	<a href="#">142033</a>	14,65 €	7	Srew, w/cyl. to anchor plate	<a href="#">142034</a>	5,46 €
8	Lock Plate	<a href="#">142044</a>	2,98 €	9	M12 DIN 127 lock washer	<a href="#">233042</a>	0,39 €
10	Washer 13x20x2 zincked	<a href="#">199142</a>	0,32 €	13	M8x15-933 hex head bolt	<a href="#">142912</a>	0,56 €
14	Locking ring M8	<a href="#">299327</a>	0,18 €	16	Bolt, M8 x 12 zincked	<a href="#">799942</a>	1,07 €
17	Washer, rr brake	<a href="#">142911</a>	15,46 €	20	Washer 8,4mm, standard, yellow zincked	<a href="#">299326</a>	0,11 €

## 43 Brake Booster T50

43 Brake Booster T50

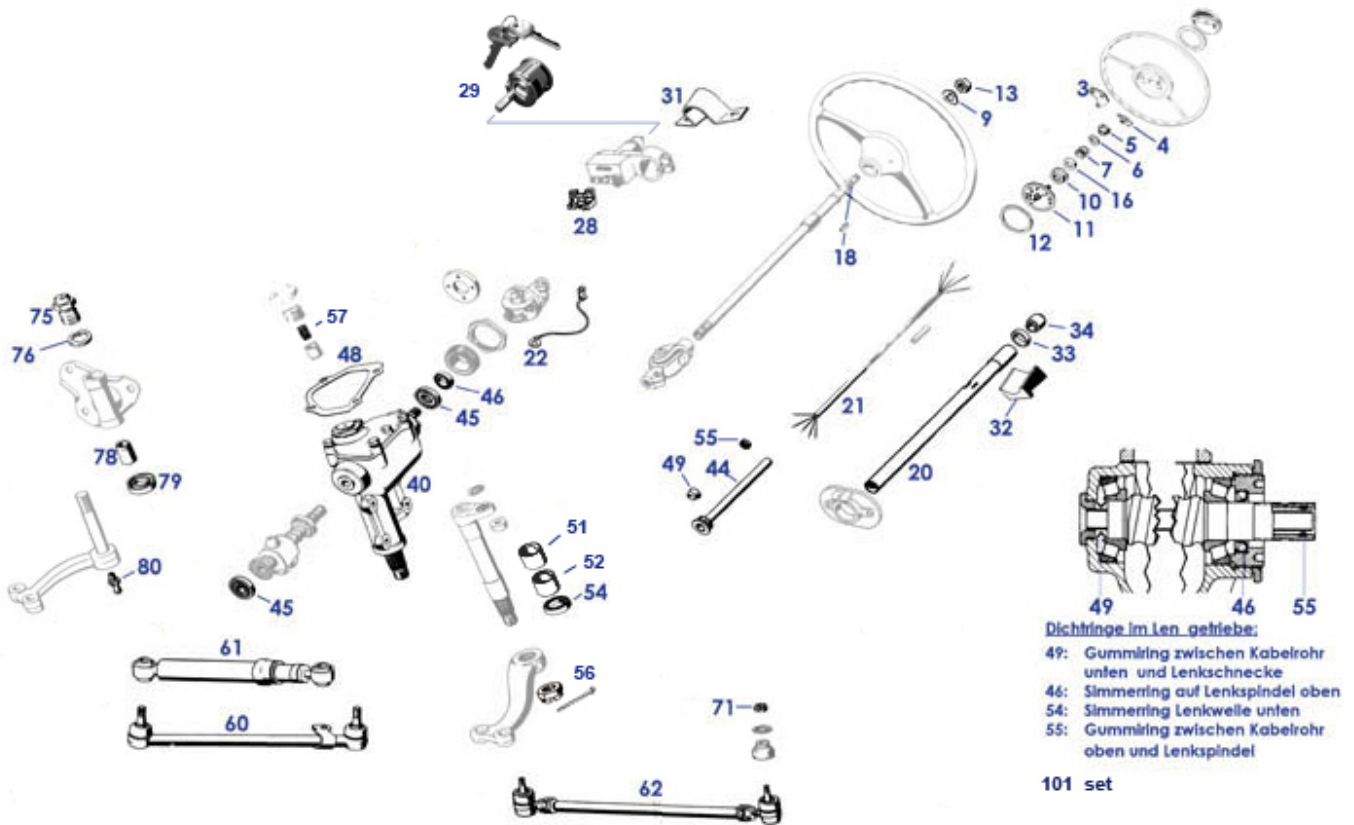


The T50 is an early development of the vacuum brake booster and was from VIN 6501956 standard equipment in the 190SL. Due to the location - independent installation (no mechanical connection to the pedal system or main brake cylinder), the retrofitting to earlier 190SL was popular and possible in RHD vehicles as well, however, the brake pipe position and main brake cylinder type have to fit. For limousines (up to W111) almost identical brake devices are placed at the front left in the engine compartment, as used parts are difficult to identify, comparing with the 190SL versions (e.g., length working cylinders). Known MB part numbers for T50 are 000 430 1230, 000 430 1430, 000 430 2130, to the latest version, ATE and MB Classic Center initiated a new edition after a long delivery gap. In the case of vehicle restoration, please make sure that the position of the brake light switch is checked, since only a replaced late switch (SLS part no. 142045) is available, mounting on top, to Y-style-fitting MB A0004281924

pin	Pin at booster piston	<a href="#">143014</a>	0,49 €	2	Filter for brake booster	<a href="#">143016</a>	14,29 €
3	Gasket	<a href="#">143091</a>	12,50 €	4	Membrane, control cyl. T50	<a href="#">143090</a>	202,72 €
4	Diaphragm control cyl. T50	<a href="#">143190</a>	392,69 €	5	Grooved rubbercup, ctrl.-cyl. T50	<a href="#">143095</a>	28,00 €
7	Ctrl-Cylinder for Booster T50	<a href="#">143017</a>	126,53 €	8	Seal ring, ctrl.cyl. T50, square profile	<a href="#">143018</a>	27,80 €
8	Seal ring, ctrl.cyl. T50, round profile	<a href="#">143818</a>	27,14 €	10	A3075530107 Bleeder screw at booster	<a href="#">242007</a>	9,12 €
11	Bleeder valve cap, brake, steering	<a href="#">143041</a>	2,56 €	12	Reducer fitting @ T50 booster	<a href="#">143027</a>	37,97 €
14	O-ring	<a href="#">143006</a>	21,00 €	15	Tightening bow, T-50	<a href="#">143008</a>	27,13 €
16	Rear mounting bracket	<a href="#">142105</a>	24,01 €	17	Front Lt. short mounting bracket	<a href="#">142109</a>	24,99 €
17e	Front Lt. long mounting bracket	<a href="#">142107</a>	64,90 €	18e	pair of brackets @ T50	<a href="#">142115</a>	65,45 €
18e	Front Rt. long mounting bracket	<a href="#">142106</a>	63,49 €	18	Front Rt. short mounting bracket	<a href="#">142108</a>	28,91 €
22	Screw plug @ booster face	<a href="#">142099</a>	5,80 €	23	Copper seal ring	<a href="#">207115</a>	0,62 €
27	Sealing ring,throttle shaft	<a href="#">143005</a>	4,93 €	28	Seal ring T50	<a href="#">143093</a>	3,19 €
30	Metal plate at diafrgm, T50	<a href="#">143094</a>	216,82 €	34	Cylinder at Booster T50	<a href="#">143107</a>	411,89 €
37	Seal cup, piston tail	<a href="#">143081</a>	35,70 €	38	Seal ring, drv piston	<a href="#">143083</a>	2,78 €
39	Seal ring	<a href="#">143013</a>	35,22 €	41	spring, ref.-No. A0004350684	<a href="#">143079</a>	17,49 €
45	Hollow bolt	<a href="#">142094</a>	6,49 €	49	Junction Y at booster	<a href="#">142048</a>	77,25 €
50	Fiber seal ring M22	<a href="#">142098</a>	0,60 €	53	Rubber grommet	<a href="#">299005</a>	2,59 €
54	retaining ring for bores 17 X 1	<a href="#">142095</a>	0,20 €	55	Clamp, e.g. vac pipe	<a href="#">142138</a>	4,94 €
60	Brake light switch, replaced style	<a href="#">142845</a>	21,29 €	60	Brake light switch, replaced style	<a href="#">142045</a>	27,00 €

# 46 Steering

46 Steering

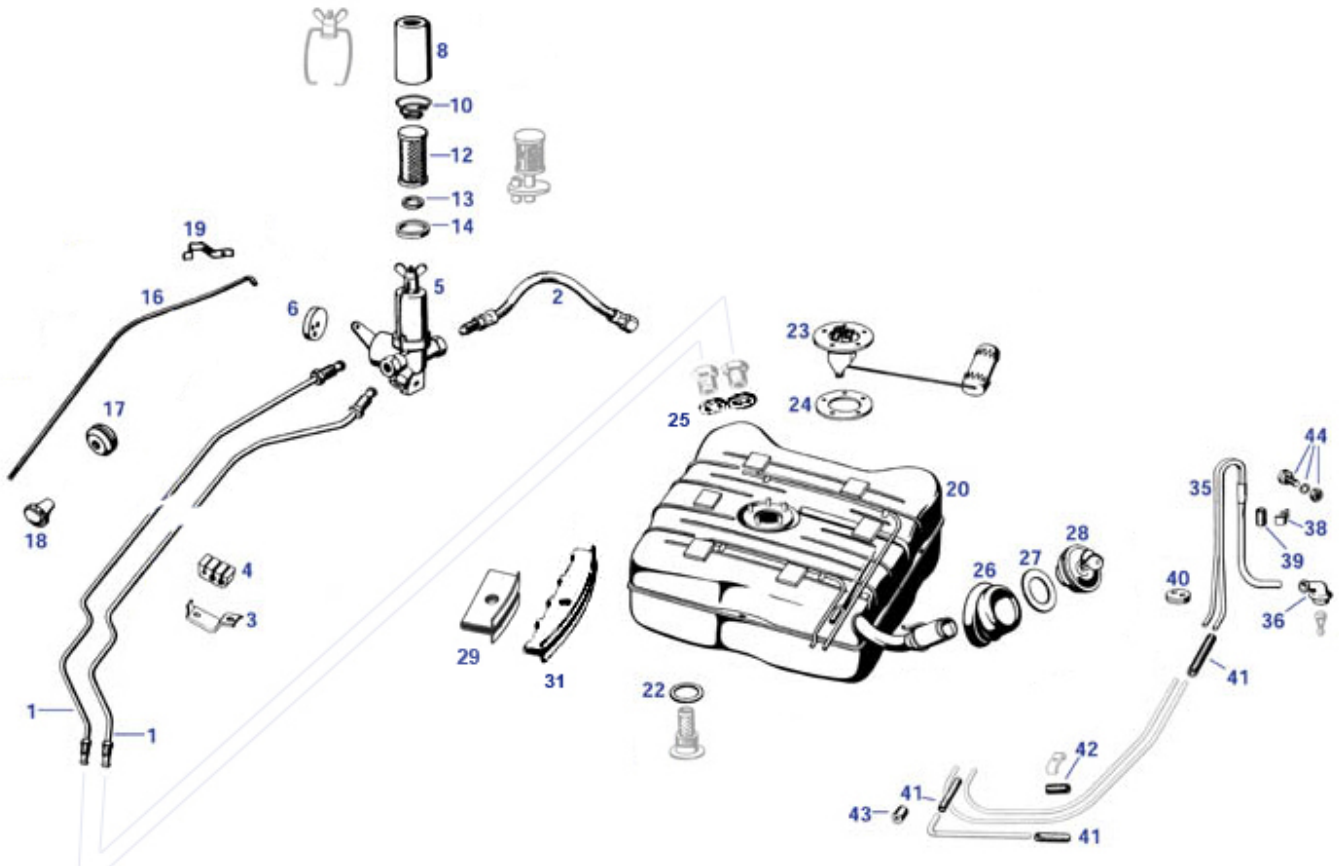


	Cotter pin 2,0 x 25, e.g. tie rod nuts	<a href="#">299460</a>	0,12 €		Castle nut M10X1, thin shape, early	<a href="#">133706</a>	2,45 €
	Chrome clamp, fits spokes of ivory steerg.wheel	<a href="#">146011</a>	49,85 €	3	Locking lever	<a href="#">146014</a>	18,56 €
4	Locking lever spring	<a href="#">146029</a>	1,98 €	5	Steerg wheel crown nut	<a href="#">146034</a>	46,91 €
6	Contact washer	<a href="#">146033</a>	8,75 €	7	Contact plate pressure spring	<a href="#">146016</a>	3,50 €
9	lock shim, steering wheel	<a href="#">146008</a>	13,63 €	10	Brass cup contact	<a href="#">146028</a>	13,30 €
11	Contact plate	<a href="#">146025</a>	519,99 €	12	Contact washer, brass	<a href="#">146032</a>	17,79 €
13	Hex nut, steerg.wheel	<a href="#">146047</a>	18,69 €	16	Isolation washer	<a href="#">146019</a>	4,97 €
18	Woodruff key steerg. column	<a href="#">146009</a>	8,65 €	20	Steeltube, steering column, used	<a href="#">146031</a>	899,64 €
21	Cable harness	<a href="#">154017</a>	124,95 €	21	turn signal wiring harness US	<a href="#">154119</a>	64,99 €
21	Wire harness, USA turn signal	<a href="#">154118</a>	59,65 €	22	Ground strap at univ. joint	<a href="#">146089</a>	14,93 €
27	Plastic cap for steerg-column ign-switch	<a href="#">146051</a>	51,48 €	28	Switch, ign.lock	<a href="#">146050</a>	338,00 €
29	Cylinder and key, repro, for steering lock	<a href="#">146055</a>	479,99 €	31	Clamp 34mm	<a href="#">146018</a>	67,06 €
31	Clamp 38mm	<a href="#">146017</a>	66,76 €	32	Support rubber fits column 34mm	<a href="#">146013</a>	33,05 €
32	Support rubber, fits column 38mm	<a href="#">146012</a>	75,17 €	33	Rubbergrommet at steerg.column, from'56	<a href="#">146039</a>	24,69 €
34	Bushing steering column '57->	<a href="#">146837</a>	4,22 €	40	Steering box in exchange, old box req.	<a href="#">146085</a>	2.401,40 €
44	tube, early	<a href="#">146078</a>	71,10 €	44	Guiding tube f.wires late (5501501->)	<a href="#">146079</a>	69,20 €
45	Bearing, e.g. 190SL steerg	<a href="#">146097</a>	74,90 €	46	Seal ring e.g. steerg box / gear box	<a href="#">227811</a>	2,44 €
46	Seal ring steerg.upper, O-D 32 (early)	<a href="#">146043</a>	4,32 €	48	Gasket steerg box housg	<a href="#">146086</a>	10,23 €
48	Gasket steerg box housg	<a href="#">146786</a>	5,94 €	49	Sealing ring	<a href="#">146088</a>	13,14 €
51	Repair-bushing, upper. steerg box	<a href="#">146083</a>	33,43 €	52	Repair-bushing, lower, steerg box (from box-no...)	<a href="#">146084</a>	33,43 €
54	Seal ring e.g. steering box lower late	<a href="#">146087</a>	9,47 €	54	seal ring steering box early, up to box 021119	<a href="#">146082</a>	6,30 €
55	Sealing ring	<a href="#">146038</a>	7,33 €	56	hexagon thin slotted and castle nut M22 X 1,5	<a href="#">146049</a>	3,31 €
56	Split pin 5 X 45, eg castle nuts steering	<a href="#">246213</a>	0,43 €	57	Coil spring above steering shaft	<a href="#">146094</a>	16,23 €

60	Drag link 190SL ->5501501, LHD	<a href="#">146041</a>	186,43 €	60	Drag link 190,b,SL 5501502->, LHD	<a href="#">146040</a>	74,28 €
61	steering dampener, after 5501502	<a href="#">146080</a>	283,14 €	61	steering dampener, up to 5501501	<a href="#">146081</a>	475,31 €
71	Split pin 2,5 x 25, fits crown nuts	<a href="#">133007</a>	0,24 €	71	Castle nut M10X1, long shape,	<a href="#">133006</a>	2,38 €
	seering linkage				early joint		
75	Idler arm nut	<a href="#">146026</a>	49,66 €	76	Locking tab ring	<a href="#">199005</a>	3,30 €
78	Idler arm bushing	<a href="#">146023</a>	30,08 €	79	Seal ring @ steering link support	<a href="#">146822</a>	8,25 €
80	Cap for grease nipple, red	<a href="#">333048</a>	0,65 €	80	Grease nippleFN	<a href="#">233048</a>	0,89 €

# 47 Fuel Tank

47 Fuel Tank



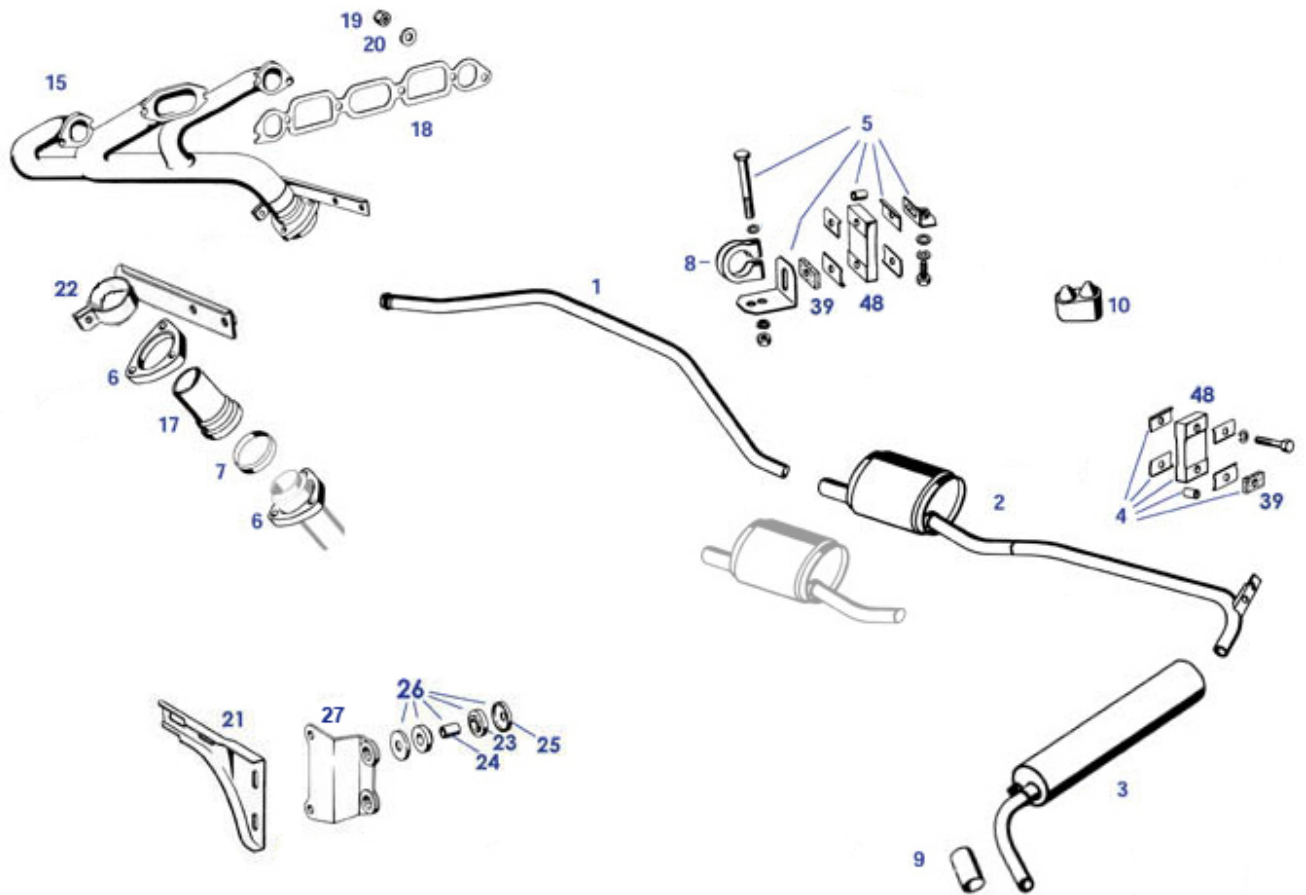
Filter housing late = from VIN 7502461 (identification mark: paper filter insert) - next to the components of the filter the thread of the hose was changed (just before with VIN 7501826). VIN 019283 (11/1960) came with tank ventilation (with components 35 etc. instead of a venting tank cap). SLS recommends this variant when installing a new tank. Tank cap with star and original closure (suitable for door locks) could be ordered with the presentation of vehicle papers in the MB-Classic-Center.

1	Fuel line, male threads	<a href="#">147012</a>	76,04 €	1	Fuel line, female threads 7501824	<a href="#">147013</a>	79,09 €
2	fuel hose 57->, see illustration	<a href="#">147926</a>	81,99 €	2	Fuel hose, 2 female threads, ->57	<a href="#">147027</a>	27,99 €
3	Fuel and brake line clamp, for 30mm rubbers	<a href="#">147014</a>	2,32 €	4	Rubber prot. 3 pipes in clamp	<a href="#">147839</a>	2,59 €
4	Rubber guide	<a href="#">147038</a>	3,76 €	5	Fuel filter housg. 190SL`57-> "large"	<a href="#">147005</a>	531,50 €
5	Kraftstoffumschalter früh, Repro	<a href="#">147825</a>	523,60 €	5	Fuel tap & filter, late (large)	<a href="#">147105</a>	399,99 €
6	Gasket, fuel tap 7502461->	<a href="#">147088</a>	3,72 €	6	Gasket, fuel tap ->7502460	<a href="#">147089</a>	8,56 €
8	Shell, afte) 7502460	<a href="#">147004</a>	60,99 €	12	Filter element, throw away paper	<a href="#">147001</a>	16,60 €
13	Gasket, filter element to housg late	<a href="#">147085</a>	1,36 €	14	Gasket, filter cup 7502461->	<a href="#">147080</a>	2,14 €
14	Gasket, filter cup ->7502460	<a href="#">147081</a>	4,86 €	16	Reserve rod	<a href="#">147075</a>	44,14 €
17	Grommet for front panel	<a href="#">299808</a>	0,77 €	18	Knob for wiper switch...	<a href="#">154044</a>	49,98 €
19	Spring clip	<a href="#">147029</a>	29,90 €	20	Fuel tank,019282->,with breather, 64	<a href="#">147003</a>	959,27 €
21	N/A : Drain plug	<a href="#">147055</a>	49,80 €	22	Alu seal ring M26, e.g. fuel tank	<a href="#">147056</a>	0,95 €
23	Fuel sender, 2-pole, 190SL,Pontoon,Repr	<a href="#">154000</a>	116,99 €	24	Gasket for fuel sender 1956-1972   A1104710180	<a href="#">147015</a>	1,48 €
25	Seal ring f. bolt 705004	<a href="#">705005</a>	0,68 €	26	Grommet, fuel filler neck, 190SL	<a href="#">147717</a>	27,56 €
27	Seal ring @ gas cap	<a href="#">247010</a>	2,98 €	28	Cap, ventilation characteristics unknow	<a href="#">147807</a>	203,47 €
29	Retainer, fuel tank	<a href="#">147822</a>	66,94 €	31	Fuel tank bracket, wide design, see illustration	<a href="#">147022</a>	69,85 €
35	Vent pipe (fuel breather)	<a href="#">147068</a>	59,15 €	36	Grommet, tank vent pipe through carbody	<a href="#">147070</a>	6,52 €
38	Clamp,small,e.g.hydraulicpipe	<a href="#">229027</a>	3,65 €	39	1m. Fuel hose 7,5x13,0 flat surface	<a href="#">247007</a>	8,50 €
40	Grommet, two hole, 5/24, for fuel tank ventilation, rest	<a href="#">199028</a>	5,26 €	40	Grommet, 4,5/10mm, cable@wheelarch	<a href="#">182005</a>	2,53 €
41	1m Fuel hose tank->pump 11/17mm, fabric	<a href="#">247005</a>	10,41 €	41	1 m Fuel hose, 4 x 10	<a href="#">247046</a>	4,76 €
42	1m rubberhose, e.g. ventilation	<a href="#">147067</a>	6,76 €	43	Rubber sleeve	<a href="#">243859</a>	2,38 €



## 49.a Exhaust System

49.a Exhaust System



brkt	Angle bracket, short, black	<a href="#">149046</a>	16,72 €	brkt	Bushing, spacer, e.g. exh hangers 190	<a href="#">149056</a>	4,15 €
brkt	Angle bracket, short, zined W/S glasstrasp. incl. box(Germany)	<a href="#">149846</a> <a href="#">967999</a>	17,53 € 121,25 €	bkt2	Angle bracket, zined	<a href="#">149849</a>	16,23 €
				bkt2	Angle bracket similar 1204920117	<a href="#">149049</a>	19,50 €
1	Exhaust pipe, front 6503210>	<a href="#">149010</a>	99,90 €	2	Centre silencer, aftm.zn/al-plated	<a href="#">149020</a>	155,00 €
3	Rear silencer, aftm.zn/al-plated	<a href="#">149030</a>	174,00 €	4	Hanger kit, exhaust rear	<a href="#">149040</a>	23,06 €
5	Mounting kit, exh frt NOS genuine MB packed	<a href="#">149945</a>	90,40 €	6	3-hole flange 190SL early (inner Diam. 52mm)	<a href="#">149043</a>	45,21 €
6	3-hole flange 190SL late (inner Diam. 60mm)	<a href="#">149844</a>	55,55 €	7	Seal ring, flange 56->	<a href="#">149050</a>	16,10 €
8	Exhaust clamp, 51mm	<a href="#">149017</a>	3,96 €	9	Chrome pipe fits 48mm muffler	<a href="#">149860</a>	27,58 €
9	Tail pipe (to 149011) polished	<a href="#">149061</a>	36,30 €	9	Exhaust trim 52 mm, chrome Compare-No: A1234920714	<a href="#">549834</a>	50,45 €
10	Rubber bumper at floor	<a href="#">149035</a>	23,57 €	15	Exhaust manifold from 6503210, Repro made in Germany	<a href="#">114017</a>	3.011,89 €
15	Exhaust manifold from 6503210, A2-steel repro	<a href="#">114817</a>	2.695,35 €	17	Manifold repair/repl. end,late diameter	<a href="#">114018</a>	118,99 €
18	Exh-/Intake gasket ELRING	<a href="#">114000</a>	10,89 €	18	see 114000	<a href="#">114800</a>	8,90 €
19	Nut, M10, exh manifold	<a href="#">114008</a>	1,25 €	20	Washers, e.g. exh.manifold->head	<a href="#">114007</a>	9,98 €
21	Exhaust support bracket, late LHD	<a href="#">114016</a>	59,63 €	22	Exhaust manifold clamp from 6503210	<a href="#">114050</a>	113,84 €
23	Rubber shim at exh. bracket	<a href="#">114002</a>	3,83 €	24	Bushing, e.g. support manifold bracket	<a href="#">114803</a>	4,33 €
25	Retainer at exh. bracket	<a href="#">114001</a>	3,13 €	27	Mounting bracket for exhaust	<a href="#">149047</a>	165,40 €
39	Isolation plate at exhaust bracket	<a href="#">149039</a>	3,30 €	39	Plate at exh-rubbers	<a href="#">149057</a>	5,59 €
48	Rubber hanger, exhaust 190SL, pontoon	<a href="#">149048</a>	5,65 €	59	Bolt M8 x 45	<a href="#">149069</a>	1,14 €

## 49.b Stainless Steel Exhaust 190SL

49.b Stainless Steel Exhaust 190SL



### SLS EDELSTAHL - AUSPUFFANLAGEN

#### **SLS-Edelstahlauspuffanlage**

190SL ab Fgst. 653210 ..... 149011  
(bei Anpassung des Auspuffkrümmers auch für frühere Fahrzeuge verwendbar)

#### **Montageset**

190SL Komplett-Montageset ..... 149012  
(Aufhängungsteile, Schellen, Dichtung, Dreilochflansch)

Abweichende Zusammenstellungen können wir Ihnen auf Nachfrage anbieten.

Eine empfehlenswerte Alternative zu den erhältlichen konventionellen Stahl-Auspuffanlagen möchten wir Ihnen mit den weiter verbesserten SLS-Edelstahl-Produkten anbieten:

- Rohre und Topfwandungen sind aus 1,5mm starker Edelstahllegierung gefertigt, dessen Güte einen guten Kompromiß aus Elastizität und Korrosionsbeständigkeit bietet. Das Material verhindert Sprüdrisse sowie Durchrostungen und Resonanzbildung.
- Rohrführungen und -durchmesser sind an die Original-Konstruktion angelehnt und ermöglichen den richtigen Abgasrückstau und Klangcharakter.  
Die Rohrbiegungen haben keine nennenswerten Falten oder Verengungen.
- Sämtliches Original-Montagematerial kann verwendet werden.
- Zurückgestellte Topf-Stirnwände bieten Schutz vor Spannungsrissen.
- Vor dem Verlust von Bedämpfungsmaterial schützt eine spezielle Füllung und ein Rückhaltesystem.  
Sorgfältige Verarbeitung auch innerhalb der Auspufftöpfe beugt unangenehmen Überraschungen vor.
- Die Herstellung erfolgt computergestützt und unterliegt ständiger Kontrolle, so daß bestmögliche Maßhaltigkeit gegeben ist.
- Das unkomplizierte Verschellen ermöglicht spätere Teil-Demontage und erleichtert viele Arbeiten am Fahrzeug.

Der Lieferumfang ist jeweils eine komplette Auspuffanlage ab Krümmer-Ende; zu den Auspuffanlagen empfehlen wir die passenden komplett-Montagesets und unsere Montageanleitung.  
Alle weiteren Fragen beantworten wir Ihnen gern telefonisch.  
Lassen Sie sich auch über unsere günstigen Versandwege informieren.

Rubber hanger, exhaust 190SL,  
pontoon

[149048](#)

5,65 €

149011

Exhaust manifold from 6503210,  
A2-steel repro

[114817](#)

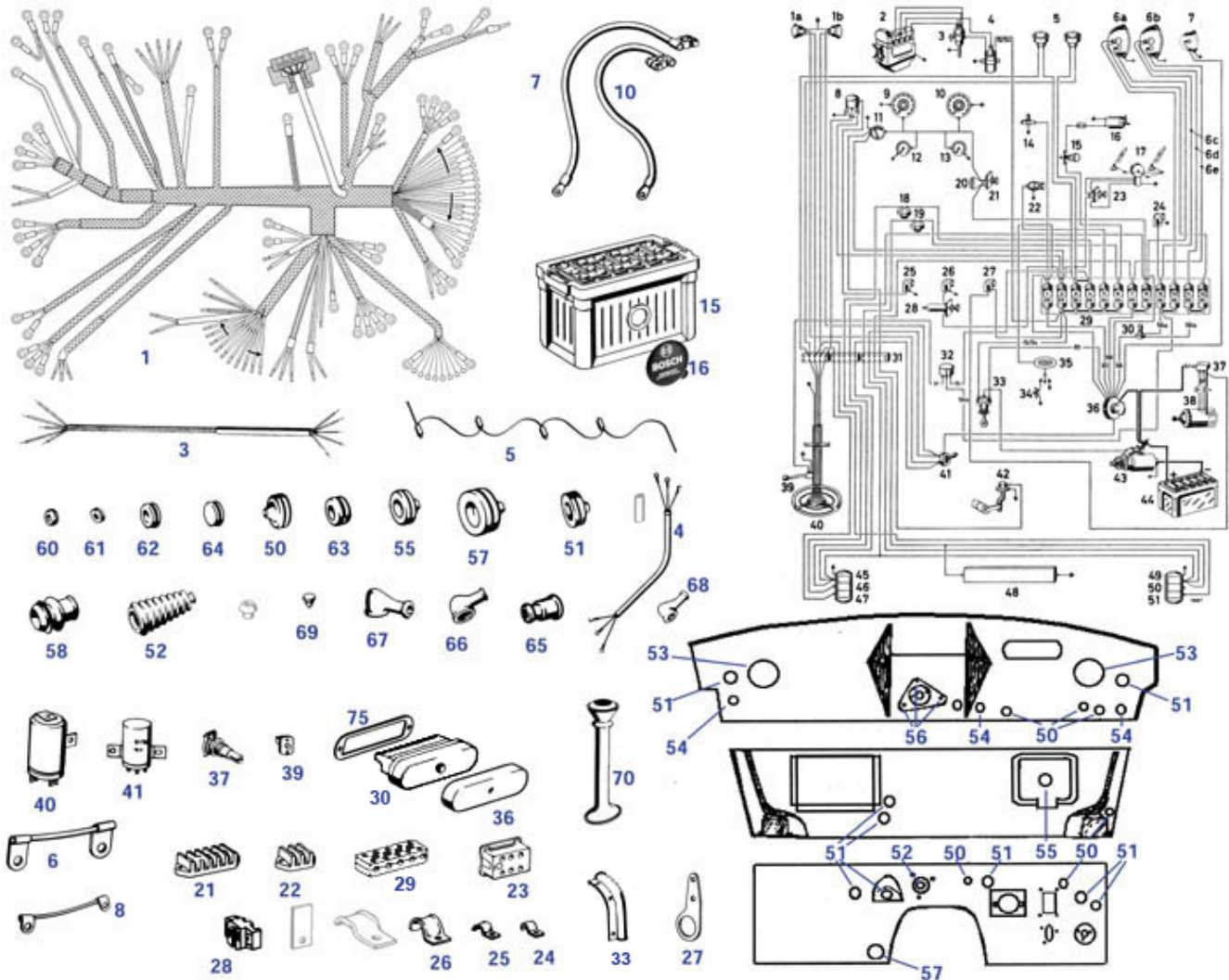
2.695,35  
€



10	Escutcheon w. red lens	<a href="#">154035</a>	59,86 €	11	Repro		
12	Hi-beam indicator lamp escutcheon	<a href="#">154036</a>	63,49 €	16	Escutcheon w. white lens	<a href="#">154038</a>	59,86 €
17	Escutcheon for switch (wiper/blower)	<a href="#">154061</a>	49,98 €	18	Choke/hot start wire Assy, overhauled	<a href="#">130010</a>	657,95 €
20	Clearance light switch	<a href="#">154042</a>	276,66 €	21	Chrome knob, heater fan, amber lens	<a href="#">154072</a>	55,34 €
22	overhauled OEM headlight switch W121	<a href="#">154133</a>	977,61 €	23	Escutcheon, park light switch	<a href="#">154034</a>	49,98 €
23	Rep hub/pinion, plastics, for light switch	<a href="#">154158</a>	42,64 €	23	Escutcheon, main light switch	<a href="#">154033</a>	49,98 €
23	Rep hub/pinion, plastics, for light switch	<a href="#">154829</a>	29,89 €	25	Rep hub/pinion, plastics, for light switch	<a href="#">154858</a>	26,79 €
27	Escutcheon for '69 hazard switch	<a href="#">154063</a>	49,98 €	28	Knob for wiper switch...	<a href="#">154044</a>	49,98 €
29	Wire 190SL->7501282	<a href="#">130060</a>	684,70 €	29	Knob to adapt late hazard relay switch	<a href="#">154073</a>	55,34 €
30	Escutcheon, cockpit light switch	<a href="#">154028</a>	49,98 €	31	Chrome knob, ign-adjuster (up to..)	<a href="#">130061</a>	59,00 €
32	Escutcheon, choke cable	<a href="#">154027</a>	52,96 €	34	Knob, cockpit light switch	<a href="#">154068</a>	49,98 €
35	Starter key switch, simplified	<a href="#">154003</a>	74,28 €	37	Escutcheon for ignition timing cable	<a href="#">154026</a>	49,98 €
37	Chrome button for starter	<a href="#">154802</a>	309,40 €	38	Chrome starter knob/switch	<a href="#">154002</a>	74,09 €
38	Escutcheon, starter knob	<a href="#">154832</a>	49,98 €	43a	Escutcheon, fits starter knob "M16"	<a href="#">154032</a>	49,88 €
43a	Cigar lighter, see picture	<a href="#">182847</a>	194,22 €	44	Chrome knob M3 with cigar lighter, see picture	<a href="#">154078</a>	70,50 €
44	Knob, cigar lighter early, M4	<a href="#">154071</a>	54,92 €	46	Knob, cigar lighter late, M5	<a href="#">154043</a>	49,98 €
47	Knob, radio	<a href="#">154050</a>	86,75 €	48Z	Spiral element, fits genuine cigar lighter	<a href="#">154049</a>	18,49 €
48Z	Antenna, manual, red knob	<a href="#">299967</a>	101,95 €	48Z	Speaker box 190SL, wood, leather, black	<a href="#">168017</a>	519,99 €
48Z	Speaker box 190SL 40W, metal housing	<a href="#">168016</a>	478,48 €	50	Speaker box 190SL, wood, leather, color customized	<a href="#">168018</a>	519,99 €
52	Knob 'ivory', smaller ID	<a href="#">154814</a>	77,59 €	52	Rep chrome lever high beam switch	<a href="#">154019</a>	194,55 €
55	foot operated switch	<a href="#">454012</a>	36,43 €	58	Knob 'ivory' high beam switch (fits orig)	<a href="#">154014</a>	71,69 €
59	Glove box handle	<a href="#">168878</a>	91,25 €	59	Pull switch for blower, 2-stage, with ring, without button	<a href="#">154841</a>	278,09 €
60	Instrument lighting harness	<a href="#">154004</a>	34,99 €	61 LHD	Glove box handle	<a href="#">168078</a>	109,13 €
61 LHD	Flex.drive shaft, speedom. LHD aftm.	<a href="#">154010</a>	39,26 €	61 RHD	Rubber grommet 10/35, flex-shaft/frame	<a href="#">199026</a>	8,68 €
62 LHD	Rev counter cable 190SL LHD	<a href="#">154820</a>	58,83 €	62 LHD	Flex.drive shaft, speedom. RHD	<a href="#">154015</a>	48,75 €
62 RHD	Repro			63	Flex.drive shaft, tachom. LHD aftm.	<a href="#">154020</a>	38,35 €
63	Hose,eng.to gauge-pipe,late M10-M8 445m	<a href="#">154059</a>	49,40 €	64	Oil press hose early style (M10)	<a href="#">154957</a>	52,31 €
64	Oil pipe LHD 59-> M8	<a href="#">154065</a>	85,09 €	64	Oil pipe RHD 59-> M8	<a href="#">154066</a>	121,39 €
64	Oil pipe RHD ->59 M10	<a href="#">154062</a>	105,73 €	81	Oil pipe LHD ->59 M10	<a href="#">154064</a>	77,98 €
82	Cover, map light	<a href="#">182065</a>	132,99 €	83	Lens, interior light	<a href="#">182066</a>	12,50 €
					Plastic knob for light chrome cap	<a href="#">182067</a>	36,89 €

## 54.b Wire Set

### 54.b Wire Set



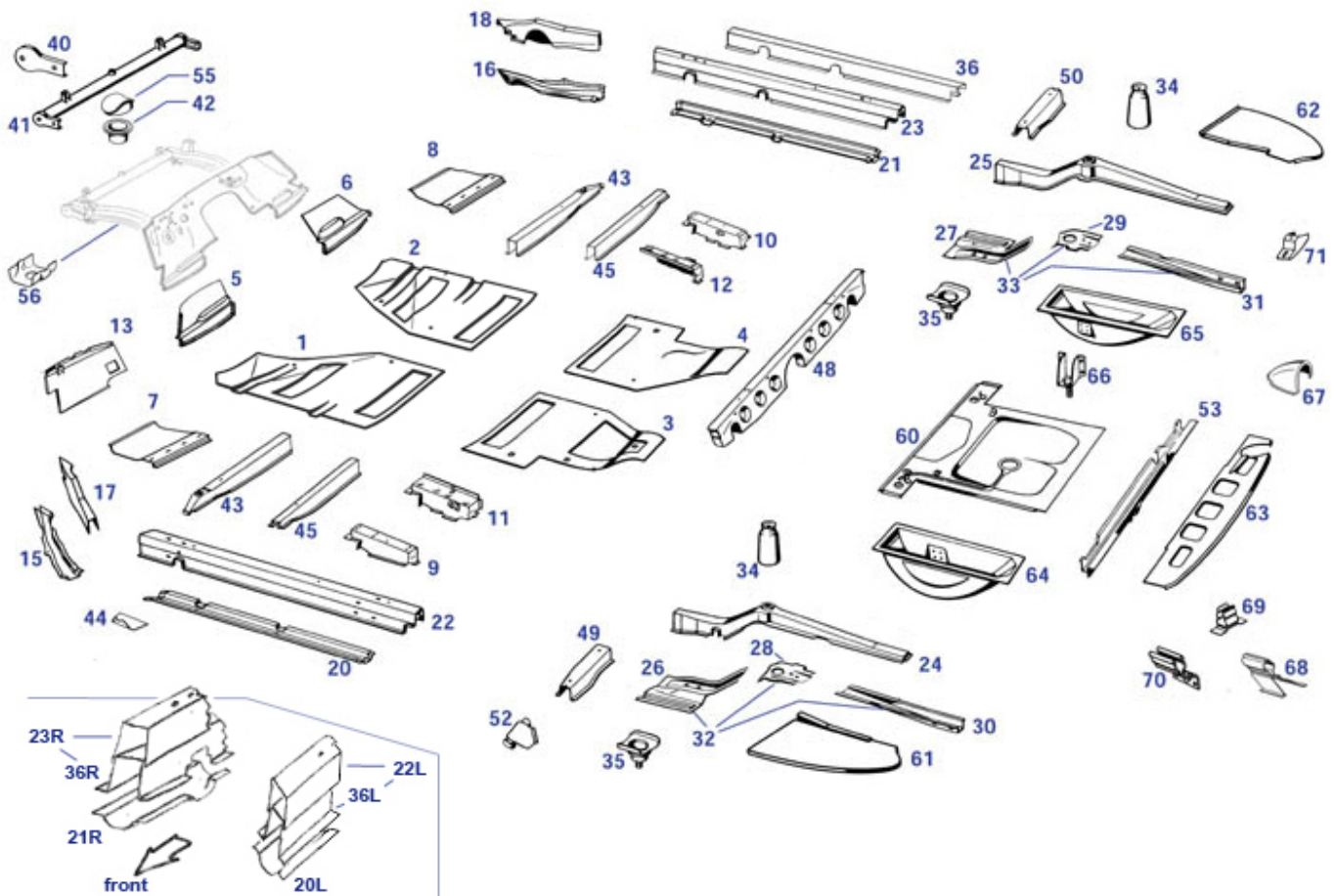
o.A.	Tail harness, w/ FN plate lights 6-pole housing (plastic base & cap), no metal bushings contact bushing 4mm brass, silver plated	<a href="#">154550</a> <a href="#">254180</a> <a href="#">254855</a>	332,00 € 8,45 € 1,40 €	o.A.	bulb holder BA9s fits lamp 2W Rubber cap inner side 15mm	<a href="#">154048</a> <a href="#">215015</a>	6,43 € 2,08 €
1	Main cable harness RHD	<a href="#">154535</a>	1.350,00 €	o.A.	Tail harness w/late plate lights	<a href="#">154555</a>	284,99 €
1	Main cable harness 018972>	<a href="#">154520</a>	1.299,00 €	1	main wire harness RHD up to 8501845	<a href="#">154525</a>	1.309,00 €
1	Tail harness RHD early	<a href="#">154565</a>	212,42 €	1	Main cable harness 8501846 to 018971	<a href="#">154510</a>	1.350,00 €
3	Cable harness	<a href="#">154017</a>	124,95 €	1	Main cable harness >8501845	<a href="#">154500</a>	1.350,00 €
5	Instrument lighting harness	<a href="#">154004</a>	34,99 €	4	Generator to V-reg. harness	<a href="#">154008</a>	62,00 €
6	Starter ground cable to clutch housing	<a href="#">154006</a>	36,99 €	6	A1865400341 Starter to front panel grou	<a href="#">154007</a>	49,17 €
7	Ground-wire, battery -> engine RHD	<a href="#">154597</a>	79,99 €	7	Neg.-batterie cable	<a href="#">154598</a>	83,90 €
10	Starter wire (+)	<a href="#">154599</a>	105,90 €	8	Ground strap at univ. joint	<a href="#">146089</a>	14,93 €
21	5-pole block terminal	<a href="#">154054</a>	55,16 €	16	Bosch label f. battery	<a href="#">154084</a>	9,40 €
23	Sold on sleeve 4mm	<a href="#">254055</a>	2,69 €	22	2 pole terminal	<a href="#">154052</a>	44,85 €
24	clamp, ca. 25mm, wires	<a href="#">199023</a>	7,32 €	23	Rest: el. connector (fem) 6-pole, kit, OE-qual	<a href="#">254984</a>	27,67 €
25	Clamp small, e.g. bowden cable	<a href="#">199011</a>	5,58 €	24	Clamp 5mm e.g. brake lines	<a href="#">143038</a>	0,50 €
27	Bracket, starter wire (+)	<a href="#">115048</a>	47,60 €	26	Clamp, e.g. oil-pipe, wires	<a href="#">199025</a>	4,22 €
29	5 pole threaded terminal, repro	<a href="#">154753</a>	19,99 €	28	Socket, fits Bilux-bulb, classic style	<a href="#">182041</a>	6,89 €
				29	5 pole threaded terminal similar	<a href="#">154053</a>	63,49 €

33	A1205460081 Covering, wire in trunk	<a href="#">169154</a>	18,39 €	36	0005460641 25Amp fuse, short version, NOS	<a href="#">258991</a>	5,69 €
36	Bolt, fuse box cover	<a href="#">182059</a>	6,19 €	36	Fuse box cover "Bakelit"	<a href="#">182029</a>	64,25 €
37	Plug socket 12V/16A, universal, non-MB, non-Boschl	<a href="#">554867</a>	8,83 €	37	Con.housing, 2 pole flat	<a href="#">254103</a>	0,54 €
39	Door switch, Reproduction	<a href="#">182821</a>	26,00 €	39	Rubbershim @ door switch	<a href="#">182121</a>	12,50 €
39	A0008210252 Door switch, version flat poles	<a href="#">182021</a>	28,98 €	40	Turn signal transmitter (metal), Bosch	<a href="#">182001</a>	98,18 €
41	Pulse genarator, flat connectors, plastic housg, Hella	<a href="#">154018</a>	29,39 €	41	Sticker "Blinkgeber senkrecht einbauen"	<a href="#">179026</a>	5,70 €
50	Two hole grommet,heater & choke cables	<a href="#">130005</a>	3,05 €	50	Rubber grommet 3/18, 121,113,107 and other	<a href="#">199010</a>	1,67 €
50	Grommet for front panel	<a href="#">299808</a>	0,77 €	51	Rubber grommet 11/30, bulkh(190),107,..	<a href="#">299017</a>	1,59 €
52	Accelerator rod bellows	<a href="#">130100</a>	8,68 €	54	Grommet 3 cable 3/20	<a href="#">199008</a>	1,23 €
55	Rubber grommet	<a href="#">299005</a>	2,59 €	56	Washer, No./Licence plate	<a href="#">188098</a>	2,82 €
57	Rubber grommet 10/35, flex-shaft/frame	<a href="#">199026</a>	8,68 €	57	Rubber grommt 10/42, starter/generator wire	<a href="#">199014</a>	2,75 €
58	Rubber sleeve for headlight harness	<a href="#">154080</a>	8,39 €	59	Rubbergrommet, headlight bucket	<a href="#">182857</a>	16,78 €
60	Grommet, 4,5/10mm, cable@wheelarch	<a href="#">182005</a>	2,53 €	61	Rubber grommet 10/15, taillight bucket 190SL, 107	<a href="#">199020</a>	1,08 €
62	Grommet for Fuel Pump Wiring	<a href="#">299018</a>	2,53 €	62	Rubber grommet, rear wire harness, 16/22	<a href="#">199018</a>	2,18 €
63	Rubbergrommet 8/26, booster/battery 190SL	<a href="#">199081</a>	3,61 €	64	Rubber, locking washer 20mm	<a href="#">399016</a>	1,31 €
65	Prot.sleeve ign.leads -> distributor	<a href="#">215815</a>	2,73 €	66	Cap, starter terminal	<a href="#">154056</a>	5,71 €
67	Rubber Boot on Starter Motor and Alternator	<a href="#">254126</a>	7,16 €	67	Rubber cap, starter wire, small	<a href="#">754026</a>	6,14 €
68	Rubber dust boot (at Gen. .)	<a href="#">254051</a>	3,25 €	69	Rubber buffer 5mm,121,113,10	<a href="#">298066</a>	0,89 €
70	Rubber tube grommet @ lamp buckets	<a href="#">154860</a>	31,82 €	75	Rubberpad, fusebox/bulkhead	<a href="#">182009</a>	11,65 €

## 61 Chassis Raw Floor & Panelling

### 61 Floor Panelling

61 Floor Panelling

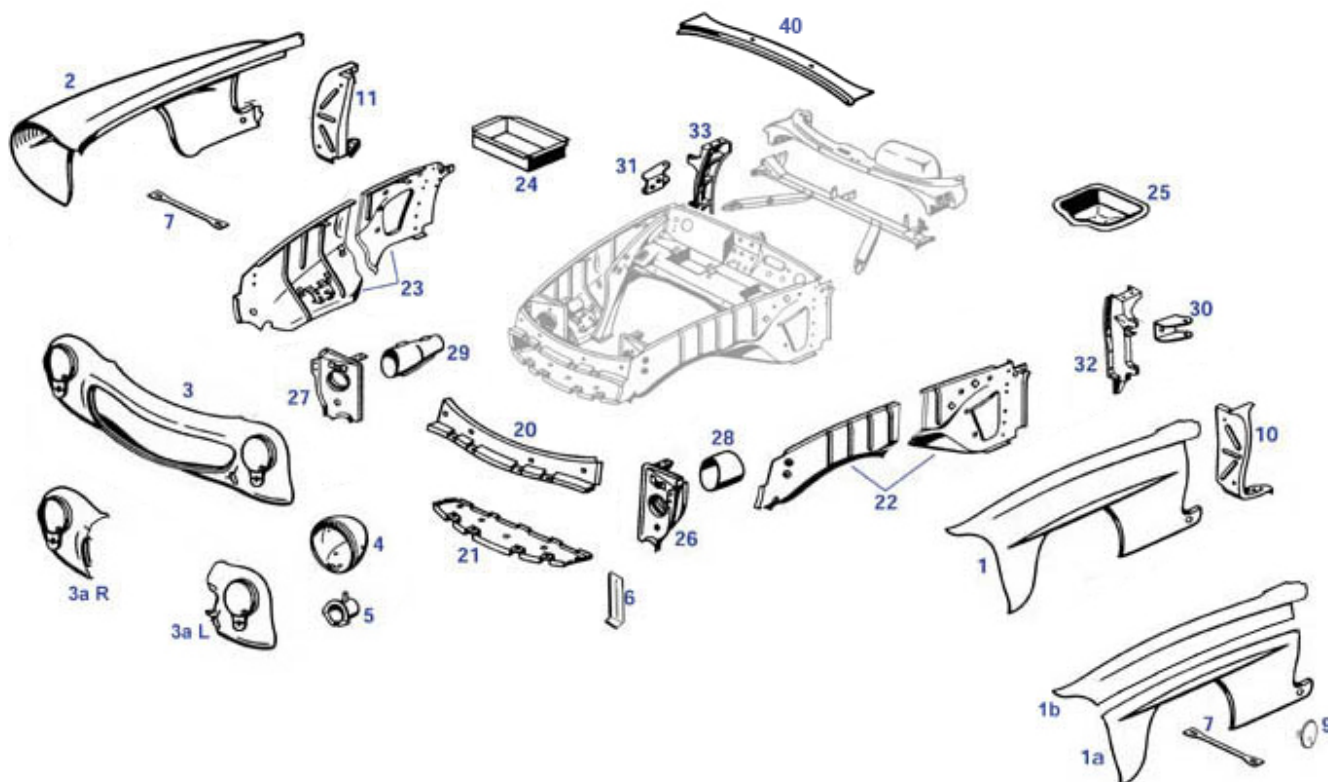


	set of 4 seat supports	<a href="#">161865</a>	588,34 €		Mounting bolt	<a href="#">150708</a>	13,49 €
nut if missing	Vierkantmutter in Blechlasche	<a href="#">161259</a>	2,93 €	1	Floor panel, front, Lt.	<a href="#">161010</a>	139,13 €
1	Floor panel front left W121 & Ponton   A1216160167	<a href="#">161011</a>	220,15 €	2	Floor panel, front, Rt.	<a href="#">161020</a>	139,13 €
2	Floor panel front right W121 & Ponton   A1216160267	<a href="#">161021</a>	220,15 €	3	Floor, rear. Lt.	<a href="#">161045</a>	164,17 €
4	Floor, rear. Rt.	<a href="#">161055</a>	164,17 €	5	Pedal floor, partial, Lt.	<a href="#">161090</a>	112,99 €
6	Pedal floor, partial, Rt.	<a href="#">161100</a>	112,99 €	7	Upper kick floor front left	<a href="#">161190</a>	71,91 €
7	Screw 3,9	<a href="#">299279</a>	0,27 €	8	Upper kick floor frt Rt	<a href="#">161200</a>	71,91 €
9	Seat support, outer, Lt.	<a href="#">161850</a>	153,21 €	9	Seat support, outer, Lt.	<a href="#">161250</a>	161,00 €
10	Seat support, outer, Rt.	<a href="#">161280</a>	161,00 €	10	Seat support, outer, Rt.	<a href="#">161880</a>	153,21 €
11	Seat support, inner, Lt.	<a href="#">161860</a>	153,21 €	11	Seat support, inner, Lt.	<a href="#">161260</a>	166,66 €
12	Seat support, inner, Rt.	<a href="#">161870</a>	153,21 €	12	Seat support, inner, Rt.	<a href="#">161270</a>	166,66 €
13	Left False Floor under Pedals (LHD)	<a href="#">168150</a>	189,25 €	13	pan head tapping screw zinc plated 3,9 X 13	<a href="#">188889</a>	0,25 €
15	Rail cap, front. Lt.	<a href="#">161070</a>	175,00 €	16	Rail cap, front. Rt.	<a href="#">161080</a>	175,00 €
17	Side supp top Lt.	<a href="#">161075</a>	162,27 €	18	Side supp top Rt.	<a href="#">161085</a>	162,27 €
20	Side member lower rail cap. Lt.	<a href="#">161110</a>	122,40 €	21	Side member lower rail cap. Rt.	<a href="#">161120</a>	122,40 €
22	Side frame rail, upper Lt., both upper shells assy	<a href="#">161170</a>	311,98 €	23	Side frame rail, upper Rt., both upper shells assy	<a href="#">161180</a>	311,98 €
24	Side member, top rear left	<a href="#">164245</a>	904,78 €	25	Side member, top rear, Rt.	<a href="#">164255</a>	904,78 €
26	Forward 1/3 of item 161145 Lt.	<a href="#">161130</a>	219,50 €	27	Forward 1/3 of item 161155 Rt.	<a href="#">161140</a>	219,50 €
28	Center section of item 161145 Lt.	<a href="#">161135</a>	158,60 €	29	Center section of item 161155 Rt.	<a href="#">161136</a>	158,60 €
30	RR frame member LH, lower end section	<a href="#">161150</a>	209,04 €	31	RR frame member RH, lower end section	<a href="#">161160</a>	209,04 €
34	Cup for shock absorber mounting	<a href="#">161166</a>	260,90 €	35	Split pin 3x36	<a href="#">133059</a>	0,18 €
35	Support for rear axle strut	<a href="#">161210</a>	31,89 €	36R	Rep.section rail, Rt., intermediate shell	<a href="#">161181</a>	187,82 €
36L	Rep.section rail, Lt., intermediate	<a href="#">161171</a>	187,82 €	40	Front Bumper Bkt. attachment	<a href="#">161311</a>	53,19 €

	shell					
41	Cross tube, front	<a href="#">161310</a>	257,40 €	42	Step bearing	<a href="#">161030</a> 187,59 €
43	Cross member, front jack port	<a href="#">161330</a>	205,12 €	44	Small connection plate near jack ports	<a href="#">161335</a> 7,24 €
45	Cross member, seat, front support	<a href="#">161240</a>	71,11 €	48	Rear seat area forward supp. Lt.+Rt.	<a href="#">161410</a> 795,90 €
49	Frame member, Lt. for Jack	<a href="#">161360</a>	53,00 €	50	Frame member, Rt. for Jack	<a href="#">161370</a> 53,00 €
52	Jack point, rear	<a href="#">161350</a>	52,76 €	53	Cross member trunkfloor,w/o tank bracke	<a href="#">161400</a> 283,24 €
53	Cross member trunk floor,w.tank bracket	<a href="#">161405</a>	252,35 €	53	Support, fuel tank @ cross member	<a href="#">161401</a> 40,40 €
55	Spacer cup 6,5mm	<a href="#">161326</a>	149,58 €	55	Spacer cup 2,5mm	<a href="#">161322</a> 139,15 €
55	Spacer cup 1,5mm	<a href="#">161321</a>	106,78 €	55	Spacer cup 7,5mm	<a href="#">161327</a> 152,21 €
55	Spacer cup 4,5mm	<a href="#">161324</a>	155,52 €	55	Spacer cup 9,5mm	<a href="#">161329</a> 157,48 €
55	Spacer cup 8,5mm	<a href="#">161328</a>	154,84 €	55	Spacer cup 5,5mm	<a href="#">161325</a> 146,97 €
56	Support	<a href="#">161320</a>	203,44 €	60	Trunk floor, center section	<a href="#">161220</a> 369,41 €
61	Side floor, 190SL trunk, left	<a href="#">161005</a>	103,61 €	62	Side floor, 190SL trunk, Rt.	<a href="#">161006</a> 103,61 €
63	Trunk floor, rear extension	<a href="#">161230</a>	196,55 €	64	Spare tyre well Lt. simplified	<a href="#">161291</a> 471,64 €
64	Spare tyre well Lt.	<a href="#">161290</a>	575,00 €	65	Spare tyre well Rt. simplified	<a href="#">161301</a> 566,59 €
65	Spare tyre well Rt.	<a href="#">161300</a>	575,00 €	66	Gas tank mounting bracket	<a href="#">161380</a> 20,46 €
67	Cover, for gas tank neck	<a href="#">161390</a>	91,00 €	68	Tire jack holder 190SL	<a href="#">164043</a> 130,00 €
69	Lug wrench holder	<a href="#">164041</a>	15,33 €	70	Jack/tool support	<a href="#">164054</a> 126,00 €
71	support, near 3rd exhaust mount	<a href="#">161490</a>	60,56 €	98	Rubber grommet 10/35, flex-shaft/frame	<a href="#">199026</a> 8,68 €

## 62 Panelling (Front)

62 Panelling (Front)



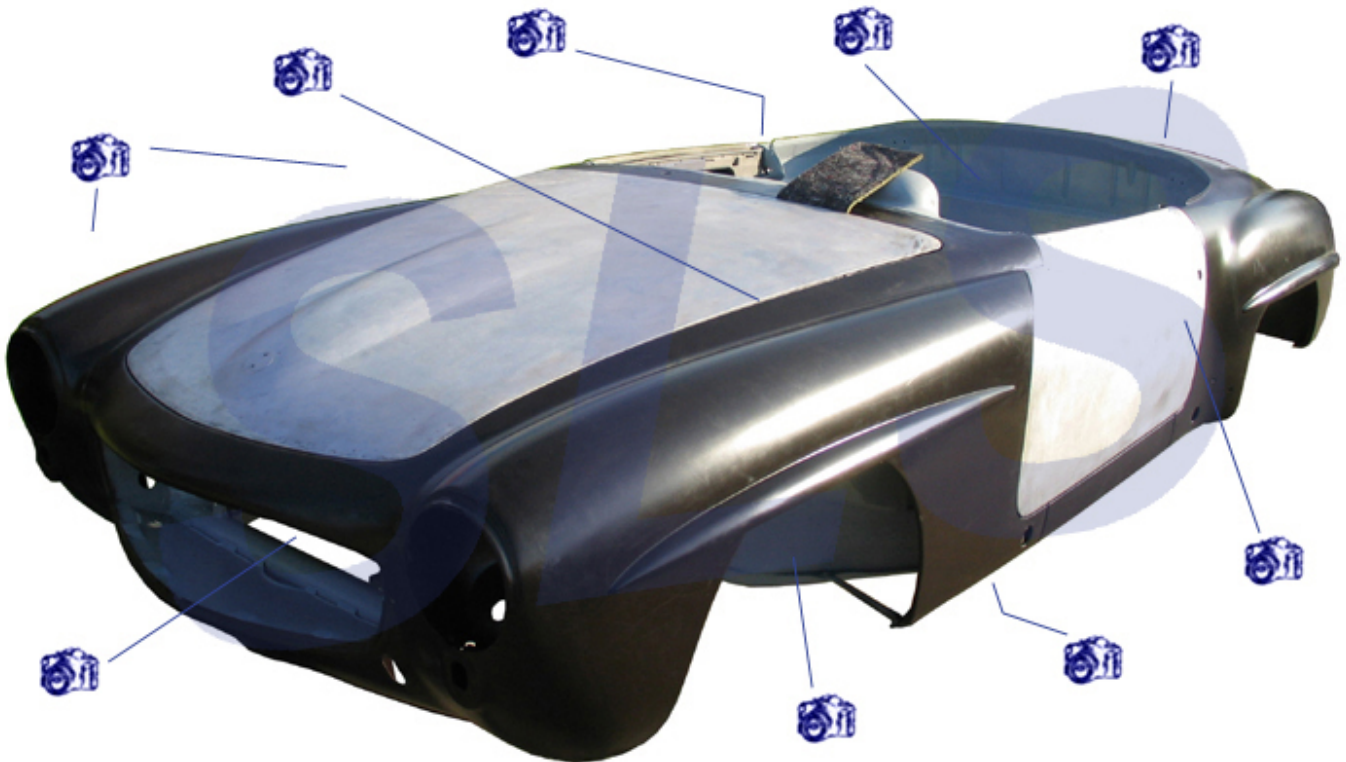
	Mounting bolt	<a href="#">150708</a>	13,49 €		Nose panel 190SL, Reproduction	<a href="#">162830</a> 1.181,21 €
	W/S glastransp. incl. box(Germany)	<a href="#">967999</a>	121,25 €	o.a.	Bonnet stilt rack	<a href="#">188747</a> 35,16 €
o.a.	1 pair inner splash wings s.steel	<a href="#">188054</a>	178,50 €	1b	Fender upper rep.-section Lt.	<a href="#">162009</a> 371,99 €
1a	Patch panel, front left .fender, 3/4 wing	<a href="#">162011</a>	551,09 €	1b	Fender upper rep.-section Rt.	<a href="#">162019</a> 371,99 €
1a	Patch panel, frt.fender Rt., '3/4wing	<a href="#">162021</a>	551,09 €	1	Cardbox for large spareparts, 170x60x80cm	<a href="#">967993</a> 25,82 €



1	Frt fender LH, Repro	<a href="#">162810</a>	1.603,43 €	2	Frt RH fender, Repro	<a href="#">162820</a>	1.603,43 €
3	Nose panel 190SL, Reproduction, raw=unpainted	<a href="#">162730</a>	1.056,74 €	3a L	Nose panel rep.-section left	<a href="#">162035</a>	712,81 €
3	Nose panel 190SL, Reproduction	<a href="#">162030</a>	1.118,30 €	4	Headlight bucket 190SL, Ponton	<a href="#">162840</a>	148,31 €
4	Headlight bucket 190SL, Ponton	<a href="#">162040</a>	123,93 €	5	Parking light buckets	<a href="#">162033</a>	39,04 €
6	Inner nose panel support	<a href="#">162022</a>	15,33 €	7	Fender strut	<a href="#">162015</a>	23,79 €
9	Jack hole cover   A1216900027	<a href="#">169110</a>	33,50 €	10	Connection plate, Lt.	<a href="#">162050</a>	150,80 €
11	Connection plate, Rt.	<a href="#">162060</a>	150,80 €	20	Clip nut	<a href="#">188073</a>	0,49 €
20	Inner plate, top, front	<a href="#">162025</a>	192,39 €	21	Inner plate, bottom, front	<a href="#">162026</a>	190,32 €
22	Wheel arch pan, front left. in 2 pcs	<a href="#">162027</a>	1.401,09 €	22	Inner wheel arch frt. LH, not cutted	<a href="#">162037</a>	871,84 €
23	Inner wheel arch frt RH, not cutted	<a href="#">162038</a>	909,99 €	23	Wheel arch pan, Rt. in 2 pcs	<a href="#">162028</a>	1.401,09 €
24	Battery box	<a href="#">161340</a>	128,44 €	25	Brake booster tray	<a href="#">162070</a>	165,01 €
26	Reinforcement bracket 190SL, Lt.	<a href="#">162029</a>	291,45 €	26	Rubber sleeve for headlight harness	<a href="#">154080</a>	8,39 €
27	Reinforcement bracket 190SL, Rt.	<a href="#">162031</a>	291,45 €	28	Air duct frt left metal tube	<a href="#">183031</a>	39,39 €
29	Air duct frt Rt, metal tube	<a href="#">183032</a>	181,07 €	30	Door stop support Lt.	<a href="#">162052</a>	38,22 €

## 64.i Info raw Bodyshell/Chassis w. detailed picts

64.i Info raw Bodyshell/Chassis w. detailed picts

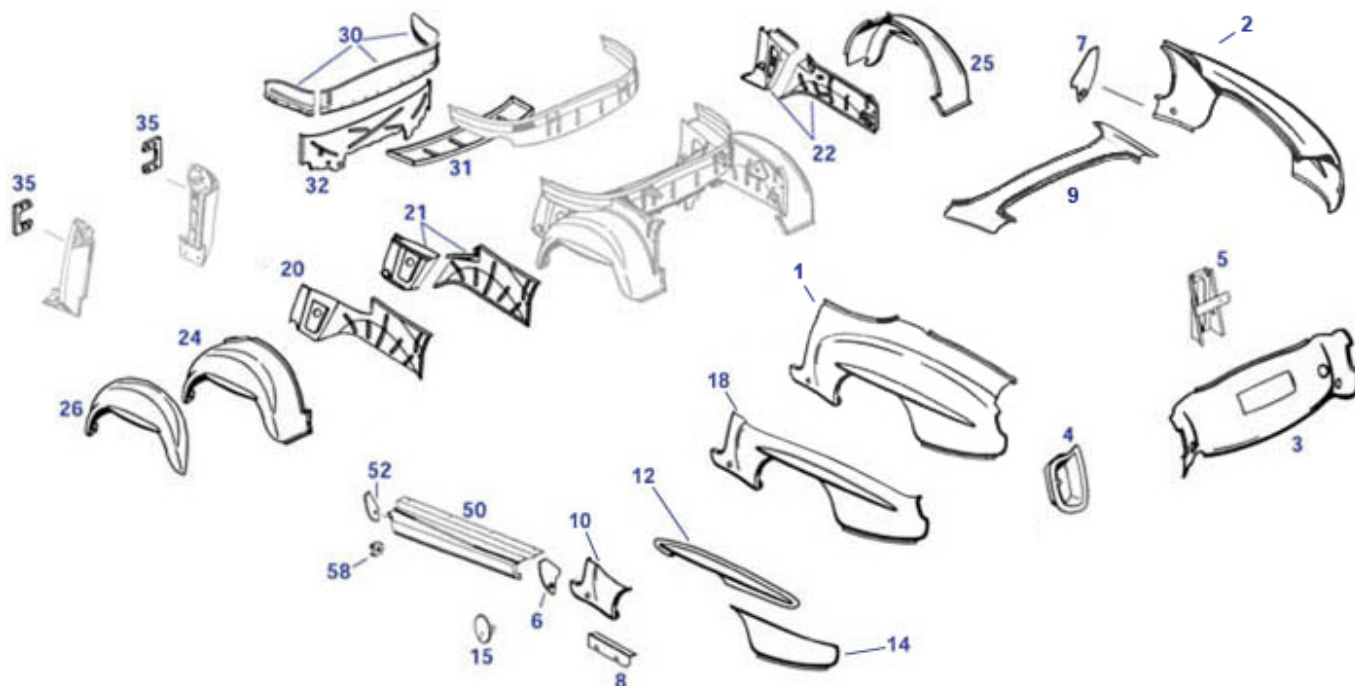


In unregelmäßigen Abständen kann eine Rohkarosserie in unserem Ersatzteilsortiment angeboten werden. Die Info-Tafel zeigt Details zu einem möglichen Lieferumfang und soll weiterhin helfende Darstellungen bereitstellen, klicken Sie dazu auf die Kamera-Symbole.

*Irregularly a bodyshell is possible to appear in our sparepart selection. The info panel is showing details about the scope of delivery and furthermore it's showing pictures of it by clicking on the camera symbols.*

## 64 Panelling (Rear)

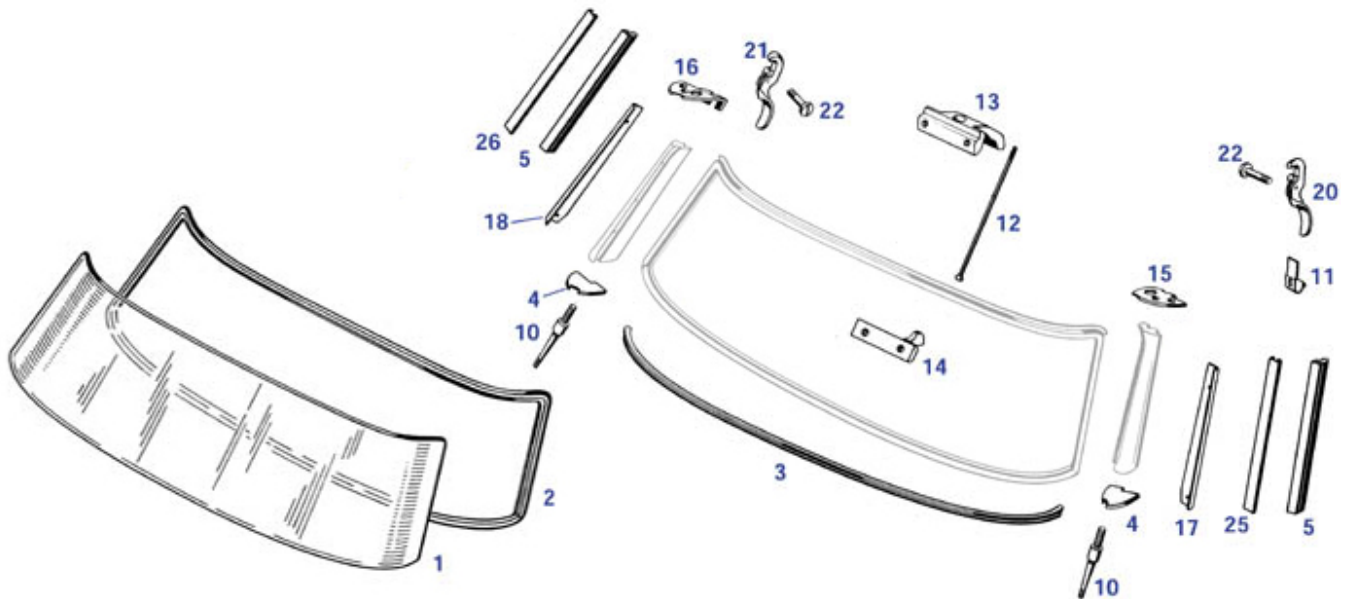
64 Panelling (Rear)



	W/S glasstransp. incl. box(Germany)	<a href="#">967999</a>	121,25 €		Used B-pillar 190SL, left	<a href="#">164130</a>	1.548,75 €
1	Rear wing LH repro	<a href="#">164810</a>	1.404,00 €	1	Cardbox for large spareparts, 170x60x80cm	<a href="#">967993</a>	25,82 €
2	Rear wing RH repro	<a href="#">164820</a>	1.404,00 €	3	Rear panel 190SL, Repro	<a href="#">164840</a>	726,96 €
3	Licence plate underlay, stainless steel, inner width 46cm	<a href="#">988788</a>	29,75 €	4	Tail light bucket 190SL	<a href="#">164030</a>	82,09 €
4	Rubber grommet 10/15, taillight bucket 190SL, 107	<a href="#">199020</a>	1,08 €	5	Tail panel center support 190SL	<a href="#">164042</a>	122,07 €
6	Cover plate, front fender 190SL, L	<a href="#">164012</a>	18,37 €	7	Cover plate, front fender 190SL,	<a href="#">164022</a>	18,37 €
8	Filler panel, 1/4 to frame L/R	<a href="#">164015</a>	17,52 €	9	Center panel upper, rear	<a href="#">164110</a>	371,27 €
10	Stone guard patch panel 190SL, Lt.	<a href="#">164001</a>	299,12 €	10	Stone guard patch panel 190SL, Rt.	<a href="#">164002</a>	299,12 €
12	Rear fender, eyebrow patch panel R	<a href="#">164004</a>	201,74 €	12	Rear fender, eyebrow patch panel L	<a href="#">164003</a>	201,74 €
14	Rear fender, lower patch panel Lt.	<a href="#">164005</a>	299,12 €	14	Rear fender, lower patch panel Rt.	<a href="#">164006</a>	299,12 €
15	Jack hole cover   A1216900027	<a href="#">169110</a>	33,50 €	18	"Rear fender patch panel "3/4" Links	<a href="#">164011</a>	632,41 €
18	"Rear fender patch panel "3/4" R"	<a href="#">164021</a>	632,41 €	20	Wheel arch 190SL, inner Rt. 1pce	<a href="#">164080</a>	271,30 €
20	Wheel arch 190SL, inner left. 1pce	<a href="#">164070</a>	271,30 €	21	Wheel arch 190SL, inner Lt. 2pce	<a href="#">164090</a>	649,99 €
22	Wheel arch 190SL, inner Rt. 2pce	<a href="#">164100</a>	649,99 €	24	Rear inner fender 190SL, left side	<a href="#">164050</a>	343,18 €
25	Rear inner fender 190SL, Rt.	<a href="#">164060</a>	343,18 €	26	Rear inner fender patch panel, Rt.	<a href="#">164061</a>	294,87 €
26	Rear inner fender patch panel, Lt.	<a href="#">164051</a>	294,87 €	30	3pcs. storage cover ALU	<a href="#">161036</a>	654,50 €
31	Bottom, ST storage	<a href="#">161037</a>	241,90 €	32	Top case front panel	<a href="#">161035</a>	415,21 €
35	Threaded door catch support	<a href="#">164055</a>	72,91 €	50	Rocker panel, Lt. Repro	<a href="#">183010</a>	179,99 €
50	Rocker panel, Rt. Repro	<a href="#">183020</a>	179,99 €	52	Rocker panel spacer shim 190SL	<a href="#">183022</a>	10,28 €
58	Clamping Bolt M6 for square bodypanel holes	<a href="#">188036</a>	7,90 €	58	Cage nut M6, no locking	<a href="#">188835</a>	1,90 €

## 67 Windscreen

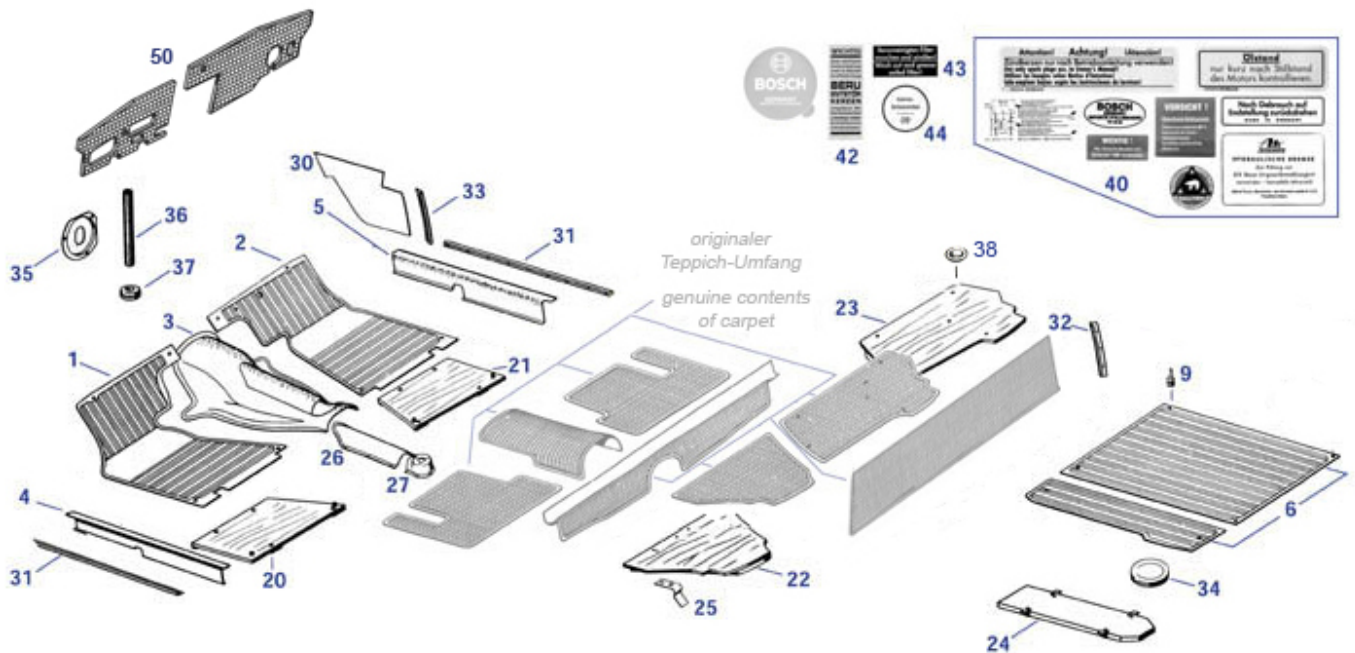
67 Windscreen



	countersunk head screw M5 X 16, high gloss chrome plated	<a href="#">167862</a>	4,99 €	1	W/S glasstransp. incl. box(Germany)	<a href="#">967999</a>	121,25 €
1	Windshield 190SL, Clear	<a href="#">167809</a>	367,70 €	1	Windshield 190SL Sekurit, Clear	<a href="#">167009</a>	420,00 €
2	Seal windshield 190SL OEM-Quality	<a href="#">167020</a>	143,00 €	2	190SL W121 Front Windscreen Weather Seal	<a href="#">167820</a>	102,07 €
4	W/S base pad, rubber, repro	<a href="#">167045</a>	3,93 €	5	Seal, door glass @ a-pillar Lt. or Rt.	<a href="#">172003</a>	17,85 €
5	Seal, door glass @ a-pillar Lt. or Rt.	<a href="#">172703</a>	7,08 €	6	Used W/S pillar Lt.	<a href="#">167070</a>	238,00 €
11	Leaf spring, hood lever at A-pillar	<a href="#">177045</a>	24,85 €	12	W/S center tension rod 190SL	<a href="#">167011</a>	46,70 €
12	spoke, screen ctre, as original	<a href="#">167911</a>	57,73 €	13	Countersunk lens-head bolt M5, chromed	<a href="#">177011</a>	1,79 €
13	Catch for center latch	<a href="#">167088</a>	106,70 €	14	Chrome screw M4, e.g. wire at canvas	<a href="#">277052</a>	1,79 €
14	Bracket for pull rod	<a href="#">167077</a>	169,35 €	15	Countersunk bolt M5X16, industrial chrome plated	<a href="#">167062</a>	0,45 €
15	Sunk screw M5 x 16, stainless	<a href="#">167061</a>	2,05 €	15	Windshield post top plate, Lt.	<a href="#">167050</a>	76,60 €
16	Windshield post top plate, Rt.	<a href="#">167060</a>	76,60 €	17	Alu-Regenleisten 190SL links	<a href="#">167031</a>	44,64 €
17	Chrome drip moulding 190SL, Lt.	<a href="#">167035</a>	57,91 €	17	panelling screw, phillips, chromed	<a href="#">268133</a>	1,32 €
18	Chrome drip moulding 190SL, Rt.	<a href="#">167034</a>	57,91 €	20	Windshield post top hook Lt.	<a href="#">177030</a>	183,80 €
20	Handle, part of hood lock, B-quality	<a href="#">177031</a>	40,23 €	21	Windshield post top hook Rt.	<a href="#">177040</a>	183,80 €
22	Chromed screw	<a href="#">177035</a>	16,72 €	25	Profile A-pillar Lt. unchromed	<a href="#">172089</a>	77,80 €
25	Chrome profile, A-pillar Lt.	<a href="#">172097</a>	106,41 €	26	Screw for chrome strips	<a href="#">269164</a>	0,13 €
26	Profile A-pillar Rt. unchromed	<a href="#">172088</a>	77,80 €	26	Chrome profile, A-pillar Rt.	<a href="#">172098</a>	106,41 €

## 68.a Floor mats and insulation

68.a Floor mats and insulation



As standard, all 190SL are equipped with rubber mats in the front (drivers footwells = rail-sills, tunnel, driver's and co-drivers footmats) and in the trunk (2 mats). In the rear area of the passenger compartment, Haargarn-Boucle carpet was laid. In case of equipment renewal, it may be desired to change to complete carpet design (even including trunk), the rubber mats can then no longer be supplemented.

	insulation mat set firewall and tunnel	<a href="#">168672</a>	285,10 €		insulation mat set floor and rear	<a href="#">168673</a>	483,44 €
	insulation mat complete set	<a href="#">168671</a>	743,75 €		mounting cap foldaway seat	<a href="#">168880</a>	26,62 €
1	Front foot Lt., LHD if no carpet	<a href="#">168100</a>	203,92 €	2	Front foot mat Rt., LHD if no carpet	<a href="#">168200</a>	203,92 €
3	Rubber mat 190SL, tunnel	<a href="#">168050</a>	181,46 €	4	Rubber mat 190SL, rocker panel Left	<a href="#">168030</a>	118,11 €
5	Rubber mat 190SL, rocker panel Rt.	<a href="#">168040</a>	118,11 €	9	Screw, e.g. Headlamp to Wing	<a href="#">788081</a>	0,88 €
9	plastic knop, boot rubbermat fixture	<a href="#">168305</a>	9,98 €	20	Wooden floor, 190SL front	<a href="#">168110</a>	54,48 €
22	Wooden floor, 190SL Lt. rear	<a href="#">168130</a>	123,49 €	23	Wooden floor, 190SL Rt. rear	<a href="#">168140</a>	146,00 €
24	Cover for Lt. spare wheel opening	<a href="#">161295</a>	179,99 €	24	Set 3pieces, suitcases, leather, fits 190SL	<a href="#">199580</a>	3.299,99 €
25	Spring clamp, shelf latch	<a href="#">168135</a>	54,81 €	26	Cover above shift link @ tunnel	<a href="#">168160</a>	296,39 €
27	Housing A1216830075	<a href="#">168170</a>	355,80 €	30	countersunk washer fits e.g. screws 2,9	<a href="#">199021</a>	0,51 €
30	Kick panel 190SL Lt. black	<a href="#">168090</a>	40,67 €	30	Kick panel 190SL Rt. black	<a href="#">168080</a>	40,67 €
30	Ctr sunk screw @ 272033/044/300/400	<a href="#">272034</a>	1,44 €	31	Entrance rail, for rubber mats	<a href="#">172005</a>	36,59 €
31	Entrance rail, for carpet	<a href="#">172006</a>	37,00 €	32	Screw, R/C107, R113	<a href="#">272724</a>	0,51 €
32	Aluminum trim at door post Rt.	<a href="#">168620</a>	31,46 €	32	Aluminum trim at door post Lt.	<a href="#">168610</a>	31,46 €
33	Screw for chrome strips	<a href="#">269164</a>	0,13 €	33	simplified: rail LH	<a href="#">168095</a>	24,34 €
33	simplified: rail RH	<a href="#">168085</a>	24,34 €	34	Cover above fuel sender, plastic,black	<a href="#">347014</a>	7,79 €
34	Cover above fuel sender, rubber version	<a href="#">147016</a>	14,02 €	35	Pedal schaft gasket guide	<a href="#">168015</a>	73,02 €
37	Rubbergrommet 8/26, booster/battery 190SL	<a href="#">199081</a>	3,61 €	38	Montagehütchen Notsitz	<a href="#">168879</a>	39,66 €
40	Set: 10 labels engine compartment	<a href="#">179030</a>	30,64 €	41	Bosch label f. battery	<a href="#">154084</a>	9,40 €
42	Label: Beru spark plugs	<a href="#">179029</a>	4,76 €	43	Label: air filter box (D)	<a href="#">179028</a>	4,76 €
44	Label: 'Gefrierschutzmittel'(D)	<a href="#">179027</a>	4,76 €	50	Set 6 pcs felt mats inner firewall LHD-190SL	<a href="#">168195</a>	300,50 €



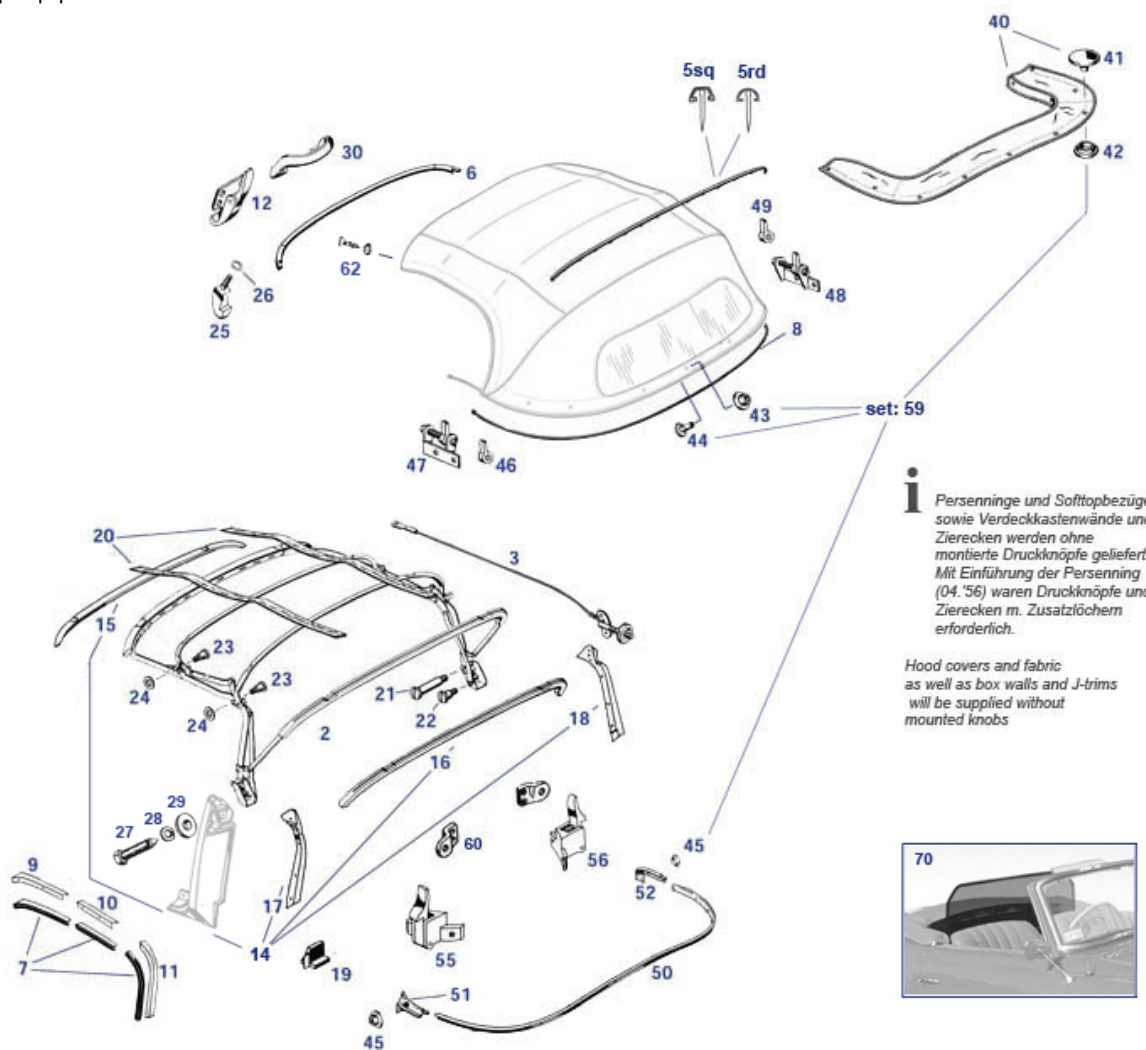
21a	Window guide rail   front right	<a href="#">172334</a>	166,60 €	22a	Window guide rail rear left	<a href="#">172331</a>	166,60 €
22	Guide jaw, "long" (frt end of glass), fits rear, after	<a href="#">172832</a>	72,24 €	22	Guide jaw short, position rear, buy and shorten 172832 instead	<a href="#">172833</a>	56,70 €
22a	Window guide rail rear rt.	<a href="#">172332</a>	174,99 €	23	Window lifting rail, Rt.	<a href="#">172034</a>	184,69 €
23	Window lifting rail, Lt.	<a href="#">172035</a>	184,69 €	24	Threaded plate	<a href="#">172037</a>	7,57 €
25	Rubber sleeve for door glass stop angle	<a href="#">272075</a>	2,30 €	26	Rubber washer for door glass	<a href="#">199007</a>	1,09 €
27a		<a href="#">172038</a>	19,31 €	28	Counter rail, front or rear, Lt., raw alu	<a href="#">172951</a>	34,99 €
28	Counter rail, front or rear, Lt., black coated	<a href="#">172051</a>	29,89 €	28	Counter rail, front or rear, Rt. raw alu	<a href="#">172952</a>	40,15 €
28	Counter rail, front or rear, Rt., black coated	<a href="#">172052</a>	29,89 €	29	Rail at door, rear, black coated	<a href="#">172036</a>	28,60 €
29	Rail at door, rear, raw alu	<a href="#">172936</a>	37,96 €	30	Seal, door glass @ a-pillar Lt. or Rt.	<a href="#">172703</a>	7,08 €
30	Seal, door glass @ a-pillar Lt. or Rt.	<a href="#">172003</a>	17,85 €	31	Seal, door glass left 190SL OEM	<a href="#">172001</a>	44,03 €
31	Seal door glass, 190SL repro right	<a href="#">172702</a>	16,66 €	31	Seal, door glass 190SL repro left	<a href="#">172701</a>	16,66 €
31	Seal door glass right 190SL OEM	<a href="#">172002</a>	44,03 €	35	Chrome profile, A-pillar Rt.	<a href="#">172098</a>	106,41 €
35	Profile A-pillar Lt. unchromed	<a href="#">172089</a>	77,80 €	35	Profile A-pillar Rt. unchromed	<a href="#">172088</a>	77,80 €
35	Chrome profile, A-pillar Lt.	<a href="#">172097</a>	106,41 €	36	Chrome profile Lt. @ softtop f.	<a href="#">172095</a>	207,49 €
36	Chrome profile Rt. @ softtop f.	<a href="#">172094</a>	144,61 €	37	Chrome profile Lt. @ softtop m.	<a href="#">172093</a>	155,00 €
37	Chrome profile Rt. @ softtop m.	<a href="#">172092</a>	164,48 €	38	Chrome profile Lt. @ softtop r.	<a href="#">172091</a>	285,99 €
38	Chrome profile Rt. @ softtop r.	<a href="#">172090</a>	285,99 €	40	Window regulator 190SL, Rt., Repro	<a href="#">172220</a>	719,95 €
40	Window regulator 190SL, Lt., Repro	<a href="#">172210</a>	719,95 €	41	Escutcheon assembly, with spring	<a href="#">176002</a>	67,50 €
42	Window crank handle,(with chrome knob)	<a href="#">176081</a>	213,20 €	43	Washer Kit for Mounting Window Regulator - 1237200114	<a href="#">272752</a>	10,88 €
50	Escutcheon > 7500411	<a href="#">176045</a>	65,99 €	52	Escutcheon, inner door handle	<a href="#">176855</a>	21,00 €
52	Escutcheon, inner door handle	<a href="#">176055</a>	8,39 €	53	Door open ctrl handle LT from '57	<a href="#">176050</a>	223,17 €
53	Door open ctrl handle RT from '57	<a href="#">176060</a>	223,17 €	53	Door open ctrl handle LT from '57	<a href="#">176850</a>	239,30 €
53	Door open ctrl handle RT from '57	<a href="#">176860</a>	238,00 €	54	Pull rod late Lt.	<a href="#">172044</a>	57,94 €
54	Pull rod early Rt.	<a href="#">172043</a>	57,94 €	54	Pull rod early Lt.	<a href="#">172042</a>	57,94 €
54	Pull rod late Rt.	<a href="#">172045</a>	57,94 €	56	Rubber rod guide 190SL, R113, 111Cpe/Cab	<a href="#">298005</a>	5,55 €
56	Rubber rod guide 190SL, R113, 111Cpe/Cab	<a href="#">298705</a>	5,95 €	57	Door lock escutcheon plate	<a href="#">176066</a>	78,53 €
58	Chrome cover @ lock-lever	<a href="#">172868</a>	15,10 €	59	Mech actuator, early door opener	<a href="#">176036</a>	366,44 €
60	Chrome handle for int.locking repair	<a href="#">172195</a>	59,99 €	60	Locking handle assy, inner door ->'67 L	<a href="#">172193</a>	109,78 €
60	Locking handle assy. inner door ->'67 R	<a href="#">172194</a>	109,78 €	61	Pull rod for inside door lock, Rt.	<a href="#">172040</a>	59,33 €
61	Pull rod for inside door lock, Lt.	<a href="#">172041</a>	59,33 €	65	without Lock/knob: LH door handle	<a href="#">172830</a>	398,65 €
65	without lock/knob: door handle RH	<a href="#">172840</a>	398,65 €	66	Rubberpad, handle small pce, Lt. or Rt.	<a href="#">172021</a>	5,59 €
67	Rubberpad, Handle Rt.	<a href="#">172022</a>	8,62 €	67	Rubberpad, Handle Lt.	<a href="#">172023</a>	8,62 €
68	Door lock cylinder 03.1957->	<a href="#">172626</a>	416,50 €	68	Lock cyl. ->'57 (180°) cpl, Repro	<a href="#">172825</a>	447,37 €
68	Lock cylinder pair late, same key 03.57	<a href="#">172826</a>	469,13 €	68a	lock stamp, shape with flanges	<a href="#">172027</a>	118,32 €
68	Door lock cylinder pair ->02.'57	<a href="#">172625</a>	416,50 €	68a	Contoured ring, fits lock turning spring	<a href="#">172129</a>	21,42 €
68a	lock stamp, shape with flanges	<a href="#">172827</a>	73,78 €	68a	Lock stamp, shape "paddel style no flanges"	<a href="#">172727</a>	73,78 €
68	Door lock cylinder pair ->02.'57	<a href="#">172925</a>	474,81 €	68a	Coil spring, door lock cylinders	<a href="#">172124</a>	29,75 €
68	Door lock cylinder 03.1957->	<a href="#">172926</a>	456,95 €	68	Lock cyl. set 4 pcs, 1 key, 190SL Gen.2	<a href="#">172928</a>	833,00 €
68	Lock cyl.set. 4 pce, 1 key, 190SL Gen.4	<a href="#">172929</a>	865,00 €	69	Door striker, 190SL->016980 Lt.	<a href="#">172071</a>	68,72 €
69	Door striker, 190SL->016980 Rt.	<a href="#">172070</a>	68,70 €	72	Distancer, milled, ca. 1,35mm	<a href="#">172074</a>	35,05 €
72	Distancer, milled, ca. 1,55mm	<a href="#">172075</a>	40,11 €	72	Distancer, milled, ca. 1,15mm	<a href="#">172073</a>	27,16 €
73	Door catch Lt. R113 07.61->'67 3-hole	<a href="#">272055</a>	91,45 €	73	Door catch RT. 07.61->'67 3-hole	<a href="#">272022</a>	91,25 €
74	Countersunk screw M4 x 8 chrome eg lock esc	<a href="#">299042</a>	0,71 €	74	Covering, locks years '60-'61	<a href="#">472029</a>	59,00 €
74	Chr. plate, door lock, left	<a href="#">172029</a>	49,03 €	74a	Escutcheon, round lock	<a href="#">172076</a>	18,15 €
74	Chr. plate, door lock, Rt.	<a href="#">172028</a>	64,41 €	75	lock mechanism LH, no prot-lock	<a href="#">172049</a>	459,99 €
75	lock mechanism RH, no prot-lock	<a href="#">172048</a>	399,45 €	75	lock mechanism LH, w. prot-lock	<a href="#">272050</a>	478,39 €
75	lock mechanism RH, no prot-lock	<a href="#">272051</a>	432,21 €	80	Door panel, lower rail	<a href="#">172007</a>	32,13 €
81	Leather,door covering Rt. e.g.black	<a href="#">193180</a>	234,43 €	81	Leather,door covering Lt. e.g.black	<a href="#">193170</a>	234,43 €
82	Alu profile, arm rest trim	<a href="#">172008</a>	19,99 €	84	Insert stripe, for door pocket decoration moulding, color silver	<a href="#">172004</a>	3,56 €
86	Wooden rail above door Lt.	<a href="#">172110</a>	114,86 €	86	Wooden rail above door Rt.	<a href="#">172120</a>	114,86 €
87	Barbed clamp at wood trim	<a href="#">172115</a>	23,23 €	90	Door panel,raw board,Gen.II(ca,57->),L/R	<a href="#">172133</a>	54,25 €

90	Door panel,raw board, Gen. l(ca.->57)L/	<a href="#">172128</a>	50,21 €	91	4pcs. Wood kit, box+armrest Rt.	<a href="#">172134</a>	116,38 €
91	4pcs. Wood kit, box+armrest Lt.	<a href="#">172135</a>	116,38 €	92	Box panel, door Rt.	<a href="#">172136</a>	56,88 €
92	Box panel, door Lt.	<a href="#">172137</a>	57,12 €	95	Hidden mould, door panel Lt.	<a href="#">172139</a>	105,90 €
95	Hidden mould, door panel Rt.	<a href="#">172138</a>	105,90 €	97	escutcheon e.g. screw 277052, ..	<a href="#">277053</a>	3,02 €
98	Set of chrome screws 419 pcs for bucket seat car	<a href="#">191112</a>	749,99 €	98	Set of chrome screws 395 pcs	<a href="#">191111</a>	789,99 €
98	flat headed screw 4x20	<a href="#">267013</a>	0,38 €	98	Chromed screw countersunk eg.door panel	<a href="#">172199</a>	0,83 €

## 77, 79 Softtop, Hardtop

### 77.b Softtop Equipmet

77.b Softtop Equipmet



**i** Persenninge und Softtopbezüge sowie Verdeckkastenwände und Zierecken werden ohne montierte Druckknöpfe geliefert. Mit Einführung der Persenning (04.'56) waren Druckknöpfe und Zierecken m. Zusatzlöchern erforderlich.

Hood covers and fabric as well as box walls and J-trims will be supplied without mounted knobs



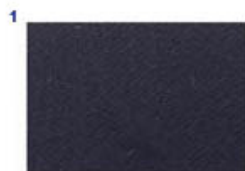
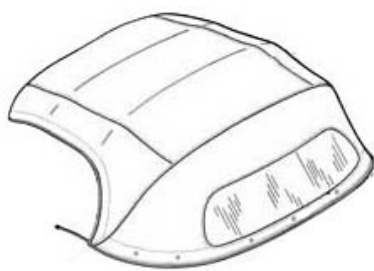
	Chrome screw M4, e.g. wire at canvas	<a href="#">277852</a>	2,36 €		W/S glastransp. incl. box(Germany)	<a href="#">967999</a>	121,25 €
2	Frame belts black, for softtop convertible top frame, 190SL REPRO	<a href="#">176801</a> <a href="#">177510</a>	39,57 € 6.819,79 €	3	Shoulder bolt S/T support, chromed	<a href="#">198721</a>	18,45 €
3	Wire, tensioner, see pict	<a href="#">177065</a>	24,89 €	3	Rope w.Tensioner, Set Lt.+Rt.	<a href="#">177066</a>	222,65 €
3	rope, S/T tensioner RT	<a href="#">177862</a>	103,55 €	5rd	rope, S/T tensioner LT	<a href="#">177861</a>	103,55 €
6	Rubber seal, roof to windshield frame OEM	<a href="#">177090</a>	186,00 €	7	Chrome bow, rounded profile, good repro	<a href="#">177019</a>	215,65 €
7	Seal, door glass 190SL repro left	<a href="#">172701</a>	16,66 €	7	Seal door glass right 190SL OEM	<a href="#">172002</a>	44,03 €
7	Seal, door glass left 190SL OEM	<a href="#">172001</a>	44,03 €	8	Seal door glass, 190SL repro right	<a href="#">172702</a>	16,66 €
9	Chrome profile Lt. @ softtop f.	<a href="#">172895</a>	101,52 €	9	Tension cable wire, Conv. top to body	<a href="#">177075</a>	38,85 €
9	Chrome profile Lt. @ softtop f.	<a href="#">172095</a>	207,49 €	9	Chrome profile Rt. @ softtop f.	<a href="#">172894</a>	101,52 €
10	Chrome profile Rt. @ softtop m.	<a href="#">172892</a>	113,05 €	10	Chrome profile Rt. @ softtop f.	<a href="#">172094</a>	144,61 €
10	Chrome profile Lt. @ softtop m.	<a href="#">172093</a>	155,00 €	10	Chrome profile Lt. @ softtop m.	<a href="#">172893</a>	113,05 €
11	Chrome profile Rt. @ softtop r.	<a href="#">172890</a>	92,86 €	11	Chrome profile Rt. @ softtop m.	<a href="#">172092</a>	164,48 €
11	Chrome profile Rt. @ softtop r.	<a href="#">172090</a>	285,99 €	11	Chrome profile Lt. @ softtop r.	<a href="#">172091</a>	285,99 €
12	Top latch, front, center	<a href="#">177010</a>	355,45 €	11	Chrome profile Lt. @ softtop r.	<a href="#">172891</a>	92,86 €
12	Verschluss vo.mitte	<a href="#">177810</a>	248,21 €	12	Countersunk lens-head bolt M5, chromed	<a href="#">177011</a>	1,79 €
15	Wood bow 190SL, front hood frame	<a href="#">177038</a>	272,69 €	15	Verdeckrahmen 190SL, vorn quer	<a href="#">177110</a>	351,55 €
17	Wood side bow 190SL, Left	<a href="#">177041</a>	195,15 €	16	Wood bow 190SL, rear	<a href="#">177037</a>	212,65 €
				18	Wood side bow 190SL, Rt.	<a href="#">177042</a>	195,15 €



19	Rubber seal, at left side wood	<a href="#">177023</a>	18,45 €	19	Rubber seal, at side wood, Rt.	<a href="#">177022</a>	18,45 €
20	1x1,50mtr.Frame canvas, black w.rubber	<a href="#">176755</a>	54,74 €	20	1x1,35mtr.Frame canvas, beige w.rubber	<a href="#">176750</a>	84,00 €
20	Frame canvas black + foam	<a href="#">176971</a>	65,09 €	20	Frame canvas beige + foam	<a href="#">176970</a>	65,45 €
20	1x1,35mtr.Frame canvas, beige w.rubber	<a href="#">176950</a>	65,45 €	20	Frame belts beige, for softtop	<a href="#">176702</a>	39,57 €
20	Frame belts beige, for softtop	<a href="#">176802</a>	54,74 €	20	Frame belts black, for softtop	<a href="#">176701</a>	39,57 €
21	Set 8 frame link bolts w/o rivet bolts	<a href="#">177280</a>	261,06 €	21	Shoulder bolt, S/T support, stainless	<a href="#">198821</a>	28,50 €
21	Shoulder bolt S/T support, chromed	<a href="#">198021</a>	53,56 €	22	Shoulder bolt, short version, chromed	<a href="#">198022</a>	13,23 €
22	Shoulder bolt, short, stainless steel	<a href="#">198822</a>	27,49 €	23	Shoulder bolt, long version, chromed	<a href="#">198023</a>	19,99 €
23	Rest: Shoulder bolt, chromed, long	<a href="#">198823</a>	27,19 €	25	Front J hook @ corner of C/top	<a href="#">177025</a>	162,74 €
27	Chrome bolt hex.w.peak, S/T-mount	<a href="#">177247</a>	31,89 €	28	Spring washer, chromed	<a href="#">177248</a>	6,19 €
29	Shim, chromed, for M10 bolts	<a href="#">177249</a>	4,99 €	30	Alu handle at S/T frame	<a href="#">177814</a>	88,95 €
30	chrome handle at softtop frame	<a href="#">177015</a>	159,25 €	30	Alu handel @ softtop frame	<a href="#">177014</a>	52,28 €
30	Chrome screw, handle at wood front bow	<a href="#">177018</a>	4,11 €	40	Boot, leather	<a href="#">177200</a>	535,50 €
40	Wind mesh "Weyer" adaptable to 190SL	<a href="#">186805</a>	190,40 €	41	Cap part of snap	<a href="#">177005</a>	1,79 €
42	Spring eye part of snap	<a href="#">177006</a>	0,39 €	44	Rivet part of snap	<a href="#">177004</a>	0,27 €
45	slotted raised countersunk head screw M4 X 8	<a href="#">198025</a>	0,35 €	45	Ball to screw, part of snap	<a href="#">177003</a>	0,43 €
46	Tensioner link Lt.	<a href="#">177071</a>	47,68 €	47	Tensioner LHD, steel lever	<a href="#">177870</a>	122,75 €
47	Tensioner at body, Lt.	<a href="#">177070</a>	74,41 €	48	Tensioner rhd, steel lever	<a href="#">177880</a>	122,75 €
48	Tensioner at body, Rt.	<a href="#">177080</a>	74,41 €	49	Tensioner link Rt.	<a href="#">177081</a>	47,68 €
50	J-Frame, Conv. top attachment to body	<a href="#">177900</a>	489,84 €	50	Cardbox for large spareparts, 170x60x80cm	<a href="#">967993</a>	25,82 €
51	End rail cap, 1 hole->6501781	<a href="#">177051</a>	75,20 €	51	Screw @ front grille	<a href="#">188071</a>	1,54 €
51	End rail cap, 3-hole, brass chromed (left)	<a href="#">177850</a>	119,00 €	51	End rail cap, 3 holes 6501781>	<a href="#">177050</a>	129,90 €
52	End rail cap, 3-hole, brass chromed	<a href="#">177860</a>	119,00 €	52	End rail cap, 1 hole->6501781	<a href="#">177061</a>	109,00 €
52	End rail cap, 3 holes 6501781>	<a href="#">177060</a>	129,90 €	55	Stow position hook, Lt.	<a href="#">177033</a>	249,90 €
56	Stow position hook, Rt.	<a href="#">177044</a>	249,90 €	56	DIN 966 (prev.7988) M5x12, chromed Phillips bolt DIN 966	<a href="#">177048</a>	2,20 €
60	Support softtop tensioner rope LT	<a href="#">177058</a>	162,85 €	60	Support Softtop rope tensioner RT	<a href="#">177068</a>	162,85 €
62	escutcheon e.g. screw 277052, ..	<a href="#">277053</a>	3,02 €	62	Chrome screw M4, e.g. wire at canvas	<a href="#">277052</a>	1,79 €

## 77.a Softtop

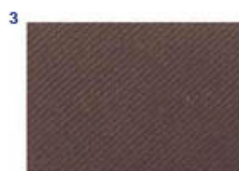
77.a Softtop



aussen schwarz



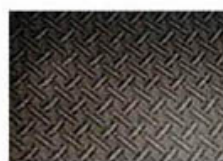
aussen dunkelblau



aussen dunkelbraun



innen beige



innen schwarz



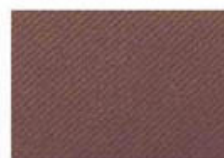
aussen hellbeige



aussen dunkelbeige



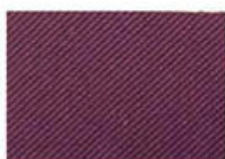
aussen mahagoni



aussen rotbraun



aussen aignerrot



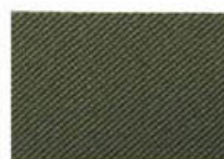
aussen magenta



aussen perlbeige



aussen classicgrau



aussen grau-grün

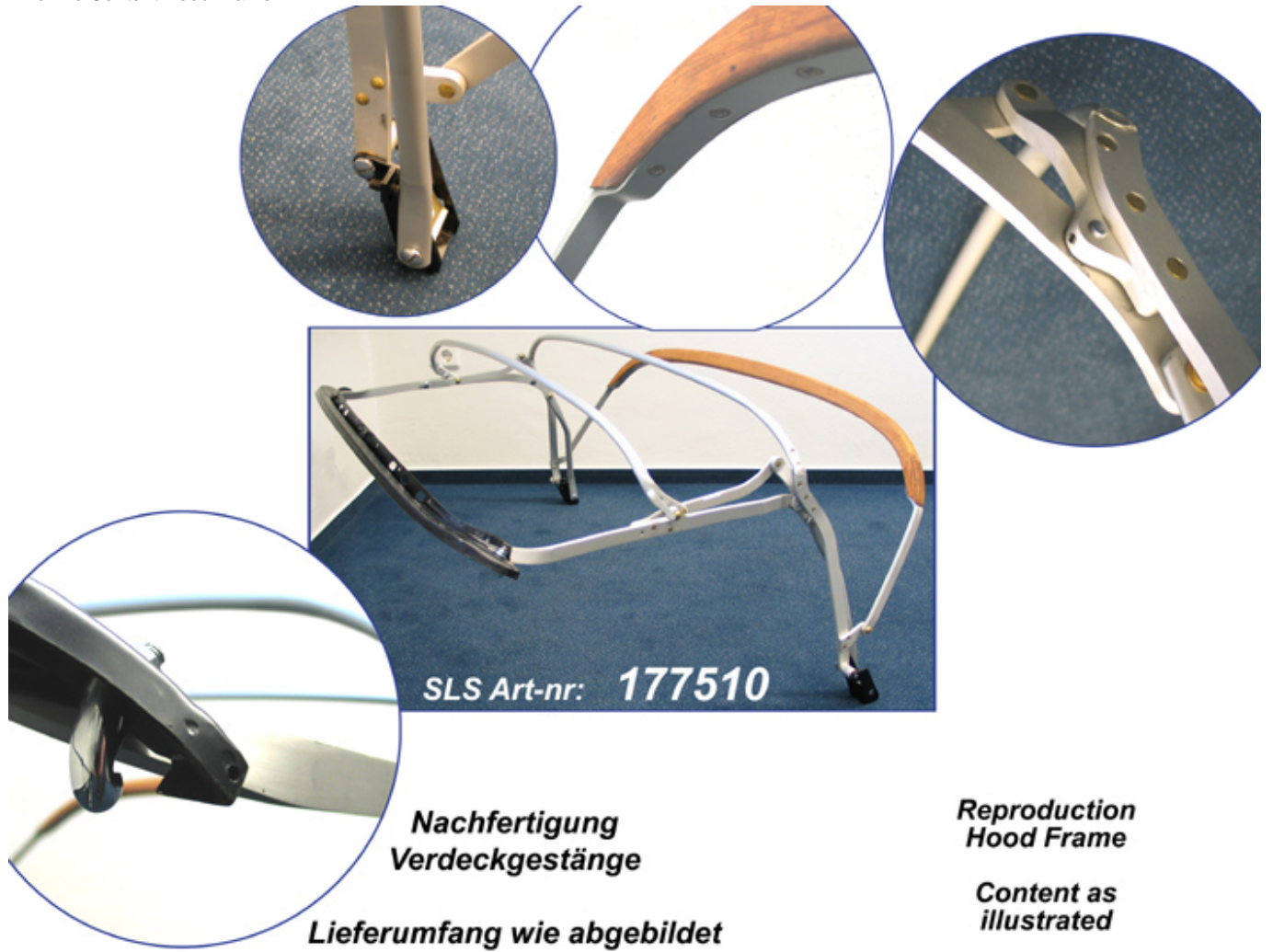


aussen kobaltblau

1	Frame belts beige, for softtop	<a href="#">176802</a>	54,74 €	1	Frame belts black, for softtop	<a href="#">176801</a>	39,57 €
	Softtop hood black/creme, premium	<a href="#">176500</a>	999,99 €	1	Softtop hood black/black, premium	<a href="#">176501</a>	1.099,99 €
1	Softtop hood'Sonnenland'	<a href="#">176301</a>	799,99 €	2	Softtop hood blue/creme, premium	<a href="#">176520</a>	999,99 €
	black/black			2	Softtop hood blue/creme, premium	<a href="#">176521</a>	999,99 €
2	Softtop hood'Sonnenland'	<a href="#">176321</a>	553,35 €	3	Softtop hood brown/creme,	<a href="#">176530</a>	999,99 €
	darkblue/black				premium		
2	Softtop hood'Sonnenland'	<a href="#">176320</a>	748,99 €	3	Softtop hood'Sonnenland'	<a href="#">176330</a>	553,35 €
	darkblue/beige				darkbrown/beig		
3	Softtop hood'Sonnenland'	<a href="#">176331</a>	553,35 €	3	Softtop hood'Sonnenland'	<a href="#">176330</a>	553,35 €
	darkbrown/blac				darkbrown/beig		
3	Softtop hood brown/black, premium	<a href="#">176531</a>	999,99 €	4	Verdeckbezug 190SL	<a href="#">176590</a>	899,99 €
					hellbeige/beige		
4	Verdeckbezug 190SL	<a href="#">176984</a>	1.189,99 €	4	Verdeckbezug 190SL	<a href="#">176651</a>	1.189,99 €
	dunkelbeige/be				magenta/schwarz		
4	Verdeckbezug 190SL	<a href="#">176641</a>	1.255,45 €	4	Verdeckbezug 190SL	<a href="#">176640</a>	1.255,45 €
	aignerrot/schwarz				aignerrot/beige		
4	Verdeckbezug 190SL classic-	<a href="#">176631</a>	899,99 €	4	Verdeckbezug 190SL	<a href="#">176591</a>	899,99 €
	grau/schwarz				hellbeige/schwarz		
4	Softtop hood'Sonnenland'	<a href="#">176361</a>	628,32 €	4	Verdeckbezug 190SL	<a href="#">176581</a>	899,99 €
	redbrown/black				dunkelbeige/schwarz		
4	Softtop 190SL mahagoni/beige	<a href="#">176571</a>	899,99 €	4	Verdeckbezug 190SL	<a href="#">176561</a>	809,20 €
					rotbraun/schwarz		
4	Softtop hood'Sonnenland'	<a href="#">176371</a>	628,32 €	4	Softtop hood'Sonnenland'	<a href="#">176451</a>	628,32 €
	mahagoni/black				magenta/black		
4	Softtop hood'Sonnenland'	<a href="#">176391</a>	628,32 €	4	Softtop hood'Sonnenland'	<a href="#">176390</a>	727,44 €
	lightbeige/bla				lightbeige/bei		
4	Softtop hood'Sonnenland'	<a href="#">176381</a>	628,32 €	4	Verdeckbezug 190SL	<a href="#">176551</a>	1.130,50 €
	darkbeige/schw				graugrün/schwarz		

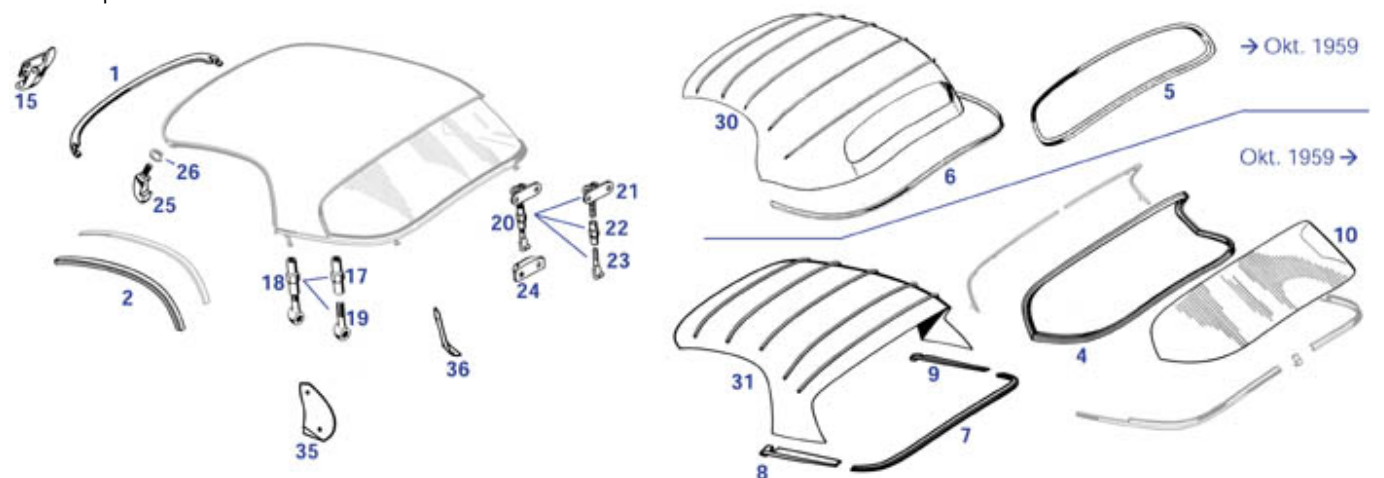
## 77.c Info Content Hood Frame

77.c Info Content Hood Frame



## 79 Hardtop

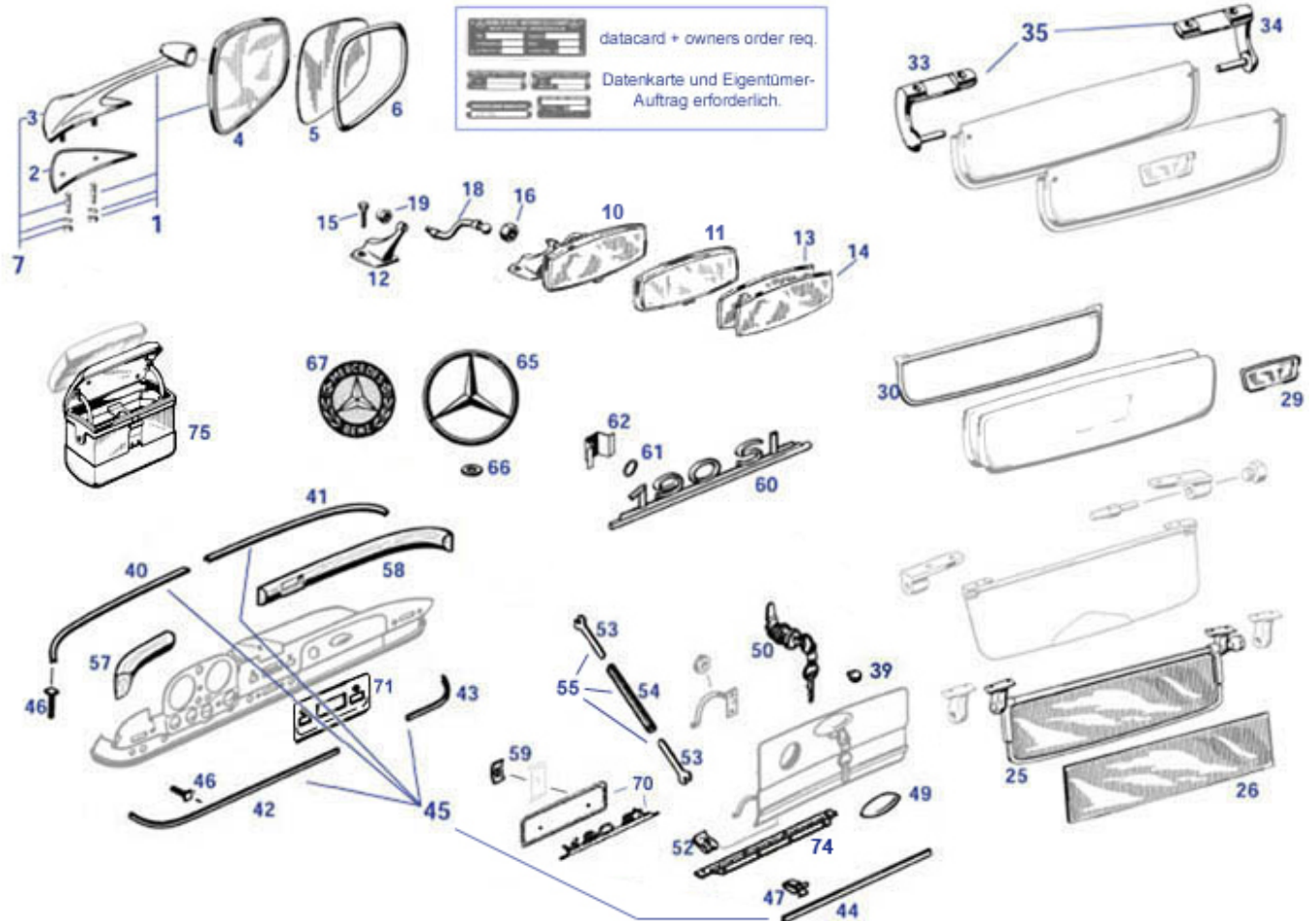
79 Hardtop



	Bolt for coupe hardtop sunvisor	<a href="#">181014</a>	13,09 €	1	Rubber seal, roof to windshield frame OEM	<a href="#">177090</a>	186,00 €
2	Seal, door glass 190SL repro left	<a href="#">172701</a>	16,66 €	2	Seal, door glass left 190SL OEM	<a href="#">172001</a>	44,03 €
2	Seal door glass right 190SL OEM	<a href="#">172002</a>	44,03 €	2	Seal door glass, 190SL repro right	<a href="#">172702</a>	16,66 €
4	Seal, HT, Large rear window	<a href="#">179001</a>	89,80 €	5	Seal Hardtop (small) rear window OEM-Quality	<a href="#">179002</a>	90,67 €
7	Hardttop-Seal (large window)	<a href="#">179025</a>	102,99 €	8	Rubber LH, late hardtop @ body	<a href="#">179010</a>	39,00 €
9	Rubber RH, late hardtop @ body	<a href="#">179020</a>	39,00 €	15	Top latch, front, center	<a href="#">177010</a>	355,45 €
15	Countersunk lens-head bolt M5, chromed	<a href="#">177011</a>	1,79 €	15	Verschluss vo.mitte	<a href="#">177810</a>	248,21 €
17	Threaded tube, fits lock LH or RH	<a href="#">177078</a>	44,29 €	17	Threaded tube, fits lock LH or RH	<a href="#">177089</a>	44,29 €
18	H/Top turnbuckle at door post Lt.	<a href="#">177077</a>	304,52 €	18	H/Top turnbuckle at door post Rt.	<a href="#">177088</a>	304,52 €
18	H/Top turnbuckle at door post Rt.	<a href="#">177877</a>	226,58 €	19	Banjo bolt, fits lock, RH	<a href="#">177087</a>	261,35 €
19	Banjo bolt, fits lock LH	<a href="#">177076</a>	251,29 €	20	H/Top turnbuckle, rear	<a href="#">169070</a>	274,54 €
21	Lock bracket rear	<a href="#">169071</a>	133,96 €	22	Threaded tube, rear lock	<a href="#">169072</a>	49,99 €
23	Hook, rear lock	<a href="#">169073</a>	228,79 €	24	Catch for rear turn buckle	<a href="#">169080</a>	88,95 €
25	Front J hook @ corner of C/top	<a href="#">177025</a>	162,74 €	30	Headliner, cotton creme, small window	<a href="#">179803</a>	299,99 €
35	Cover at door post left, USED	<a href="#">169130</a>	150,18 €	36	Cover at door post Rt.	<a href="#">169140</a>	150,18 €

# 81 Interior Equipment

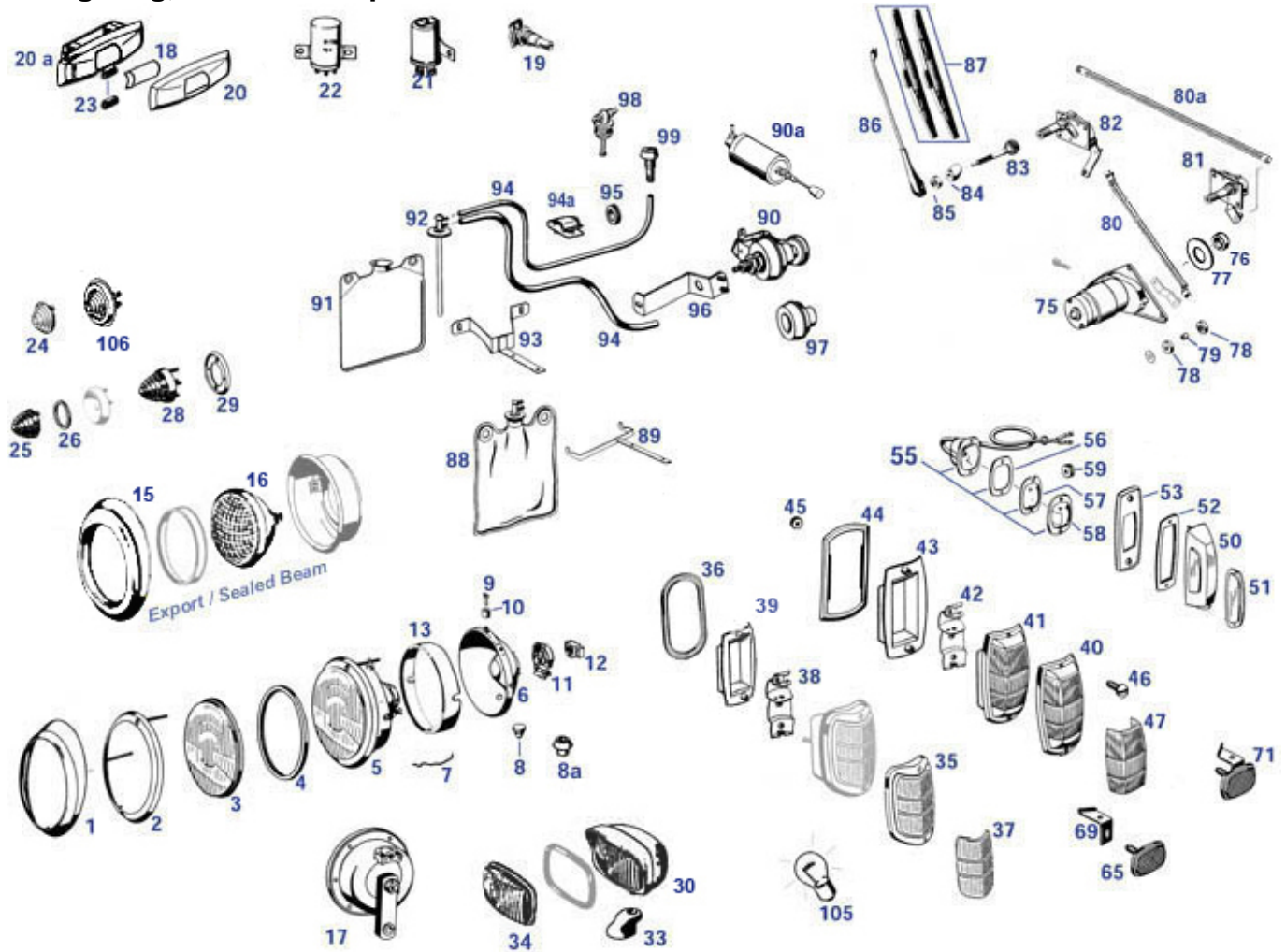
## 81 Interior Equipment



bits	thread pin, inner hex, e.g. mirror base	<a href="#">181024</a>	0,76 €		Set of chrome screws 419 pcs for bucket seat car	<a href="#">191112</a>	749,99 €
	Set of chrome screws 395 pcs	<a href="#">191111</a>	789,99 €	2	Outside mirror underlay, Rt.	<a href="#">181021</a>	10,50 €
2	Outside mirror underlay, Lt.	<a href="#">181011</a>	10,29 €	3	Outside mirror base 190SL, Lt.	<a href="#">181009</a>	143,68 €
3	Outside mirror base 190SL, Rt.	<a href="#">181019</a>	143,68 €	4	Mirror head ->67, Repro, clear	<a href="#">181125</a>	47,10 €
4	Mirror head ->67, Repro, tinted	<a href="#">181025</a>	43,64 €	5	Replacement glass, tinted	<a href="#">181026</a>	22,00 €
6	A0008110165 Replacement nylon bezel	<a href="#">181027</a>	14,70 €	11	Inside mirror, head only	<a href="#">181045</a>	738,99 €
12	Inside mirror, base (Repro, chromed)	<a href="#">181037</a>	259,00 €	13	Inside mirr. glass, silverd, Repro-2,9mm	<a href="#">181738</a>	94,95 €
14	Inside mirror glass, clear transp., D=2,9mm	<a href="#">181739</a>	53,49 €	15	Hex Hd. bolt	<a href="#">181036</a>	18,93 €
16	Nut, head to goose neck	<a href="#">181046</a>	16,39 €	18	Inside mirror goose neck	<a href="#">181849</a>	136,49 €
18	Inside mirror goose neck	<a href="#">181049</a>	105,60 €	19	Acorn nut on end of goose neck at base	<a href="#">181048</a>	10,70 €
25	Sun visor, 190SL ->03.58, Lt.	<a href="#">181007</a>	485,33 €	25	Sun visor, 190SL ->03.58, Rt.	<a href="#">181008</a>	485,33 €
26	brown lens insert, Roadster visor	<a href="#">181056</a>	36,22 €	26	Visor, plexiglass insert	<a href="#">181055</a>	28,12 €
29	Mirror glass, visor late	<a href="#">181004</a>	18,10 €	30	Metal frame, 190SL late visor	<a href="#">181013</a>	64,36 €
33	Bracket, sunvisor 8mm Lt.	<a href="#">181003</a>	110,93 €	33	Senkschraube LiKo VA, 4,2 x 16	<a href="#">999932</a>	0,56 €
34	Bracket, sunvisor 8mm Rt.	<a href="#">181002</a>	110,93 €	34	Counter sunk screw 4,2x14, industrial chromed	<a href="#">799932</a>	0,58 €
39	Rubber plug, e.g. drain holes ca. 8mm	<a href="#">198005</a>	1,55 €	39	rubber pad glove box	<a href="#">199027</a>	7,98 €
39	Rubber buffer 5mm,121,113,10	<a href="#">298066</a>	0,89 €	40	chrome moulding, dashboard Lt. on top	<a href="#">168061</a>	165,40 €
41	Chrome moulding, dashboard Rt. on top	<a href="#">168060</a>	165,40 €	42	chrome moulding, dashboard Lt. bottom	<a href="#">168063</a>	109,90 €
43	chrome moulding, dashboard Rt. bottom	<a href="#">168064</a>	109,90 €	44	chrome moulding, Glove box lid	<a href="#">168062</a>	70,39 €

46	T-Head screw @ dashboard moulding	<a href="#">168065</a>	3,33 €	47	Clip, for glovebox trim	<a href="#">168066</a>	4,28 €
49	Glove box handle	<a href="#">168078</a>	109,13 €	49	Bolt M3 e.g. Glove box handle	<a href="#">168079</a>	0,82 €
50	Glove box lock, Repro	<a href="#">168980</a>	102,72 €	50	Lock cyl. set 4 pcs, 1 key, 190SL Gen.2	<a href="#">172928</a>	833,00 €
50	Lock cyl.set. 4 pce, 1 key, 190SL Gen.4	<a href="#">172929</a>	865,00 €	52	Spring clip nut, 4,2, e.g. wing 107,..	<a href="#">299028</a>	0,33 €
53	Fork, glovebox lid	<a href="#">168070</a>	8,09 €	54	Glove box closure spring	<a href="#">168071</a>	10,82 €
57	Wooden dashboard moulding Lt.	<a href="#">168810</a>	44,89 €	58	Wooden dashboard moulding RH-side (LHD)	<a href="#">168820</a>	221,44 €
60	Type designation 190SL Repro, @ boot lid	<a href="#">181840</a>	66,46 €	61	Seal ring @ type designation	<a href="#">181041</a>	1,64 €
62	Bolt M3 for sign	<a href="#">181043</a>	0,13 €	62	Mounting Bracket	<a href="#">181042</a>	10,19 €
66	Rubber washer	<a href="#">175012</a>	1,11 €	71	Speaker box 190SL, wood, leather, black	<a href="#">168017</a>	519,99 €
74	Hinge Strip glove box	<a href="#">168118</a>	172,55 €	75	Ashtray, version chrome cap	<a href="#">181000</a>	399,90 €
75	"Ashtray "wood on cap",to be upholstere	<a href="#">180999</a>	424,00 €	181014	Bolt for coupe hardtop sunvisor	<a href="#">181014</a>	13,09 €

## 82 Lighting, W.-screen-wipe & wash



	Bulb 12V 15W BA15S, halo modernized	<a href="#">399083</a>	3,69 €		Bulb 12V / 5W, torpedo, total length 38	<a href="#">299098</a>	1,54 €
	Clip, see picture, Pls follow recommendation 254874	<a href="#">254774</a>	0,60 €		Clearance light switch	<a href="#">154042</a>	276,66 €
	Door switch, Reproduction	<a href="#">182821</a>	26,00 €		overhauled OEM headlight switch W121	<a href="#">154133</a>	977,61 €
	Bulb holder ->1956 type 5 bulbs	<a href="#">182103</a>	646,17 €	1	Headlight chrome surround, repro, not USA	<a href="#">182036</a>	141,00 €
2	Headlight inner rim, EURO	<a href="#">182032</a>	48,79 €	3	Lens headlight, Euro RH-traffic, Bosch	<a href="#">182900</a>	113,05 €
4	Seal ring, Euro headlight	<a href="#">182033</a>	10,20 €	5	Headlight, 190SL..., Ponton, EURO LHD	<a href="#">182030</a>	494,69 €
6	Bulb, parking light, 12V/4W, BA9S	<a href="#">299099</a>	1,39 €	6	Reflector, EURO Headlight	<a href="#">182800</a>	48,20 €
6	Bulb, 40/45W, Bilux	<a href="#">299092</a>	3,99 €	7	Spring retainer wire	<a href="#">182831</a>	2,50 €
8	Rubber buffer 5mm, 121, 113, 10	<a href="#">298066</a>	0,89 €	8a	Rubbergrommet, headlight bucket	<a href="#">182857</a>	16,78 €
9	Bracket, headlight mirror adjuster	<a href="#">182805</a>	5,58 €	10	Rubber bushing at reflector	<a href="#">182807</a>	2,38 €
12	Socket, fits Bilux-bulb, classic style	<a href="#">182041</a>	6,89 €	12	Connector Bilux / H4, spring wire clip	<a href="#">182841</a>	4,25 €
13	Bracket ring, headlight	<a href="#">182950</a>	82,90 €	17	Rest ! 1 pair retro horns, chrome, imported	<a href="#">454013</a>	75,90 €
18	Lens, interior light	<a href="#">182066</a>	12,50 €	20 a	Dashboard lamp, complete	<a href="#">182128</a>	384,00 €
20	Cover, map light	<a href="#">182065</a>	132,99 €	21	Housing, fits up to 5 crimp-shoes	<a href="#">554070</a>	2,99 €
21	universal flasher relay 12V 4x21W Bosch, flat pole	<a href="#">582070</a>	52,40 €	21	Turn signal transmitter (metal), Bosch	<a href="#">182001</a>	98,18 €
22	Pulse generator, flat connectors, plastic housg, Hella	<a href="#">154018</a>	29,39 €	22	Sticker "Blinkgeber senkrecht einbauen"	<a href="#">179026</a>	5,70 €
23	Plastic knob for light chrome cap	<a href="#">182067</a>	36,89 €	24	Rest: Indicator lens small, yellow	<a href="#">182808</a>	28,13 €
24	Lens, early indicator, amber	<a href="#">182108</a>	28,69 €	24	Indicator lens small, clear	<a href="#">182809</a>	14,28 €
24	Lens, small(->58), clear	<a href="#">182008</a>	31,50 €	25	European, yellow lens	<a href="#">182022</a>	38,90 €

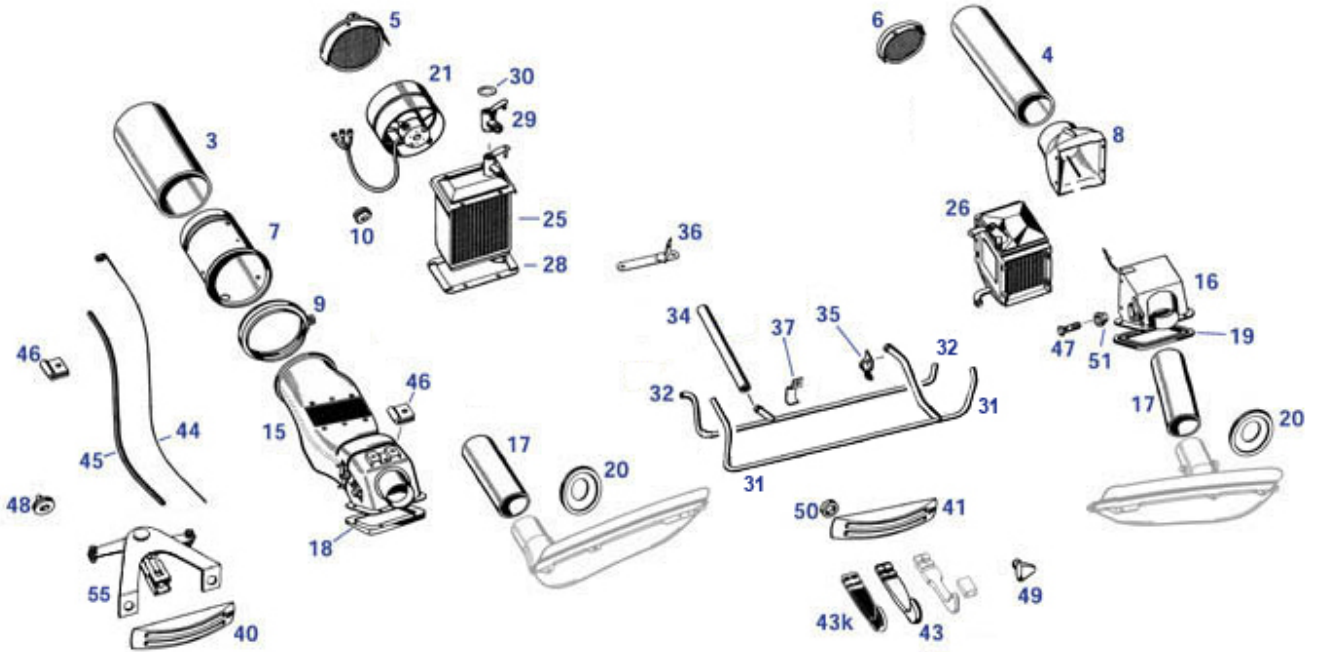
25	Dir lamp lens,amber,late(=large),reinforced	<a href="#">182822</a>	41,50 €	25	dir lamp lens late (=large), clear, reinforced	<a href="#">182823</a>	41,50 €
25	Plastic, twist on-off, clear lens	<a href="#">182023</a>	39,66 €	26	Seal,dir.lightlens	<a href="#">182024</a>	5,20 €
28	Indicator+park light '58-> white lens	<a href="#">182025</a>	119,44 €	28	bulb (2 filament), amber, 5/21W	<a href="#">199094</a>	1,90 €
28	Bulb 12V / 21W direction indicator	<a href="#">299085</a>	1,25 €	28	Bulb 12V/18W direction indicator	<a href="#">299087</a>	3,33 €
28	Bulb, 5/18 watts (2 filament), 12V, clear	<a href="#">499090</a>	1,44 €	28	Turn signal assy, lens, glass	<a href="#">182020</a>	114,09 €
29	Rubber pad, parking light to fender	<a href="#">182026</a>	6,70 €	30	Bulb, 35W, Fog light	<a href="#">299093</a>	8,32 €
30	Set fog lights 190SL yellow REPRO	<a href="#">182355</a>	518,64 €	33	Bracket f. foglights	<a href="#">182305</a>	145,78 €
34	Lens, fog, 130x75mm oval type, yellow	<a href="#">182300</a>	35,08 €	34	Lens, plastic, clear, oval type	<a href="#">182301</a>	35,08 €
35	Tail light lens 190SL, early	<a href="#">182000</a>	168,00 €	36	Seal, tail light lens to body early	<a href="#">182002</a>	38,23 €
37	Tail light lense, 190SL early	<a href="#">182003</a>	49,99 €	37	Taillight lens, early red/red	<a href="#">182102</a>	49,09 €
38	Lamp holder ->1956 type 5 bulbs	<a href="#">182803</a>	564,14 €	39	shell, inner housing, early (small) taillights	<a href="#">182116</a>	148,99 €
40	Tail light lens, FN, Red/Clr/Amber	<a href="#">182014</a>	145,36 €	40	Tail light lens, FN, Red/Clr/Red, repro	<a href="#">182915</a>	145,00 €
41	Tail light assy, FN, Red/Clr/Red	<a href="#">182010</a>	345,27 €	41	Tail light assy, FN, Red/Clr/Amber	<a href="#">182012</a>	342,72 €
42	Bulb reflector, tail light	<a href="#">182016</a>	102,20 €	43	Hsg for tail light refl.	<a href="#">182017</a>	100,97 €
44	Seal tail light lens->body late (large)	<a href="#">182011</a>	21,68 €	45	Rubber grommet 10/15, taillight bucket 190SL, 107	<a href="#">199020</a>	1,08 €
46	Screw, chromed, tail lens	<a href="#">182013</a>	1,19 €	46	raised countersunk head screw, stainless steel M4X14	<a href="#">182099</a>	0,30 €
47	Tail light lense, red/clr/red, late	<a href="#">182006</a>	49,98 €	47	Rep-lens taillight yellow/red late	<a href="#">182007</a>	49,10 €
50	Bulb 12V / 10W, torpedo, total length 44	<a href="#">299094</a>	1,44 €	50	Lamp lic-plate early 2-lenses RT	<a href="#">182049</a>	787,99 €
51	Lens, Lic.plate light early	<a href="#">182052</a>	20,50 €	51	Rubber seal lic light lens early	<a href="#">182051</a>	10,39 €
52	Rubberseal, taillight early	<a href="#">182054</a>	26,95 €	53	Rubber pad, Hsg. to body, non original size (smaller)	<a href="#">182853</a>	31,89 €
55	License plate lights in bumper guards	<a href="#">182088</a>	177,99 €	56	Lic. Plt Lgt seal at bumper	<a href="#">182073</a>	7,16 €
57	Lens,latebumper,platelighting	<a href="#">182071</a>	12,50 €	58	Chrome cover plate for lens	<a href="#">182072</a>	22,76 €
59	Grommet, 4,5/10mm, cable@wheelarch	<a href="#">182005</a>	2,53 €	59	Rbr grommet,7/10,113 washpipe,121 boot	<a href="#">299011</a>	1,08 €
65	Bumper reflector, European	<a href="#">182082</a>	49,99 €	65	Bumper Reflector	<a href="#">182882</a>	73,99 €
69	Reflector bracket Lt.	<a href="#">182085</a>	30,64 €	69	Reflector bracket Rt.	<a href="#">182084</a>	30,64 €
69	Simplified bracket, Europ refl.to bumpe	<a href="#">182885</a>	6,81 €	69	Simplified bracket, Europ refl.to bumpe	<a href="#">182884</a>	6,81 €
75	Wiper motor	<a href="#">182500</a>	1.832,14 €	76	Rubber tube, wiper motor mount	<a href="#">182407</a>	6,50 €
77	seal washer, wiper motor->bulkhead	<a href="#">182408</a>	6,07 €	78	Washer, No./Licence plate	<a href="#">188098</a>	2,82 €
79	Bushing, wiper motor mounting	<a href="#">182582</a>	4,40 €	80a	Drive rod long, wiper gear Rt to Lt	<a href="#">182511</a>	189,35 €
80	Drive rod, motor to Rt. wiper box	<a href="#">182509</a>	176,79 €	81	Wiper transmission LH w.shaft	<a href="#">182512</a>	692,64 €
81	Wiper transmission, LH w/o shaft	<a href="#">182510</a>	551,21 €	82	Wiper transmission RH w.shaft	<a href="#">182522</a>	692,64 €
82	Wiper transmission, RH. w/o shaft	<a href="#">182520</a>	551,21 €	83	Shaft and bushing, wiper drive L or R	<a href="#">182815</a>	209,99 €
83	Bushing and Wiper shaft	<a href="#">182515</a>	125,87 €	84	Wiper shaft seal	<a href="#">182018</a>	12,74 €
85	Hex Nut Wiper	<a href="#">182503</a>	12,80 €	85	Cap, wiper shaft, altern.quality	<a href="#">182845</a>	19,52 €
85	Chrome cap, wiper shaft	<a href="#">182045</a>	23,00 €	86	Wiper arm 190SL	<a href="#">182095</a>	106,20 €
86	Wiper arm 190SL repro	<a href="#">182995</a>	104,90 €	87	Rubberstrip, 190SL wiperblade	<a href="#">182061</a>	20,36 €
87	1 pair wipers, Repro, stainless	<a href="#">182761</a>	76,16 €	87	wiperblade repro 1 piece	<a href="#">182760</a>	50,69 €
87	wiperblade 1 piece	<a href="#">182860</a>	80,59 €	88	Washer bag, e.g. 190SL early	<a href="#">186706</a>	174,99 €
88	Sticker "Antisilin", if early washerbag	<a href="#">186707</a>	6,96 €	88	N/A: Washer bag w/o valve	<a href="#">186005</a>	208,00 €
88	Washer bag early, w. alu-cap	<a href="#">186705</a>	209,26 €	89	Bracket, washer bag ->'59	<a href="#">186012</a>	101,53 €
90	serrated lock washer, internal teeth, zinc plated 17mm	<a href="#">186049</a>	1,00 €	90a	Washer pump early, dash/hand driven	<a href="#">186700</a>	386,75 €
90	Nut, M16 x 1.5 , foot pump to bracket	<a href="#">186048</a>	1,69 €	90	Rubber bellow, washer pump	<a href="#">186021</a>	44,35 €
90	Alu fitting, washer pump	<a href="#">186023</a>	88,18 €	90	Washer foot pump, reproduction	<a href="#">186820</a>	535,50 €
90	Washer foot pump, overh.mech.w.switch	<a href="#">186020</a>	636,46 €	91	WS washer tank, repro with cap	<a href="#">186810</a>	87,26 €
92	Washer bag cap w.valve e.g to 186015, B-Quality	<a href="#">186015</a>	18,86 €	93	Bracket, washer bag '59 ->	<a href="#">186011</a>	83,38 €
94	See new article number 254874   A0009883378, Clip	<a href="#">254074</a>	1,49 €	94	Hose, w'washer, flex.,per metre	<a href="#">186040</a>	1,84 €
94a	clip, e.g. wire fixture 190SL, R113, R/C107	<a href="#">254874</a>	1,50 €	95	Rubber grommet 3/18, 121,113,107 and other	<a href="#">199010</a>	1,67 €
96	Foot pump mounting bracket	<a href="#">186045</a>	55,25 €	96	Foot pump mounting bracket repro	<a href="#">186845</a>	37,14 €
97	Rubber bellows for foot pump	<a href="#">186022</a>	40,31 €	98	Windshield spray nozzle, early	<a href="#">186831</a>	180,99 €



99	Double nozzle washer jet, div. from <a href="#">186830</a>	40,96 €	99	Chrome washer dble-jet, <a href="#">186030</a>	58,50 €
105	... Bulb, 5/21W (2 filament) <a href="#">199090</a>	1,49 €	105	190late(bonnet) Bulb 12V 15W BA15S, halo <a href="#">399084</a>	3,92 €
105	Halogene bulb, fits in Bilux socket <a href="#">299192</a>	5,74 €	105	modernized Bulb 1.2W, glass socket, switch- knob, cockpit <a href="#">299097</a>	1,79 €
105	Bulb, e.g. trunk light <a href="#">282033</a>	2,50 €	105	light bulb 12V/2W, BA9s, eg. <a href="#">254033</a>	2,20 €
106	Indicator light small, yellow, complete <a href="#">182038</a>	69,85 €	106	Instruments Indicator light small, clear, complete <a href="#">182039</a>	69,85 €

# 83 Heater System

83 Heater System

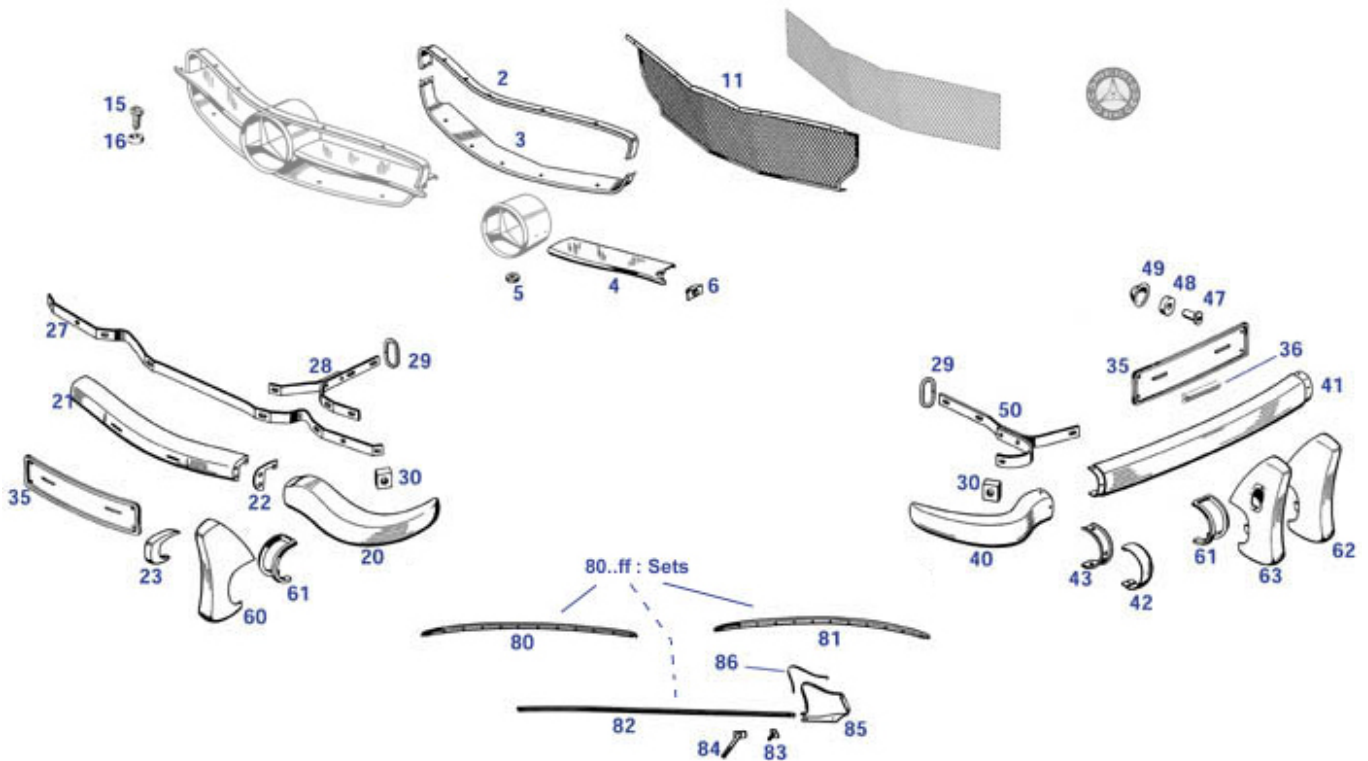


w.o.sign	Chromed heater control esc. outer	<a href="#">183301</a>	99,90 €		set of side walls for repair of RH heater core	<a href="#">183718</a>	237,54 €
w.o.sign	Blue insert for escutcheons	<a href="#">183303</a>	3,95 €	3	product replaced: Lock / winding clip for 9mm strap	<a href="#">109035</a>	2,09 €
3	Air duct hose, front Lt, Lgth.185mm	<a href="#">183035</a>	114,84 €	3	1m metal strip, 9mm clamp	<a href="#">109030</a>	4,00 €
3	Air duct hose, front Lt, Lgth.185mm	<a href="#">183835</a>	61,00 €	4	Hose, air duct, front Rt. Lgth 390mm	<a href="#">183036</a>	99,00 €
5	Heater bug screen, Lt.	<a href="#">183011</a>	45,03 €	6	Heater bug screen, Rt.	<a href="#">183012</a>	31,00 €
7	Heater air tube (LH around blower)	<a href="#">183013</a>	169,99 €	8	Connection to heater core	<a href="#">183040</a>	203,75 €
8	Connection to heater core	<a href="#">183840</a>	233,00 €	9	Clamp air duct	<a href="#">183034</a>	59,15 €
9	Clamp air duct	<a href="#">183834</a>	60,82 €	10	Rubbergrommet 7/15mm, air duct, hornwir	<a href="#">199009</a>	2,31 €
15	Heater box 190SL, Lt. (ABS)	<a href="#">183030</a>	487,29 €	16	RH metal air duct w flaps, black	<a href="#">183850</a>	302,50 €
17	Air duct hose to defrosters, Lgth 250mm	<a href="#">183837</a>	40,36 €	17	Air duct hose to defrosters, Lgth 250mm	<a href="#">183037</a>	119,12 €
18	Heater box seal to firewall, Lt.	<a href="#">183070</a>	19,69 €	19	Heater box seal to firewall, Rt.	<a href="#">183060</a>	14,66 €
20	Rubbergrommet, defrost tube	<a href="#">183109</a>	16,30 €	21	Blower motor, LH heater duct, two speed	<a href="#">183007</a>	1.508,00 €
21	Blower motor (two speed)	<a href="#">183807</a>	1.281,86 €	25	Heater core LH, overhauled, non-exchange-service	<a href="#">183817</a>	1.398,25 €
26	Wärmetauscher rechts, überholt	<a href="#">183818</a>	1.439,90 €	26	Kit housing covers heater RH (overhauled) heater core RH	<a href="#">183819</a>	240,33 €
26	Lever at heater core valve RH	<a href="#">183816</a>	17,85 €	26		<a href="#">183119</a>	2.184,00 €
26	right Heater core (in exchange!)	<a href="#">183019</a>	1.533,99 €	28	Rubberseal, heater core Lt.	<a href="#">183080</a>	14,02 €
29	lever only, heater core valve left side	<a href="#">183811</a>	17,85 €	29	key shim at square valve drive	<a href="#">183813</a>	13,48 €
29	Valve insert, eg heater core 190SL, LH or RH	<a href="#">183814</a>	24,99 €	29	Rep water valve unit, includes insert, reproduction	<a href="#">183815</a>	153,40 €
30	Sealing ring, heater valve	<a href="#">283022</a>	2,31 €	31	Water pipe,heater"return", adjust at car	<a href="#">183102</a>	110,31 €
31	see 483100 identical product	<a href="#">483100</a>	398,30 €	32	Water pipe, heater "feed", adjust at car	<a href="#">183101</a>	103,28 €
34	1m Water hose I/D 16mm	<a href="#">150019</a>	15,17 €	34	Hose clamp 23-31mm, worm thread style	<a href="#">750042</a>	1,65 €
34	Water hose, i/D 18mm per metre	<a href="#">250019</a>	19,10 €	35	Clamp, water pipe	<a href="#">183104</a>	14,35 €
36	Cable bracket	<a href="#">183083</a>	48,74 €	37	Clamp, heater pipes @ firewall	<a href="#">183106</a>	14,71 €
41	Chromed heater control esc. middle	<a href="#">183311</a>	125,30 €	43k	Heater lever, black plastic	<a href="#">183403</a>	30,50 €
43	Heater control lever, chrome	<a href="#">183401</a>	80,55 €	44	Wire, e.g. Heater valve LT	<a href="#">183033</a>	3,57 €
45	1m cable coil, outer	<a href="#">183072</a>	2,90 €	46	Heater cable clamp 190SL, 220,	<a href="#">183073</a>	4,33 €
48	Two hole grommet,heater & choke	<a href="#">130005</a>	3,05 €	49	Red insert for escutcheons	<a href="#">183302</a>	3,99 €

	cables						
50	Bushing, heat.lever escutcheon	<a href="#">183305</a>	3,49 €	51	Bushing, Rt. air duct	<a href="#">183052</a>	5,71 €
55	Control lever RH w.o. knobs	<a href="#">183061</a>	138,54 €	55	Control lever middle w.o. knobs	<a href="#">183056</a>	177,18 €

## 88.b Chrome and Trims

88.b Chrome and Trims



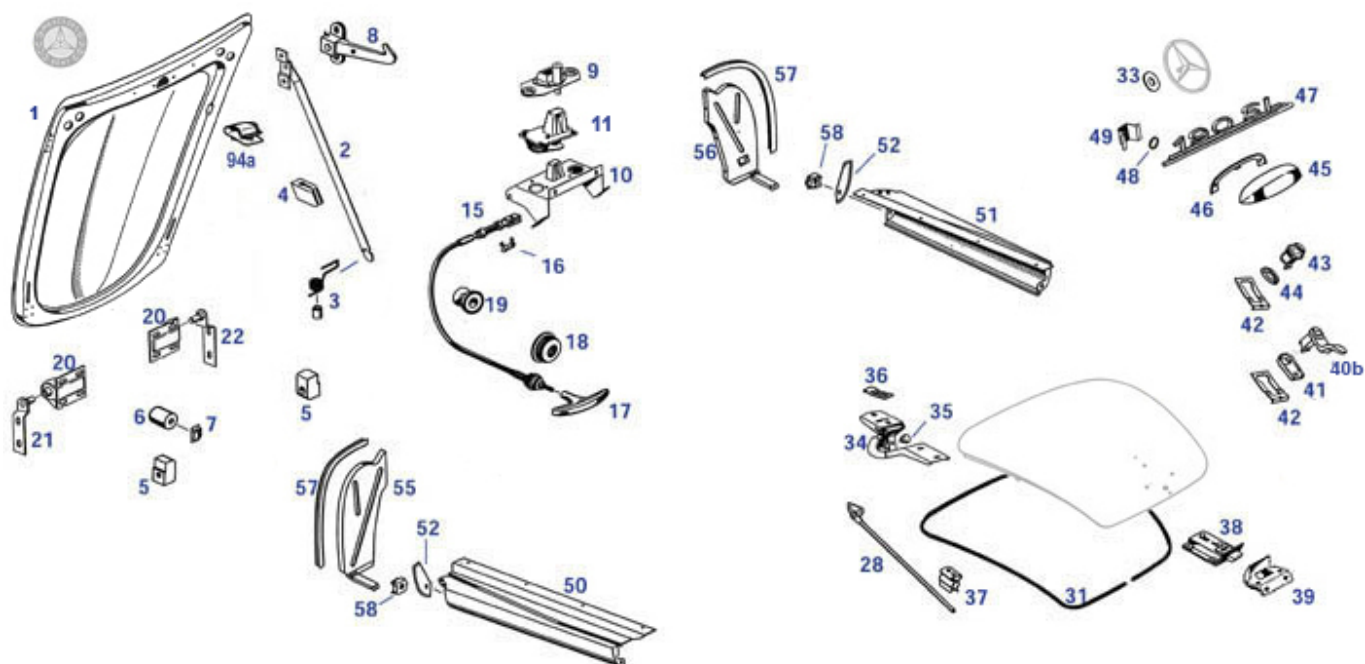
Starting from VIN .. 6501115, sill strips, stone pillars and gill strips were installed. According to spare parts literature, the small front ornamental horns from VIN ..6503050 was not in use anymore which was possibly associated with the wide standard of number plate (52cm in Germany). For re-import, the limited space can make a shorter number plate recommendable. With later transition of the big horns from "special request" to "series" the license plate lights are placed in (from FG ..7501450, supplementary parts to picture number 63 see assembly lighting). (For example, numbers 2, 3 and 85): optimal fit results can be achieved by matching the trim and planking before coating

	Set of chrome screws 419 pcs for bucket seat car see 189911	<a href="#">191112</a>	749,99 €		Eyebrow trim set, 2nd choice	<a href="#">169700</a>	529,55 €
2	Top surround, Repro unchromed	<a href="#">189011</a> <a href="#">188082</a>	8,29 € 246,98 €	2	mesh with frame, needs works Top surround, Repro chromed.	<a href="#">188988</a> <a href="#">188080</a>	196,35 € 1.074,99 €
3	Bottom surround, Repro unchromed	<a href="#">188083</a>	243,95 €	3	Bottom surround, Repro chromed	<a href="#">188081</a>	981,75 €
4	Grille wing Rt., repro unchromed	<a href="#">188068</a>	299,87 €	4	Grille wing Lt., repro unchromed	<a href="#">188067</a>	299,87 €
5	Shim, canister to surround	<a href="#">188072</a>	11,63 €	6	pan head tapping screw zinc plated 3,9 X 13	<a href="#">188889</a>	0,25 €
6	Clip nut	<a href="#">188073</a>	0,49 €	11	Radiator bug screen 190SL	<a href="#">188888</a>	305,69 €
15	Screw @ front grille	<a href="#">188071</a>	1,54 €	15	Screw @ front grille, hi gloss chromed	<a href="#">188171</a>	1,61 €
15	Set of chrome screws 395 pcs	<a href="#">191111</a>	789,99 €	16	Washer, chrome, high shape, fits up to 4mm screws	<a href="#">288013</a>	2,99 €
20	Bumper Lt. unchromed, front Repro.	<a href="#">188016</a>	722,50 €	20	Bumper front left chromed Repro	<a href="#">188001</a>	1.617,21 €
20	Bumper Rt. chromed, front Repro.	<a href="#">188002</a>	1.617,21 €	20	Bumper Rt. unchromed, front Repro.	<a href="#">188018</a>	722,50 €
21	Bumper center chromed, front Repro.	<a href="#">188003</a>	1.808,80 €	21	Bumper center unchromed, front Repro.	<a href="#">188017</a>	741,00 €

22	Spacer, front bumper, REPRO	<a href="#">188112</a>	19,99 €	23	Right Chrome bumperette	<a href="#">188020</a>	118,99 €
23	Chrome bumperette, Rt.	<a href="#">188820</a>	136,53 €	23	Left Chrome bumperette	<a href="#">188010</a>	118,99 €
23	Chrome bumperette, left	<a href="#">188810</a>	136,53 €	26	License plate, 52,50cm chromed	<a href="#">188090</a>	138,61 €
26	Licence plate underlay, stainless steel, inner width 46cm	<a href="#">988788</a>	29,75 €	27	Bumper brace, front center, B-Quality	<a href="#">188813</a>	375,94 €
27	hex nut M10 (hex17), hot zined	<a href="#">199148</a>	0,57 €	28	Bumper brace, Rt. overhauled, see pict	<a href="#">188280</a>	263,53 €
28	Bumper brace, RH, shape see pictures	<a href="#">188200</a>	208,90 €	28	Bumper brace, Lt. overhauled, see pict	<a href="#">188180</a>	263,53 €
28	Bumper brace, frt. LH, shape see pictures	<a href="#">188100</a>	208,90 €	29	Grommet, bumper arm	<a href="#">188597</a>	9,94 €
29frt	Grommet, bumper arm (oval)	<a href="#">188596</a>	10,09 €	30	Locking ring M10	<a href="#">299328</a>	0,38 €
30	Washer 2mm, thick, exh-manif, bumpers .	<a href="#">214008</a>	0,56 €	30	Square nut,M10	<a href="#">188012</a>	0,58 €
30	Bolt M10x30 e.g. rear axle mount	<a href="#">235318</a>	1,02 €	36	1m rubberprofile, license plate / body	<a href="#">188093</a>	11,65 €
40	Bumper Rt. chromed, rear Repro.	<a href="#">188004</a>	1.617,21 €	40	cheese head screw zinc plated M8 X 20	<a href="#">188886</a>	0,69 €
40	Bumper, rear left, chromed, Repro.	<a href="#">188005</a>	1.466,08 €	40	Bumper Lt. unchromed, rear Repro.	<a href="#">188007</a>	624,99 €
40	Bumper Rt. unchromed, rear Repro.	<a href="#">188009</a>	624,99 €	41	Bumper center unchromed, rear Repro.	<a href="#">188008</a>	617,00 €
41	Bumper center chromed, raer Repro.	<a href="#">188006</a>	1.617,21 €	42	Bumper joint cover, rear left side	<a href="#">188110</a>	57,72 €
42	Bumper joint cover, Rt.	<a href="#">188120</a>	57,72 €	43	Joint cover underlay, rear bumper	<a href="#">188311</a>	6,39 €
47	Hollow screw rr lic-plate support late	<a href="#">188099</a>	5,99 €	48	Washer, No./Licence plate	<a href="#">188098</a>	2,82 €
49	Metal cup 7501451>	<a href="#">188097</a>	1,40 €	50	Screw, bumper bracket	<a href="#">288116</a>	0,76 €
50	bumper arm rear, RT.	<a href="#">188814</a>	276,70 €	50	Bumper arm rear, Lt.	<a href="#">188815</a>	276,70 €
50	Bumper arm rear, Rt.	<a href="#">188014</a>	250,96 €	50	Bumper arm rear, Lt.	<a href="#">188015</a>	208,90 €
60	Bumper guard, front Lt. unchromed	<a href="#">188034</a>	242,75 €	60	Bumper guard, front Rt. unchromed	<a href="#">188045</a>	242,75 €
61	Profile, bumperette, grey	<a href="#">189911</a>	9,21 €	61	1 m rubber profile, black	<a href="#">189811</a>	9,21 €
62	Bumper guard, rear Rt. unchromed early	<a href="#">188087</a>	224,55 €	62	Bumper guard, rear Lt. unchromed early	<a href="#">188076</a>	224,55 €
63	bumper guard, rear Lt. unchromed late	<a href="#">188079</a>	246,33 €	63	Bumper guard, rear Rt. unchromed late	<a href="#">188086</a>	246,33 €
80	Screw, R/C107, R113	<a href="#">272724</a>	0,51 €	80	Eyebrow trim frt RH	<a href="#">169820</a>	291,95 €
80	Eyebrow trim front left	<a href="#">169710</a>	128,70 €	80	lens head screw chromed, 2,9x6,5, DIN 7981	<a href="#">169007</a>	1,07 €
80	Eyebrow trim front left	<a href="#">169810</a>	291,95 €	80	Eyebrow trim frt RH	<a href="#">169720</a>	122,57 €
81	Eyebrow trim, rear left	<a href="#">169730</a>	122,57 €	81	Eyebrow trim rr RH	<a href="#">169840</a>	291,95 €
81	Eyebrow trim rr RH	<a href="#">169740</a>	122,57 €	81	Eyebrow trim, rear left	<a href="#">169830</a>	291,95 €
82	Alloy trim lower, LH	<a href="#">169850</a>	297,62 €	82	Alloy trim, lower, RH	<a href="#">169960</a>	269,29 €
82	Alloy trim lower, LH	<a href="#">169950</a>	269,29 €	82	Alloy trim, lower, RH	<a href="#">169860</a>	297,62 €
83	Bolt short, lower trims, 14 x req	<a href="#">169066</a>	3,39 €	84	Bolt "long" f.lower trims, 4x req	<a href="#">169867</a>	2,75 €
85	Ctr sunk screw @ 272033/044/300/400	<a href="#">272034</a>	1,44 €	85	Stone guard Lt., unchromed repro.	<a href="#">169054</a>	234,00 €
85	Stone guard Rt., unchromed repro.	<a href="#">169064</a>	234,00 €	85	Stone guard Rt., chromed repro.	<a href="#">169063</a>	227,29 €
85	Stone guard Lt., chromed repro.	<a href="#">169053</a>	227,29 €	86	1m rubber profile e.g. prot.	<a href="#">169056</a>	2,99 €

## 88.a Bonnet, bootlid & cover panels

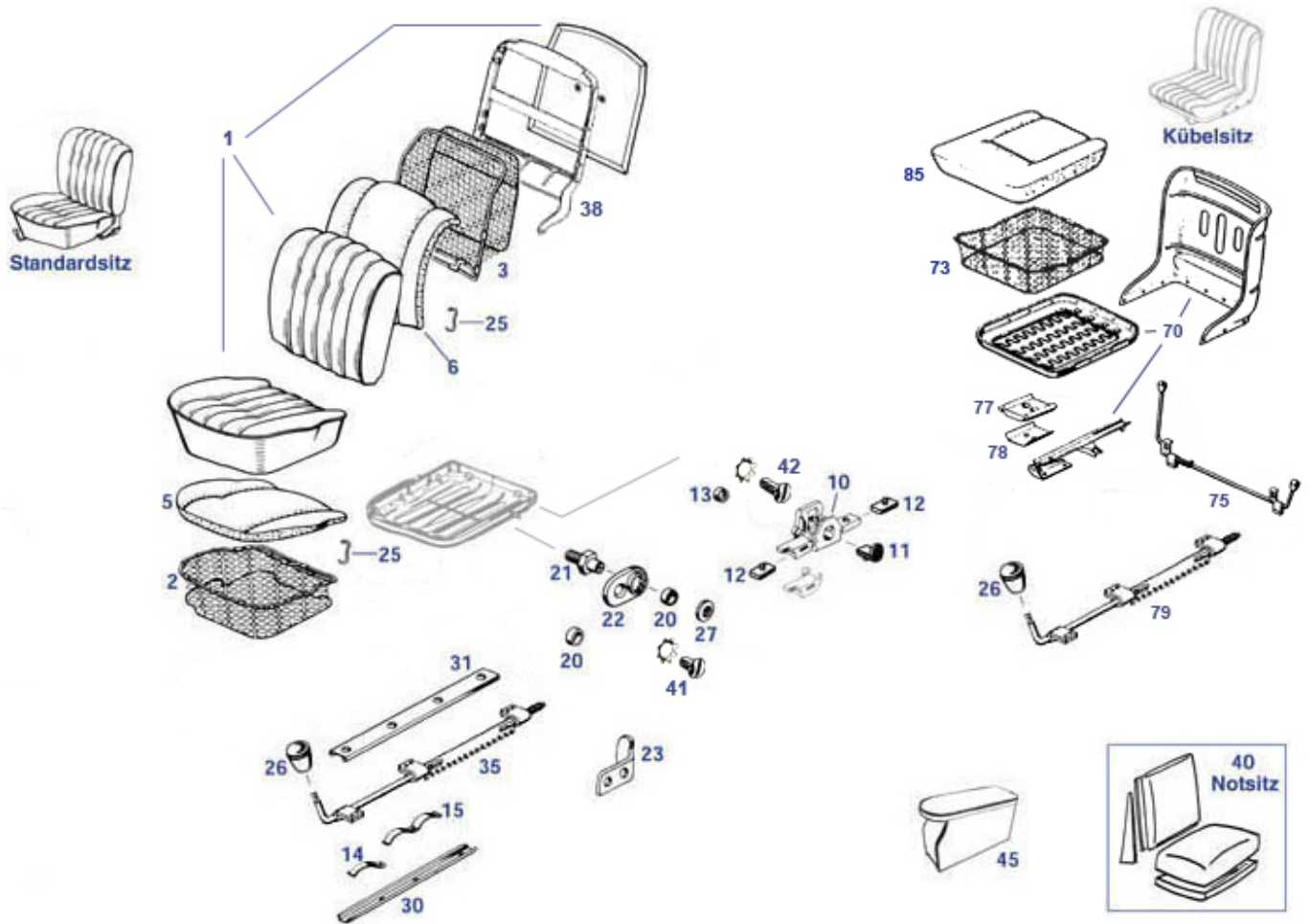
88.a Bonnet, bootlid & cover panels



	clip, e.g. wire fixture 190SL, R113, <a href="#">254874</a>	1,50 €		Clip, see picture, Pls follow recommendation 254874	<a href="#">254774</a>	0,60 €	
	16 m sealing compound strip 3mm black	<a href="#">699996</a>	10,59 €	1	pick-up-price: reproduced bonnet 190SL	<a href="#">188500</a>	1.785,00 €
1	Used hood, if available	<a href="#">188501</a>	2.320,50 €	2	Hood support	<a href="#">188745</a>	94,00 €
3	Bonnet stilt rack	<a href="#">188747</a>	35,16 €	3	Hood support spring kit	<a href="#">188746</a>	48,02 €
4	Hood support retaining rubber	<a href="#">188618</a>	11,34 €	5	Hood alignment buffer, black	<a href="#">188600</a>	6,70 €
5	Hood alignment buffer, grey	<a href="#">188601</a>	8,93 €	6	Hood buffer	<a href="#">188620</a>	3,72 €
7	Clip nut	<a href="#">188073</a>	0,49 €	8	Hood safety hook	<a href="#">188711</a>	89,90 €
9	Hood lock, upper	<a href="#">188735</a>	684,67 €	10	Bonnet lock w.console, lower	<a href="#">188042</a>	959,90 €
11	Lower part bonnet lock (catcher pin)	<a href="#">188043</a>	376,28 €	15	Hood release cable, without handle	<a href="#">188021</a>	59,50 €
17	Alu handle, hood release	<a href="#">188019</a>	78,00 €	19	Rbr grommet ../24,2 hole, revcables, oil/temp-pipe	<a href="#">299009</a>	3,61 €
20	Hinge, hood part, Lt or Rt	<a href="#">188700</a>	41,45 €	21	Hinge, support at body Lt.	<a href="#">188710</a>	141,60 €
22	Hinge, support at body Rt.	<a href="#">188720</a>	141,60 €	28	Trunk hood opener strut	<a href="#">175028</a>	113,36 €
30	Trunk lid	<a href="#">175000</a>	1.044,33 €	33	Rubber washer	<a href="#">175012</a>	1,11 €
34	Hinge	<a href="#">175009</a>	505,75 €	34	washer, 6,4 e.g. boot hinge	<a href="#">175005</a>	0,36 €
36	Clip nut, trunk hood	<a href="#">175015</a>	19,75 €	38	Satz Heckschloss mit Falle	<a href="#">175890</a>	409,90 €
38	Lock mechanism	<a href="#">175090</a>	349,99 €	39	Striker for boot lock	<a href="#">175080</a>	156,00 €
40b	Lock cyl. set 4 pcs, 1 key, 190SL Gen.2	<a href="#">172928</a>	833,00 €	40b	Trunk lock early	<a href="#">175875</a>	102,34 €
41	Rubber Underlay, 'hook'-lock	<a href="#">175002</a>	7,66 €	42	Locking Plate for trunk lock	<a href="#">175086</a>	19,87 €
43	Lock cyl.set. 4 pce, 1 key, 190SL Gen.4	<a href="#">172929</a>	865,00 €	43	Lock button with key 60 to 63	<a href="#">175030</a>	74,96 €
44	Underlay for button lock	<a href="#">175088</a>	4,07 €	45	Trunk handle, 1960 to 1963, Pontoon+SL	<a href="#">175001</a>	153,99 €
45	Trunk handle, 1960 to 1963	<a href="#">175801</a>	101,39 €	46	Underlay rubber, handle from ...	<a href="#">175811</a>	11,70 €
47	Type designation 190SL Repro, @ boot lid	<a href="#">181840</a>	66,46 €	48	Seal ring @ type designation	<a href="#">181041</a>	1,64 €
49	Mounting Bracket	<a href="#">181042</a>	10,19 €	49	Bolt M3 for sign	<a href="#">181043</a>	0,13 €
50	Rocker panel, Lt. Repro	<a href="#">183010</a>	179,99 €	50	3mtr flat profile Terostat IV, 20 x 2 mm	<a href="#">199995</a>	19,93 €
50	panelling screw, phillips, chromed	<a href="#">268133</a>	1,32 €	51	Rocker panel, Rt. Repro	<a href="#">183020</a>	179,99 €
52	Rocker panel spacer shim 190SL	<a href="#">183022</a>	10,28 €	55	Clamping Bolt M6 for square bodypanel holes	<a href="#">188036</a>	7,90 €
55	bracket, mud guard, Lt. or Rt.	<a href="#">188039</a>	7,25 €	55	Splash guard 190SL, Lt.	<a href="#">188030</a>	106,99 €
56	Splash guard 190SL, Rt.	<a href="#">188040</a>	106,99 €	58	Cage nut M6, no locking	<a href="#">188835</a>	1,90 €

# 91 Seats

91 Seats



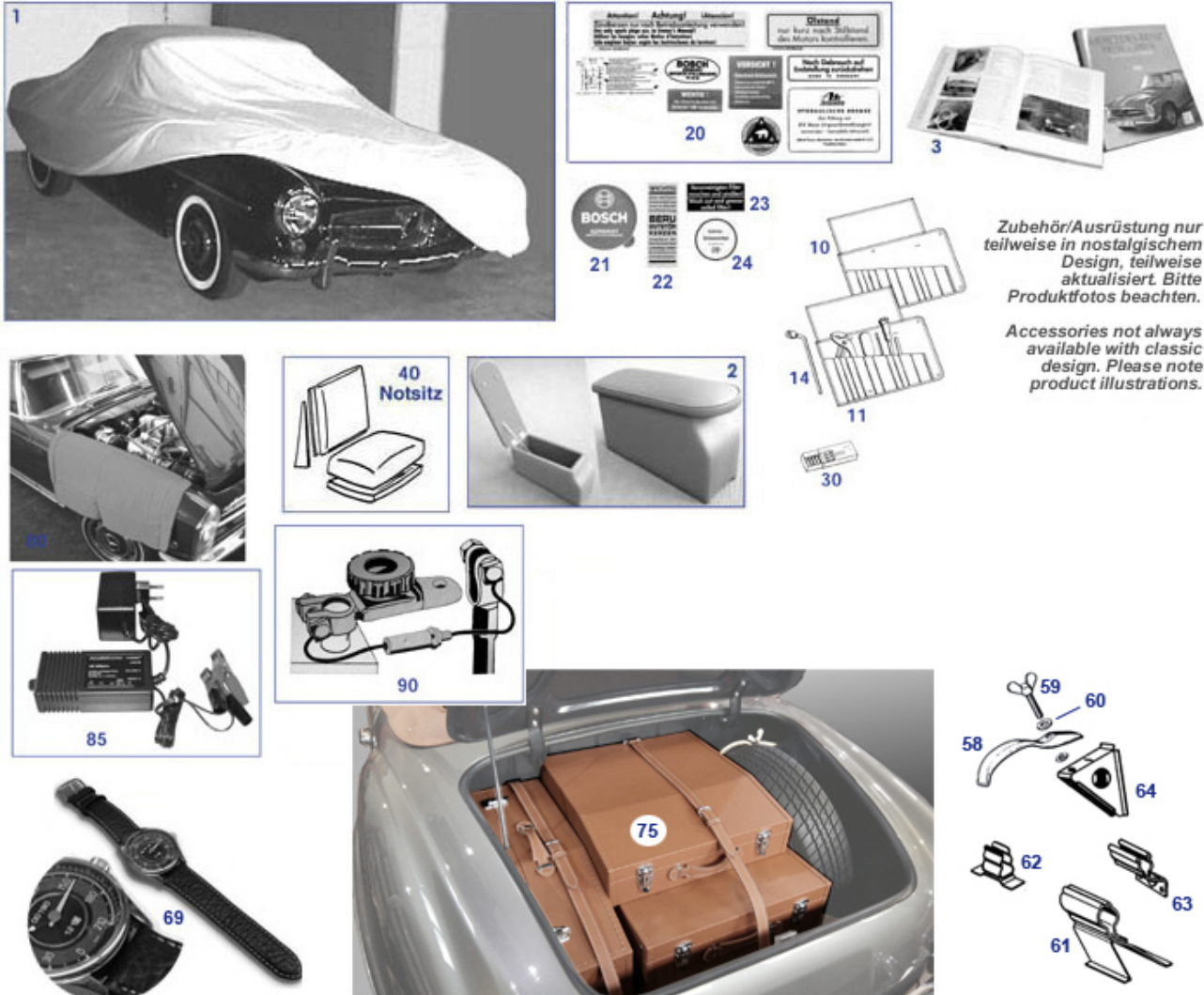
1	Seat cover, leather. Rt.57->	<a href="#">193121</a>	654,50 €	1	Seat cover, leather. Rt.->56 black	<a href="#">193120</a>	654,50 €
1	Seat cover, leather. Lt.57->	<a href="#">193111</a>	654,50 €	1	Seat cover, leather. Lt.->56 black	<a href="#">193110</a>	654,50 €
2	Seat springs Rt. modif.low/hard	<a href="#">191221</a>	269,00 €	2	Seat springs Lt. repro std.(D)	<a href="#">191610</a>	205,87 €
2	Seat springs Lt. repro std.(D)	<a href="#">191210</a>	269,00 €	2	Seat springs left modif.low/hard	<a href="#">191211</a>	249,00 €
2	Seat springs Rt. repro std.(D)	<a href="#">191620</a>	205,87 €	2	Seat springs Rt. repro std.(D)	<a href="#">191220</a>	269,00 €
3	Seat springs back Lt. repro	<a href="#">191232</a>	229,40 €	3	Seat springs back Rt. repro	<a href="#">191240</a>	255,01 €
3	Seat springs back Lt. repro	<a href="#">191230</a>	255,01 €	3	Seat springs back Rt. repro	<a href="#">191242</a>	205,87 €
5	Left Seat Pad 'rubber hair'	<a href="#">191150</a>	185,00 €	5	Right Seat Pad 'rubber hair'	<a href="#">191160</a>	185,00 €
6	Seat pad B.rest 'rubber hair' Rt.	<a href="#">191180</a>	165,40 €	6	Seat pad B.rest 'rubber hair' Lt.	<a href="#">191170</a>	165,40 €
10	Support, RH assy (not in set by car)	<a href="#">191865</a>	165,47 €	10	Seat back adjuster, Rt.	<a href="#">191065</a>	172,63 €
10	Seat back adjuster, Lt.	<a href="#">191060</a>	172,63 €	10	Set 4 pcs chrome seat adjust supp.,Repr	<a href="#">191165</a>	809,90 €
10	Support, LH assy (not in set by car)	<a href="#">191860</a>	199,75 €	11	Rubber plug at adjuster	<a href="#">191840</a>	7,22 €
11	Rubber plug at adjuster	<a href="#">191040</a>	12,74 €	12	A1809190096 Rubber pad	<a href="#">191050</a>	3,37 €
12	square rubber buffer, seat adj.link	<a href="#">191850</a>	3,61 €	13	Metal ring at seat (one side taper sunk)	<a href="#">191055</a>	9,06 €
14	Leaf spring for front run	<a href="#">191011</a>	31,19 €	15	Leaf spring for rear run	<a href="#">191012</a>	36,71 €
15	Leaf spring for 'Bucket seat'	<a href="#">191013</a>	38,08 €	20	Spacer tube, seat frame	<a href="#">191014</a>	6,37 €
21	Bolt at seat frame, no hex head	<a href="#">191705</a>	13,61 €	21	Bolt at seat frame, hex head 19	<a href="#">191715</a>	41,54 €
21	Bolt at seat frame	<a href="#">191015</a>	41,54 €	23	Seat catch Lt.	<a href="#">191019</a>	36,90 €
23	Seat catch Rt.	<a href="#">191018</a>	36,88 €	26	Knob for seat adjuster	<a href="#">191030</a>	22,87 €
27	S-Steel bolt M6 x 16	<a href="#">191717</a>	17,01 €	27	Chrome sunk washer at seat hinge	<a href="#">191016</a>	20,88 €
27	Sunk washer at seat hinge, stainless steel	<a href="#">191716</a>	18,56 €	27	Chrome bolt M6 x 16	<a href="#">191017</a>	23,67 €
30	Seat slide rail	<a href="#">191075</a>	77,95 €	31	Guide rail, inner	<a href="#">191070</a>	103,15 €
31	Guide rail, outer	<a href="#">191080</a>	103,99 €	35	Seat slide arrester, right standard-seat (near tunnel)	<a href="#">191280</a>	164,79 €
35	Seat slide arrester, left standard-seat (near tunnel)	<a href="#">191270</a>	164,79 €	38	backrest frame, standard seat L / R 190SL	<a href="#">191810</a>	729,99 €

38	backrest frame, standard seat L / R <a href="#">191710</a> 190SL	595,00 €	40	Rear seat assy w.o. upholstery	<a href="#">168375</a>	726,96 €
40	Jump seat cover, leather black <a href="#">193190</a>	425,43 €	40	Montagehütchen Notsitz	<a href="#">168879</a>	39,66 €
41	Chromed countersunk screw M10 x <a href="#">191021</a> 20 DIN 91	10,46 €	41	S-Steel countersunk screw M10 x <a href="#">191721</a> 20 DIN 91		9,78 €
42	Chromed countersunk screw M10 x <a href="#">191022</a> 25 DIN 91	10,46 €	45	Box w. armrest, leather colored	<a href="#">184801</a>	619,99 €
45	Box w. armrest, leather black <a href="#">184800</a>	599,99 €	70	Set bucket seat skeletons, Repro	<a href="#">191190</a>	4.199,00 €
70	rubber buffer for bucket seat <a href="#">191191</a>	33,32 €	70	Seat springs "bucket-seats" W121 + 300SL	<a href="#">191215</a>	319,99 €
75	Locking lever, bucket seat LH <a href="#">191251</a>	333,33 €	75	Locking lever, bucket seat RH	<a href="#">191252</a>	333,33 €
78	metal plate @ bucketseatrubber <a href="#">191192</a>	27,96 €	79	Seat slide arrester fits bucket style LH seat RH mounted	<a href="#">191279</a>	146,26 €
79	Seat slide arrester fits bucket style RH seat LH mounted <a href="#">191269</a>	146,26 €	85	Seat pad LH, bucket seat	<a href="#">191151</a>	290,00 €



# 97 Accessories

97 Accessories



Zubehör/Ausrüstung nur teilweise in nostalgischem Design, teilweise aktualisiert. Bitte Produktfotos beachten.

Accessories not always available with classic design. Please note product illustrations.

	Speaker box 190SL, wood, leather, color customized	<a href="#">168018</a>	519,99 €		Wind mesh "Weyer" adaptable to 190SL	<a href="#">186807</a>	333,08 €
	Set of chrome screws 419 pcs for bucket seat car	<a href="#">191112</a>	749,99 €		Set of chrome screws 395 pcs	<a href="#">191111</a>	789,99 €
	Wheel clamp, anti-theft "Nemesis"	<a href="#">940902</a>	261,80 €		Wheel clamp, anti-theft	<a href="#">940901</a>	53,55 €
	1 pair of tire protection underlay pads	<a href="#">940900</a>	52,00 €	1	Indoor Car Cover Premium, "L", grey	<a href="#">299909</a>	89,86 €
1	Car cover "FirstClass", Sport large blue	<a href="#">799800</a>	153,51 €	1	Car cover, 190 SL outdoor	<a href="#">199906</a>	189,92 €
1	Car cover 190 SL	<a href="#">199905</a>	188,50 €	2	Box w. armrest, leather black	<a href="#">184800</a>	599,99 €
2	Box w. armrest, leather colored	<a href="#">184801</a>	619,99 €	2	Speaker box 190SL 40W, metal housing	<a href="#">168016</a>	478,48 €
2	Speaker box 190SL, wood, leather, black	<a href="#">168017</a>	519,99 €	2	Set 3pieces, suitcases, leather, fits 190SL	<a href="#">199580</a>	3.299,99 €
3	Book Rep manual, german "Bucheli" 190SL	<a href="#">111303</a>	47,48 €	3	Book: Glens MB Repair & Tune Up Guide	<a href="#">111301</a>	29,75 €
3	Book(german) MB190SL,230-280SL	<a href="#">211300</a>	59,38 €	11	Staubfrei Handfeger Cotton, 35cm	<a href="#">999915</a>	49,99 €
14	Wheel nut wrench, orig, latest version	<a href="#">259101</a>	23,50 €	20	Set: 10 labels engine compartment	<a href="#">179030</a>	30,64 €
21	Bosch label f. battery	<a href="#">154084</a>	9,40 €	22	Label: Beru spark plugs	<a href="#">179029</a>	4,76 €
23	Label: air filter box (D)	<a href="#">179028</a>	4,76 €	24	Sticker "Antisilin", if early washerbag	<a href="#">186707</a>	6,96 €
24	Label: 'Gefrierschutzmittel'(D)	<a href="#">179027</a>	4,76 €	30	25Amp fuse, short version, NOS	<a href="#">258991</a>	5,69 €
40	Jump seat cover, leather black	<a href="#">193190</a>	425,43 €	40	Rear seat assy w.o. upholstery	<a href="#">168375</a>	726,96 €
58	Tire jack holder 190SL	<a href="#">358040</a>	131,69 €	58	Tire jack holder 190SL	<a href="#">158040</a>	179,50 €

59	Wing screw 230SL FN	<a href="#">240006</a>	42,53 €	60	A3269900740 Washer, wing screw	<a href="#">240009</a>	16,54 €
60	Washer 13mm e.g. prop shaft disc bolts	<a href="#">741122</a>	0,50 €	61	Tire jack holder 190SL	<a href="#">164043</a>	130,00 €
62	Lug wrench holder	<a href="#">164041</a>	15,33 €	63	Jack/tool support	<a href="#">164054</a>	126,00 €
64	Support, Tire holder @ inner wheelarch	<a href="#">164058</a>	91,40 €	69	watch "speedometer-face-design" 190SL	<a href="#">199996</a>	169,99 €
69	Armbanduhr "Tacho-Design" Strich-Acht	<a href="#">599996</a>	169,99 €	80	1 pce Wing prot.cover, cotton, magnet	<a href="#">999922</a>	37,00 €
81	Antenna, manual, red knob	<a href="#">299967</a>	101,95 €	85	professional battery charger 10A	<a href="#">954090</a>	267,75 €

