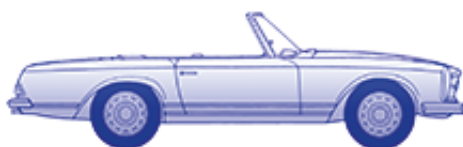


## Mercedes 230 - 280SL (W113)



SLS Import- und Export Handelsgesellschaft mbH

## Content

<b>03 Engine M127 M129 M130</b>	5
01 Crankshaft Housing	5
03.a Crankshaft and Pistons	6
03.b Info Pistons 230-280SL (R113)	7
03.c Info Piston Ring Enquiry	8
05.a Cyl.Head, Camshaft, Valves	9
05.b Zyl.Kopfschrauben Info	11
05.c Timing Chain	12
<b>07 Mech.Injection, Air Intake, ...</b>	14
07.a Injection System	14
07.b Injection Pump	15
09 Air-Intake and Aircleaner	15
<b>15 Electrical Equipment at Engine</b>	18
15.a ignition	18
15.c Starter and Generator	19
15.e Electronic Ignition System, "1-2-3"-Retrofit	20
15.e Electronic Ignition System, "1-2-3"-Retrofit	21
07.c electric engine control	21
15.i Info Spark Plugs	22
<b>18 Engine Lubrication</b>	24
<b>22 Enginemounts</b>	25
<b>25, 26 Clutch + 4-Speed-Box</b>	26
25.a Clutch (manual), mechanic/hydraulic components	26
26.a Gearbox (manual)	27
26.b Gearlever Linkage	28
29.i Info Veränderung der Hydraulikteile	29
<b>27 Automatic Gearbox</b>	30
27.a Automatic Gearbox	30
27.b Automatic: Linkage and Connecting Parts	31
25.c Hydr. Clutch	32
27.i Info Belagzustand	32
<b>30 Acc Linkage</b>	33
<b>32, 33 Front suspension</b>	34
33.a Front Axle	34
33.c separate items control arm bearing	35
32 Info Bilstein Shock Absorbers	36
<b>35, 40, 41 Rear Suspension, Wheels, Propeller Shaft</b>	38
35.a Rear Suspension	38
40 Wheels and Propeller Shaft	40
35.b Info Axle Ratio	41
35.c Info Axle Bearing rear	42
<b>42 Brakes</b>	44
42.a Brake (Wheels)	44
42.b Girling brake-caliper	45
43 Mastercylinder	46
42.c Brakepipes	47
42.d Handbrake	48
<b>46 Steering</b>	49
46.a Steering, Linkage	49
46.b Steering Column up to 07.67	49
46.c Steerg. column from 07.67	50
46.d Steering Gearbox, Fluid Pump	51
46.e Special Steering Wheels	53
<b>47 Fuel Tank</b>	54

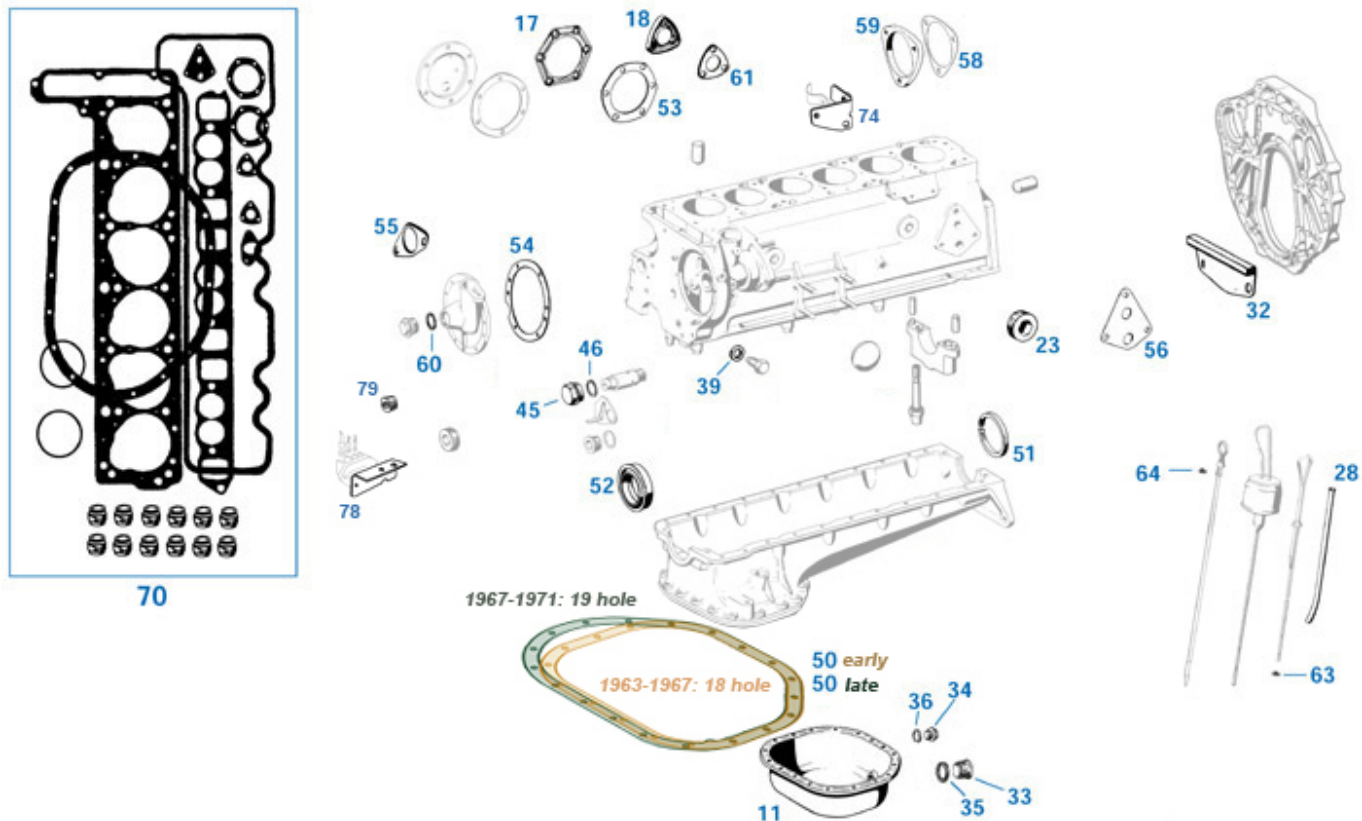
<b>49 Exhaust Systems</b>	56
49.a Exhaust System, standard	56
49.b Stainless Steel Exhaust 230SL 250SL 280SL	57
<b>50 Cooling System</b>	58
50.a Cooling System 230SL	58
50.b Cooling System 250SL	59
50.c Cooling System 280SL	60
<b>54 Electrical Equipment at Body</b>	63
54.a Instruments	63
54.b Main wiring harness	64
54.c Equipment for Cable Harness	65
54.d Rubber Grommets	67
54.i Info Battery Dimensions	68
<b>62 Body, Frame &amp; Panelling</b>	70
61 Floor Panels 230SL 250SL 280SL	70
61.a Info frame rail parts	71
62 Body, front	72
64 Panelling	73
<b>67 Windscreen 230SL 250SL 280SL</b>	76
<b>68 Covering, insulation, wood</b>	77
68.a Dashboard coverings	77
68.b Mats, Noise Reduction	78
68.c Rockerpanel and trim	79
68.d Covering under dashboard	80
68.e Floor mats, info and attached parts	81
<b>72 Door</b>	83
72.a Door	83
72.c Door Window	84
72.d Info window crank handle	85
72.b Info Door Catch	86
89 Locking System	87
<b>75, 88 Trunk, Softtop-Box, Bonnets/Lids</b>	89
88 Engine Bonnet and Grille Garnish	89
75.c Softtop Box	90
75.6 Boot Lid and Trunk Equipment	91
<b>77, 79 Softtop &amp; Hardtop</b>	94
77.a, Softtop frame and equipment	94
77.b, Softtop/Verdeck Stoffbezug	95
79 Hardtop	96
77.c, 86.b Wind protector	98
77.d, 86.c Info MB/Oris wind protector	98
79.b Hardtop Storage	99
<b>81 Mirrors, Sunvisors, Int/Ext Eqmt.</b>	101
<b>82 Lighting and Wiper</b>	103
82.a Lighting Units, standard	103
82.b compatible parts fitting Bosch-Bilux	104
82.c Lighting Units USA, additional Lamps	105
82.d Windscreen wipe/wash	106
82.r Headlamps, Reproduction Overview	107
82.i Info Headlight Halogen or Bilux	107
82.i Info Rückleuchten	108
<b>83 Heater System</b>	110
<b>88.b Chrome Parts, Outer Body</b>	112
<b>91 Seats</b>	114
<b>99.a Accessories</b>	116

Jacobsrade 27 · D-22962 Siek  
Tel. +49(0)40 656 939-0 · Fax +49(0)40 656 939-399  
I-net: [www.sls-hh.de](http://www.sls-hh.de) · e-mail: [service@sls-hh.de](mailto:service@sls-hh.de)

## 03 Engine M127 M129 M130

### 01 Crankshaft Housing

01 Crankshaft Housing



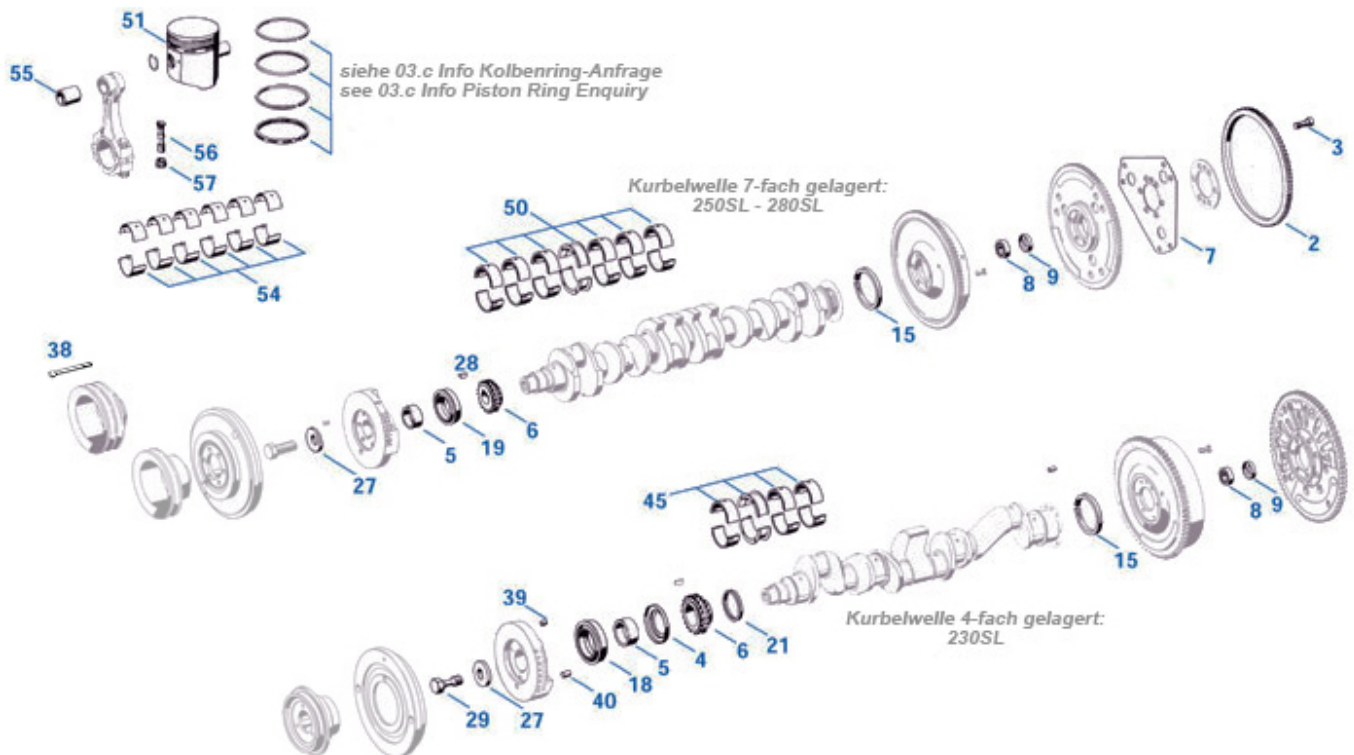
Fastest distinguishing feature for removed engines from non-SL: missing rev counter drive, saloon engine arms. Unfortunately, a list of assignments of the cast fuselage blank part numbers to later engine numbers is not available. The original SL condition includes this type arrangement: 230SL = 113.042 = engine M127.981, detection: 4-way crankshaft bearing, 6-piston injection pump (deviating from M127-220SEb two-piston); 250SL = 113.043 = M129.982 engine, detection: 7-way crankshaft bearing, pistons 82.00 to 83.00, oil-water heat exchanger; 280SL = 113.044 = engine M130.983, detection: pistons 86.50 to 87.50 Both sedan engines and replacement engines can be found in large numbers, including engines without a sticker. The catalogue pages 03.b (assignment of pistons) and 05+05.a (identification and assignment of the head gasket) serve as an aid in the event of an uncertain engine ID. Further changes (e.g. oil pan enlargement shown) took place in the current series (and/or as a result of replacements), so a prior review is advisable.

	Cylinder head gasket 280SL/SE late, brand REINZ-GLASER	<a href="#">201722</a>	107,99 €		Hollow screw e.g.M127 breather banjo	<a href="#">309898</a>	25,13 €
	Seal ring, fits plastic oil filler caps, 47 x 59 x 2,5	<a href="#">701356</a>	2,24 €		Valve spring, Outer	<a href="#">105811</a>	11,50 €
10	Seal, oil filler cap	<a href="#">701355</a>	2,25 €		Washer, M12 cylinder head bolt	<a href="#">101822</a>	2,86 €
	Washer 8,4mm, standard, yellow zined	<a href="#">299326</a>	0,11 €	10	Bolt 6x16 e.g. pan, in-hex	<a href="#">701319</a>	0,48 €
11	Lower pan, oil pan, 280SL replaced style	<a href="#">201214</a>	48,79 €	17	Cylinder block cover, 6-hole	<a href="#">201026</a>	12,50 €
17	Bolt M6 x 12 in-hex	<a href="#">299043</a>	0,36 €	18	Sealing plate , 3 hole, 280SL	<a href="#">201027</a>	4,75 €
23	Hexagon socket pipe plugs with taper fine pitch thread M30X1,5	<a href="#">201005</a>	4,88 €	23	A1272000456 Fitting, oil heat exchanger	<a href="#">201006</a>	42,84 €
28	Dipstick pipe from 09.'68, to 218117	<a href="#">218114</a>	28,43 €	31	Dipstick,280SL late, Repro, poor paint	<a href="#">218117</a>	29,93 €
32	Cover plate eng-to-autm flange early	<a href="#">225058</a>	95,72 €	32	Plate , cover, gearbox case	<a href="#">225056</a>	33,97 €
33	Gasket,water valve cover, 6-hole	<a href="#">201029</a>	2,31 €	33	Sump plug, version inhex	<a href="#">299300</a>	4,70 €
34	Plug screw oil sump M12 (fits replaced pan)	<a href="#">299312</a>	2,25 €	34	Plug screw oil sump M12 (fits replaced pan)	<a href="#">299302</a>	1,88 €
35	Sealing ring fits lage sump drain plug (M26)	<a href="#">299301</a>	1,27 €	35	Gasket, thermostate	<a href="#">120011</a>	2,02 €
35	Gasket, housing to engine	<a href="#">220014</a>	1,25 €	36	Seal ring, sump plug	<a href="#">299303</a>	0,33 €
37	parallel pin, tolerance zone m6, 10 X 14	<a href="#">101190</a>	1,34 €	39	alu seal ring M12, eg.eng.block @ chain	<a href="#">298712</a>	0,80 €
40	sealing ring, aluminium 30mm	<a href="#">215032</a>	0,81 €	45	Plug screw M18 e.g. pressure valve	<a href="#">218815</a>	15,66 €

45	Plug screw M24 e.g. pressure valve	<a href="#">218816</a>	29,75 €	46	Seal Ring   gear box drain plug	<a href="#">226047</a>	0,54 €
50early	Sump gasket early (=18-hole), brand DPH	<a href="#">201800</a>	12,20 €	50early	Sump gasket early (=18-hole), brand Elring	<a href="#">201000</a>	24,00 €
50late	Sump gasket late (=19-hole), 280,..., Elring	<a href="#">201001</a>	25,05 €	50late	Sump gasket late (=19-hole), 280,..., DPH	<a href="#">201801</a>	16,61 €
51	Rear oil seal, 8 mm, from ca. 05.'61	<a href="#">205046</a>	8,71 €	52	Oilseal, C/S frt., no collar	<a href="#">203046</a>	20,38 €
52	C/S seal ring frt 6-cyl, collar 180°	<a href="#">203946</a>	25,29 €	52	Seal ring C/S frt M127 early, slim shape	<a href="#">303046</a>	12,20 €
52	C/S frt seal ring, collar 360°,M127+others, picture	<a href="#">303946</a>	17,85 €	54	Gasket, front engine cover	<a href="#">215724</a>	4,02 €
54	Gasket, front engine cover	<a href="#">215824</a>	6,13 €	56	Gasket, upr.filter hsg./engine	<a href="#">118008</a>	1,69 €
58	Gasket, injectuon pump->engine	<a href="#">207835</a>	1,15 €	61	small cover gasket	<a href="#">201828</a>	0,99 €
61	Gasket, water cover M130 and M110, 3-hole	<a href="#">201028</a>	1,40 €	64	O-ring, dip stick late (plastic handle)	<a href="#">218119</a>	0,62 €
70	Set gasket rings	<a href="#">201199</a>	18,78 €	70	Cylinder head gasket 280SL, late M130.983-10 from engine number	<a href="#">201622</a>	164,47 €
74	bracket, oil pipe, M130	<a href="#">218288</a>	30,58 €	74	bracket, oil pipe M130 near pump flange	<a href="#">218286</a>	30,58 €
78	bracket, wire terminal at oil pan	<a href="#">215154</a>	30,58 €	78	Rubber grommet 11/30, blue silicon rubber	<a href="#">299517</a>	1,59 €

## 03.a Crankshaft and Pistons

### 03.a Crankshaft and Pistons



A130030112001	Con rod 280SL/S/SE	<a href="#">203013</a>	213,27 €	see 203091	<a href="#">203089</a>	69,39 €	
	Rings per piston, Mahle 82V33+, 4rings	<a href="#">203001</a>	62,89 €	Piston ring set 82,50 mm, Mahle 3 ring	<a href="#">203003</a>	239,79 €	
2	Ring gear, starter, all M127,129,130	<a href="#">203200</a>	86,28 €	3	Flywheel stretch bolt	<a href="#">103029</a>	9,98 €
3	Bolt, flywheel, man.250-280   M12x20	<a href="#">203029</a>	26,86 €	3	Bolt, flywheel Autm. 129-130, 127FN	<a href="#">203027</a>	42,19 €
4	Oil reject ring	<a href="#">103012</a>	7,79 €	5	Ring, spacer, 230-280SL	<a href="#">203045</a>	31,00 €
6	Crankshaft sprocket	<a href="#">103011</a>	76,99 €	7	disc, flywheel to autm drive 127FN,110	<a href="#">203105</a>	92,03 €
8	Pilot bearing	<a href="#">103093</a>	19,52 €	9	Cover, pilot bearing	<a href="#">103094</a>	1,81 €
15	Rear oil seal, 8 mm, from ca. 05.'61	<a href="#">205046</a>	8,71 €	18	C/S frt seal ring, collar	<a href="#">303946</a>	17,85 €

18	Seal ring C/S frt M127 early, slim shape	<a href="#">303046</a>	12,20 €	19	360°,M127+others, picture C/S seal ring frt 6-cyl, collar 180°	<a href="#">203946</a>	25,29 €
19	Oilseal, C/S frt., no collar	<a href="#">203046</a>	20,38 €	27	Washer	<a href="#">103083</a>	7,14 €
29	Necked down bolt for crankshaft pulley	<a href="#">103085</a>	8,21 €	32	fly wheel extracting tool	<a href="#">258205</a>	308,20 €
38	In-Hex bolt e.g. pulley, 10.9 M8x65	<a href="#">203274</a>	1,33 €	45	Cs.bearing set 59.50mm M127	<a href="#">203038</a>	189,45 €
45	Cs.bearing set 230SL 59.75mm	<a href="#">203037</a>	190,00 €	45	Cs.bearing set 230SL 59.00mm	<a href="#">203040</a>	176,00 €
45	Cs.bearing set 230SL 59.25mm	<a href="#">203039</a>	163,86 €	45	Cranks.bearing set 60.00 , M127	<a href="#">203036</a>	199,99 €
50	Crank Shaft Bearing Set 280SL 60.00mm	<a href="#">203120</a>	229,00 €	50	Cs.bearing set 59.00mm, M129, M108	<a href="#">203119</a>	209,00 €
50	Cs.bearing set 59.25mm, M129, M108	<a href="#">203118</a>	222,45 €	50	Cs.bearing set 59.50mm, M129, M108	<a href="#">203117</a>	233,00 €
50	Cs.bearing set 60.00mm, M129, M108	<a href="#">203041</a>	176,00 €	50	Cs.bearing set 280SL 59.25mm	<a href="#">203123</a>	176,00 €
50	Cs.bearing set 59.75mm, M129, M108	<a href="#">203042</a>	182,07 €	50	Cs.bearing set 59,50mm, M130, ...	<a href="#">203122</a>	176,00 €
50	Cs.bearing set 59.75mm, M130	<a href="#">203121</a>	176,00 €	51	Piston 230SL from FN, 83.00 last on stock:Piston,230SL FN 82.00mm	<a href="#">203035</a>	712,31 €
51	Piston for 230SL first generation, 83.00mm	<a href="#">203034</a>	383,53 €	51	Piston,280SL Euro 87.50mm	<a href="#">203030</a>	319,99 €
51	Piston,280SL Euro, 87.00mm, Mahle	<a href="#">203084</a>	212,00 €	51	Piston,250SE/SEC/SL 82.50mm	<a href="#">203086</a>	209,99 €
51	A1140309417	<a href="#">203050</a>	199,99 €	51	Piston,250SE/SEC/SL 82.50mm	<a href="#">203052</a>	215,99 €
51	Piston,250SE/SEC/SL 82.00mm	<a href="#">203053</a>	213,49 €	51	Piston,280SL Euro 86.50mm	<a href="#">203080</a>	225,49 €
51	Piston,250SE/SEC/SL 83.00mm	<a href="#">203085</a>	341,99 €	54	Con rod br. set 280SL 47.75mm	<a href="#">203141</a>	163,86 €
54	Con rod br. set 280SL 47.00mm	<a href="#">203144</a>	163,86 €	54	Con rod br. set 280SL 47.25mm	<a href="#">203143</a>	163,86 €
54	Con rod br. set 47.50 mm, 280SL	<a href="#">203142</a>	163,86 €	54	Con rod br. set 48.00mm, 280SL	<a href="#">203140</a>	163,86 €
54	Con rod br. set 250SL 47.25mm	<a href="#">203138</a>	163,86 €	54	Conrod bearg. set 47.50 mm, M129...	<a href="#">203137</a>	163,86 €
54	Con rod br. set 250SL 47.75	<a href="#">203136</a>	163,86 €	54	Con rod br. set 48.00mm, M129...	<a href="#">203135</a>	163,86 €
54	Con rod br. set 230SL 47.25mm	<a href="#">203133</a>	163,86 €	54	Con rod br. set 47.50mm, M127...	<a href="#">203132</a>	163,86 €
54	Con rod br. set 230SL 47.75mm	<a href="#">203131</a>	163,86 €	54	Con rod br. set 48.00 mm, M127...	<a href="#">203130</a>	163,86 €
55	Piston pin bushing, 280SL	<a href="#">203014</a>	9,98 €	56	Stretch Bolt for connecting rods, 190, 230 up 4-65, Repro	<a href="#">103075</a>	11,65 €

## 03.b Info Pistons 230-280SL (R113)

03.b Info Pistons 230-280SL (R113)

**Kolben 82-83mm, 230SL, 250SL, Ersatzteile heute, teils durch Ersetzung, Zwischenstufen (0.25) entfallen**

	Version	von	Version	bis	Std-Maß	1. Rep.-Maß	2. Rep.-Maß	Bolzen	Kompr.-Höhe Bolzenmitte->Boden	Ringe
	10/12/20/22	lfd. Mot-nr.	10/12/20/22	lfd. Mot-nr.	82,00mm	82,50mm	83,00mm	mm	mm	
<b>1. Generation 230SL</b>	Schalter Autom.	06420 01311	Schalter Autom.	009301 002357	<b>203030</b>	<b>203028</b>	<b>203034</b>	<b>24,0</b>	<b>42,2</b>	<b>4</b>
<b>2. Generation 230SL</b>	Schalter Autom.	009302 002358	Schalter Autom.	010833 003010	<b>203024</b>	<b>203043</b>	<b>203044</b>	<b>24,0</b>	<b>52,2</b>	<b>3</b>
<b>3. Generation 230SL</b>	Schalter Autom.	010834 003011	Schalter Autom.	Ende Ende	<b>203031</b>	<b>203033</b>	<b>203035</b>	<b>25,0</b>	<b>52,2 / 51,6 / 51,6 je -1,0 Absatz</b>	<b>3</b>
<b>250SL</b>	M129.980/981/982 alle				<b>203050</b>	<b>203052</b>	<b>203053</b>	<b>25,0</b>	<b>48,6</b>	<b>3</b>

**Kolben 86,5-87,5mm, 280SL, (S/SE auf Anfrage) Ersatzteile heute, teils durch Ersetzung, Zwischenstufen (0.25) entfallen**

	Version	von	Version	bis	Std-Maß	1. Rep.-Maß	2. Rep.-Maß	Bolzen	Kompr.-Höhe Bolzenmitte->Boden	Ringe	
	10/12/20/22	lfd. Mot-nr.	10/12/20/22	lfd. Motor-nr.	86,50mm	87,00mm	87,50mm	mm	mm		
<b>280SL std. alle, 280SL USA 1. Generation</b>	Schalter Autom.				004596 007229	<b>203080</b>	<b>203084</b>	<b>203086</b> 88,00 falls erhältlich: 203088	<b>25,0</b>	<b>49,2 / 48,6 / 48,6 je -1,3 Absatz</b>	<b>3</b>
<b>280SL USA 2. Generation</b>	Schalter Autom.	004597 007230			<b>203081</b>	<b>203085</b>	<b>203087</b>	<b>25,0</b>	<b>47,9</b>	<b>3</b>	

Die erhältlichen Kolben sind jeweils die letzte Version einer "Generation".  
Mehrfache Änderungen haben speziell im 230SL zu einer Vielzahl veralteter  
Kolbenbauarten geführt.  
Der Ersatz kann Änderung der Verdichtung zur Folge haben.

Vor Bestellungen bitten wir um Angabe aller erkennbaren Maße und Zeichen  
auf den ausgebauten Kolben.

The available pistons are always the latest version of a "generation".  
The 230SL-engine had a couple of changes, which caused a high number of  
obsolete piston designs.  
The replacement may cause a different compression ratio.

Please send all visible signs and measures of the dismantled pistons.

203028	A1270308517 Piston,230SL FN	<a href="#">203828</a>	275,95 €	203030	last on stock:Piston,230SL FN	<a href="#">203030</a>	319,99 €
	82.50mm				82.00mm		
203034	Piston for 230SL first generation,	<a href="#">203034</a>	383,53 €	203035	Piston 230SL from FN, 83.00	<a href="#">203035</a>	712,31 €
	83.00mm						
203050	A1140309417	<a href="#">203050</a>	199,99 €	203052	Piston,250SE/SEC/SL 82.50mm	<a href="#">203052</a>	215,99 €
	Piston,250SE/SEC/SL 82.00mm						
203053	Piston,250SE/SEC/SL 83.00mm	<a href="#">203053</a>	213,49 €	203080	Piston,280SL Euro 86.50mm	<a href="#">203080</a>	225,49 €
203084	Piston,280SL Euro, 87.00mm,	<a href="#">203084</a>	212,00 €	203085	Piston,M130 USA FN 87.00mm	<a href="#">203085</a>	341,99 €
	Mahle						
203086	Piston,280SL Euro 87.50mm	<a href="#">203086</a>	209,99 €	203087	Piston M130 USA late, 87,50mm	<a href="#">203087</a>	158,98 €

### 03.c Info Piston Ring Enquiry

03.c Info Piston Ring Enquiry





## Hinweis zur Anfrage von Kolbenringen How to require piston rings

Kolben-Identifizierung allein anhand von Motordaten ist leider nicht möglich.

Eine Bestellung von Kolbenringen erfordert deshalb zwingend diese Angaben:

Piston identification and piston ring order necessarily needs following data:

Kolbenhersteller  
Piston manufacturer



Zahl der Ringe  
No. of rings

Wichtig:  
Guss-Nummer  
/Typ Nummer

Important:  
cast- / type no.



Im Normalfall wird ein Satz Ringe PRO KOLBEN angeboten. (IN SONDERFÄLLEN sind auch Sätze PRO MOTOR möglich.)  
Usually rings are offered for 1 piston. (SOMETIMES rings for 1 engine can be offered.)

**Tipp zur Motorinstandsetzung:** beginnen Sie keine Bearbeitung von Oldtimer-Motorblöcken bevor ein Vergleich der Altteile und Neuteile stattgefunden hat. Bekannte Schwierigkeiten:  
- Liefersituation kann unzuverlässig sein  
- Rep.-Maße nicht lückenlos erhältlich  
- Produktions-Soll-Maße können leicht schwanken  
- alter Motor enthält Fremdbauteile  
- Bauart ersetzter Teile weicht ab.  
Ihr professioneller Motoreninstandsetzer ist mit der Situation vertraut und kann nach Befund eine Empfehlung aussprechen. Zur Ermittlung von Reparaturgrößen können Probebearbeitungen nötig sein. Umtausch nicht möglich, wenn Teile oder Verpackungen beschädigt sind.

**Hint for engine recondition:** Please don't start any work on your vintage engine blocks before comparing the old to the new parts. Known difficulties:  
- Delivery situation might not be reliable  
- Not all repair measures are available  
- Production measures may differ  
- Type of replaced parts may differ  
Your professional engine-workshop is familiar with the situation. After compliance status he can recommend what to do. To find out the right repair measures it might be necessary to do test works. Return/exchange is not possible if parts or packaging is damaged.

Motor: 280SL USA 1971  
-Nr: 130.983-12-023456

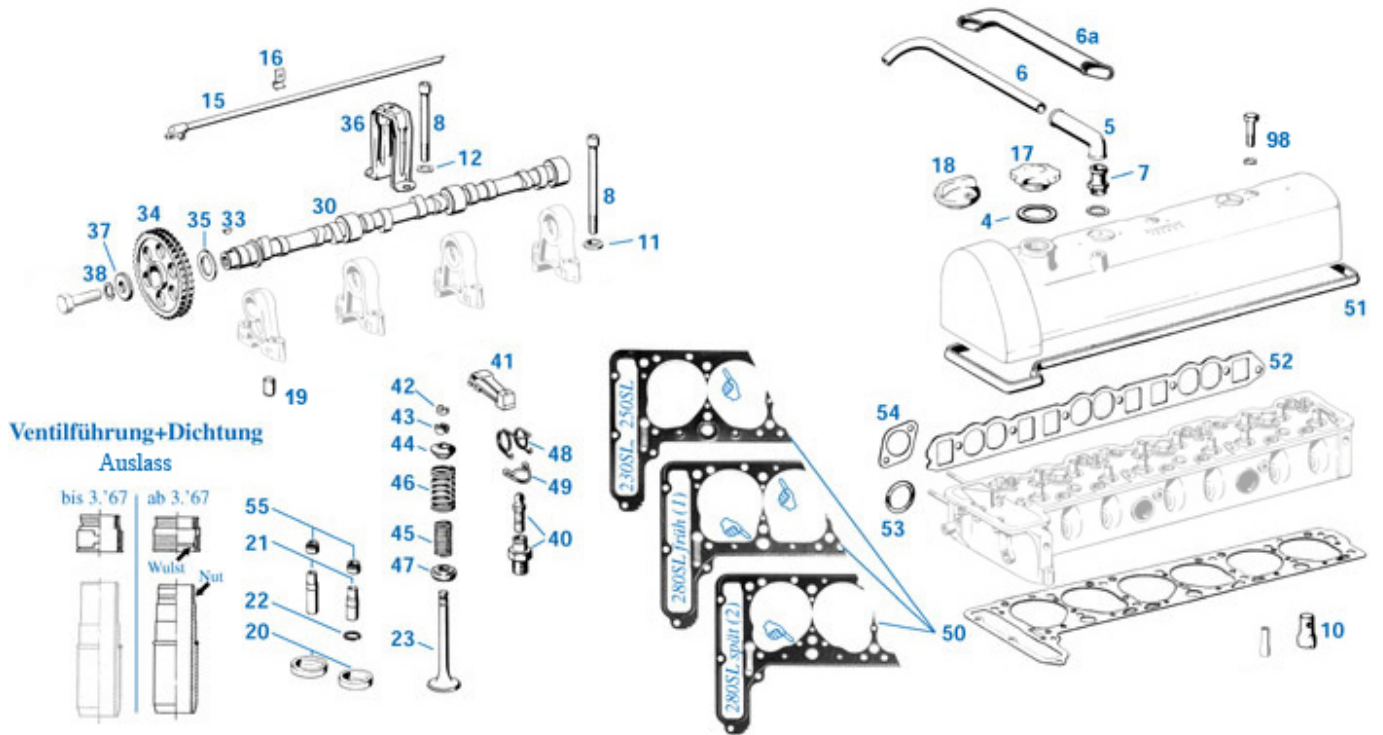
Besonderheit: Zylinderbohrungen und Pleinflächen vormals bereits nachgearbeitet

alte Kolben Ident	Mahle 86V16, 3 Ringe	Felder für Sachbearbeiter	130 030 9017
Kolbenmaß	87,00mm	ex A 000	030 8824
Bestellwunsch	Ringe alle 6 Kolben	SLS 203094	

nach Daten	Rings per piston, Mahle 82V33+, 4rings	<a href="#">203001</a>	62,89 €	nach Daten	Pistonrings 87,50	<a href="#">203097</a>	300,05 €
nach Daten	Engine-set Pistonrings 82.00 fits 82V37 Mahle 3 rings	<a href="#">203102</a>	327,25 €	nach Daten	see 203091	<a href="#">203089</a>	69,39 €
nach Daten	Rings per engine, 82.50, to 82V33	<a href="#">203806</a>	287,55 €	nach Daten	Rings per engine, 82.50 eg. Nüral 3-R	<a href="#">203807</a>	218,79 €
nach Daten	Rings per engine, 82.00, to 82V33	<a href="#">203805</a>	287,55 €	nach Daten	Piston ring set 87.00mm f.Mahle, per ca	<a href="#">203195</a>	275,04 €
nach Daten	Rings per engine 83.00"82V59" fits Mahl	<a href="#">203109</a>	287,55 €	nach Daten	Rings per engine, 82,50mm, 6x3rings	<a href="#">203108</a>	243,80 €
nach Daten	set piston rings 83.00 for 81V8	<a href="#">203107</a>	218,79 €	nach Daten	Rings per piston 82.50 fits Mahle 82V36	<a href="#">203104</a>	32,51 €
nach Daten	rings per piston, 87.50, fits 86V16 3-R	<a href="#">203096</a>	69,39 €	nach Daten	Piston ring set 82,50 mm, Mahle 3 ring	<a href="#">203003</a>	239,79 €
nach Daten	Piston ring set 280SL FN 87.0	<a href="#">203095</a>	68,76 €	nach Daten	Rings per motor 87,00 4 pcs/piston	<a href="#">203093</a>	356,31 €
nach Daten	Ringe pro Motor 86,50 M130, 4 pro Kolbe	<a href="#">203092</a>	369,99 €	nach Daten	Rings for 1 piston 86,5mm M130 Mahle 86V..	<a href="#">203091</a>	56,26 €
nach Daten	Rings per engine 82.00, e.g. 82V36	<a href="#">203020</a>	216,81 €	nach Daten	Piston ring set 82.00mm f.Mahle, per ca	<a href="#">203010</a>	242,70 €
nach Daten	Ring set per engine, fits 82.00mm NÜRAL	<a href="#">203008</a>	199,99 €	nach Daten	Piston ring set 230SL FN,82.50, 1car	<a href="#">203007</a>	218,79 €
nach Daten	Rings per piston, fits 82.5 Mahle 4-R	<a href="#">203006</a>	65,45 €	nach Daten	Eng.-Kit Rings 83.00 6x3 rings	<a href="#">203004</a>	256,29 €

### 05.a Cyl.Head, Camshaft, Valves

05 Cyl.Head, Camshaft, Valves

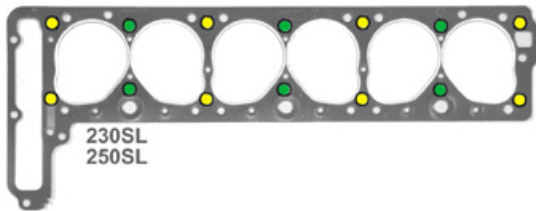


	Set CS bearings, fits repair size -0.25	<a href="#">205121</a>	533,18 €		Gasket, valvecover M127-130E	<a href="#">201899</a>	15,33 €
	stud 8x18, e.g. camsh. supports @ head	<a href="#">201918</a>	1,25 €		Plug screw, in-hex-key version: 130.980/984 from FN	<a href="#">899016</a>	31,65 €
	InHex bolt, 112.9, M8x20, i.e. head frt	<a href="#">201113</a>	1,89 €		Valve stem seal, inlet 230-280	<a href="#">205885</a>	1,36 €
	Valve lock, 1 hal, ->'67	<a href="#">105046</a>	6,00 €		Pin for chain guide, L 48,5mm	<a href="#">105830</a>	12,25 €
	Valve seal outlet 230SL	<a href="#">205986</a>	17,24 €		Plug screw, outer hex-key version: earlier than Inhex	<a href="#">299016</a>	32,13 €
	Breather tube 220SE-230SL early	<a href="#">309007</a>	109,28 €		Tube, eng. breather early	<a href="#">309008</a>	115,00 €
4	Tube, eng breather 1965/1966	<a href="#">309009</a>	74,29 €	4	Seal, oil filler cap	<a href="#">701355</a>	2,25 €
4	Sealing ring, oil cap (metal screw on cap)	<a href="#">101055</a>	4,30 €	4	Seal ring, fits plastic oil filler caps, 47 x 59 x 2,5	<a href="#">701356</a>	2,24 €
5	Engine ventilation	<a href="#">209805</a>	5,02 €	6a	Hose, breather + waterpipe protection	<a href="#">209006</a>	13,46 €
6	Breather Plastic Tube   A1290160030	<a href="#">209807</a>	24,51 €	7	Hollow screw e.g. M127 breather banjo	<a href="#">309898</a>	25,13 €
7	Seal ring 18x22 Al	<a href="#">109019</a>	0,94 €	7	threaded fitting, hood to breather hose	<a href="#">209810</a>	20,00 €
8	Cylinder head bolt 105mm for engine M121 921,127,129,130	<a href="#">101105</a>	5,99 €	8	cylinder head screw 140mm	<a href="#">201140</a>	9,98 €
8	cylinder head bolt 114mm, M12	<a href="#">201114</a>	6,44 €	11	Washer, M12 cylinder head bolt	<a href="#">101822</a>	2,86 €
15	Oilpipe above camshaft W113 all	<a href="#">205043</a>	266,99 €	16	Clamp, e.g. oil-pipe, wires	<a href="#">199025</a>	4,22 €
18	Oil filler cap,	<a href="#">250802</a>	10,95 €	18	Oil filler cap, metal/snap-on	<a href="#">250702</a>	12,85 €
18	Oil filler cap, plastic/snap on	<a href="#">250102</a>	4,88 €	19	cylindrical bolt 8 x 12, cam stands, crank frt	<a href="#">299917</a>	0,69 €
21	Valve guide outlet 14.40 mm M127	<a href="#">205890</a>	17,85 €	21	Valve guide inlet 14.031 mm	<a href="#">205230</a>	12,02 €
21	Valve guide outlet 14.018 mm M127	<a href="#">205870</a>	17,26 €	21	Valve guide outlet 14.20 mm M127	<a href="#">205880</a>	25,64 €
21	Valve guide outlet 15.031 mm M129/130	<a href="#">205370</a>	14,10 €	21	Valve guide inlet 14.20 mm	<a href="#">205240</a>	18,21 €
21	Valve guide outlet 15.20 mm M129/130	<a href="#">205380</a>	12,74 €	23	Exhaust valve, 230 SL, Na filled	<a href="#">205003</a>	35,08 €
23	Valve, inlet, 220SEb, 230SL, Aftermarke	<a href="#">205902</a>	23,06 €	23	Valve, Exhaust, M129/130, brand "Freccia"	<a href="#">205741</a>	42,84 €
23	Inlet valve 250S-280S/SE/SL	<a href="#">205031</a>	29,99 €	30	Camshaft 230SL	<a href="#">205000</a>	800,00 €

30	A1140510201 Camshaft 280SL Euro FN	<a href="#">205009</a>	799,00 €	30	Camshaft 230SL, .."8401"	<a href="#">205700</a>	699,95 €
33	A6219910467 Woodruff key, 4° cs.	<a href="#">205078</a>	13,99 €	33	woodruff key, standard, 4mm	<a href="#">205077</a>	1,00 €
34	Camshaft sprocket M121,127,129,130,.. FEBI	<a href="#">105001</a>	56,85 €	35	Spacer 2.7 mm behind camshaft sprocket	<a href="#">205818</a>	17,50 €
37	Shim, camshaft sprocket	<a href="#">105021</a>	3,93 €	37	Disc to screw camshaft sprocket	<a href="#">105821</a>	9,52 €
38	Spring washer 14mm e.g. cam wheel	<a href="#">105028</a>	0,55 €	40	Rocker arm pin, 190,230,250, Repro	<a href="#">205842</a>	62,00 €
40	Pin bolt for valve rocker, from M130	<a href="#">205839</a>	62,00 €	41	Rocker arm, FEBI	<a href="#">205040</a>	30,35 €
41	Rocker arm inlet/outlet	<a href="#">205840</a>	28,92 €	42	Shim 280SL FN 3.5mm	<a href="#">205048</a>	32,00 €
42	Shim 280SL FN 2.5mm	<a href="#">205049</a>	33,62 €	42	Shim 280SL late, 4.5mm = standard	<a href="#">205047</a>	32,94 €
42	Thrust piece 2.5mm	<a href="#">205038</a>	19,93 €	42	Thrust piece 4.5mm ->5.69 (FN)	<a href="#">205036</a>	25,89 €
42	Thrust piece 3.5mm	<a href="#">205037</a>	27,13 €	43	Valve collet, 1 half, '67-> (from 250)	<a href="#">205035</a>	0,65 €
45	Valve spring inner, 230SL	<a href="#">205005</a>	43,98 €	46	Valve spring 230SL, outer	<a href="#">205806</a>	29,99 €
46	Valve spring 230SL, outer	<a href="#">205006</a>	34,32 €	49	Spring, circular, 280SL	<a href="#">299015</a>	36,50 €
49	Spring, rocker base bolts ->'67	<a href="#">105029</a>	6,40 €	50	Cylinder head gasket 280SL, late M130.983-10 from engine number	<a href="#">201022</a>	132,99 €
50	Cylinder head gasket 280SL, late M130.983-10 from engine number	<a href="#">201622</a>	164,47 €	50	Cylinder head gasket 230-250SL, brand Elring	<a href="#">201023</a>	121,50 €
50	Cylinder head gasket 280SL/SE late, brand REINZ-GLASER	<a href="#">201722</a>	107,99 €	50	Cylinder head gasket 280SL, early M130.983-10 up to engine	<a href="#">201021</a>	108,64 €
50	Cylinder head gasket 230-250SL, brand REINZ-GLASER	<a href="#">201723</a>	99,96 €	51	Gasket, valvecover engine M127 - 130E	<a href="#">201099</a>	20,66 €
52	Manifold Gasket M127-130   "REINZ"	<a href="#">249090</a>	14,40 €	52	Gasket Intake/Exhaust M127-130, ELRING	<a href="#">249990</a>	14,76 €
53	O' Ring tensioner to head	<a href="#">205135</a>	0,55 €	54	Gasket, thermostate	<a href="#">120011</a>	2,02 €
55	Valve seal, inlet, M127 - M130	<a href="#">205085</a>	5,55 €	55	Valve stem gasket set 129+130, brand Elring	<a href="#">205790</a>	27,49 €
55	Valve seal, outlet, 230SL	<a href="#">205086</a>	5,78 €	98	Hex bolt M8 x 30	<a href="#">915057</a>	1,14 €

## 05.b Zyl.Kopfschrauben Info

### 05.a Zyl.Kopfschrauben Info



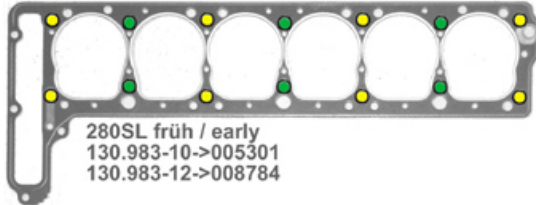
230SL  
250SL

- 105mm = SLS [101105](#)
- 140mm = SLS [201140](#)
- 114mm = SLS [201114](#)
- 144mm = SLS [701144](#)

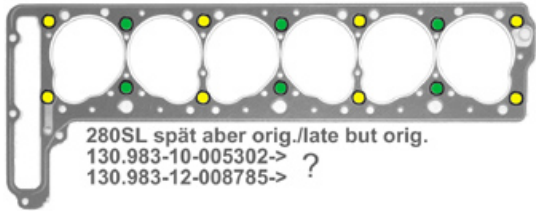


Bauart der Schrauben: siehe Produktbilder  
Anzugsmomente: Werkstatlliteratur und  
Angaben der Kopfdichtungs-Beilage beachten

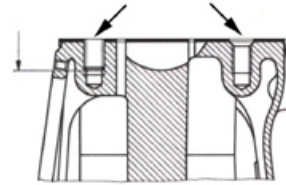
Bolt design see product illustration,  
torque see workshop manual and  
head gasket product info



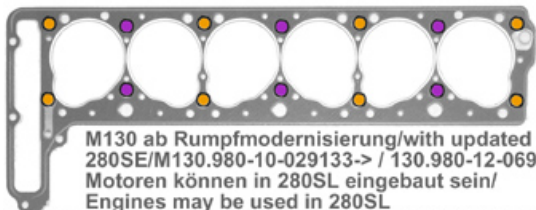
280SL früh / early  
130.983-10->005301  
130.983-12->008784



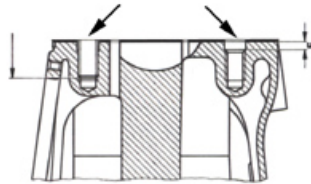
280SL spät aber orig./late but orig.  
130.983-10-005302->  
130.983-12-008785-> ?



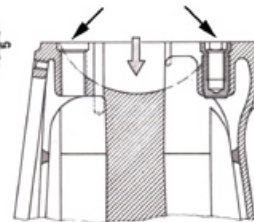
2.8 I , 2.8 II



M130 ab Rumpfmodernisierung/with updated block  
280SE/M130.980-10-029133-> / 130.980-12-069853->  
Motoren können in 280SL eingebaut sein/  
Engines may be used in 280SL



2.8 III



2.8 IV

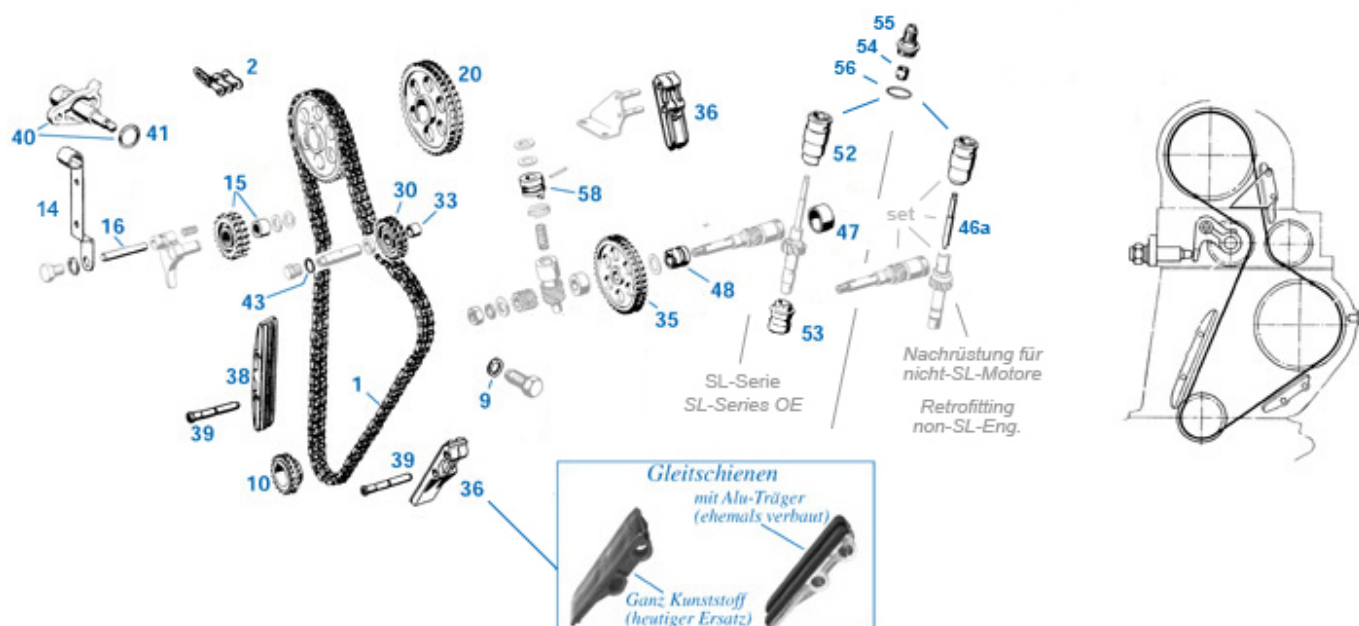
\* der Einsatztermin im 280SL ist widersprüchlich: MB-Ersatzteilliteratur: "nicht..983", MB-Werkstatllit: "auch SL ab FG 016450".  
Da auch SE-Motoren eingebaut sein können, empfehlen wir Prüfung der tats.Gewindetiefe.

implementation date of this change is uncertain: MB-parts manual: "not..983", MB-workshop manual: "used in SL from ch.016450".  
We recommend to check the real thread depth.

	Washer, M12 cylinder head bolt	<a href="#">101822</a>	2,86 €	105	Cylinder head bolt 105mm for engine M121 921,127,129,130	<a href="#">101105</a>	5,99 €
113	InHex bolt 12.9, M8x30, sump, ...	<a href="#">118018</a>	2,05 €	113	InHex bolt, 112.9, M8x20, i.e. head frt	<a href="#">201113</a>	1,89 €
114	cylinder head bolt 114mm, M12	<a href="#">201114</a>	6,44 €	140	cylinder head screw 140mm	<a href="#">201140</a>	9,98 €

## 05.c Timing Chain

05 Timing Chain

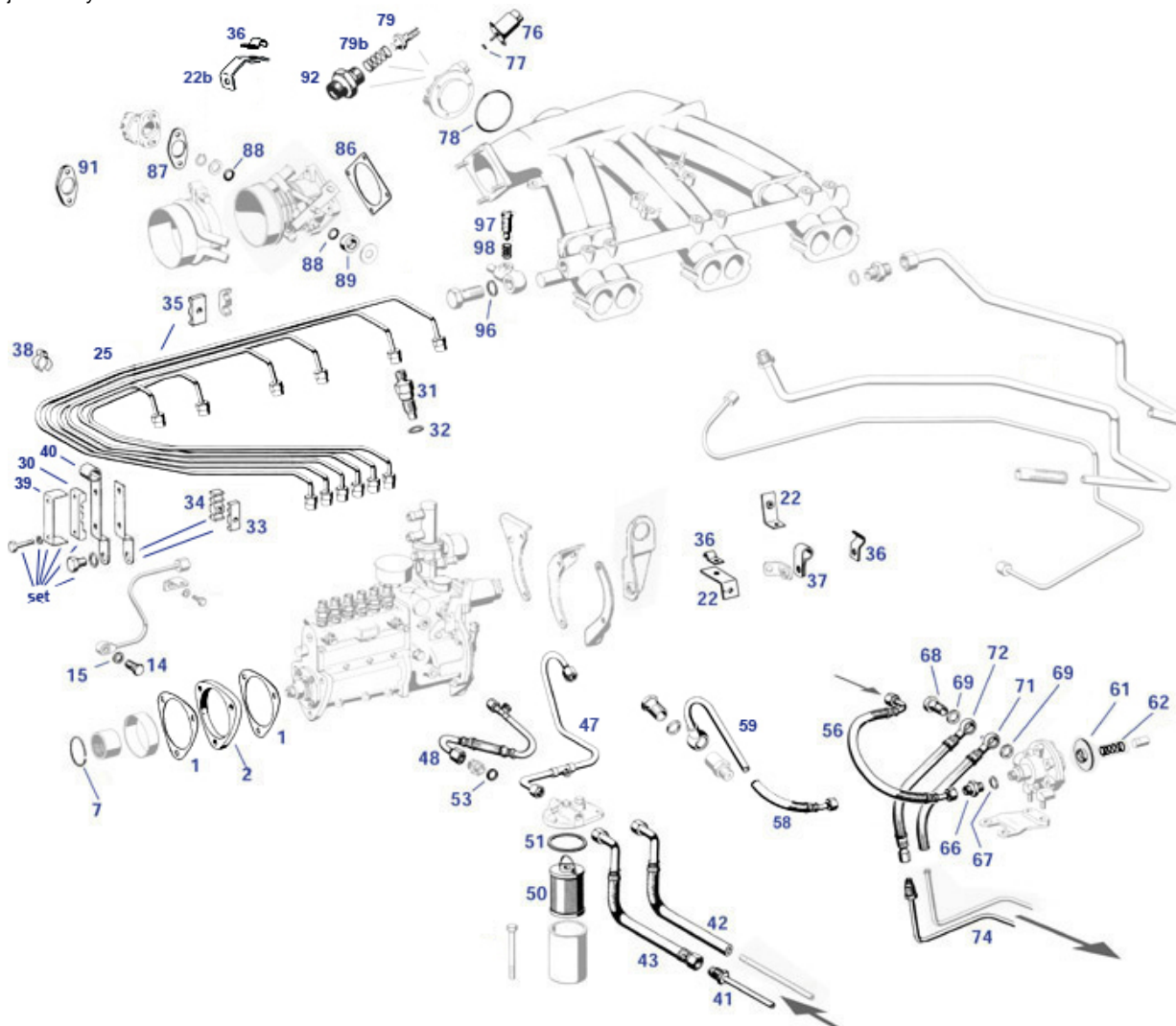


	Rocker arm pin, 190,230,250, Repro	<a href="#">205842</a>	62,00 €		sealing ring, aluminium 30mm	<a href="#">215032</a>	0,81 €
	Pin	<a href="#">705804</a>	13,76 €		Plug screw M24 e.g. pressure valve	<a href="#">218816</a>	29,75 €
2	Rocker arm inlet/outlet	<a href="#">205840</a>	28,92 €	1	Roller chain, with connector	<a href="#">299013</a>	73,90 €
	MasterLink Duplex chain (content of chain)	<a href="#">199013</a>	6,05 €	9	alu seal ring M12, eg.eng.block @ chain	<a href="#">298712</a>	0,80 €
10	Crankshaft sprocket	<a href="#">103011</a>	76,99 €	14	Bracket, pipe bundle and eng.hangup	<a href="#">220074</a>	26,60 €
15	Tensioner sprocket+bushing, Repro	<a href="#">105002</a>	156,95 €	16	Shaft for lever, tensioner	<a href="#">205814</a>	10,00 €
18	retaining rings for shafts 20 X 1,2	<a href="#">299498</a>	0,26 €	19	Spring	<a href="#">299113</a>	8,09 €
20	Camshaft sprocket M121,127,129,130,.. FEBI	<a href="#">105001</a>	56,85 €	30	Sprocket, offset incl.205026	<a href="#">205025</a>	110,04 €
32	Bolt, offset sprocket	<a href="#">205024</a>	74,85 €	35	Intermediate chain gear	<a href="#">205822</a>	165,40 €
36	Chainguide,new,all plastic	<a href="#">205010</a>	5,50 €	36	Chainguide short, design meets old original	<a href="#">105006</a>	189,97 €
38	Chainguide, long, plastic, FEBI	<a href="#">205029</a>	22,60 €	38	Chain guide, long, alu base	<a href="#">105004</a>	145,92 €
39	Pin for chain guide, L 48,5mm	<a href="#">105830</a>	12,25 €	40	Chain tensioner	<a href="#">205130</a>	349,50 €
41	O' Ring tensioner to head	<a href="#">205135</a>	0,55 €	43	Seal Ring   gear box drain plug	<a href="#">226047</a>	0,54 €
45	drive pin, rev-ctr, only fits at 205719	<a href="#">205819</a>	63,55 €	47	Bush, timing, rear	<a href="#">205027</a>	7,90 €
48	Bushing, intermediate sprocket shaft	<a href="#">205020</a>	59,98 €	52	thrust bearing, full length 56,9mm	<a href="#">218489</a>	101,39 €
52	thrust bearing, full length 57,3mm	<a href="#">218410</a>	94,01 €	53	A6151810026 Bearing,thrust, lower ring, upper shaft	<a href="#">218411</a>	88,77 €
54	Seal ring speedo/rev drive	<a href="#">126039</a>	4,88 €	55	ring, upper shaft	<a href="#">218417</a>	8,94 €
55	Threaded bushing connects, rev. ctr.	<a href="#">205050</a>	94,62 €	56	O-ring, eng. housg	<a href="#">218412</a>	0,55 €

## 07 Mech.Injection, Air Intake, ...

### 07.a Injection System

07.a Injection System

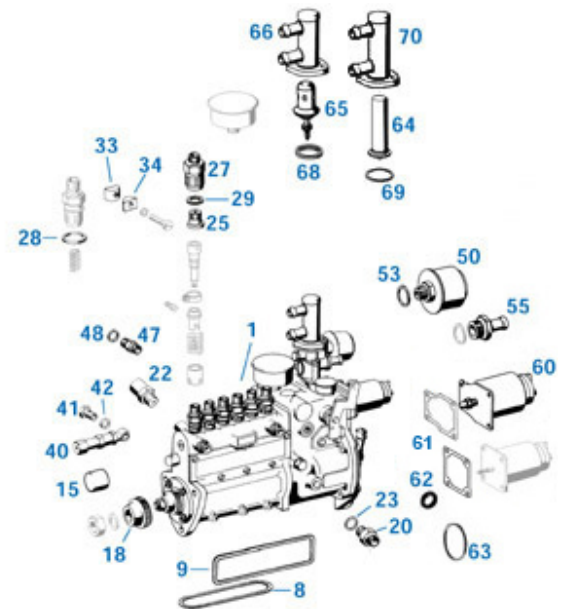
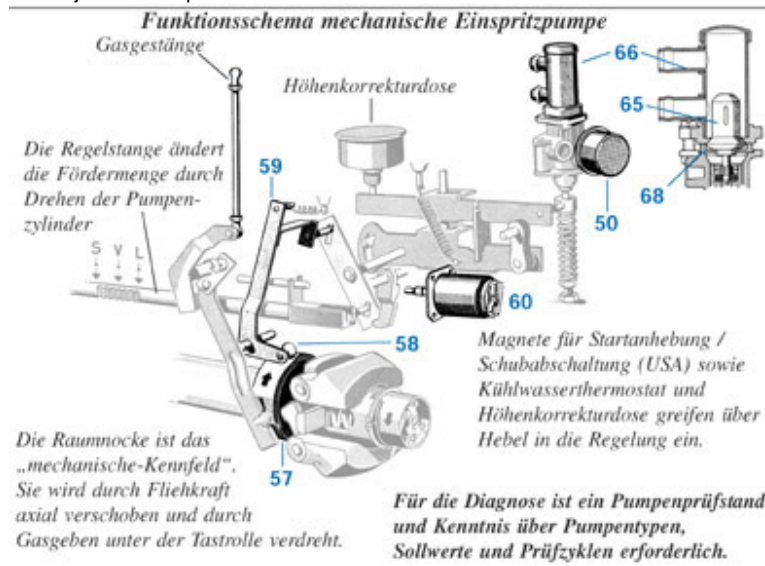


	Pipe,ff - fp.250-280SL, flexible section	<a href="#">247719</a>	69,00 €		A1300700040 Bracket, 280SL early type	<a href="#">207210</a>	55,16 €
1	Gasket, injectuon pump->engine	<a href="#">207835</a>	1,15 €	2	Flange,isolating,250-280SL, genuine quality	<a href="#">207940</a>	31,25 €
2	Flange,isolating, M127, genuine quality	<a href="#">207942</a>	36,34 €	7	Ring, spacing,inj. Pump	<a href="#">235034</a>	1,64 €
14	Hollow screw, air venting	<a href="#">220010</a>	2,48 €	15	Sealing ring ID8, eg. for hollow screw	<a href="#">220011</a>	0,65 €
22b	bracket for tube clamp at throttle housg	<a href="#">214207</a>	30,58 €	25	Set 6pcs inj.lines 230SL, 250-280SL/SE, repro	<a href="#">207805</a>	599,99 €
30	Rubber pad,bracket,fr.,inj	<a href="#">207157</a>	6,63 €	31	Injector 230SL, 250+280SE/SL	<a href="#">207104</a>	245,00 €
32	Copper seal ring	<a href="#">207115</a>	0,62 €	33	metal spacer, fuel pipe mount, 3-notch	<a href="#">207012</a>	22,29 €
33	Pipe support,inj., (4 pipes)	<a href="#">207011</a>	16,02 €	34	Bolt "long", pipe mounts (M5x30)	<a href="#">207030</a>	1,76 €
34	Plastic spacer, inj. pipe supports	<a href="#">207009</a>	24,99 €	35	Bolt "short", pipe mounts (M5x18)	<a href="#">207018</a>	1,31 €
35	half clamp, metal, 2-lines-mount	<a href="#">207008</a>	7,59 €	36	Clamp 5mm e.g. brake lines	<a href="#">143038</a>	0,50 €
36	Clamp, rear floor, fits 6mm wire or pipe	<a href="#">242059</a>	3,71 €	37	Bracket clamp, warmup air pipe, waterp.	<a href="#">220087</a>	2,84 €
38	Spring clip,vac. pipe to fuel line	<a href="#">299471</a>	15,15 €	39	clamp at pipe-support	<a href="#">220076</a>	8,35 €
39	Spring washer M5	<a href="#">299325</a>	0,11 €	40	Bracket, pipe bundle and eng.hangup	<a href="#">220074</a>	26,60 €
41	Fuelfeedline230-280SL	<a href="#">247032</a>	115,00 €	42	Hose,ff.,230SL to vn.013014, W111, ..	<a href="#">247002</a>	44,95 €
42	Hose clamp 15mm	<a href="#">947997</a>	3,09 €	43	Hose,ff.,230SL FN ,250-280SL	<a href="#">247003</a>	86,28 €

48	Tube studs w. fittings for 1290700632	<a href="#">247819</a>	34,93 €	50	Filter element R113+M110 early	<a href="#">247701</a>	12,65 €
51	Sealing ring, fuel filter	<a href="#">247020</a>	0,92 €	53	Seal ring 14mm Alu	<a href="#">207186</a>	1,08 €
56	Fuel hose, return way	<a href="#">247104</a>	83,00 €	59	Banjo Fitting 230SL up to vn 010687	<a href="#">247018</a>	87,83 €
61	diaphragm for damper, fuel return	<a href="#">207803</a>	33,20 €	62	N/A coil spring, damper, fuel return	<a href="#">207804</a>	20,00 €
67	Seal ring e.g. fuel damp housg	<a href="#">207178</a>	1,46 €	68	Hollow screw, M14 x 1,5	<a href="#">207276</a>	4,66 €
72	Flexi Fuel Line for Injection Damper Cage - 250/280 SL	<a href="#">247017</a>	49,98 €	74	Return fuel line   about 300 cm	<a href="#">247027</a>	101,95 €
76	Solenoid,cst. valve(1 pole)	<a href="#">214014</a>	238,00 €	77	Seal ring,cst. valve solenoid	<a href="#">214022</a>	1,96 €
78	Sealing ring, cst. control	<a href="#">214013</a>	1,96 €	78	gasket 280 from large manifold	<a href="#">214026</a>	3,57 €
79	valve needle cold start valve, brass, 6mm	<a href="#">214822</a>	27,91 €	79b	spring for valve needle cold start valve,	<a href="#">214823</a>	4,40 €
86	Gasket, throttle flap housing	<a href="#">214012</a>	7,60 €	87	Gasket,idler switch,metal	<a href="#">214080</a>	3,69 €
87	Gasket,idler switch,metal	<a href="#">214780</a>	3,69 €	88	O'ring,throttle flap shaft, M127/M100	<a href="#">214070</a>	2,20 €
89	Sealing ring,throttle shaft	<a href="#">143005</a>	4,93 €	91	Cap, throttle flap shaft	<a href="#">214074</a>	55,22 €
92	fitting with strainer, cold start valve	<a href="#">214829</a>	80,50 €	96	Copper ring 18mm	<a href="#">214079</a>	1,21 €
97	Idle air screw 127.981 up to FN	<a href="#">214036</a>	36,03 €	97	Idle air screw M127 from FN, M129, M130	<a href="#">214016</a>	44,80 €

## 07.b Injection Pump

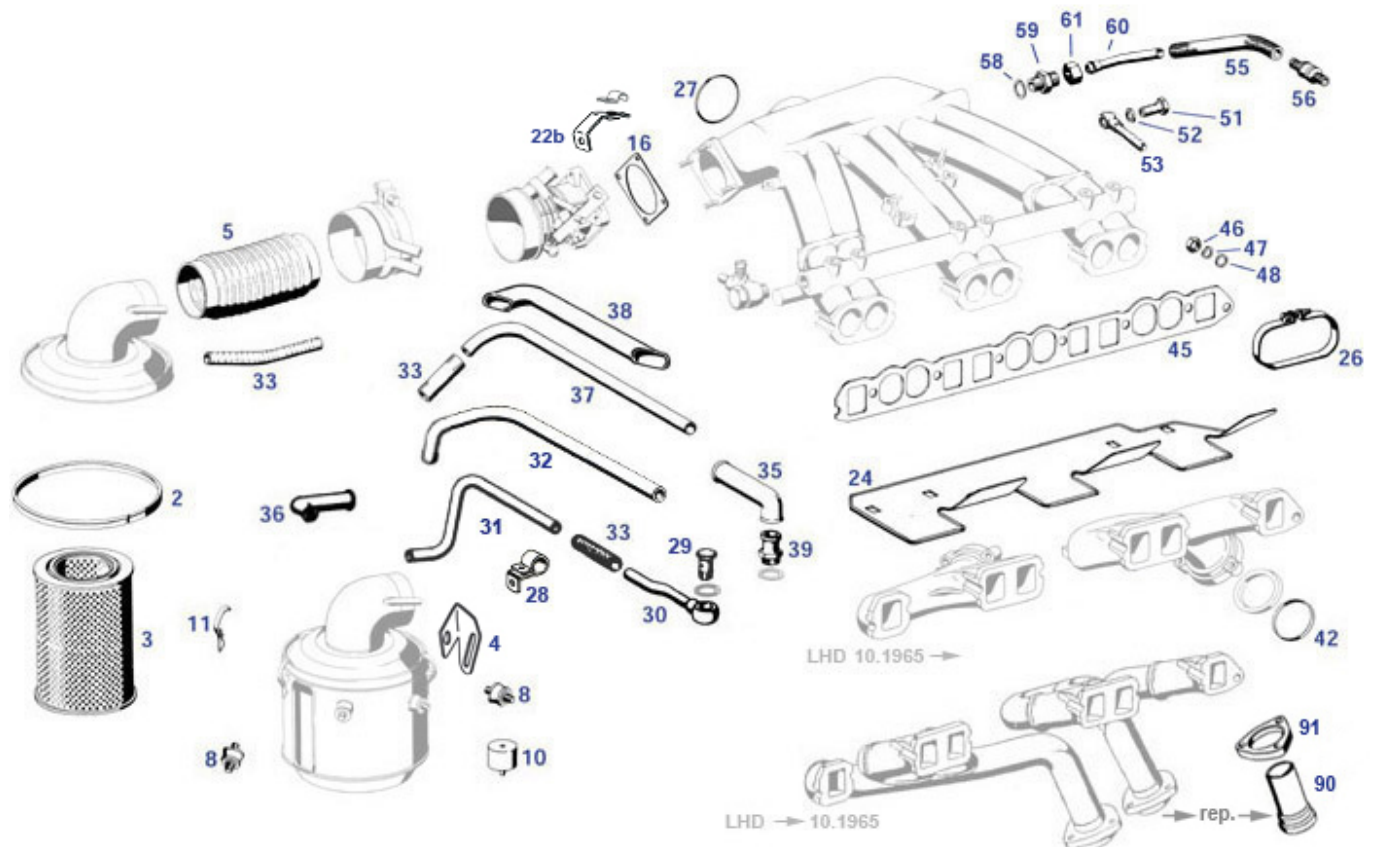
### 07.b Injection Pump



	Thermostat,inj.,'67->, incl. steel seal	<a href="#">207821</a>	57,55 €		valve needle oiler valve, steel, 5mm	<a href="#">214821</a>	23,12 €
	Flange,isolating, M127, genuine qalty	<a href="#">207942</a>	36,34 €		Flange,isolating,250-280SL, genuine quality	<a href="#">207940</a>	31,25 €
8	Gasket Kit Inj-pump PES 6KL for engines "300" and "230"	<a href="#">207230</a>	150,00 €	8	Seal kit 6-stamp PES 6KL R18-R25	<a href="#">207280</a>	150,00 €
15	Plug	<a href="#">207185</a>	65,00 €	27	Rest: threaded fitting M130 injection, simplified	<a href="#">207129</a>	23,80 €
42	Sealing ring ID8, eg. for hollow screw	<a href="#">220011</a>	0,65 €	48	Seal ring 10x13,5, Alu, e.g. sender, hollow bolts	<a href="#">227023</a>	0,50 €
50	Air cleaner, 230SL 14mm/Hex19, inj. pump	<a href="#">207901</a>	46,40 €	50	Air cleaner, M18/hex22 (Inj.p. M129/130E)	<a href="#">207114</a>	61,00 €
53	Seal ring 18x22 Al	<a href="#">109019</a>	0,94 €	53	Seal ring 14mm Alu	<a href="#">207186</a>	1,08 €
55	Fitting for air hose	<a href="#">207181</a>	16,09 €	61	Gasket, start Solenoid	<a href="#">207124</a>	10,89 €
61	Gasket, start Solenoid	<a href="#">207824</a>	10,89 €	63	Gasket kit regulator housing PES	<a href="#">207281</a>	71,80 €
65	Thermostat,inj.,'67->, incl. steel seal	<a href="#">207121</a>	164,99 €	66	Housing,Thermo,inj.,250-280SL	<a href="#">207122</a>	210,94 €
68	Ring, seat, fits thermostate 207121	<a href="#">207151</a>	35,99 €	69	Seal ring f. bolt 705004	<a href="#">705005</a>	0,68 €

## 09 Air-Intake and Aircleaner

09 Air-Intake and Aircleaner



	spring for valve needle cold start valve,	<a href="#">214823</a>	4,40 €		Spring, dle air adjuster bolts	<a href="#">214017</a>	17,50 €
2	Seal for Air filter Lid (1m)   A0000942079	<a href="#">214020</a>	4,17 €	2	Wire clips, air filter box, Repro	<a href="#">214825</a>	2,59 €
3	Air filter R113, 280 SL/SLC (MANN)	<a href="#">209400</a>	41,00 €	3	Air filter element R113, 280SL/SLC NoName	<a href="#">209402</a>	14,57 €
4	Link bit, air filter box to side wall	<a href="#">209815</a>	22,48 €	5	Air hose 135mm, e.g.280SL late	<a href="#">209702</a>	81,41 €
5	Air hose 185mm, e.g. 280SL up to FN	<a href="#">209701</a>	74,99 €	5	Air hose 135mm, e.g.280SL late	<a href="#">209802</a>	107,99 €
5	Air hose 185mm, e.g. 280SL up to FN	<a href="#">209801</a>	99,00 €	5	Air hose 160mm, e.g. 230SL late	<a href="#">209800</a>	87,02 €
5	Air hose 100mm e.g. 250SL	<a href="#">209703</a>	81,41 €	5	Clamp, air hose	<a href="#">209004</a>	2,77 €
5	Air hose 100mm e.g. 250SL	<a href="#">209803</a>	108,04 €	8	Mounting,af. flexible buffer	<a href="#">209406</a>	7,69 €
10	Rubber buffer, floor/exhast, others...	<a href="#">249818</a>	4,68 €	11	cotter pin 3 x 28, fits 314025 ...	<a href="#">314029</a>	0,32 €
11	Lock f.filterbox, flat spring	<a href="#">314825</a>	9,98 €	16	Gasket, throttle flap housing	<a href="#">214012</a>	7,60 €
22b	bracket for tube clamp at throttle housg	<a href="#">214207</a>	30,58 €	24	Insulation plate , M130 E late (ca 69->	<a href="#">214003</a>	125,30 €
24	Insulation plate ,250-280SLFN	<a href="#">214002</a>	116,50 €	26	Clamp,insulation->intake,'70->	<a href="#">214024</a>	4,90 €
26	Clamp,insulation->intake ->'69	<a href="#">214004</a>	6,99 €	27	gasket 280 from large manifold	<a href="#">214026</a>	3,57 €
27	Sealing ring, cst. control	<a href="#">214013</a>	1,96 €	28	Clamp 1.generation breather pipe	<a href="#">309029</a>	45,07 €
29	Hollow screw e.g.M127 breather banjo	<a href="#">309898</a>	25,13 €	30	Breather tube 220SE-230SL early	<a href="#">309007</a>	109,28 €
30	Hollow screw e.g.M127 breather banjo-style	<a href="#">309098</a>	19,25 €	30	Banjo fitting, norm, fits M18	<a href="#">109816</a>	16,01 €
31	Tube, eng. breather early	<a href="#">309008</a>	115,00 €	32	Tube, eng breather 1965/1966	<a href="#">309009</a>	74,29 €
33b	1m rubber hose ID 10mm, 5mm wall	<a href="#">943028</a>	32,78 €	35	Engine ventilation	<a href="#">209805</a>	5,02 €
36	Hose 90°, air filter 230SL, M110-D-J	<a href="#">209809</a>	3,84 €	37	Breather Plastic Tube   A1290160030	<a href="#">209807</a>	24,51 €
38	Hose, breather + waterpipe protection	<a href="#">209006</a>	13,46 €	42	Sealing ring, exhaust manif.	<a href="#">249060</a>	2,37 €
45	Manifold Gasket M127-130	<a href="#">249090</a>	14,40 €	45	Gasket Intake/Exhaust M127-130,	<a href="#">249990</a>	14,76 €

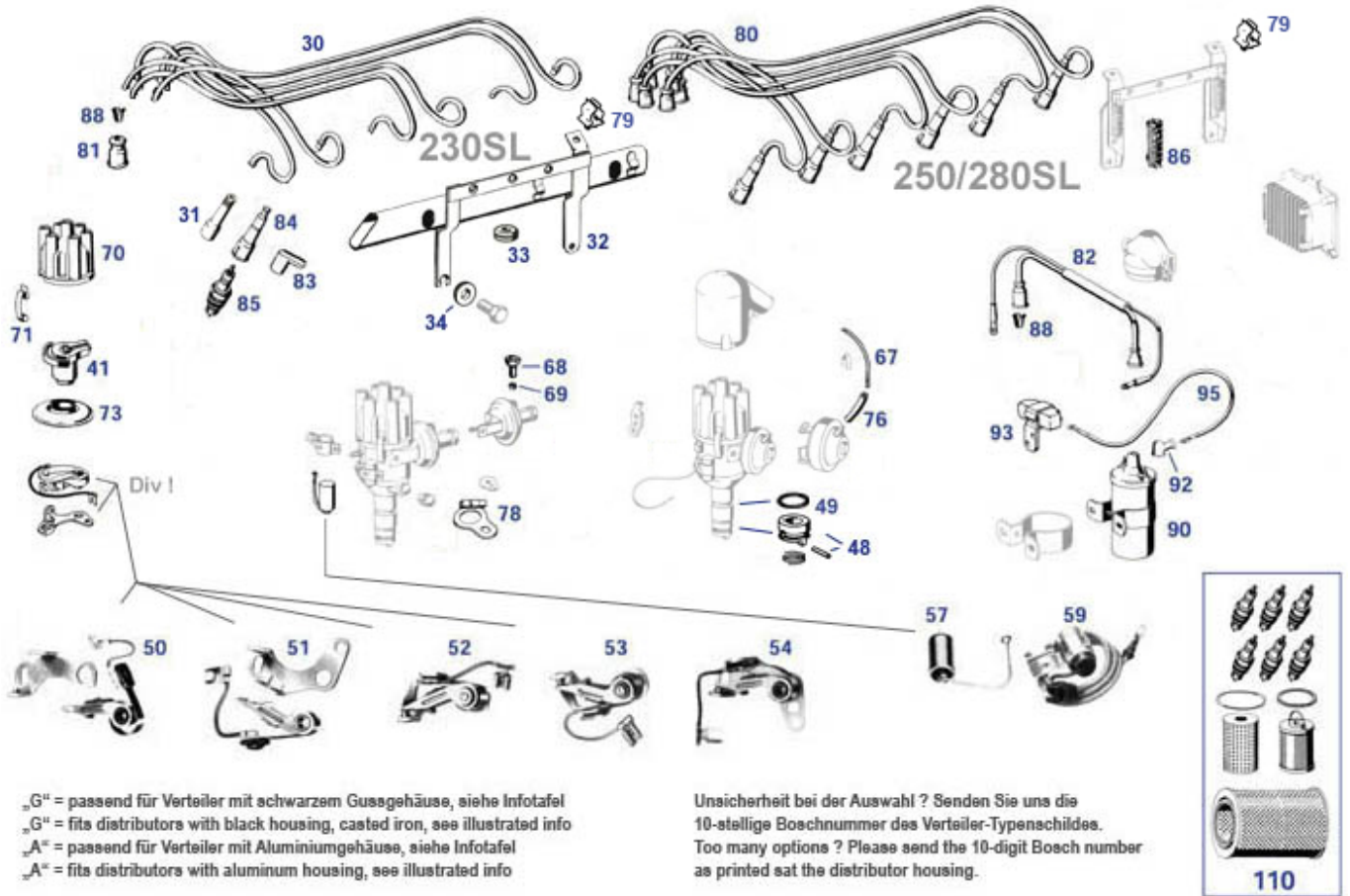


"REINZ"				ELRING			
46	Nut, M10, exh manifold	<a href="#">114008</a>	1,25 €	47	M12-127 lock washer	<a href="#">235316</a>	0,26 €
48	Washer 2mm, thick, exh-manif, bumpers .	<a href="#">214008</a>	0,56 €	51	Hollow screw on suction pipe	<a href="#">227022</a>	1,99 €
52	Seal ring 10x13,5, Alu, e.g. sender, hollow bolts	<a href="#">227023</a>	0,50 €	53	Banjo fitting, fits 10mm screw	<a href="#">227850</a>	4,07 €
56	Check valve, brake vac.	<a href="#">243016</a>	20,99 €	59	Seal ring 16x20, Alu, e.g. hollow bolts	<a href="#">214078</a>	0,99 €
60	Tube 90° e.g. adapt T52->old hose	<a href="#">243038</a>	13,74 €	90	Rep.-section, tube, fits early 230-mani	<a href="#">214818</a>	113,05 €
214100	Exhaust manifold for late W113 (used) Cylinder 4-6	<a href="#">214100</a>	1.190,00 €	214101	Exhaust manifold for laste W113 (used) Cylinder 1-3	<a href="#">214101</a>	512,89 €

# 15 Electrical Equipment at Engine

## 15.a ignition

15.a ignition

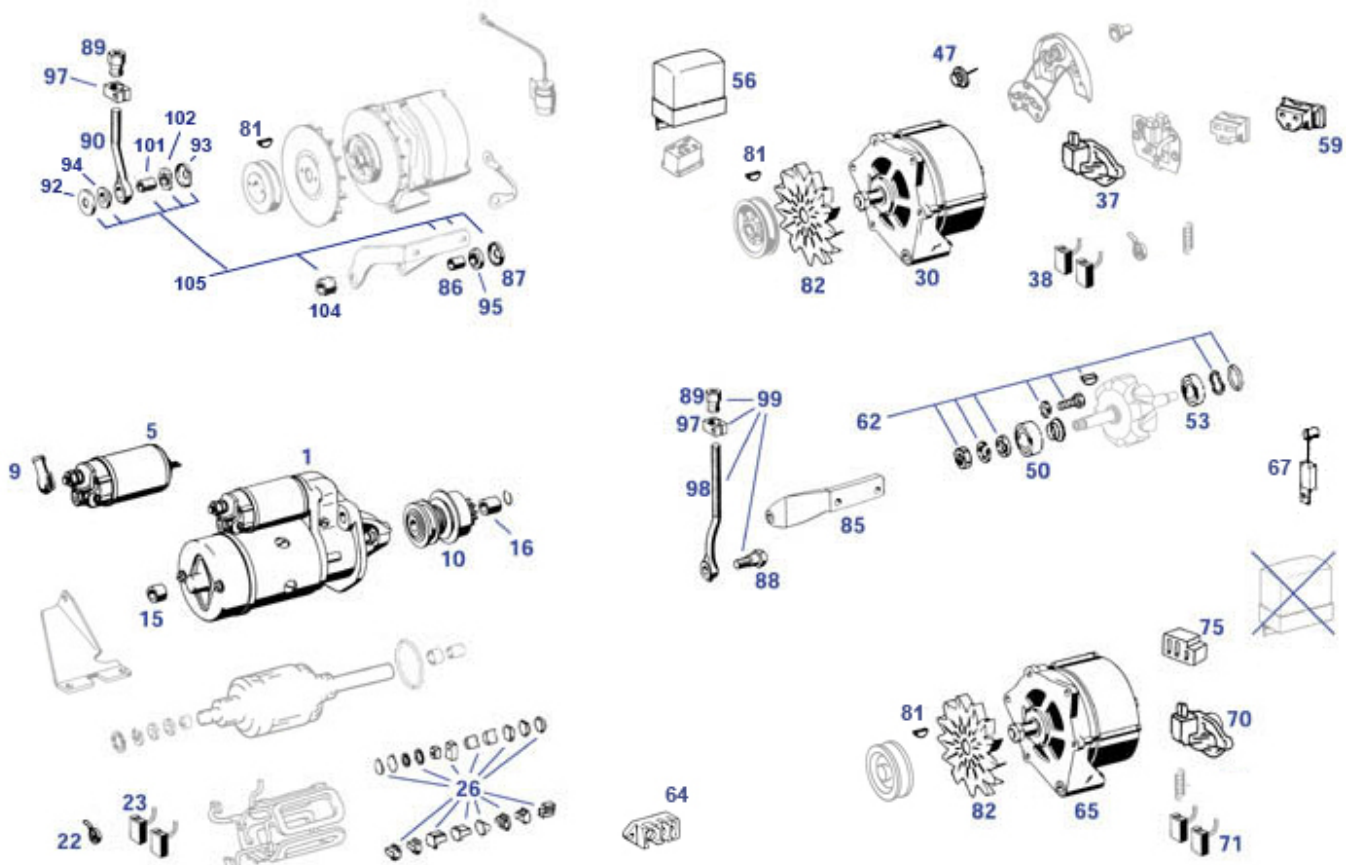


	Ignition Coil "Pertronix Flamethrower-II"	<a href="#">554711</a>	138,64 €		Distributor cap 230-280SL "A" made in Germany	<a href="#">215708</a>	55,69 €
	Marelli ignition coil MB 6-Cylinder	<a href="#">254411</a>	41,00 €		Vac unit dist., 'G', Repro, no tech documents	<a href="#">215604</a>	63,14 €
	Vacuum unit, dist. , 'A', Repro, no tech documents	<a href="#">215834</a>	94,71 €		Cont.b.set, 280SL USAFNN	<a href="#">215113</a>	9,88 €
	see 254708 or 254008, Resistor 1,8	<a href="#">254808</a>	52,36 €	30	rubber cap ID 11mm eg spark plug connectors	<a href="#">515998</a>	0,87 €
32	Metal tube w.bracket, f.ignition leads	<a href="#">215110</a>	109,99 €	32	Special nut, acc linkage support to mount LH	<a href="#">230029</a>	3,57 €
33	Rubber grommet 10/15, taillight bucket 190SL, 107	<a href="#">199020</a>	1,08 €	34	ball shaped washer	<a href="#">299992</a>	2,64 €
41	Rotor distr.,Bosch, 190SL, R113 "iron cast distr"	<a href="#">215804</a>	59,99 €	41	Rotor distr.,Beru, 190SL, R113 "iron cast distr"	<a href="#">115004</a>	20,75 €
41	Rotor arm, 280SL 'A' , Bosch	<a href="#">215011</a>	35,99 €	48	Distributor drive dog incl pin+spring	<a href="#">215036</a>	24,81 €
49	Seal ring I/D 21,5 / material 4,75 mm ref.-No. A0119970548	<a href="#">715229</a>	6,66 €	50	Kontaktsatz M180, M127 früh Beru	<a href="#">415813</a>	10,70 €
51	contact set 113	<a href="#">215803</a>	10,29 €	51	Cont.b.set, 230-280SL 'G'	<a href="#">215003</a>	22,49 €
53	Cont.b.set, 280SL USAFNN	<a href="#">215013</a>	9,88 €	53	pointer set. 280SL USA spät Beru	<a href="#">215813</a>	20,35 €
54	Pointer set 280S...	<a href="#">815003</a>	9,40 €	57	Capacitor 190SL, 113-"G" (iron dist)	<a href="#">215007</a>	8,15 €
57	Condenser f.'Alu' w.no1-lead	<a href="#">215037</a>	27,49 €	57	Capacitor w/o bracket, BERU	<a href="#">215807</a>	12,99 €
59	Condenser, see picture	<a href="#">215837</a>	14,90 €	67	Spring clip,vac. pipe to fuel line	<a href="#">299471</a>	15,15 €
67	Vacuum pipe, 2/4mm.per mtr	<a href="#">215027</a>	1,82 €	70	Distributor cap Bosh, fits "iron-dist"	<a href="#">215028</a>	81,59 €
70	Distributor cap phenol resin	<a href="#">215021</a>	47,22 €	70	Dist. cap 230-280SL, fits iron distr., also 1-2-3-R6, Beru	<a href="#">215828</a>	30,94 €
70	Distributor cap 'A'	<a href="#">215008</a>	74,38 €	70	Distributor cap 'A'	<a href="#">215808</a>	69,50 €
70	Distributor cap, fits "iron-dist", Germany	<a href="#">215928</a>	53,01 €	73	Dust cover, inside distributor	<a href="#">215012</a>	8,50 €
76	Pipe, vacuum, per mtr.	<a href="#">715027</a>	5,12 €	78	Adj. flange R4+R6 1958-1968	<a href="#">115073</a>	31,32 €

79	Clamp, vacuum line at support	<a href="#">243079</a>	21,60 €	80	Ignition lead set 250-280SE/SEL/SL "push-on"	<a href="#">215020</a>	169,99 €
80	Ign. leads set M127... BREMI plugs	<a href="#">215120</a>	105,99 €	80	Ignition lead set W113 see picture	<a href="#">215721</a>	85,00 €
80	Ignition lead set 250-280SL	<a href="#">215720</a>	155,00 €	81	Prot.sleeve ign. leads -> distributor	<a href="#">215815</a>	2,73 €
81	Connector	<a href="#">715016</a>	18,20 €	82	Cable set, coil/distributor	<a href="#">115050</a>	45,82 €
82	Grommet	<a href="#">215119</a>	0,48 €	82	Silicone ign lead, 1m	<a href="#">215116</a>	9,22 €
83	Spark plug connector, 1kOhm, angled, Bakelite	<a href="#">115056</a>	18,56 €	84	Spark plug, 5K Ohm '67 - '76	<a href="#">215017</a>	12,02 €
85	Spark plug, NGK BP7ES	<a href="#">215019</a>	3,87 €	85	Spark plug Bosch W6DC	<a href="#">215918</a>	5,70 €
85	Spark plug, NGK,	<a href="#">215018</a>	3,99 €	85	Spark plug Bosch WR5DC	<a href="#">215919</a>	5,39 €
86	Bracket, ign wires, plastic	<a href="#">215023</a>	1,49 €	88	Wire bushing with treaded pin	<a href="#">515999</a>	2,25 €
90	Ign coil Bosch 6-Cyl 108-113.. late	<a href="#">254611</a>	110,19 €	90	washer, 6,4 e.g. boot hinge	<a href="#">175005</a>	0,36 €
90	Ign.coil 113TCI + R/C107 early, BOSCH	<a href="#">754020</a>	111,13 €	90	Ign coil VALEO 6-Cyl 108-113.. late	<a href="#">254811</a>	49,99 €
90	Ign.Coil,std.actuated,needs Res:1,8	<a href="#">254011</a>	85,00 €	92	Rubber dust boot (at Gen. )	<a href="#">254051</a>	3,25 €
93	teethed washer 4,3mm	<a href="#">999037</a>	0,13 €	93	Shim 4,3x8	<a href="#">799939</a>	0,19 €
93	Screw, M4X6 Phillips, e.g switch	<a href="#">799546</a>	0,24 €	93	Ring eyelet, crimp, uninsulated, high-temp. MS sn, ID4.2	<a href="#">997989</a>	0,51 €
93	Ballast Resistor 0,4 Ohm, Reproduction	<a href="#">254768</a>	28,54 €	93	Ballast Resistor 0,6 Ohm, Reproduction	<a href="#">254767</a>	26,45 €
93	Ballast Resistor 0,9 Ohm, Reproduction	<a href="#">254766</a>	24,37 €	93	Ballast Resistor 1,8 Ohm, Reproduction	<a href="#">254708</a>	24,37 €
93	Resistor 0.6 Ohms, TCI, BERU	<a href="#">254967</a>	72,59 €	93	Resistor, 0.4 Ohm	<a href="#">254266</a>	54,00 €
93	Ballast resistor .6 Ohm, silver, TSZ	<a href="#">254166</a>	62,67 €	93	Resistor, 0,9 Ohm,silver, BOSCH	<a href="#">254066</a>	85,00 €
93	Resistor 1.8 Ohm red, fits 254011	<a href="#">254008</a>	77,53 €	93	Spring washer M4 yellow zinced	<a href="#">299283</a>	0,08 €

## 15.c Starter and Generator

### 15.c Starter and Generator

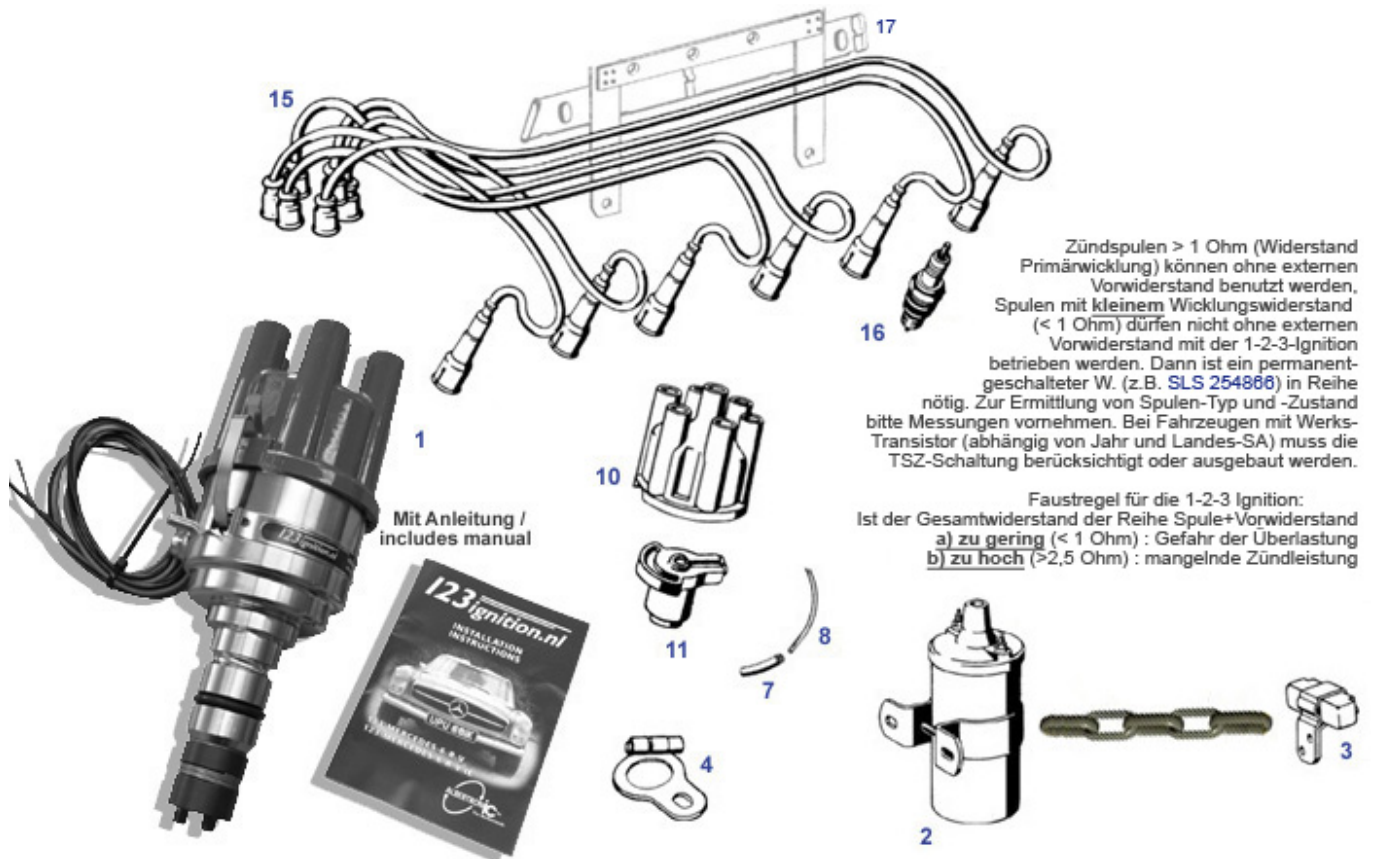


flat crimp shoe, with nose, female, ... 2,5mm²	<a href="#">754055</a>	0,65 €	Starter solenoid "3-bolt-fitment"	<a href="#">715452</a>	51,59 €
battery hold down, R113, Repro	<a href="#">254826</a>	65,45 €	Spacer ring for FN starters, see pictur	<a href="#">115847</a>	68,77 €
Spacer ring for FN starters, see pictur D11,5mm	<a href="#">115745</a>	147,95 €	Alt. regulator internal 55A	<a href="#">715782</a>	39,98 €

	Rubber grommet 11/30, blue silicon rubber	<a href="#">299517</a>	1,59 €		ground strap 40cm, eyes 8 + 6mm, w.prot hose	<a href="#">354246</a>	39,50 €
1	Starter, revised	<a href="#">215243</a>	293,99 €	1	Starter motor, replaces Bosch GF+GFR models	<a href="#">215743</a>	272,99 €
5	Starter solenoid, 3 thread	<a href="#">215244</a>	152,50 €	5	Wiring, starter to terminal at oil pan	<a href="#">254167</a>	116,85 €
9	Cap, starter terminal	<a href="#">154056</a>	5,71 €	9	Rubber cap, starter wire, small	<a href="#">754026</a>	6,14 €
15	Bushing, starter, d12,5xD16,5xL11,5	<a href="#">115032</a>	3,40 €	16	Bushing, starter, d12xD16xL14	<a href="#">215042</a>	5,95 €
16	Bushing, starter, d12xD16xL16	<a href="#">215131</a>	3,19 €	21	"Rotor shaft, starter "EF(R)"	<a href="#">215248</a>	242,76 €
23	Carbon brush set, starters, FN	<a href="#">215249</a>	25,19 €	26	Seal kit set, starter	<a href="#">715509</a>	45,36 €
30	used item required: overhaul of generator	<a href="#">215250</a>	264,95 €	37	Brush, carbon, 55A, flat	<a href="#">215282</a>	117,51 €
38	Brush, carbon, for soldering	<a href="#">215238</a>	5,85 €	38	Carbon brush set Alt. 55A fr.'74	<a href="#">715283</a>	12,45 €
45	Transformer unit 55A	<a href="#">215291</a>	36,00 €	47	Diode (negative)	<a href="#">215296</a>	16,01 €
47	Diode	<a href="#">215297</a>	6,44 €	50	Bearing several generators, front , 17 x 40 mm	<a href="#">215221</a>	10,40 €
50	Bearing fits several generators, frt, 17x52mm	<a href="#">715334</a>	24,72 €	50	Bearing frt side div generators, 17x47x14	<a href="#">215222</a>	12,38 €
53	Bearing rr side, div.generators 12x32	<a href="#">215226</a>	9,76 €	53	cap for bearing 6201	<a href="#">215228</a>	5,12 €
53	cap for bearing 6203	<a href="#">215223</a>	5,11 €	53	Bearing fits several generators, rear, 12x28mm	<a href="#">715336</a>	10,95 €
56	Extr. reg.,alternators '65->'74	<a href="#">254721</a>	58,31 €	56	Extr. reg.,alternators '65->'74, see pict	<a href="#">254621</a>	58,31 €
56	regulator, copy of old design	<a href="#">254521</a>	41,92 €	56	Extr. reg.,alternators '65->'74	<a href="#">254021</a>	560,79 €
58	Plug hsng,Regulator, 3xflat	<a href="#">254080</a>	7,28 €	62	Set nuts,bolts,washers - Alt.	<a href="#">715289</a>	40,41 €
64	A0005466541 Terminal block, 3 pole	<a href="#">254064</a>	29,99 €	65	Generator 55A see picture, exchange	<a href="#">215280</a>	497,90 €
65	Generator 65A (AC), exchange	<a href="#">215237</a>	410,55 €	67	Interference suppression capacitor with flat plug connection 90°	<a href="#">715838</a>	7,97 €
67	Interference suppression capacitor with eyelet connection	<a href="#">215838</a>	29,99 €	70	Alt. regulator internal 55A, BOSCH	<a href="#">715282</a>	60,99 €
75	Wire Connector, 90°, 9,5mm wide, e.g. generators	<a href="#">754187</a>	2,38 €	80	woodruff key W4 H5	<a href="#">215077</a>	0,88 €
80	A0011553415 Pulley, generator late styl	<a href="#">215239</a>	51,86 €	85	Support,alternator, 250-280"No-AC" used	<a href="#">215857</a>	172,55 €
86	Spacer sleeve, alternator bkt.	<a href="#">215044</a>	13,39 €	87	retainer shim, div. M8 mounts	<a href="#">109107</a>	3,19 €
88	Spring washer 14mm e.g. cam wheel	<a href="#">105028</a>	0,55 €	88	Bolt, retaining, alt. Brack	<a href="#">215055</a>	8,35 €
89	Tightening nut @ tensioner M10, hex14	<a href="#">215058</a>	15,10 €	90	Bolt, early generator tensioner (f.rbr washers)	<a href="#">215059</a>	33,43 €
92	Retainer e.g. Generator bolt late	<a href="#">115093</a>	5,02 €	93	Retainer washer e.g. 230SL alternator	<a href="#">215053</a>	10,59 €
94	Rubber spacer, generator supp, 190late	<a href="#">115819</a>	4,26 €	95	Rubber bushing, e.g. generator->rod	<a href="#">115817</a>	1,75 €
97	Clamping block, generator belt adjuster	<a href="#">115122</a>	19,04 €	97	Clamping block, generator belt adjuster	<a href="#">115022</a>	23,92 €
98	Tightening screw, 127-130 w/o rbr bushings	<a href="#">215856</a>	31,76 €	101	Bushing, e.g. alternator supports	<a href="#">215140</a>	3,07 €

## 15.e Electronic Ignition System, "1-2-3"-Retrofit

15.e Electronic Ignition System, "1-2-3"-Retrofit



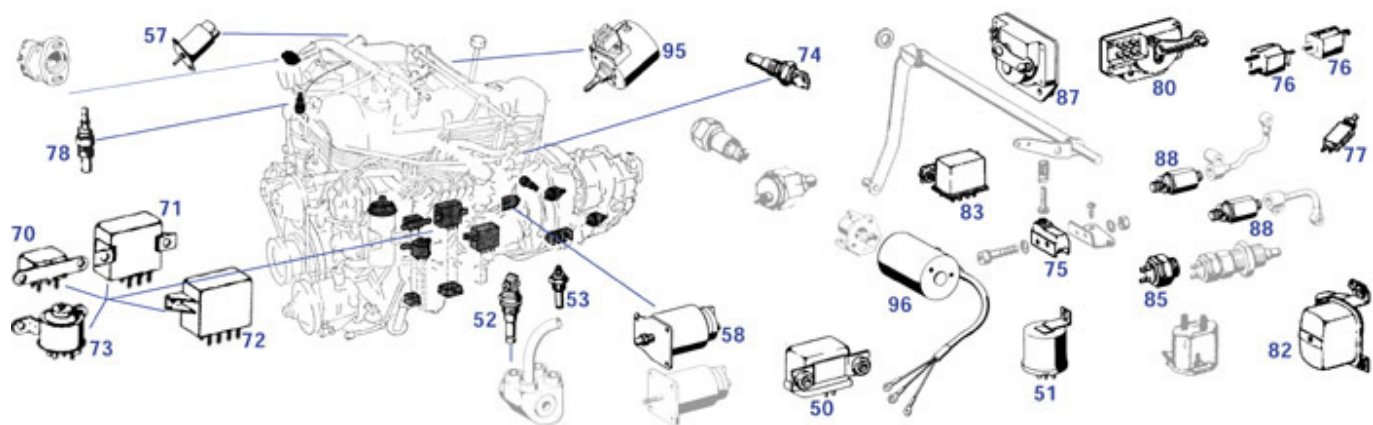
	Rotor distr.,Beru, 190SL, R113 "iron cast distr"	<a href="#">115004</a>	20,75 €		Distributor cap Bosh, fits "iron-dist"	<a href="#">215028</a>	81,59 €
	Screw, M4X6 Phillips, e.g switch	<a href="#">799546</a>	0,24 €	1	1-2-3 electronic distributor for 220 up to 280	<a href="#">215800</a>	325,00 €
1	1-2-3 distributor, USB-programmable	<a href="#">215801</a>	419,00 €	2	Ign coil VALEO 6-Cyl 108-113.. late	<a href="#">254811</a>	49,99 €
2	Ign.Coil,std.actuated,needs Res:1,8	<a href="#">254011</a>	85,00 €	3	Resistor, 0,9 Ohm,silver, BOSCH	<a href="#">254066</a>	85,00 €
3	Ballast Resistor 0,9 Ohm, Reproduction	<a href="#">254766</a>	24,37 €	4	Adj. flange R4+R6 1958-1968	<a href="#">115073</a>	31,32 €
7	Pipe, vacuum, per mtr.	<a href="#">715027</a>	5,12 €	8	Vacuum pipe, 2/4mm,per mtr	<a href="#">215027</a>	1,82 €
10	Dist. cap 230-280SL, fits iron distr., also 1-2-3-R6, Beru	<a href="#">215828</a>	30,94 €	11	Rotor distr.,FACET, 190SL, R113 "iron cast distr"also 1-2-3	<a href="#">215704</a>	14,88 €
15	Ign.leads set M127... BREMI plugs	<a href="#">215120</a>	105,99 €	15	Ignition lead set 250-280SE/SEL/SL "push-on"	<a href="#">215020</a>	169,99 €
15	Ignition lead set 250-280SL	<a href="#">215720</a>	155,00 €	16	Spark plug Bosch WR5DC	<a href="#">215919</a>	5,39 €
16	Spark plug, NGK BP7ES	<a href="#">215019</a>	3,87 €	17	Bracket,ign wires,plastic	<a href="#">215023</a>	1,49 €

### 15.e Electronic Ignition System, "1-2-3"-Retrofit

Conversion kit Ignitor-II, W113 w.distr. ..047/..051	<a href="#">215703</a>	417,69 €	Conversion kit Ignitor, 230SL early w. VJUR 6BR 49T	<a href="#">215702</a>	417,69 €
Conversion kit Ignitor-II, W113 w.distr. ..047/..051	<a href="#">215705</a>	385,56 €	Ignition Coil "Pertronix Flamethrower-II"	<a href="#">554711</a>	138,64 €

### 07.c electric engine control

07.c electric engine control



	Flasher relay, see pict, pin position changed	<a href="#">254060</a>	85,66 €		Cover, for wire terminal @ autom-housing	<a href="#">254009</a>	33,24 €
50	Rubbermount, relais	<a href="#">254295</a>	5,25 €	52	ignition distributor repair kit	<a href="#">907124</a>	26,99 €
57	Solenoid,cst. valve(1 pole)	<a href="#">214014</a>	238,00 €	70	Relay, start-/ operation current, Repro	<a href="#">254095</a>	67,84 €
73	El. vacuum control valve	<a href="#">780054</a>	53,40 €	77	A0015450211 Contact switch, glovebox	<a href="#">254101</a>	402,03 €
78	Temp.-switch 100° Celsius	<a href="#">207163</a>	23,80 €	78	Temperature switch 100° e.g. A/C fan, FEBI	<a href="#">207963</a>	19,75 €
95	2 pole terminal	<a href="#">154052</a>	44,85 €	95	Solenoid   A0000720500	<a href="#">207100</a>	1.245,00 €
95	collar nut, e.g. Solenoid pin	<a href="#">299334</a>	13,66 €	95	Grommet, acc linkage solenoid	<a href="#">207899</a>	3,93 €

## 15.i Info Spark Plugs

15.i Info Spark Plugs

### Die Kerzentypen Bosch W5... bis W8... können Sie bei uns bestellen, wie auch die NGK BP8... bis BP5...

Die Tabellen zeigen Auszüge aus den Hersteller-Empfehlungen.  
Ein Ausweichen auf einen "benachbarten" Wärmewert-Index kann  
sinnvoll sein, je nach Einsatzbedingungen und Zustand von Motoren.  
Bosch: Hohe Kennziffer = heiße Kerze = schnelles Fröhren  
niedrige Kennziffer = kalte Kerze = geringe Gefahr von Glühzündung  
NGK: u m g e k e h r t

200 (Typ 115)	01.68-01.77	W 6 DC	0,8
200 (Typ 123) Mot. M 102	06.80--	H 7 DC	0,8
200 (Typ 123) Mot. M 115	02.76-07.80	W 7 DC	0,8
220 (Typ 115)	01.68-01.77	W 6 DC	0,8
	08.71-07.73 USA	W 7 DC	0,8
230 (Typ 114) 6 Zyl	01.68-11.76	W 6 DC	0,7
230 (Typ 115) 4 Zyl	08.73-12.76	W 6 DC	0,8
	08.73-08.74 USA	W 7 DC	0,8
	09.74-08.76 USA	W 6 DC	0,7
230 (Typ 123) Mot. M 102 K-Jetronic	04.80--	H 7 DC	0,8
230 (Typ 123) Mot. M 115	01.68-01.77	W 6 DC	0,8
	09.76-08.78 USA	W 8 DC	0,8
	03.79--	W 7 DC	0,8
250 (Typ 114) Mot. 114	01.68-11.72	W 6 DC	0,7
250 (Typ 114) Mot. 130	07.72-11.76	W 6 DC	0,8
	01.68-08.71 USA	W 6 DC	0,8
	09.71-09.72 USA	W 7 DC	0,8
250 (Typ 123)	02.76--	W 6 DC	0,8
280 (Typ 108)	01.68-11.72	W 6 DC	0,7
	01.68-09.71 USA	W 6 DC	0,8
	07.71-06.72 USA	W 7 DC	0,8
280 (Typ 108, 111) Einzyl.	01.68-08.71 USA	W 6 DC	0,7
	09.71-08.72 USA	W 7 DC	0,8
280 (Typ 108, 111) 3,5 Ltr.	01.68-11.72	W 6 DC	0,7
280 (Typ 114)	02.76-02.77	W 6 DC	0,8
	09.72-08.74 USA	W 7 DC	0,8
	09.74-09.76 USA	W 8 DC	0,7
280 (Typ 114) D-Jetronic	06.72-01.77	W 6 DC	0,8
280 (Typ 116) D-Jetronic	09.72-07.76	W 6 DC	0,8
280 (Typ 116) D-Jetronic	03.76--	W 7 DC	0,8
280 (Typ 116) K-Jetronic	08.76--	W 7 DC	0,8
	08.76--	USA	0,8
280 (Typ 116) USA	08.74-08.76	W 8 DC	0,8
280 (Typ 116) 156 PS	01.76--	W 7 DC	0,8
280 (Typ 116) 160 PS	08.72-12.75	W 7 DC	0,8
280 (Typ 123)	02.76--	USA	0,8
280 (Typ 126)	08.76--	USA	0,8
280 (Typ 126)	12.75--	W 7 DC	0,8
280 SL (Typ 113)	01.68-03.71	W 5 DC	0,7
280 SL (Typ 107) D-Jetronic	08.74-09.76	W 6 DC	0,8
	09.74-09.76 NV	W 7 DC	0,8
	06.76--	W 7 DC	0,8
280 SL (Typ 107) K-Jetronic	01.68-08.72	W 5 DC	0,7
300 (Typ 109) Mot. 130	01.68-08.72	W 6 DC	0,7
300 (Typ 109) 3,5 Ltr.	01.68-01.72	W 6 DC	0,7
300 (Typ 109) 4,5 Ltr.	09.71-08.72 USA	W 7 DC	0,8
300 (Typ 109) 5,3 Ltr.	08.68-08.72	W 7 DC	0,8
300 (Typ 116) D-Jetronic	08.72-02.76	W 6 DC	0,8
	08.72-02.76 NV	W 7 DC	0,8
350 (Typ 116) K-Jetronic	03.76--	W 7 DC	0,8
350 SL (Typ 107) D-Jetronic	05.71-02.76	W 5 DC	0,7
	05.71-02.76 XIP	W 6 DC	0,8
	09.74-09.76	W 7 DC	0,8
350 SL (Typ 107) K-Jetronic	03.76--	W 7 DC	0,8
380 (Typ 126)	12.79--	USA	0,8
380 (Typ 126)	07.80--	W 7 DC	0,8
	09.80--	USA	0,8
450 (Typ 116) D-Jetronic	01.73-11.75	W 6 DC	0,8
	01.73-11.75 NV	W 7 DC	0,8
	09.72-08.74 USA	W 7 DC	0,8
	09.74-09.75 USA	W 8 DC	0,8
450 (Typ 116) K-Jetronic	12.75--	USA	0,8
	12.75--	USA	0,8
450 (Typ 116) 6,9 Ltr.	07.75--	USA	0,8
	09.76--	USA	0,8
450 SL (Typ 107) D-Jetronic	01.73-11.75	W 6 DC	0,8
	01.73-11.75 NV	W 7 DC	0,8
	09.71-08.74 USA	W 7 DC	0,8
	09.74-09.75 USA	W 8 DC	0,7
450 SL (Typ 107) K-Jetronic	12.75--	USA	0,8
	09.75--	USA	0,8
450 SLC 5.0 (Typ 107)	06.76-02.80	W 7 DC	0,8
500 (Typ 126)	12.79--	W 7 DC	0,8
600 SL (Typ 107)	03.80--	W 7 DC	0,8
600 (Typ 100)	09.64--	USA	0,8
	09.64-08.72 USA	W 7 DC	0,8

Quelle: Bosch 1981/1982

Quelle: NGK 2006

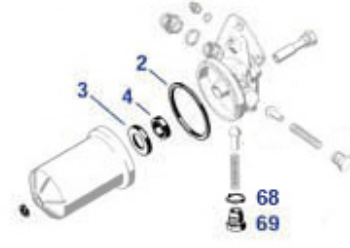
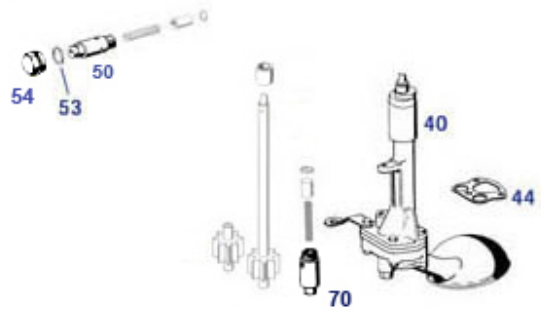
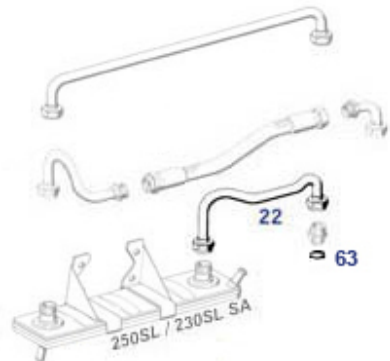
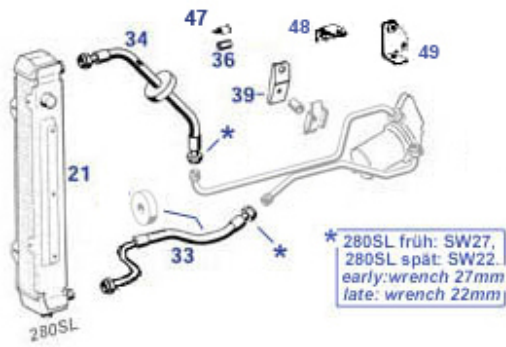
170 S	(0170)	1.7 28	05.1940-10.1956	M 136.922	4	0,6	BH6
170 V	(130)	1.7 33	1953- 1955		4	0,6	BH6
170 V	(130)	1.7 28	1947- 1950		4	0,6	BAL
170 V	(0170)	1.7 33	06.1946-06.1960	M 136.920	4	0,6	BH6
180	(120)	1.8 48	01.1963- 1962	M 121 B V / 121.923	4	0,6	BH6
180	(0120)	1.8 48	07.1953-12.1962	M 136.925	4	0,6	BP06
190	(121)	1.9 55	1959- 1960	M 121.921 B1 Vedette 8.5	4	0,7	BP06
190 S	(121)	1.9 55	1953- 1960	M 121.921 B1 Vedette 8.5	4	0,6	BP06
190 E	(201)	2.0 90	10.1982-08.1985	M 102.901/902	4	0,8	BP06
190 SL	(121)	1.9 77	01.1955- 1962	M 121.921	4	0,8	BP06
190 SL	(121)	1.9 55	1953- 1962	M 121.921	4	0,8	BP06
200	(119)	2.0 70	08.1963-03.1967		4	0,8	BP06
200	(122)	2.0 62	02.1976-08.1980	M 115.938/939	4	0,7	BP06
200 (R)	(119)	2.0 63	01.1963-01.1971	M 102.929/930	4	0,8	BP06
200 „Jackhammer“	(119)	2.0 70	07.1965-02.1968		4	0,8	BP06
210	(105)	2.2 83	1955- 1959	M 102.901	6	0,8	BP06
220 (R)	(115)	2.2 86	01.1968-01.1973	M 115.920/924	4	0,7	BP06
220 a	(189)	2.2 83	01.1964-12.1964	M 180.921	6	0,6	BP06
220 b	(111)	2.2 70	08.1959-08.1965	M 102.940	6	0,7	BP06
220 S	(129)	2.2 86	1959- 1965	M 127.982	6	0,8	BP06
220 SB	(111)	2.2 81	08.1959-08.1965	M 100.949/941	6	0,7	BP06
220 SE	(129)	2.2 85	01.1968-08.1968	M 127.980	6	0,8	BP06
220 SEB	(111)	2.2 86	1960- 1965	M 127.982	6	0,8	BP06
220 SEB Coupe	(111)	2.2 88	1961- 1965	M 127.982	6	0,8	BP06
220 SEB Cabrio	(111)	2.2 88	1961- 1965	M 127.982	6	0,8	BP06
230	(119)	2.3 88	01.1958-01.1960	M 180	6	0,8	BP06
230	(122)	2.3 107	08.1965- 1966		6	0,8	BP06
230	(129)	2.3 80	02.1976-03.1981	M 115.954	4	0,7	BP06
230 ECCE	(129)	2.3 100	04.1980-12.1985	M 102.980	4	0,8	BP06
230 E	(129)	2.3 80	04.1980-12.1985	M 102.980	4	0,8	BP06
230 G	(463)	2.3 66	03.1979-07.1983	M 115.973	4	0,7	BP06
230 GE	(463)	2.3 82	04.1982-08.1992	M 102.981	4	0,8	BP06
230 S	(111)	2.3 86	08.1955-02.1960	M 100.947/950	6	0,8	BP06
230 SL „Papier“	(113)	2.3 110	01.1943-01.1951	M 127.981	4	0,8	BP06
230.4 (R)	(119)	2.3 81	08.1973-12.1976	M 115.951	4	0,7	BP06
230.6 (R)	(114)	2.3 88	01.1968-11.1976	M 100.949/955	6	0,8	BP06
250	(114)	2.5 96	1967- 1970	M 114	6	0,8	BP06
250	(129)	2.5 95	02.1976-07.1985	M 122.920/921	4	0,7	BP06
250 (R)	(114)	2.5 96	06.1972-11.1976	M 130.923/923	6	0,7	BP06
250 (R)	(114)	2.5 96	01.1968-02.1971	M 114.020/923	6	0,7	BP06
250 S/300W114	(114)	2.5 96	06.1972-11.1976	M 130.923	6	0,7	BP06
250 C	(114)	2.5 96	1968- 1973	M 114.020	6	0,8	BP06
250 CE	(114)	2.5 110	1968- 1972	M 114.980	6	0,8	BP06
250 S	(109)	2.5 96	08.1965- 1960	M 129.980	6	0,8	BP06
250 SE	(109)	2.5 110	08.1965- 1968	M 129.980	6	0,8	BP06
250 SE	(111)	2.5 110	08.1965- 1967	M 129.980/981	6	0,8	BP06
250 SL	(113)	2.5 100	01.1946-06.1960	M 129.982	6	0,8	BP06
„Papier“	(113)	2.5 110	02.1976-08.1980	M 110.923	6	0,7	BP06
280 (R)	(114)	2.8 119	06.1972-11.1976	M 130.921/921	6	0,7	BP06
280 C/300W114	(114)	2.8 119	06.1972-02.1977	M 110.921	6	0,7	BP06
280 SE (R/0114)	(114)	2.8 136	06.1972-06.1977	M 110.981	6	0,8	BP06
280 E	(129)	2.8 130	02.1976-11.1985	M 110.984/988	6	0,8	BP06
280 E (R)	(114)	2.8 136	06.1972-11.1976	M 110.981/991	6	0,7	BP06
280 S	(109)	2.8 105	10.1967-01.1972	M 102.920/921	6	0,8	BP06
280 S	(118)	2.8 115	01.1976-12.1979	M 110.922	6	0,7	BP06
280 S	(129)	2.8 115	12.1979-07.1985	M 110.924/926	6	0,7	BP06
280 SE (W11)	(111)	2.8 147	01.1980-03.1971	M 116.980	6	0,8	BP06
280 SE	(111)	2.8 118	01.1968- 1971	M 130.980	6	0,8	BP06
280 SESEL	(109)	2.8 119	01.1968-08.1972	M 130.980/924	6	0,8	BP06
280 SESEL	(118)	2.8 130	08.1976-07.1980	M 110.985	6	0,7	BP06
280 SESEL	(118)	2.8 136	08.1972-02.1980	M 110.983	6	0,8	BP06
280 SESEL	(129)	2.8 136	10.1979-07.1985	M 110.987/989	6	0,7	BP06
280 SESEL 3.5	(109)	3.5 147	01.1968-08.1972	M 116.980/990	6	0,8	BP06
280 SL	(107)	2.8 120	06.1970-07.1980	M 110.982/980	6	0,7	BP06
280 SL „Papier“	(113)	2.8 125	01.1968-03.1971	M 130.983	6	0,8	BP06
280 SL	(107)	2.8 130	06.1976-09.1981	M 110.982/986	6	0,8	BP06
300 D Adresser	(189)	3.0 119	04.1961- 1962		6	0,8	BP06
300 E	(129)	3.0 130	01.1965-04.1966	M 103.980	6	0,8	BP06
300 SE	(112)	3.0 119	00.1961- 1965	M 100.984/985	6	0,8	BP06
300 SE Coupe	(109)	3.0 125	08.1965- 1967		6	0,8	BP06
300 SESEL	(109)	3.0 125	08.1965- 1967		6	0,8	BP06
300 SEL	(109)	3.0 125	1967- 1970	M 130	6	0,8	BP06
300 SEL	(109)	3.5 147	01.1970-07.1972	M 116.981	6	0,7	BP06
300 SEL 3.5	(109)	3.5 110	03.1971-06.1972	M 130.981	6	0,8	BP06
300 SEL 6.3	(109)	6.3 164	03.1968-08.1972	M 100.981	6	0,7	BP06
300 SL Coupe (Fliegenliner)	(189)	3.0 119	1954- 1957		6	0,8	BP06
300 SL Roadster	(196)	3.0 150	03.1957-02.1960	M 100.980	6	0,8	BP06
300	(129)	3.0 80	01.1976-08.1980	M 115.955/972	4	0,7	BP06
350 SESEL	(118)	3.5 143	03.1976-03.1980	M 116.985	6	0,7	BP06
350 SESEL	(118)	3.5 147	08.1972-02.1976	M 116.983	6	0,7	BP06
350 SLSL	(107)	3.5 144	03.1976-02.1980	M 116.982/984	6	0,7	BP06
380	(129)	3.8 150	12.1978-08.1985	M 116.981/983	6	0,7	BP06
380 SLSL	(107)	3.8 160	07.1980-08.1985	M 116.980/982	6	0,7	BP06
400	(129)	4.0 100	01.1976-08.1980	M 115...	6	0,7	BP06
450 SESEL	(118)	4.5 161	12.1975-04.1980	M 117.985	6	0,7	BP06
450 SESEL	(118)	4.5 161	08.1972-07.1980	M 117.983	6	0,7	BP06
450 SL	(107)	4.5 161	08.1975-10.1980	M 117.982/985	6	0,7	BP06
450 SLC	(107)	4.5 161	08.1975-10.1980	M 117.982/985	6	0,7	BP06
450 SLC 5.0	(107)	5.0 177	06.1978-02.1980	M 117.980	6	0,7	BP06
500 SLC	(107)	5.0 177	03.1980-09.1981	M 117.980	6	0,7	BP06
600	(109)	6.0 194	09.1964-01.1971	M 100.980	6	0,7	BP06

The tablet shows parts of the manufacture references. An evasion to neighbor heat range can be made, it belongs to the conditions of use and the engine itself. Bosch: high code number = hot sparkplug = fast burn Bosch: low code number = cold sparkplug = low risk of glow ignition  
NGK: R E V E R S E

215018ff Spark plug, NGK
--------------------------

# 18 Engine Lubrication

## 18 Engine Lubrication

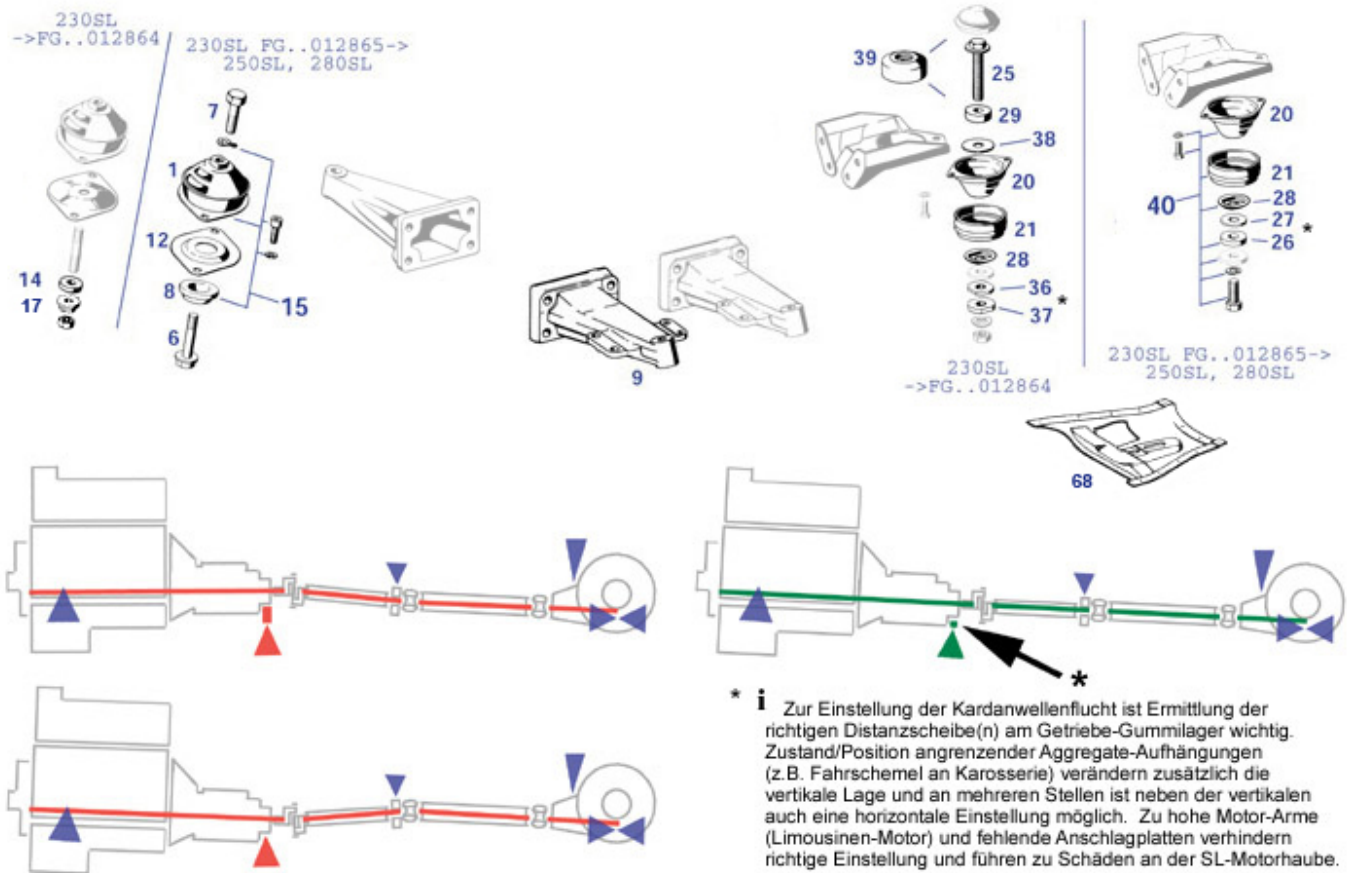


1	Oil filler cap, metal/snap-on	<a href="#">250702</a>	12,85 €	1	Oil filler cap,	<a href="#">250802</a>	10,95 €
	Oil filter incl. gasket, 1959-> "MANN"	<a href="#">118042</a>	13,69 €	1	Oil filter 190 SL, 230-280 SL; No Name	<a href="#">118842</a>	4,99 €
2	Ring, sealing, filter/housing	<a href="#">118009</a>	1,24 €	3	Ring, pressure, in hsg., lower	<a href="#">118045</a>	5,57 €
4	Ring, filter housg, upper	<a href="#">118043</a>	2,48 €	9	Gasket, upr.filter hsg./engine	<a href="#">118008</a>	1,69 €
21	Oil cooler, 280SL FN, Alu Repro	<a href="#">250011</a>	214,80 €	21	Oil cooler, 280SL FN, Alu Repro	<a href="#">250811</a>	303,45 €
22	Pipe,oil, 230/250 heat exchanger	<a href="#">218012</a>	350,00 €	27	Oilpipe, upper, 250SL (and 230 if heat-exchange)	<a href="#">218013</a>	122,00 €
33	Lower Oil Hose 280SL (,late)   hex 22/27	<a href="#">218010</a>	71,00 €	33	Hose,o/c,280SL,lower,early hex27/2	<a href="#">218008</a>	70,89 €
34	Upper Oil Hose 280SL (,late)   hex 22/27	<a href="#">218011</a>	46,99 €	34	Oil hose, upper, 280SE (W108) early	<a href="#">818009</a>	71,39 €
34	Hose,o/c,280SL,upr.,early hex27/2	<a href="#">218009</a>	52,37 €	39	bracket, oil pipes M130	<a href="#">218287</a>	30,58 €
40	Oil pump in exchange, 230S/SL	<a href="#">218422</a>	1.059,99 €	40	Oil pump 230S/SL	<a href="#">218432</a>	1.259,50 €
44	hex bolt M6 X 75 e.g. for oilpump, late version	<a href="#">218498</a>	1,02 €	44	Gasket,oil pump housing	<a href="#">118005</a>	14,28 €
44	Hex.bolt M6X50 e.g. for oilpump	<a href="#">218497</a>	0,76 €	47	Clamp, e.g. wiring, inner width 15mm	<a href="#">254069</a>	5,65 €
48	bracket, oil pipe M130 near pump flange	<a href="#">218286</a>	30,58 €	49	bracket, oil pipe, M130	<a href="#">218288</a>	30,58 €
53	Seal Ring   gear box drain plug	<a href="#">226047</a>	0,54 €	54	Plug screw M24 e.g. pressure valve	<a href="#">218816</a>	29,75 €
62	Screw plug, oil valve	<a href="#">218819</a>	27,25 €	63	Seal ring f. bolt 705004	<a href="#">705005</a>	0,68 €
63	Seal ring 18x22 Al	<a href="#">109019</a>	0,94 €	70	Valve,oil o/pressure, 280SL	<a href="#">218100</a>	38,50 €



## 22 Enginemounts

22 Enginemounts

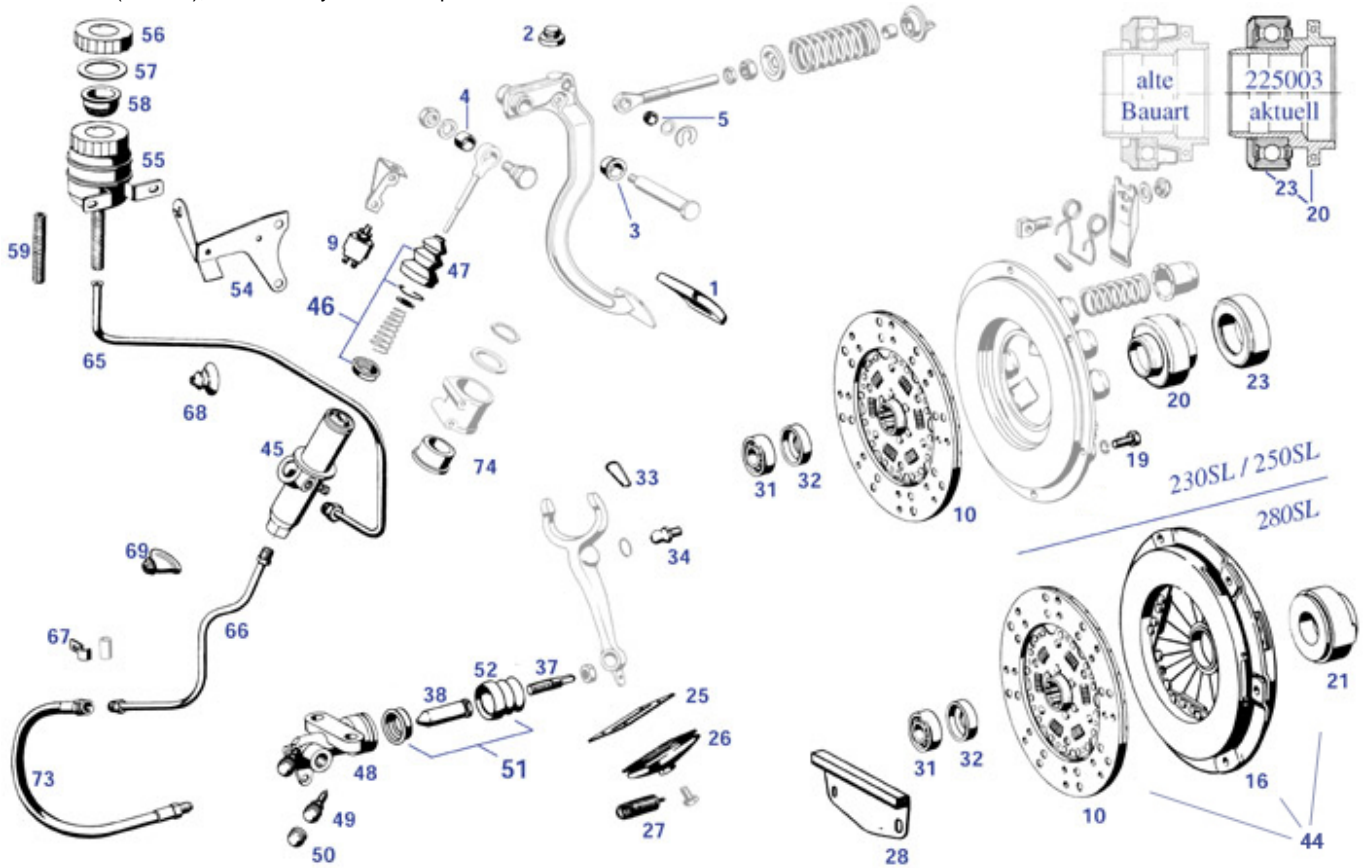


bits2	Bolt engine mount rear	<a href="#">222024</a>	1,54 €	bits3	Spring washer	<a href="#">222005</a>	0,44 €
bits	galvanized M8 Nut   N004032008005	<a href="#">222026</a>	0,21 €	bits	Screw engine mount rear	<a href="#">222025</a>	0,80 €
bits	galvanized Spring washer M8	<a href="#">233059</a>	0,21 €	bits3	Bolt, eng.mounting/chassis	<a href="#">222004</a>	0,64 €
1	Enginemountfrt.6-cyltypes	<a href="#">222010</a>	60,00 €	6	Bolt 57mm, rebound eng mount lower	<a href="#">222006</a>	25,73 €
7	Bolt, engine support/mounting	<a href="#">222007</a>	1,08 €	7	Spring washer,M12, rr axle, eng.mount	<a href="#">235314</a>	0,60 €
8	Rebound buffer	<a href="#">222009</a>	2,53 €	9	Support,engine,front,Lt. 230-280SL,Repro	<a href="#">222813</a>	232,05 €
12	Plate ,eng mount,front,late	<a href="#">222030</a>	55,00 €	14	Rubber shim 5mm eng support buffer	<a href="#">122039</a>	2,08 €
17	Bundmutter, Anschlag Motorlager	<a href="#">222039</a>	5,71 €	20	Engine mount 190SL left, R113 rear OE	<a href="#">122915</a>	79,99 €
21	Bellows, rear eng.mount	<a href="#">122830</a>	10,13 €	25	Bolt,rr.eng.mount 220SE/230SL early	<a href="#">222021</a>	13,66 €
25	Bolt L=80mm, 230SL-FN, rear mount	<a href="#">222027</a>	8,35 €	26	Steel distance washer 5mm, e.g.rr eng	<a href="#">222022</a>	10,88 €
27	Rubbershim	<a href="#">322039</a>	1,20 €	27	Shim,1 mm, rr.eng.mounts,if required	<a href="#">222023</a>	3,49 €
28	Plate, bellows @ engine mount	<a href="#">122035</a>	9,53 €	39	Rubberbuffer/bellow	<a href="#">322035</a>	5,15 €
40	Rep.-kit rr eng mount '66 - '71 / incl. OEM engine mount	<a href="#">222820</a>	113,53 €	68	Spring washer, u/j bolt	<a href="#">235303</a>	0,42 €
68	hex head screw M10 X 20, 10.9 zinc plated	<a href="#">235315</a>	1,40 €	68	lower plate, tunnel closure + gearbox carrier, Repro	<a href="#">268603</a>	737,80 €

## 25, 26 Clutch + 4-Speed-Box

### 25.a Clutch (manual), mechanic/hydraulic components

25.a Clutch (manual), mechanic/hydraulic components

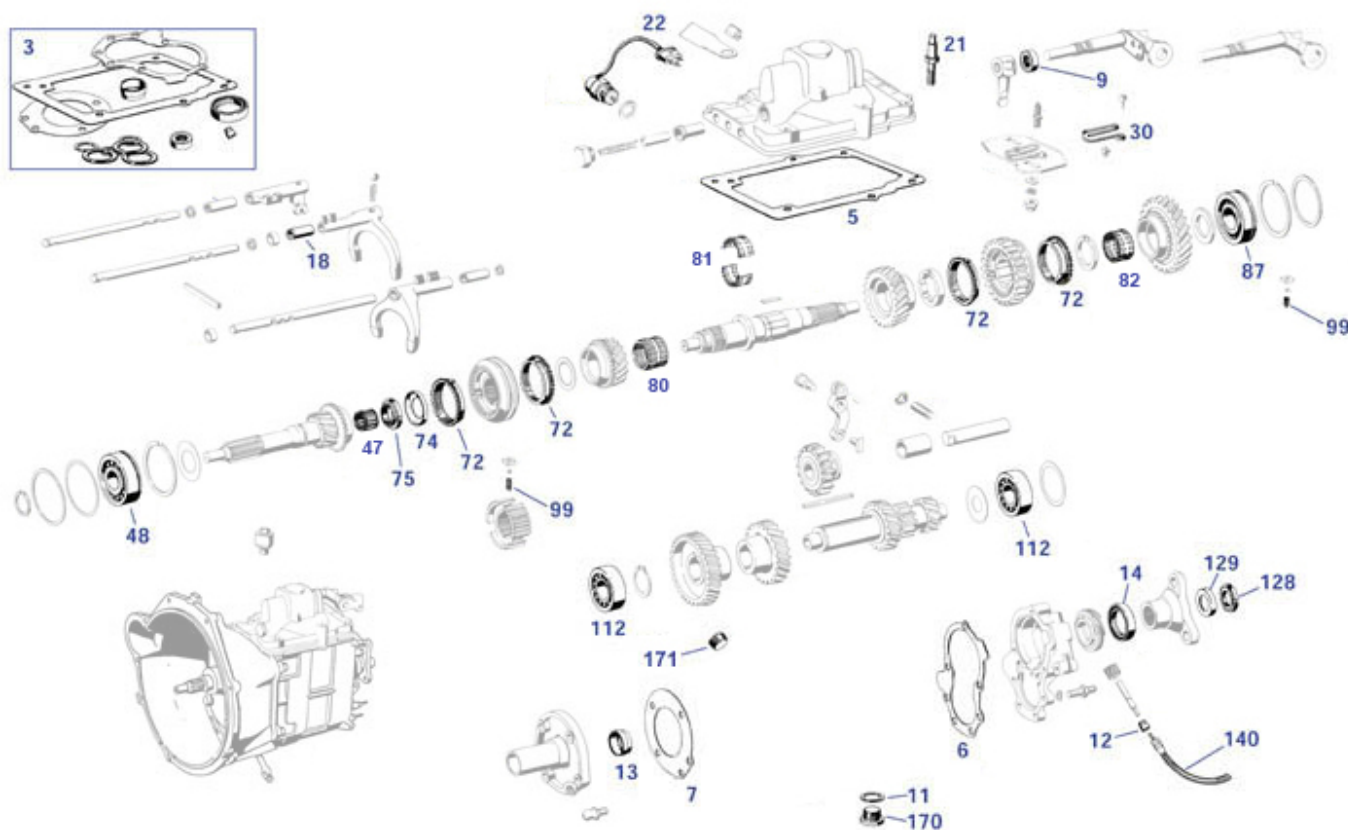


	Clutch disc 230SL; 228mm	<a href="#">225700</a>	55,39 €		Cl. rel. bearing 280E/SE +body; not w113	<a href="#">225804</a>	70,00 €
1	Rubber pad, brake and clutch pedal, no name	<a href="#">229005</a>	4,71 €	4	Nut, M8x1 slim, e.g. throttle shafts,...	<a href="#">107036</a>	0,56 €
5	A1102910750 Bush, clutch return spring	<a href="#">229028</a>	23,50 €	9	A0015450211 Contact switch, glovebox	<a href="#">254101</a>	402,03 €
10	Mounting aid clutch alignment	<a href="#">258250</a>	94,00 €	10	Clutch disc R113, 107-2.8 4-speed LUK	<a href="#">225800</a>	214,50 €
10	Clutch disc R113; 107-2.8 4-speed, F&S	<a href="#">225000</a>	210,69 €	16	Clutch pressure plate 280SL	<a href="#">225002</a>	174,19 €
19	Bolt 8x22, clutch plate	<a href="#">233064</a>	0,37 €	20	T/O bearing+bushing 250/280SL +sev 6-Cy	<a href="#">225803</a>	219,19 €
21	F+S 3151137101 Clutch bearing 280SL-113 H30*	<a href="#">225004</a>	337,17 €	21	Clutch bearing 280SL-113 H30* Repro ref 3 151 137 101	<a href="#">225704</a>	297,50 €
23	T/O bearg. w/o sleeve 6-cyl 62-65	<a href="#">425007</a>	83,30 €	23	Release bearing fits sleeve '65-'68	<a href="#">225807</a>	88,95 €
25	Seal holder, c.r.m.	<a href="#">225010</a>	11,84 €	26	Dust boot, rubber, @ clutch lever	<a href="#">125005</a>	5,94 €
27	A1119931110 Spring, c.r.m. 230-250SL	<a href="#">225011</a>	6,33 €	28	Plate , cover, gearbox case	<a href="#">225056</a>	33,97 €
30	-NL- Ausrückgabel 230-280SL	<a href="#">225081</a>	354,08 €	31	Pilot bearing	<a href="#">103093</a>	19,52 €
32	Cover, pilot bearing	<a href="#">103094</a>	1,81 €	33	Spring clamp	<a href="#">125013</a>	19,85 €
34	A1119910015 Ball pin, all from G.006111	<a href="#">225012</a>	43,90 €	38	Bolt, clutch slave cyl, 230-250SL, ..	<a href="#">229070</a>	30,26 €
44	clutch-set 1968 - 280, 4gear shift	<a href="#">225702</a>	499,80 €	45	Clutch master cylinder, 250S/SE/SL, FTE	<a href="#">229009</a>	252,22 €
45	Clutch master cylinder, 250S/SE/SL, No Name	<a href="#">229809</a>	86,22 €	45	Clutch master cylinder, 280SL	<a href="#">229004</a>	279,00 €
46	Cl.mast.cyl. rpr.kit 230SL, fits FTE+MB	<a href="#">229035</a>	39,98 €	48	Clutch slave cylinder 280SL	<a href="#">229003</a>	284,99 €
48	see 229003	<a href="#">229803</a>	63,08 €	48	Clutch slave cyl. 230-250SL	<a href="#">229002</a>	196,35 €
49	Bleeder screw, '58->, M6	<a href="#">143012</a>	9,98 €	50	Bleeder valve cap, brake, steering	<a href="#">143041</a>	2,56 €
51	Slave cyl.rep.kit 280SL	<a href="#">229033</a>	36,00 €	51	Slave cyl.rep.kit 250SL from.	<a href="#">229031</a>	30,35 €

51	Slave cyl.rep.kit 230SL, 250SL ->G01289	<a href="#">229032</a>	29,99 €	54	3pcs-assy Bracket, clutch+waterreservoir	<a href="#">229086</a>	61,29 €
55	Reservoir, cl. hyd. fluid	<a href="#">220102</a>	100,00 €	56	A0004315433 Reservoir cap	<a href="#">143023</a>	14,52 €
65	Pipe, clutch hydraulic, rpl.ver.	<a href="#">229007</a>	39,98 €	66	Pipe, Cl mast.->ho. 250-280LHD M12 thread	<a href="#">229011</a>	44,57 €
66	Pipe, lower,c.r.m. 230SL LHD, M14 thread	<a href="#">229012</a>	50,62 €	67	Clamp,small,e.g.hydraulicpipe	<a href="#">229027</a>	3,65 €
68	Rubbergrommet at firewall	<a href="#">299002</a>	3,05 €	69	Grommet, 6/27mm,45° hydr.line clutch	<a href="#">298787</a>	2,82 €
69	Grommet 6/26, 45°, e.g. hydr-line clutc	<a href="#">299001</a>	2,68 €	73	Hose,clutch slave.cyl. 230SL, 213mm, M14/F14	<a href="#">229010</a>	47,60 €
73	Clutch hose 250/280SL M14/W12	<a href="#">229713</a>	18,90 €	98	Hexagonal nut 10 M8, galv. Verz.	<a href="#">990101</a>	0,15 €
98	Bolt M8, eg bellhouse at slave cylinder	<a href="#">299229</a>	4,30 €	98	Spring washer	<a href="#">222005</a>	0,44 €

## 26.a Gearbox (manual)

### 26.a Gearbox (manual)

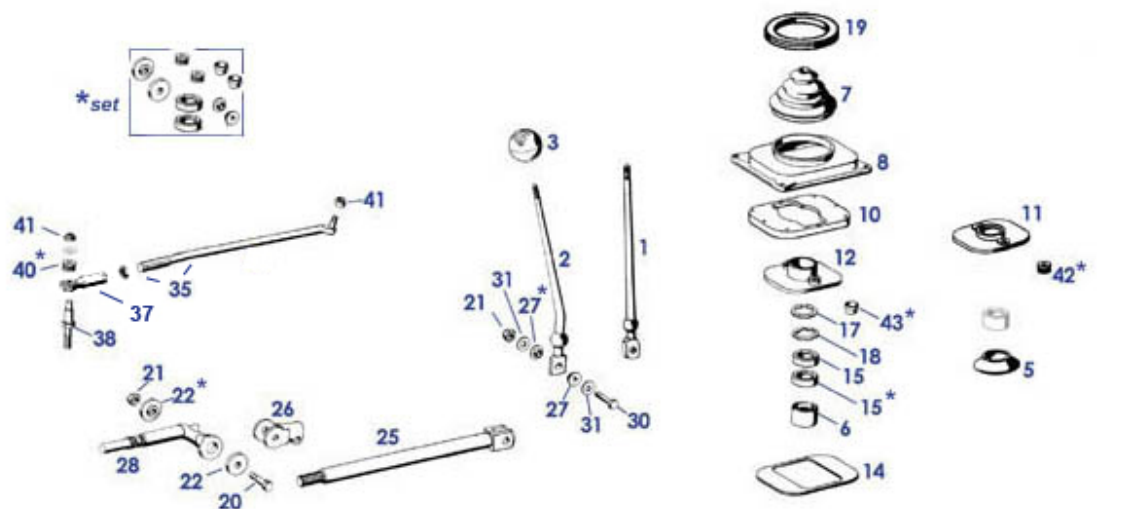


3	washer 7,4 X 14 X 1,6 zinc plated	<a href="#">226124</a>	0,14 €	3	Synchronizing ring, per piece	<a href="#">226750</a>	89,90 €
5	gear bearing set, 8pcs.	<a href="#">226860</a>	809,20 €	6	Gasket set 5-speed ZF, late 280	<a href="#">226295</a>	232,05 €
6	Trans. top cover gasket 025118	<a href="#">126015</a>	7,60 €	7	Gasket, gear box rear	<a href="#">226112</a>	12,30 €
7	Gasket, gear box rear	<a href="#">226712</a>	12,30 €	7	Gkt.gear box fr. 250-280SLFN	<a href="#">226749</a>	10,70 €
7	Gkt. gear box front, -> 09.64	<a href="#">126719</a>	11,89 €	7	Gkt.gear box front, 230SL from G 006111, 250-280SL	<a href="#">226049</a>	11,42 €
7	Gkt. gear box front, -> 09.64	<a href="#">126019</a>	12,95 €	9	Seal ring gear link / housg-top	<a href="#">226012</a>	3,68 €
11	Seal Ring   gear box drain plug	<a href="#">226047</a>	0,54 €	12	Seal ring speedo/rev drive	<a href="#">126039</a>	4,88 €
12	rubber seal, speedo cable, if flange with furrow, large	<a href="#">254119</a>	10,71 €	13	Seal ring e.g. gear driveshaft IN, OD=3	<a href="#">126042</a>	4,25 €
13	Seal ring man-gear driveshaft, OD=47mm	<a href="#">526042</a>	3,68 €	14	Seal @ transmission	<a href="#">126030</a>	7,31 €
18	Sleeve, selector rod	<a href="#">226164</a>	3,05 €	21	Bold, gear box top, from 12.65	<a href="#">226144</a>	16,72 €
21	Bolt, shift shaft bearing ->11.65	<a href="#">226142</a>	17,78 €	23	Spring clip for Rt.+Lt. cable	<a href="#">254071</a>	0,83 €
23	contact pin 4mm brass silver plated	<a href="#">754956</a>	0,60 €	23	Part of housg. 2-pole connector w.nose	<a href="#">754955</a>	3,75 €
25	hex.socket head cap screw M7X20	<a href="#">233074</a>	3,96 €	30	Spring at shift link	<a href="#">126014</a>	14,33 €

	fits to 233077					
47	Roller cage bearing, copper version	<a href="#">226056</a>	59,45 €	72	Synchronizing ring, per piece, Repro, nose-width 10mm	<a href="#">226050</a> 26,18 €
72	Synchronring	<a href="#">226850</a>	64,38 €	73	Synchronizer body for 3rd & 4th gear	<a href="#">126070</a> 823,88 €
74	Lock washer,nut, main sht. fr.	<a href="#">226054</a>	3,25 €	75	Nut, main shaft M26x1,5	<a href="#">226055</a> 15,92 €
78	Sync. inner mech. ->280SL CN.001679	<a href="#">226160</a>	121,12 €	80	Needle bearing, 3rd gear,23	<a href="#">226057</a> 171,35 €
81	needle bearing set, main shaft	<a href="#">226058</a>	255,28 €	82	needle bearing main shaft for 1st gear	<a href="#">226061</a> 235,00 €
87	Ball bearing, main shaft	<a href="#">226859</a>	48,93 €	87	Set main roller beargs 5-speed ZF	<a href="#">226297</a> 428,40 €
87	Ball bearing, drive shaft, 5-speed box 35x80x21	<a href="#">226559</a>	24,72 €	87	Ball bearing, main shaft	<a href="#">226959</a> 100,16 €
99	Spring, Synchromesh mechanism	<a href="#">226151</a>	1,25 €	99	steel ball 6,5 acc. to DIN5401	<a href="#">226152</a> 0,50 €
100	-NL- Vorg.Welle 230SL G..011320->012575	<a href="#">226146</a>	357,00 €	112	Bearing gear ratio shaft	<a href="#">226876</a> 24,51 €
112	ball bearing countershafts, 25x62x17	<a href="#">226076</a>	58,49 €	116	Reverse shaft	<a href="#">126045</a> 30,94 €
128	Set 3 pcs tools, fitting MB grooved nut	<a href="#">258260</a>	285,60 €	128	Nut, flange, M24x1,5	<a href="#">126072</a> 21,00 €
129	Lock for 3 way flange	<a href="#">126871</a>	4,33 €	140	Speedo flex shaft,manual	<a href="#">254100</a> 38,35 €
150	Gearbox cover,upper 230-280SL	<a href="#">226200</a>	1.041,25 €	158	A1119910015 Ball pin, all from G.006111	<a href="#">225012</a> 43,90 €
170	Plug screw with collar, M24	<a href="#">226046</a>	2,45 €	171	Plug screw M22 with collar	<a href="#">114035</a> 24,61 €

## 26.b Gearlever Linkage

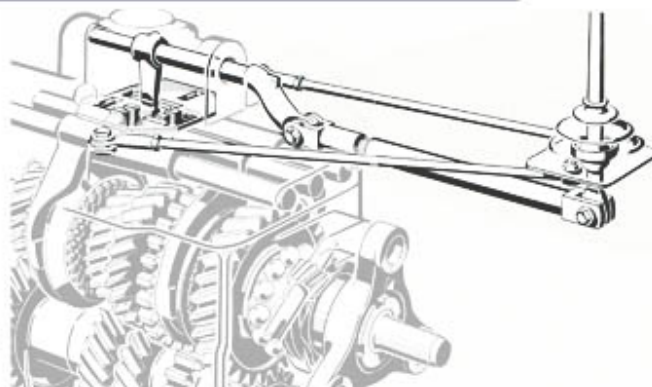
26.b Gearlever Linkage



**i**



Spiel am Schalthebel kann in den meisten Fällen durch Gestängewartung behoben werden. Fehlt das Zurückfedern aus den seitlichen Positionen vollständig, sollte die Führung innerhalb des Getriebes untersucht werden.

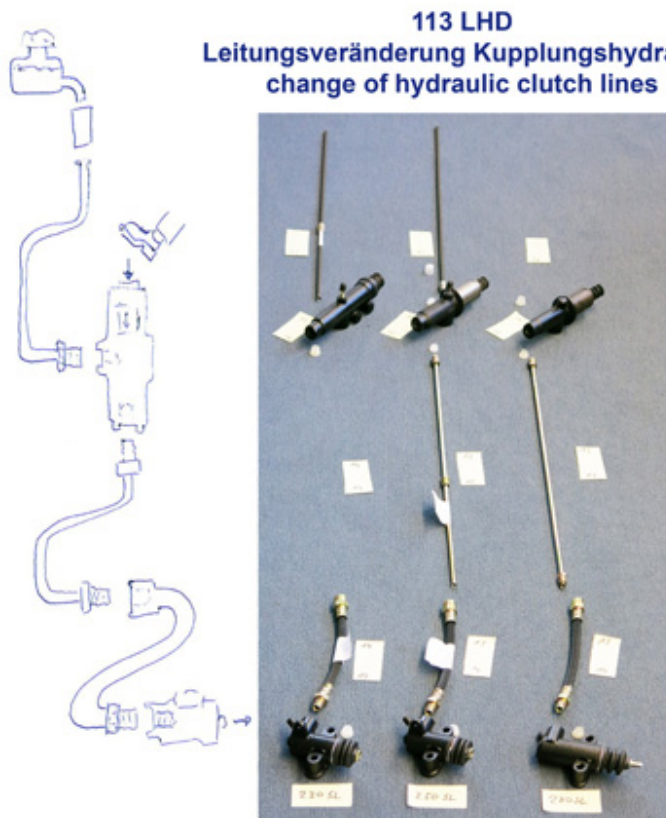


2	Spring at shift link	<a href="#">126014</a>	14,33 €	1	Gear/Shifting leverFN	<a href="#">226020</a> 266,83 €
	Shift lever .042 014259->, 043,044	<a href="#">226026</a>	297,02 €	3	Gear lever knob,black,4 speed, Repro	<a href="#">226000</a> 46,34 €
3	Knob ivory, 4-speed, push-on, Repro	<a href="#">226002</a>	45,80 €	5	Seal boot 230SL early	<a href="#">226014</a> 4,26 €
6	Seal boot FN	<a href="#">226005</a>	4,26 €	7	Seal boot on gear lever	<a href="#">226007</a> 8,39 €

8	Cover, gear lever support 113, 111	<a href="#">226015</a>	53,49 €	10	Rubber frame shift console	<a href="#">226816</a>	9,94 €
12	Gear lever support from 11.'65	<a href="#">226018</a>	70,03 €	14	Buffer plate, lever support,lower	<a href="#">226019</a>	8,19 €
15	Bushing pan gear lever	<a href="#">226833</a>	7,44 €	17	A0009947041 Lock ring on gear lever	<a href="#">226053</a>	3,70 €
18	Spring washer	<a href="#">126055</a>	12,25 €	19	Grommet, gearlever @ carpet	<a href="#">268675</a>	8,93 €
20	Bolt M7, lever link front eyes	<a href="#">226023</a>	15,89 €	21	Nut M7, self locking	<a href="#">226024</a>	1,24 €
22	Bushing gear lever rod	<a href="#">126811</a>	7,20 €	25	Gear shift rod, repro	<a href="#">226027</a>	270,40 €
26	Fork flange, shifting rod	<a href="#">226025</a>	197,60 €	27	Bushing Gear Linkage (required 4x)	<a href="#">126012</a>	3,50 €
30	Bolt M7, e.g. gear lever from VIN ..42-10-004926	<a href="#">226034</a>	0,96 €	30	Bolt, e.g. shift linkage up to ..42-10-004925	<a href="#">226035</a>	10,56 €
31	Washers, gear lever end bolt, ref.-No. A1119903540	<a href="#">226028</a>	10,91 €	35	Reaction rodFN 230 SI after 014259, 250+280 all	<a href="#">226036</a>	199,19 €
37	Banjo fitting, lever support bars, 230 from 014259, 250+280 all	<a href="#">226038</a>	131,94 €	38	Bolt, shift shaft bearing ->11.65	<a href="#">226142</a>	17,78 €
38	Bold, gear box top, from 12.65	<a href="#">226144</a>	16,72 €	40	Bushing .042 from ..14259, 043,044	<a href="#">226741</a>	13,47 €
42	Bushing at Gearb. up to .042->014258	<a href="#">226009</a>	4,75 €	43	Bushing support strut   1966 ->	<a href="#">226813</a>	11,29 €

## 29.i Info Veränderung der Hydraulikteile

29.i Info Veränderung der Hydraulikteile



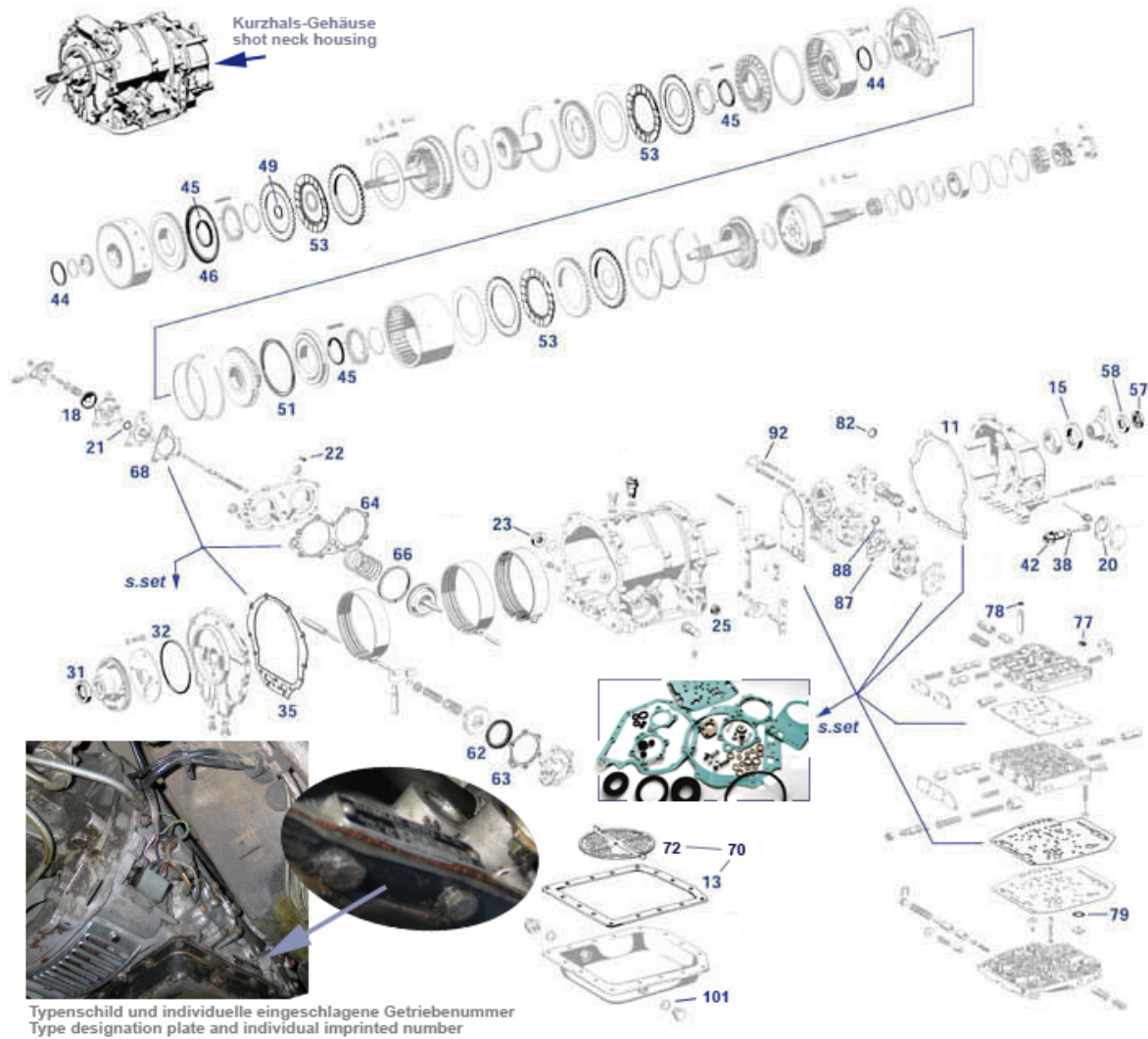
	LHD	LHD	LHD
	230SL	250SL	280SL
Verb.-Schlauch Vorrat an obere Leitung Connection Hose Reservoir to upper Pipe	<a href="#">229001</a>	<a href="#">229001</a>	<a href="#">229001</a>
Rohrleitung Vorrat an Geberzylinder Pipe Reservoir to CL-Mastercylinder	<a href="#">229007</a>	<a href="#">229007</a>	<a href="#">229021</a>
Hydraulik-Gewinde Hydraulic Connection Thread	M12	M12	M14
Geberzylinder CL-Mastercylinder	<a href="#">229808</a>	<a href="#">229009</a>	<a href="#">229804</a>
Hydraulik-Gewinde Hydraulic Connection Thread	M14	M12	M12
Rohrleitung Geberzylinder an Schlauch Pipe CL-Mastercylinder to flexible Hose	<a href="#">229012</a>	<a href="#">229011</a>	<a href="#">229029</a>
Hydraulik-Gewinde Hydraulic Connection Thread	M14	M12	M12
Druckschlauch flexible pressure Hose	<a href="#">229810</a>	<a href="#">229813</a>	<a href="#">229813</a>
Hydraulik-Gewinde Hydraulic Connection Thread	M14	M14	M14
Nehmerzylinder Clutch Slave Cylinder	<a href="#">229802</a>	<a href="#">229802</a>	<a href="#">229803</a>

229007	Clutch slave cylinder 280SL	<a href="#">229003</a>	284,99 €	229009	Clutch master cylinder, 280SL	<a href="#">229004</a>	279,00 €
	Pipe, clutch hydraulic, repl.ver.	<a href="#">229007</a>	39,98 €		Clutch master cylinder, 250S/SE/SL, FTE	<a href="#">229009</a>	252,22 €
229011	Pipe, Cl mast.->ho. 250-280LHD M12 thread	<a href="#">229011</a>	44,57 €	229012	Pipe, lower,c.r.m. 230SL LHD, M14 thread	<a href="#">229012</a>	50,62 €
229802	Clutch slave cyl. 230-250SL	<a href="#">229002</a>	196,35 €	229803	see 229003	<a href="#">229803</a>	63,08 €
229810	Hose,clutch slave.cyl. 230SL, 213mm, M14/F14	<a href="#">229010</a>	47,60 €	229813	Clutch hose 250/280SL M14/W12	<a href="#">229713</a>	18,90 €

## 27 Automatic Gearbox

### 27.a Automatic Gearbox

27.a Automatic Gearbox

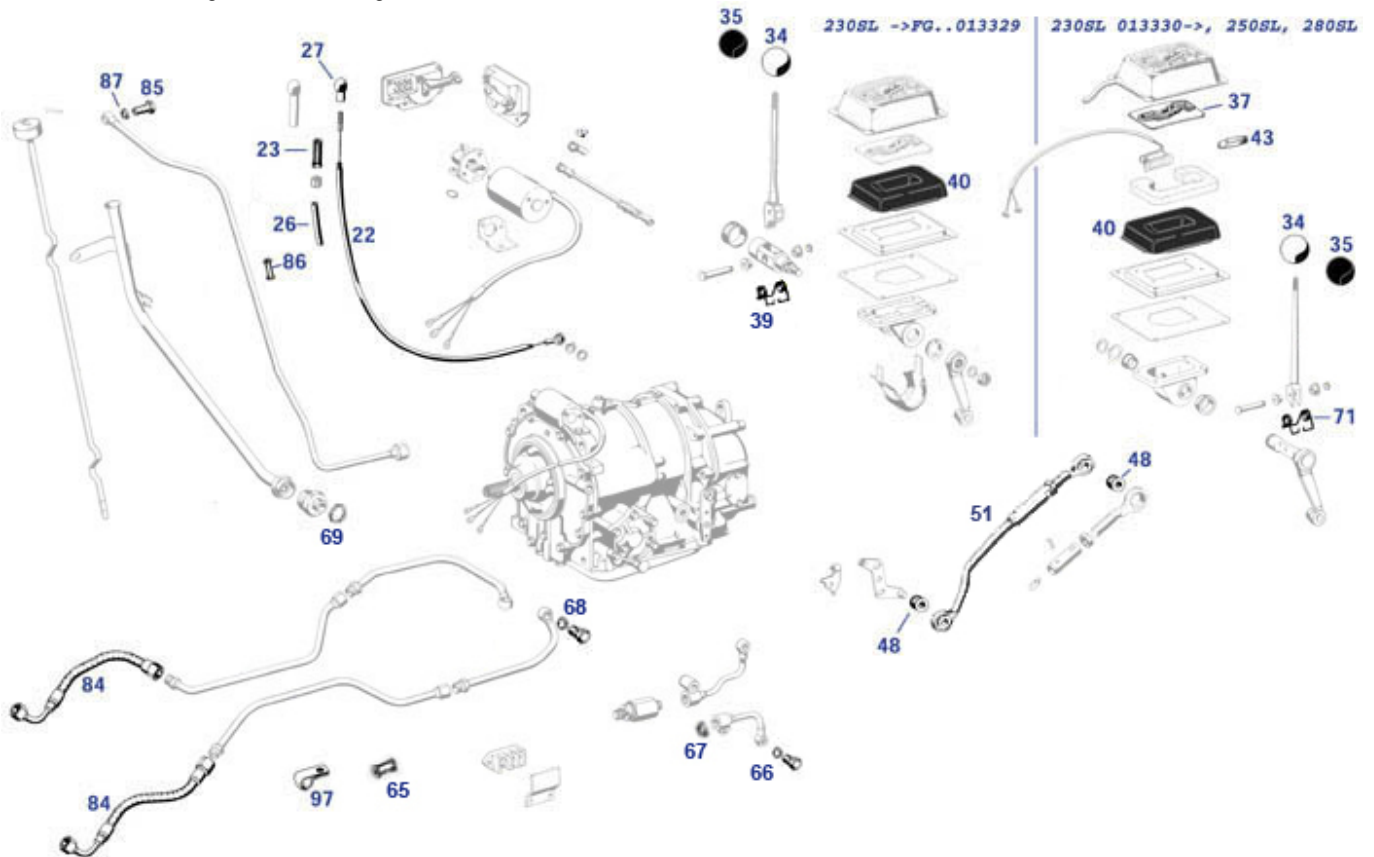


	see 227252	<a href="#">227800</a>	291,55 €		Seal ring at autom.clutches ref A1152720692	<a href="#">227246</a>	8,75 €
	hollow bolt M12, e.g. @autom gear lines	<a href="#">107141</a>	10,59 €		Metal clutch plate, outer, autom., 3mm	<a href="#">727223</a>	16,24 €
	Metal clutch plate, outer, autom., 4mm	<a href="#">727224</a>	16,24 €	11	A1122711480 Gasket,auto g.b. Rear	<a href="#">227180</a>	7,18 €
13	Gasket, sump, autom.gearbox	<a href="#">227004</a>	3,63 €	13	Gasket, sump, autom.gearbox	<a href="#">227704</a>	3,50 €
15	Seal ring 250/280SL e.g. autm. rr 38x62	<a href="#">227042</a>	6,25 €	15	Oil seal ring, rear Autm,230SL,111 earl	<a href="#">227041</a>	8,20 €
18	Diaphragm, pressure regulato	<a href="#">227820</a>	23,80 €	19	Gasket, vacuum cylinder, ref.-No. A1102770180	<a href="#">227280</a>	7,35 €
20	Gasket, speedo drive/cover, ref.No. A1122740180	<a href="#">227029</a>	3,87 €	21	'O' ring	<a href="#">227027</a>	0,58 €
31	Seal ring, primary pump, au.	<a href="#">227045</a>	6,62 €	32	'O' ring, primary pump, autm.	<a href="#">227047</a>	2,31 €
35	Gasket set, Repro, autm. transm.	<a href="#">227252</a>	134,83 €	42	rubber seal, speedo cable, if flange with furrow, small	<a href="#">254118</a>	10,89 €
42	Flange, speedo cable / autm, improved	<a href="#">227826</a>	169,93 €	45	Disc, autom.	<a href="#">227848</a>	13,09 €
53	friction disc 113 autom. 2.2mm	<a href="#">227225</a>	19,24 €	53	Metal clutch plate, outer, autom., 2mm	<a href="#">227224</a>	11,88 €
53	Metal clutch plate, outer, autom., 3,5mm	<a href="#">727226</a>	16,24 €	57	Nut, flange, M24x1,5	<a href="#">126072</a>	21,00 €
58	Lock for 3 way flange	<a href="#">126871</a>	4,33 €	62	Ring, sealing lip, ref. A 112 277 0192	<a href="#">227832</a>	13,09 €

70	Oil filter w/o seals, from G 006750	<a href="#">227805</a>	55,75 €	72	Saling strip @ oil filter	<a href="#">227019</a>	5,58 €
77	A1122770392 Seal ring, autm.control uni	<a href="#">227867</a>	4,76 €	78	Gasket, change lever housing	<a href="#">227063</a>	0,56 €
79	A0059974145 Sealing ring, change lever	<a href="#">227069</a>	0,60 €	82	'O' ring, speedo drive	<a href="#">227037</a>	0,58 €

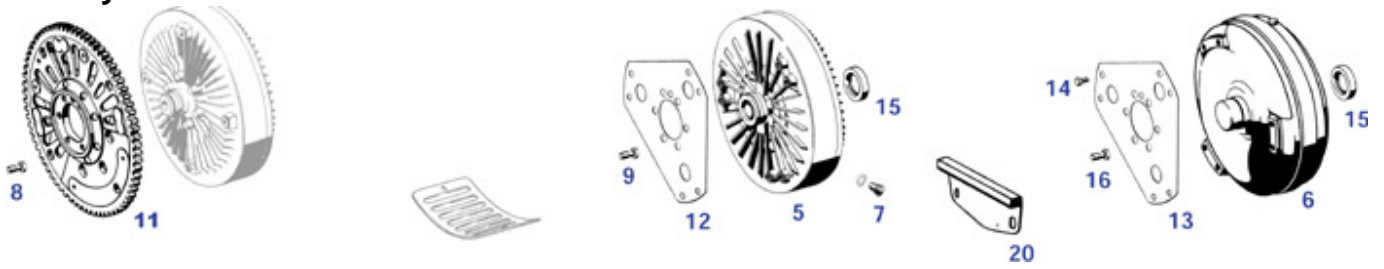
## 27.b Automatic: Linkage and Connecting Parts

27.b Automatic: Linkage and Connecting Parts



	clamp	<a href="#">107043</a>	17,14 €	22	bowden cable for reverse light, R113 Au	<a href="#">227803</a>	37,06 €
23	Adjustable Sleeve for Gear Shift Cable - Automatic	<a href="#">227032</a>	20,10 €	26	rubber hose, protection, 1m	<a href="#">799909</a>	1,00 €
29	A0005466541 Terminal block, 3 pole	<a href="#">254064</a>	29,99 €	33	A1123040060 Sealing ring, solenoid	<a href="#">227062</a>	6,93 €
34	Handle,gearshift,ivory	<a href="#">226003</a>	46,34 €	35	Handle,gearshift,black	<a href="#">226001</a>	51,25 €
37	Plastic inlay, shift gate R113, "P" rear	<a href="#">226101</a>	17,45 €	37	Plastic inlay, shift gate R113, "P" rear	<a href="#">226201</a>	20,85 €
39	Spring, Autom lever base from ca 09.'65	<a href="#">226319</a>	37,49 €	39	Spring, Autom lever base up to ca 09.'65	<a href="#">226318</a>	27,49 €
40	Rubber grommet Autom. shift	<a href="#">226103</a>	58,25 €	43	Bulb 12V / 3W, torpedo, total length 30	<a href="#">226102</a>	2,53 €
48	Bushing,shift rod front/back	<a href="#">226043</a>	3,55 €	50	Bushing	<a href="#">226042</a>	41,65 €
51	Automatic gear shift rod ...0533	<a href="#">226740</a>	202,29 €	51	Automatic gear shift rod ...0533	<a href="#">226040</a>	199,00 €
52	Insert for push rod sleeve (autm-lever)	<a href="#">226044</a>	35,69 €	54	Cover, for wire terminal @ autom-housing	<a href="#">254009</a>	33,24 €
57	foam insert, autm. lever box	<a href="#">226107</a>	19,75 €	58	insulation pad, autm lever box	<a href="#">226106</a>	16,66 €
65	Grommet for oilpipe, autom.	<a href="#">227059</a>	2,96 €	66	Sealing ring ID8, eg. for hollow screw	<a href="#">220011</a>	0,65 €
67	Alu seal ring M12, eg. eng. block@chain	<a href="#">107143</a>	0,70 €	68	hollow bolt M12, e.g. @autom gear lines	<a href="#">107141</a>	10,59 €
69	Seal ring 14mm Alu	<a href="#">207186</a>	1,08 €	84	Hose, autm. oil to rad L or R	<a href="#">227901</a>	94,40 €
85	Hollow screw on suction pipe	<a href="#">227022</a>	1,99 €	86	Protective sleeve,vacuum pipe	<a href="#">227858</a>	5,36 €
87	Seal ring 10x13,5, Alu, e.g. sender, hollow bolts	<a href="#">227023</a>	0,50 €	97	Clamp, oil pipe, autom.	<a href="#">227099</a>	4,46 €

## 25.c Hydr. Clutch



	Cover, for wire terminal @ autom-housing	<a href="#">254009</a>	33,24 €	8	Flywheel stretch bolt	<a href="#">103029</a>	9,98 €
12	disc, flywheel to autm drive 127FN,110	<a href="#">203105</a>	92,03 €	15	Seal ring,primary pump, au.	<a href="#">227045</a>	6,62 €
16	Bolt, flywheel Autm. 129-130, 127FN	<a href="#">203027</a>	42,19 €	20	Plate , cover, gearbox case	<a href="#">225056</a>	33,97 €

## 27.i Info Belagzustand

27.i Info Belagzustand



**Info Belagzustand - Indikator Getriebeöl:**  
die Demontage der Getriebeölwanne ist einfach und liefert gute Hinweise: An Filter und in Ecken der Ölwanne sammeln sich zuerst die Zeugen verschlissener Bremsbänder oder Kupplungen.

1: Innenlamelle Neuteil.

2: Belagstärke OK, aber Öl verrußt durch Abbrand anderer Beläge.

3: Verschleißgrenze des Belages erreicht, Schaltvorgänge noch OK.

4: Schaltvorgänge beginnen zu rutschen, Einstellversuche am Moduldruck können das Problem noch kurzfristig verlagern.

5 + 6: vollständiger Belagverlust führt zu Verschleiß der Außenlamellen. Nicht selten werden die Getriebe noch über viele Tausend Kilometer weiter gefahren.

7: Verzug infolge Lamellen-Überhitzung, Metall-Abrieb im rußverdunkelten Öl führt zu erheblichen Folgeschäden im restlichen Getriebe.



2



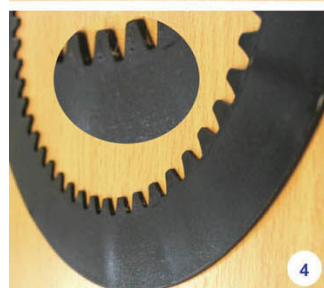
5



3



6



4

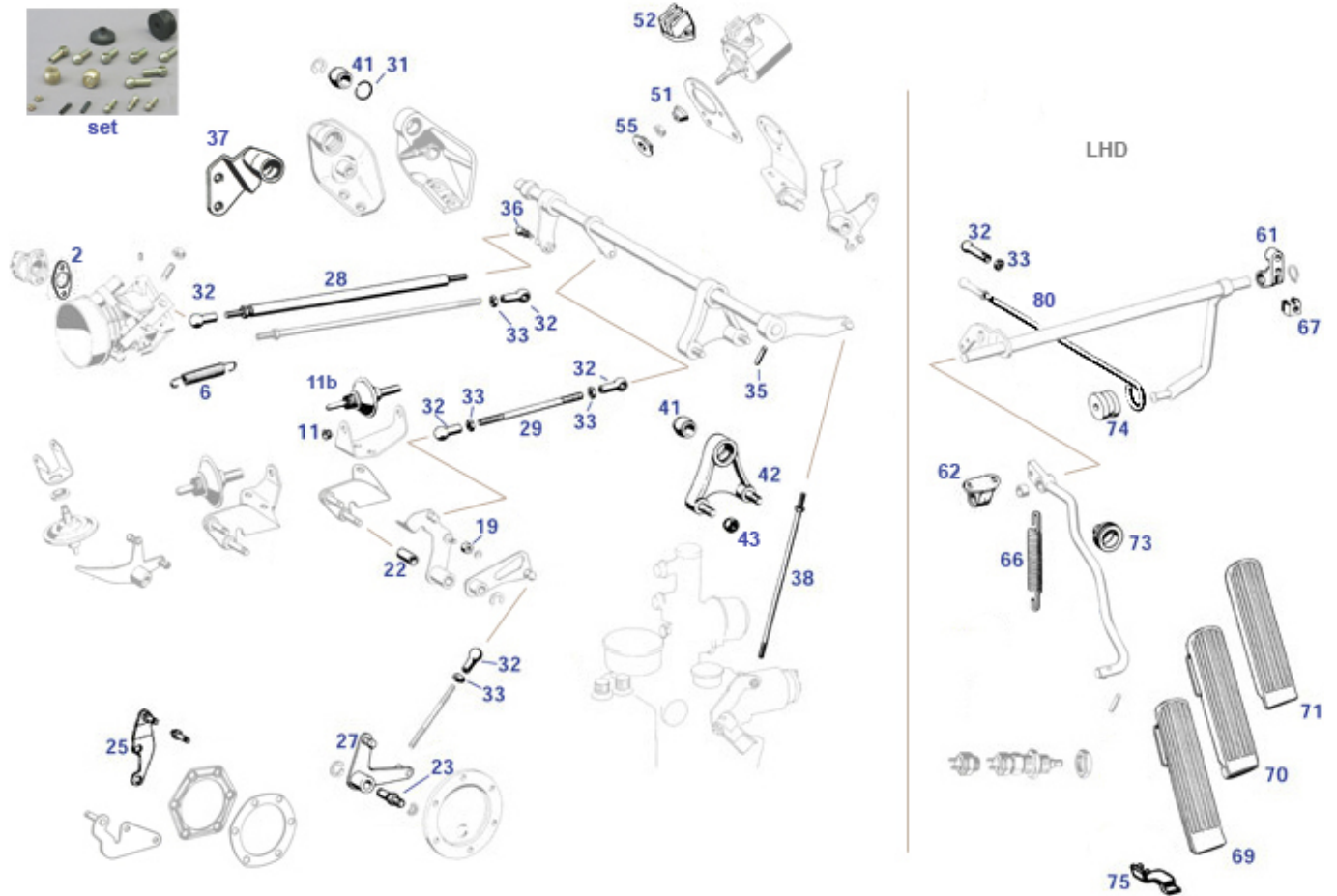


7



## 30 Acc Linkage

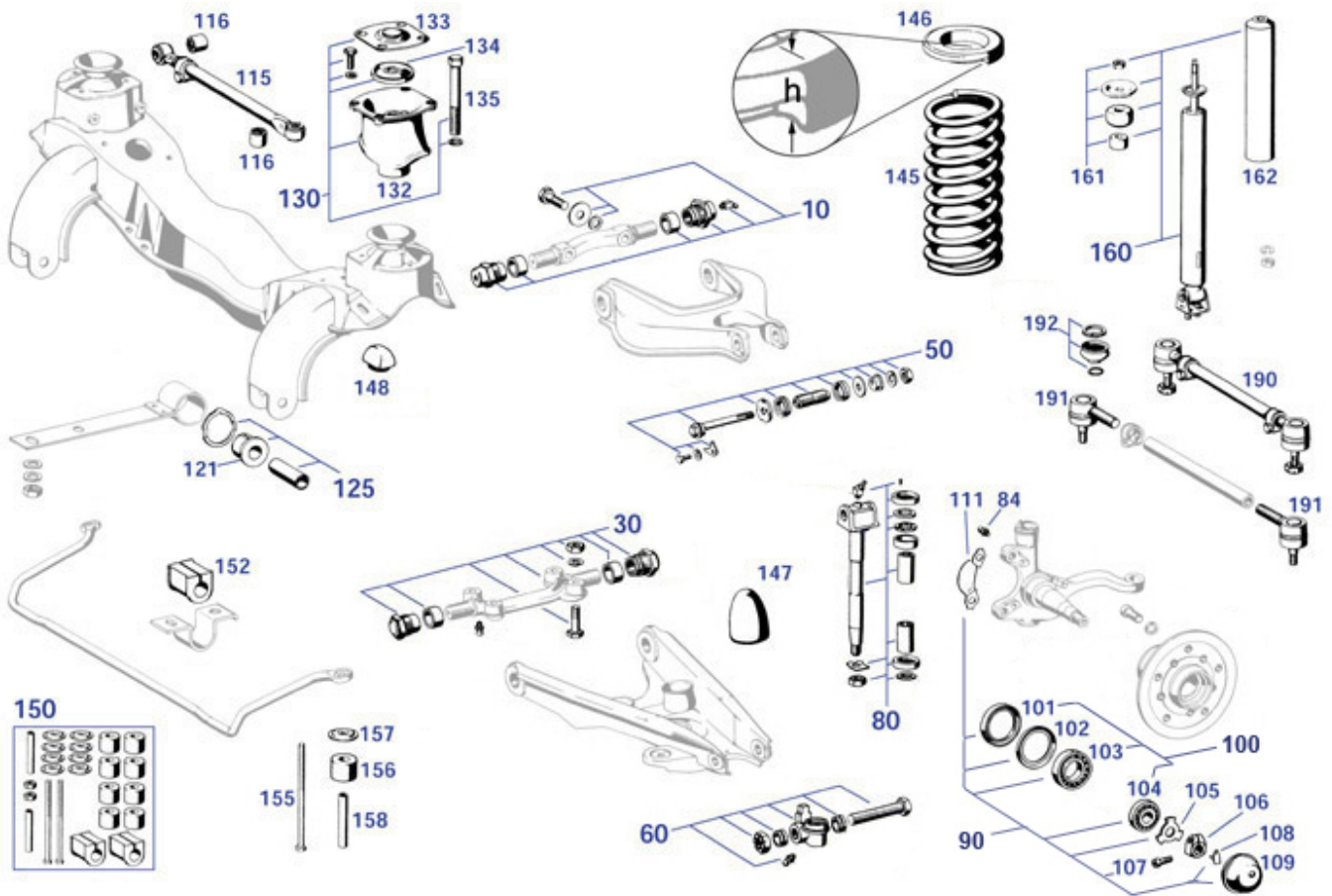
30 Acc Linkage



	Dampening rubber for pull rod	<a href="#">130200</a>	11,75 €	2	Gasket, idler switch, metal	<a href="#">214080</a>	3,69 €
2	Cap, throttle flap shaft	<a href="#">214074</a>	55,22 €	6	Spring, throttle flap	<a href="#">230017</a>	15,93 €
11b	Accel. shut off damper, shape see photo	<a href="#">207116</a>	109,00 €	19	nylon roll für acc linkage levers with gate	<a href="#">207873</a>	1,96 €
23	Bushing, acc linkage near engine	<a href="#">230015</a>	5,43 €	25	support acc linkage at engine support	<a href="#">230018</a>	9,16 €
27	Lever, acc linkage, see picture	<a href="#">230016</a>	97,50 €	28	Push rod, acc-link, 280mm L/R-thread	<a href="#">230032</a>	85,88 €
29	Pull rod, link to acc turn shaft	<a href="#">230835</a>	19,36 €	32	Ball socket with Lt. hand threads	<a href="#">230004</a>	2,44 €
33	Nut, 5mm, right hand thread	<a href="#">199095</a>	0,24 €	33	Nut, 5mm Lt. Hd. Threads	<a href="#">230006</a>	0,83 €
35	spring type straight pin 4 X 18	<a href="#">230007</a>	0,51 €	36	Ball headed bolt	<a href="#">230008</a>	1,55 €
38	Push rod, acc link to inj-pump, R+L-thr	<a href="#">230809</a>	24,51 €	41	Brass bush, throttle link support	<a href="#">207085</a>	3,99 €
42	ACC linkage shaft support LH, eng 127-130E	<a href="#">207788</a>	127,20 €	43	Clamp, vacuum line at support	<a href="#">243079</a>	21,60 €
43	Special nut, acc linkage support to mount LH	<a href="#">230029</a>	3,57 €	50	Solenoid   A0000720500	<a href="#">207100</a>	1.245,00 €
51	Grommet, acc linkage solenoid	<a href="#">207899</a>	3,93 €	51	Bracket, solenoid	<a href="#">207201</a>	38,62 €
52	2 pole terminal	<a href="#">154052</a>	44,85 €	55	collar nut, e.g. Solenoid pin	<a href="#">299334</a>	13,66 €
61	Bracket, ACC-shaft, holes vertical	<a href="#">230013</a>	75,08 €	62	mount, acc shaft, e.g. 113 lh, others	<a href="#">230042</a>	52,00 €
66	Spring, e.g. throttle linkage R113	<a href="#">199091</a>	20,29 €	67	Cage nut M6, no locking	<a href="#">188835</a>	1,90 €
69	Accelerator pedal, 113 manual	<a href="#">230000</a>	91,93 €	70	Acc. pedal R113-autom. cplt.	<a href="#">230100</a>	130,00 €
71	Ruber pad, accelerator pedal	<a href="#">230001</a>	26,18 €	73	Grommet, acc. Pedal, bulkhead	<a href="#">299006</a>	4,19 €
74	Dampening rubber for pull rod 45 SHORE A	<a href="#">130800</a>	6,39 €	74	Buffer ring, acc linkage (60°SH)	<a href="#">230800</a>	6,39 €
75	Bracket, accelerator pedal assy LHD	<a href="#">261140</a>	41,00 €	80	Push rod gas linkage 230SL early   A1113001215	<a href="#">230019</a>	87,76 €

## 32, 33 Front suspension

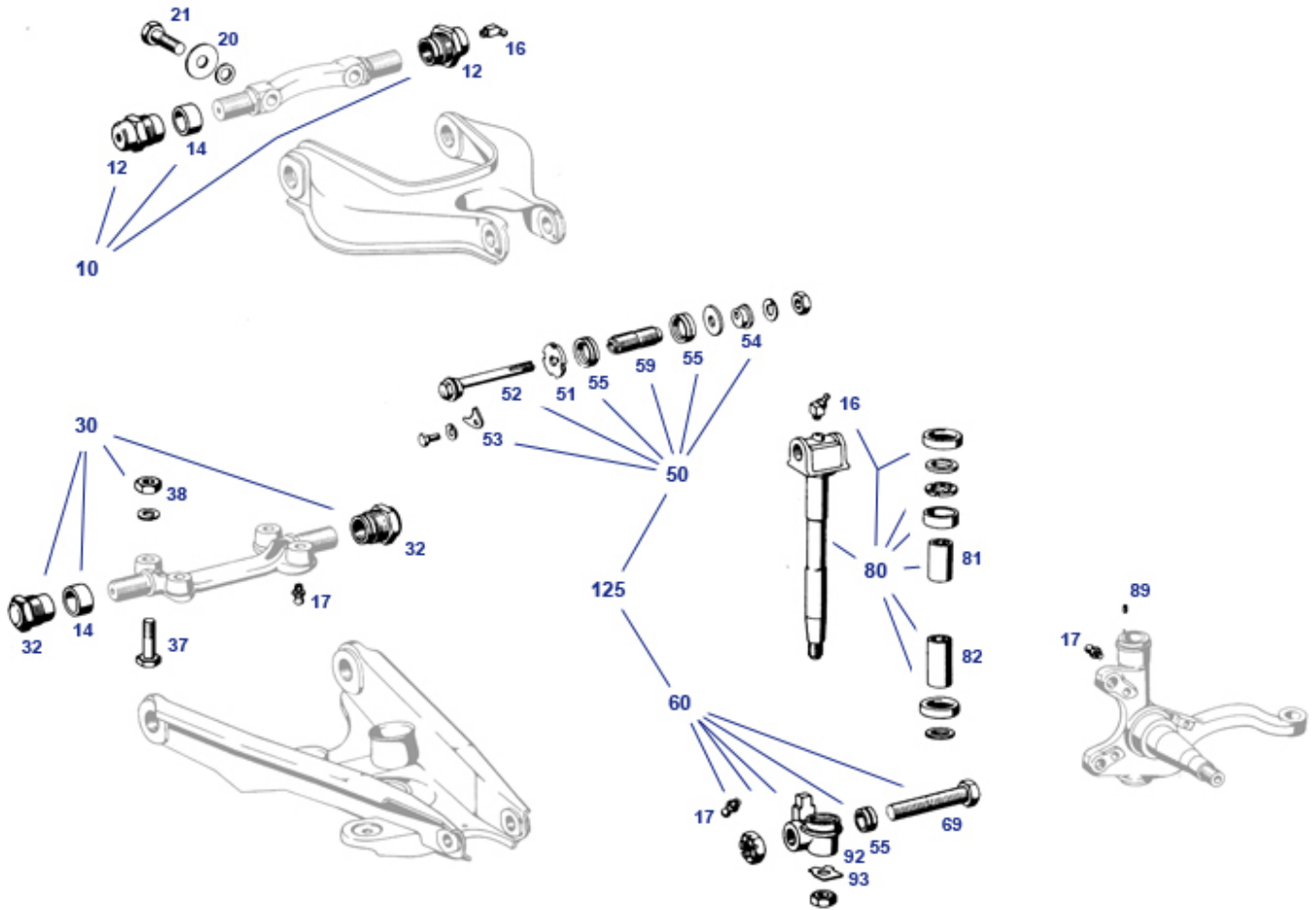
### 33.a Front Axle



Spring washer 14mm e.g. cam wheel	<a href="#">105028</a>	0,55 €	Spacer	<a href="#">233097</a>	10,00 €
As long as stock lasts!: Rubber buffer ring	<a href="#">232979</a>	3,00 €	Threaded bushing, 30.9mm, with groove	<a href="#">233036</a>	21,42 €
Threaded bushing, 29.9mm, no groove	<a href="#">233037</a>	21,42 €	M12 DIN 127 lock washer	<a href="#">233042</a>	0,39 €
Lock plate	<a href="#">233043</a>	2,58 €	Bolt for Control Arm Mounting Pin	<a href="#">233044</a>	9,52 €
hex nut M12 X 1,5 zinc plated class 10	<a href="#">233046</a>	1,58 €	King pin security washer	<a href="#">233051</a>	3,21 €
Bush, king pin, lower=L45mm	<a href="#">233053</a>	14,28 €	galvanized Spring washer M8	<a href="#">233059</a>	0,21 €
Bolt 8x22, clutch plate	<a href="#">233064</a>	0,37 €	Screw W108 front cross member	<a href="#">233067</a>	0,43 €
Spacing sleeve leaf spring frt	<a href="#">233098</a>	8,20 €	Mount, coil spring 25mm, diam.problem	<a href="#">232813</a>	38,79 €
Spring washer M14	<a href="#">233103</a>	0,50 €	Washer 15mm	<a href="#">233104</a>	0,76 €
Bolt, strut to frt axle,M16x80	<a href="#">233106</a>	2,56 €	Locking Nut M8, e.g. damper	<a href="#">299333</a>	0,76 €
Cotter pin 2,0 x 25, e.g. tie rod nuts	<a href="#">299460</a>	0,12 €	Cap for grease nipple, red	<a href="#">333048</a>	0,65 €
Shock absorber R/C107,114-5 front, KONI - Classic	<a href="#">732103</a>	210,00 €	Buffer, rubber,subframe mount, B-quality	<a href="#">233760</a>	42,42 €
Split pin 3x36	<a href="#">133059</a>	0,18 €	pin 2,5 m6 X 6	<a href="#">233750</a>	0,31 €
Washer at clamping nut, no inner pintle	<a href="#">233972</a>	27,97 €	Castle nut M10X1, thin shape, early joint	<a href="#">133706</a>	2,45 €
Hexagonal nut 10 M8, galv. Verz.	<a href="#">990101</a>	0,15 €	mount, coil spring 30mm	<a href="#">232814</a>	35,69 €
set steering rod with special screw and washers	<a href="#">246660</a>	38,08 €	Seal Ring, upper & lower	<a href="#">133015</a>	6,77 €
Threaded bushing	<a href="#">133018</a>	10,95 €	Grease nipple, M8, 45°, FEBI	<a href="#">133048</a>	1,49 €
Sealing rings, Upper or lower	<a href="#">133041</a>	2,05 €	toothed washer, adjuster at upper ctrl arm	<a href="#">133023</a>	0,89 €
Threaded bush, 30.9mm, with groove	<a href="#">133039</a>	25,29 €	King pin bearing ot/lw.	<a href="#">133031</a>	79,46 €
Bolt, king pin br. ot/lw	<a href="#">133032</a>	17,49 €	Threaded bush, 29.9mm (no groove)	<a href="#">133038</a>	25,25 €

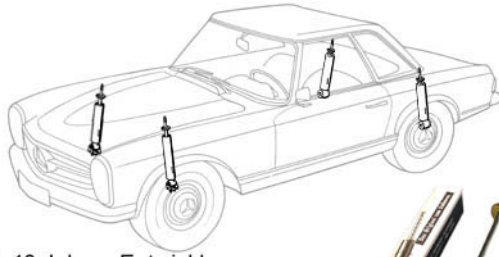
	Spring washer	<a href="#">222005</a>	0,44 €	50	Control arm rep. kit, upper outer, FEBI	<a href="#">133010</a>	81,55 €
50	Repair kit, control arm outer, lower+upper 1 side FEBI	<a href="#">133025</a>	127,40 €	60	Control arm rep. kit, lower outer, FEBI	<a href="#">133030</a>	79,99 €
80	King pin repair kit	<a href="#">233050</a>	102,45 €	84	Grease nippleFN	<a href="#">233048</a>	0,89 €
90	Rep kit wheel bearing from 06.'61, FEBI	<a href="#">233880</a>	73,24 €	101	Seal ring @ frt wheel bearings	<a href="#">142625</a>	8,88 €
102	Bearing retainer ring 06.61 ->	<a href="#">142608</a>	23,75 €	102	Bearing retainer ring 06.61->, orig.	<a href="#">142600</a>	79,67 €
103	Wheel bearing, inner, 06.61 -> 89, FAG	<a href="#">142680</a>	27,66 €	103	Wheel bearing, inner, 06.61 -> 89	<a href="#">142580</a>	23,79 €
104	Wheel bearing, outer	<a href="#">142630</a>	18,67 €	104	Wheel bearing, outer, FAG	<a href="#">142730</a>	29,05 €
106	Clamp nut   multiple cars from 1956-1985   A1203340772	<a href="#">233077</a>	32,53 €	107	hex.socket head cap screw M7X20 fits to 233077	<a href="#">233074</a>	3,96 €
107	hex. socket head cap screw 10.9 M6 X 20,	<a href="#">233076</a>	1,08 €	108	Contact	<a href="#">233078</a>	3,38 €
109	Cap, front wheel bearings 110-115,	<a href="#">233079</a>	9,76 €	111	locking plate, caliper frt '66-12'76	<a href="#">242008</a>	6,19 €
116	Rubber mounting, tie rod	<a href="#">298777</a>	5,31 €	121	Rubber bushing, import quality	<a href="#">233896</a>	9,88 €
121	Rubber bushing, orig quality	<a href="#">233096</a>	24,86 €	132	Buffer, rubber,subframe mount	<a href="#">233060</a>	96,52 €
133	Buffer plate, subframe upper mounts	<a href="#">233861</a>	35,14 €	134	stopper shim	<a href="#">233062</a>	13,99 €
135	hex.head screw M12 X 1,5 X 90, cross member	<a href="#">233063</a>	1,80 €	145	Front spring, lft or rgt,std.	<a href="#">232010</a>	124,95 €
146	Mount,coil spring, 25mm	<a href="#">232012</a>	57,37 €	146	Mount,coil spring, 20mm	<a href="#">232011</a>	57,37 €
146	Mount,coil spring, 22.5mm	<a href="#">332015</a>	57,37 €	146	Mount,coil spring, 30mm	<a href="#">232013</a>	57,37 €
146	Mount,coil spring, 27.5mm	<a href="#">832014</a>	57,37 €	147	Rubber buffer, lower ctrl arm	<a href="#">233066</a>	5,95 €
148	Rubber buffer, upper ctrl arm	<a href="#">233065</a>	9,76 €	150	Bushing kit, fits 22mm torsion bar (incl 20mm rbr)	<a href="#">233071</a>	95,63 €
150	Bushing kit, fits 20mm torsion bar (incl 18mm rbr)	<a href="#">233070</a>	86,06 €	152	Rubber 20mm for torsion bar 22mm	<a href="#">232002</a>	18,75 €
152	Rubber 18mm for torsion bar 20mm	<a href="#">232050</a>	16,33 €	155	Bolt,torsion bar/ swg.arm	<a href="#">232016</a>	8,56 €
156	Buffer,torsion bar/ swg.arm	<a href="#">232017</a>	10,20 €	157	A111323026702 Washer,torsion bar/ swg.a	<a href="#">232018</a>	3,57 €
157	screw M8	<a href="#">232026</a>	0,56 €	158	Spacer tube,torsion bar/ swg.arm	<a href="#">232019</a>	6,25 €
160	Sachs shock absorber W113 front, per piece	<a href="#">232112</a>	216,40 €	160	Shock absorber, gas, Bilstein	<a href="#">232101</a>	284,40 €
160	Shock absorber front W108-111, 113, KONI - Classic	<a href="#">232103</a>	164,90 €	191	Right Tie Rod end -"Febi"	<a href="#">233092</a>	22,85 €
191	Spurstangenkopf, Rechtsgewinde	<a href="#">233992</a>	27,00 €	191	Tie rod end	<a href="#">233991</a>	28,99 €
191	Left Tie Rod end -"Febi"	<a href="#">233091</a>	22,85 €	191	Tie rod end, Rt. thread, brand Meyle	<a href="#">233192</a>	22,99 €
191	Tie rod end, Lt. thread, brand MEYLE	<a href="#">233191</a>	22,49 €	192	Split pin 2,5 x 25, fits crown nuts seering linkage	<a href="#">133007</a>	0,24 €
232835	Washer upper shock mount	<a href="#">232835</a>	4,99 €	232879	Rubber buffer ring	<a href="#">232879</a>	3,24 €
232989	Hex nut M10 fine, e.g. shock-absorber	<a href="#">232989</a>	0,70 €	233199	Bolt, M8x35, fits drag links	<a href="#">233199</a>	0,44 €

### 33.c separate items control arm bearing



12	Threaded bush, 29.9mm (no groove)	<a href="#">133038</a>	25,25 €	12	Threaded bush, 30.9mm, with groove	<a href="#">133039</a>	25,29 €
14	Sealing rings, Upper or lower	<a href="#">133041</a>	2,05 €	16	Cap for grease nipple, red	<a href="#">333048</a>	0,65 €
16	Grease nipple, M8, 45°, FEBI	<a href="#">133048</a>	1,49 €	17	Grease nippleFN	<a href="#">233048</a>	0,89 €
20	Lock plate	<a href="#">233043</a>	2,58 €	21	Bolt for Control Arm Mounting Pin	<a href="#">233044</a>	9,52 €
32	Threaded bushing, 30.9mm, with groove	<a href="#">233036</a>	21,42 €	32	Threaded bushing, 29.9mm, no groove	<a href="#">233037</a>	21,42 €
38	hex nut M12 X 1,5 zinc plated class 10	<a href="#">233046</a>	1,58 €	50	Control arm rep. kit, upper outer, FEBI	<a href="#">133010</a>	81,55 €
51	toothed washer, adjuster at upper ctrl arm	<a href="#">133023</a>	0,89 €	55	Seal Ring, upper & lower	<a href="#">133015</a>	6,77 €
59	Threaded bushing	<a href="#">133018</a>	10,95 €	69	Bolt, king pin br. ot/lw	<a href="#">133032</a>	17,49 €
80	King pin repair kit	<a href="#">233050</a>	102,45 €	82	Bush, king pin, lower=L45mm	<a href="#">233053</a>	14,28 €
89	pin 2,5 m6 X 6	<a href="#">233750</a>	0,31 €	93	Nut, strut to body	<a href="#">233102</a>	2,05 €

## 32 Info Bilstein Shock Absorbers



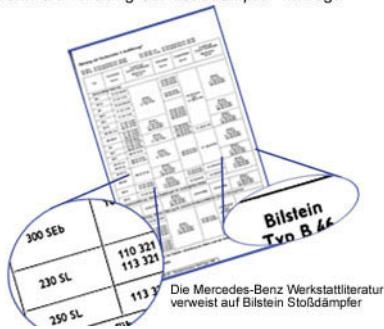
Bilstein ist seit mehr als 40 Jahren Entwicklungspartner in der Fahrwerkstechnik bei Mercedes-Benz und war auch für die 230-280SL Erstausrüster mit Gasdruckstoßdämpfern.



Gasdruckdämpfer von Bilstein haben einen hohen Qualitätsstandard und passen mit ihrer Abstimmung zum Fahrwerk Ihres SL.

Verschlossene, defekte, unpassende oder schlecht abgestimmte Stoßdämpfer sind keine Bagatelle:

Die konstruktionsbedingten Eckdaten Ihres SL (Gewicht, Radstand, Achsgeometrie) können zu "Bremsnicken", unberechenbar ausfedenden Hinterrädern in Kurvenfahrt und schlechtem Geradeauslauf führen, wenn die Wirkung der Stoßdämpfer versagt.



Bei allen Stoßdämpfern gibt es einen Ausgleichsraum für das veränderliche Volumen der eintauchenden Kolbenstange. Bei **Gasdruckdämpfern** ist dieser Raum zuverlässig abgedichtet und baut einen stetigen Gegendruck gegen den Ölraum auf. Dadurch wird Blasenbildung im Öl verhindert, die Dämpfung bleibt auch bei starker Beanspruchung und langem Einsatz erhalten.



Folgende Lieferumfänge sind erhältlich:

230/250/280SL Stoßdämpfer Bilstein Gasdruck  
je mit Montagematerial, mit Bilstein Herstellergarantie.

SLS Art. [232101](#) = 1 Stück einzeln für Vorderachse

SLS Art. [232111](#) = 1 Stück einzeln für Hinterachse

SLS Art. [232200](#) = 1 Fahrzeugsatz (beide Achsen)

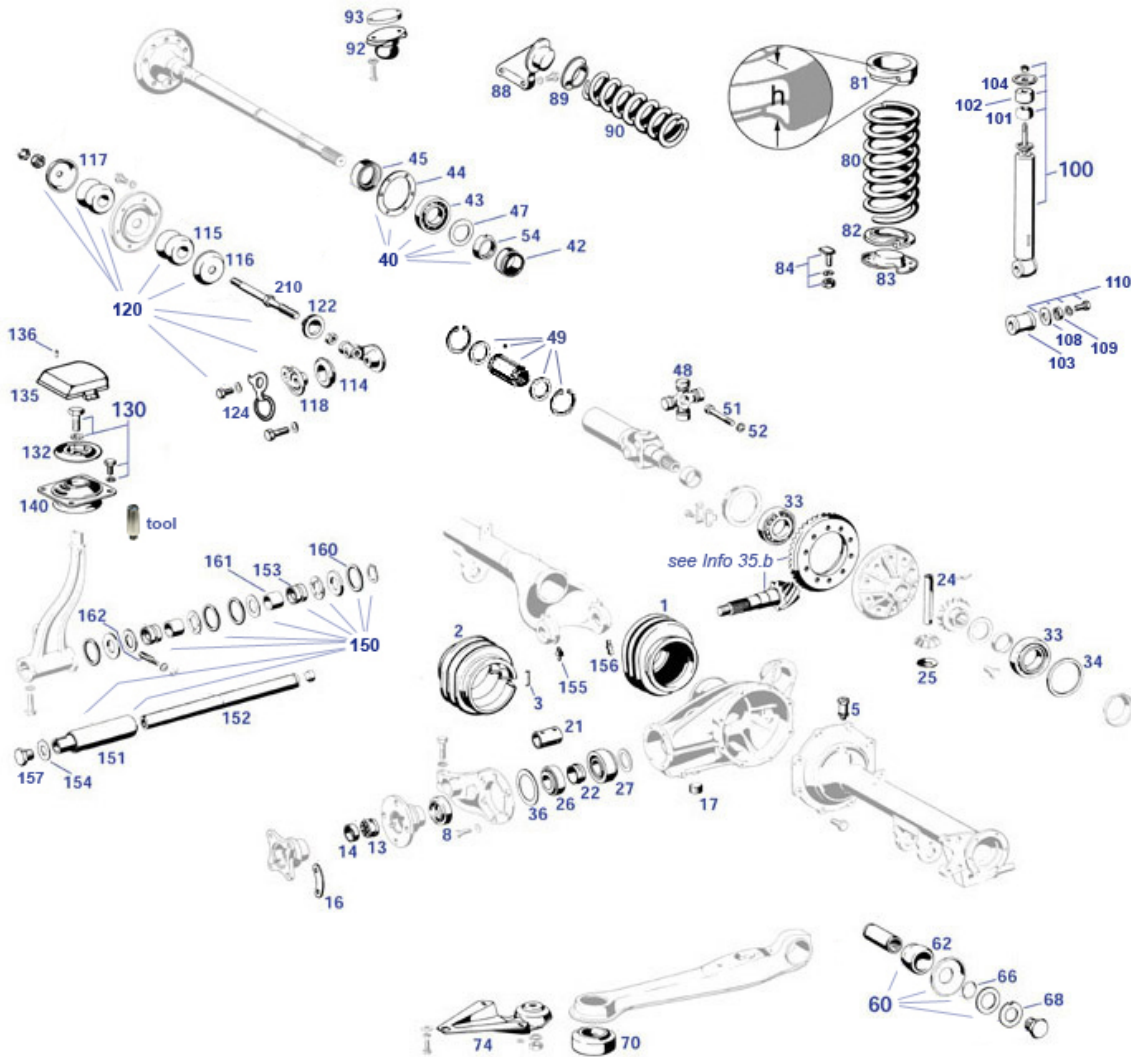
Auch erhältlich für viele weitere Mercedes-Benz Oldtimer !

others	Shock absorber rear, Bilstein Gas	<a href="#">132022</a>	314,99 €	others	Shock absorber front, Bilstein Gas	<a href="#">132111</a>	324,99 €
others	"Bilstein shocker W114-5 front "HD"	<a href="#">532101</a>	203,49 €	others	Bilstein shock absorber 114/5,rr, 'HD'	<a href="#">532111</a>	189,21 €
others	Bilstein shocker R/C107to 8.85	<a href="#">732101</a>	232,16 €	others	Bilstein shocker R/C107fr.9.85	<a href="#">732105</a>	208,25 €
others	Bilstein shocker R/C107 rear	<a href="#">732111</a>	236,20 €	others	Bilstein shocker 108/110-1 fr.	<a href="#">832101</a>	232,16 €
others	Bilstein shocker W109 fr.	<a href="#">832103</a>	209,90 €	others	Bilstein shocker 108/110-1 rr.	<a href="#">832111</a>	199,98 €
others	Bilstein-shocker W109 rr.	<a href="#">832113</a>	175,00 €		Sachs shock absorber W113 front, per piece	<a href="#">232112</a>	216,40 €
	Rubber buffer ring	<a href="#">232879</a>	3,24 €	232101	Shock absorber, gas, Bilstein	<a href="#">232101</a>	284,40 €

# 35, 40, 41 Rear Suspension, Wheels, Propeller Shaft

## 35.a Rear Suspension

35.a Rear Suspension

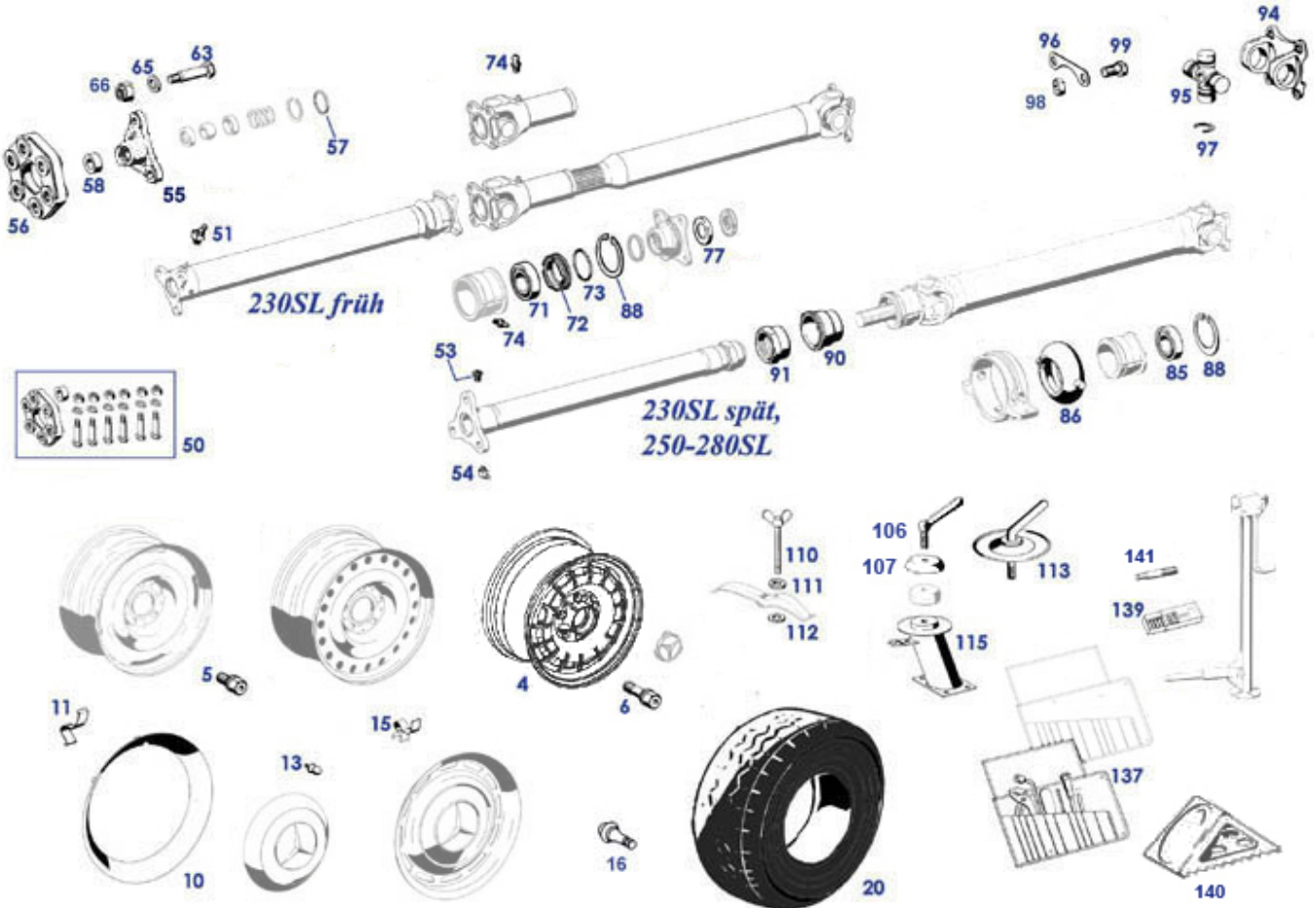


	Tool for special nut rr axle shafts	<a href="#">258750</a>	130,90 €				
	As long as stock lasts!: Rubber buffer ring	<a href="#">232979</a>	3,00 €	bush	Rubber mount ring, struts to body	<a href="#">235721</a>	11,65 €
retainer bolt	Washer connecting rod -> axle	<a href="#">235030</a>	8,98 €	distancer	Bolt connecting rod rear	<a href="#">235029</a>	16,05 €
	Screw connecting rod -> axle	<a href="#">235053</a>	23,54 €		Ring connecting rod -> axle	<a href="#">235031</a>	2,98 €
	Sleeve, length 26.0mm (std), OD+0.4mm Rep.	<a href="#">235307</a>	51,38 €		Locking Nut, cross strut near axle	<a href="#">235227</a>	1,94 €
bits	Locking ring M10	<a href="#">299328</a>	0,38 €	bits	Cap,to235308	<a href="#">235309</a>	1,32 €
	on request: latch for cross strut NOS/used	<a href="#">135223</a>	188,50 €	retainer	Hex bolt, damper-> rr axle	<a href="#">232988</a>	0,56 €
	support balancer spring RH axle, ref.No. A1103202343	<a href="#">232804</a>	79,49 €		see 235030	<a href="#">235830</a>	4,70 €
tool	Mounting aid upper ctrre rear mount	<a href="#">258353</a>	74,99 €		screw for brake axis 230 SL	<a href="#">242116</a>	33,44 €
1	Swing axle sleeve, closed	<a href="#">135130</a>	29,96 €	1	Swing axle sleeve, closed, premium quality	<a href="#">135930</a>	49,43 €
2	Sw. Axle sleeve, open, rep., design differs to orig	<a href="#">135131</a>	41,45 €	2	Sw. Axle sleeve, open, repair, premium quality	<a href="#">135931</a>	80,92 €
3	1m metal strip, 9mm clamp	<a href="#">109830</a>	3,09 €	3	Lock / winding clip for 9mm strap	<a href="#">109835</a>	2,84 €
8	Seal ring,input shaft   230-280SL..	<a href="#">235015</a>	12,98 €	3	Clamp for repair bellows	<a href="#">135832</a>	1,19 €
13	Set 3 pcs tools, fitting MB grooved nut	<a href="#">258260</a>	285,60 €	13	Diff Pinion Grooved Nut   A1113500166	<a href="#">235714</a>	36,00 €
14	Washer Lock for Differential Flange	<a href="#">235013</a>	6,68 €	14	Lock washer, diff. pinion nut	<a href="#">235813</a>	5,00 €
				16	tabbed lock plate ,driveshaft	<a href="#">241014</a>	8,45 €

	Nut						
17	Plug screw M24 conical, no collar	<a href="#">114025</a>	8,98 €	22	spacer sleeve, diff. 250-280S/SE/SEL/SL, FEBI	<a href="#">235809</a>	4,94 €
24	Pin, differential	<a href="#">135159</a>	148,99 €	24	Pin,diff. gear 250-280SL	<a href="#">235159</a>	124,43 €
26	Bearing, pinion wheel shaft up to '67	<a href="#">235816</a>	24,47 €	26	Bearing, pinion wheel shaft from '68	<a href="#">235011</a>	46,55 €
27	bearing, outer shell only	<a href="#">235119</a>	24,16 €	27	Reel taper bearing	<a href="#">235118</a>	70,00 €
33	Differential Bearing	<a href="#">235039</a>	69,50 €	33	Rear axle inner bearing	<a href="#">135070</a>	39,98 €
36	Distance washer 1.5mm at late pinion	<a href="#">235150</a>	49,99 €	40	Axle shaft brg./seal kit lft.	<a href="#">233085</a>	58,13 €
42	Inner seal ring, axle shaft   W108,111,113,110	<a href="#">242114</a>	12,82 €	43	Rear axle roller bearing, RT, (drum shape rollers)	<a href="#">135858</a>	67,38 €
43	Rear axle ball-bearing	<a href="#">235005</a>	25,69 €	44	Paper gasket, axle types from W110	<a href="#">242813</a>	4,11 €
44	Screw, backplate to axle, 250-280SL	<a href="#">242117</a>	39,98 €	44	Paper gasket, axle types from W110	<a href="#">242113</a>	7,35 €
45	Seal ring, outer,front axle   Gen. 110 (113,108)	<a href="#">242115</a>	11,44 €	47	Rear axle lock plate	<a href="#">235006</a>	12,79 €
48	Locking ring 2.35mm @ joint cross bushg	<a href="#">235059</a>	46,58 €	49	Bearing Sleeve with mounting bits, tested repro	<a href="#">235770</a>	999,99 €
51	Bolt, universal joint 230SL (L70)	<a href="#">235231</a>	2,25 €	52	Spring washer, u/j bolt	<a href="#">235303</a>	0,42 €
54	Axle shaft grooved nut	<a href="#">135057</a>	11,29 €	54	Tool for special nut rr axle shafts	<a href="#">258350</a>	49,98 €
62	Rubber, rear trailarm to axle, 65...70°sh	<a href="#">235733</a>	3,61 €	62	Rubber, rear trailarm to axle, 75°sh	<a href="#">235833</a>	5,41 €
66	Ring, spacing,inj. Pump	<a href="#">235034</a>	1,64 €	68	Tab washer, trailing arm	<a href="#">235032</a>	5,30 €
70	Rubber mount Suspension strut mounting ring	<a href="#">235021</a>	13,11 €	70	Rubber mount ring, struts to body	<a href="#">235821</a>	10,35 €
70	Mounting aid front thrust bearing	<a href="#">258351</a>	69,02 €	76	Spring washer M14	<a href="#">233103</a>	0,50 €
76	Nut, strut to body	<a href="#">233102</a>	2,05 €	77	Shim, Exh/Tank support	<a href="#">298776</a>	2,83 €
80	Coil spring, SL113 rear L or R, brand Eibach	<a href="#">232820</a>	82,85 €	80	Spring, rear 230-280SL, Aftermarket	<a href="#">232020</a>	109,99 €
81	Ring, rubber,upper, 24mm, rear rubber rear spring 30mm	<a href="#">232022</a>	33,50 €	81	rubber rear spring 20mm	<a href="#">232821</a>	32,45 €
81	rubber rear spring 30mm	<a href="#">232923</a>	38,79 €	82	Rubber ring rr spring lower	<a href="#">232028</a>	8,46 €
82	rubber underlay rear spring	<a href="#">232828</a>	8,22 €	84	Square head bolt, coil spring support	<a href="#">232061</a>	10,21 €
88	Support, compensating spring, overhaule	<a href="#">232004</a>	74,49 €	89	Rubber-ring compensating spring	<a href="#">232005</a>	6,49 €
90	Compensating spring, 11.9mm	<a href="#">232006</a>	83,35 €	92	Rubber buffer, rr axle	<a href="#">232008</a>	41,39 €
93	Buffer distancer, repro	<a href="#">232209</a>	26,00 €	93	Distancer, buffer to frame, Aluminum	<a href="#">232109</a>	72,00 €
100	Shocker,gas press.,Bilstein	<a href="#">232111</a>	288,99 €	100	Shock absorber rear W108-111, 113, KONI - Classic	<a href="#">232113</a>	169,99 €
100	Sachs shock absorber W113 rear, per piece	<a href="#">232110</a>	146,00 €	101	Rubber shock->body frt	<a href="#">132028</a>	5,75 €
101	Rubber buffer ring	<a href="#">232879</a>	3,24 €	102	Rubber ring, top	<a href="#">132027</a>	2,82 €
104	Washer upper shock mount	<a href="#">232035</a>	4,75 €	104	Hex nut M10 fine, e.g. shock-absorber	<a href="#">232989</a>	0,70 €
104	Washer upper shock mount	<a href="#">232835</a>	4,99 €	108	Shaped Shim for Lower Rear Shock Mount	<a href="#">235328</a>	5,55 €
109	Stepped Shim for Rear Shock Mount	<a href="#">235329</a>	5,43 €	114	Rubber mount rear axle support strut   A1113510448	<a href="#">235023</a>	36,53 €
115	Outer Rubber Mount for Differential Mount strut	<a href="#">235024</a>	7,50 €	116	Cup, rear axle cross strut, inner	<a href="#">235028</a>	21,63 €
117	Cup, rear axle cross strut, outer boot,cross strut	<a href="#">235027</a>	21,63 €	118	A1113510240 cup, rear half	<a href="#">135224</a>	199,99 €
122		<a href="#">235004</a>	5,55 €	124	hex head screw M10 X 20, 10.9 zinc plated	<a href="#">235315</a>	1,40 €
124	Set locking shim + O-ring, brake wire R	<a href="#">242844</a>	45,99 €	134	Bolt, rr axle top	<a href="#">235319</a>	6,68 €
135	cover rear cross member, above axle mount	<a href="#">269832</a>	31,90 €	136	Rivet,for cover in boot	<a href="#">269034</a>	0,35 €
140	Rear subframe mount rubber, made in Germany	<a href="#">235920</a>	274,12 €	140	Rubber mount rear axle, center upper joint	<a href="#">235020</a>	148,71 €
151	Small rep kit rr axle center joint	<a href="#">235282</a>	375,61 €	151	Rubber bushing, rr axle bolt, Repro	<a href="#">235712</a>	93,19 €
151	Rubber bushing, axle joint, German Repro	<a href="#">235012</a>	139,99 €	152	Pin, rear axle center joint from W110 on	<a href="#">235708</a>	114,89 €
153	Rear axle tube bushing	<a href="#">235050</a>	29,63 €	154	Lock washer	<a href="#">235301</a>	2,59 €
155	Cap for grease nipple, red	<a href="#">333048</a>	0,65 €	155	Grease nipple, 45°, M6	<a href="#">235047</a>	0,50 €
156	Grease nipple, M6	<a href="#">235048</a>	0,95 €	157	Hex Bolt on Differential Mounting Strut	<a href="#">235324</a>	17,17 €
158	Shim, 2.2mm thick, repair size	<a href="#">235716</a>	23,42 €	158	Shim, 2.0mm thick, standard size	<a href="#">235306</a>	16,53 €
158	Shim, 2.4mm thick, repair size	<a href="#">235718</a>	17,50 €	159	Shim at ctr bolt rr axle joint	<a href="#">235305</a>	15,71 €

159	Shim at ctr bolt rr axle joint	<a href="#">235705</a>	10,00 €	160	Rubber ring, swing link	<a href="#">235304</a>	3,50 €
161	Sleeve, length 25.6mm	<a href="#">235656</a>	46,79 €	161	Sleeve, length 26.0mm (std)	<a href="#">235807</a>	47,30 €
162	Cotter Pin for Rear Diff Mounting Strut	<a href="#">235810</a>	17,48 €	163	Locking ring	<a href="#">235322</a>	3,09 €
210	Cross strut rr axle 113	<a href="#">235722</a>	82,11 €	261	Locking, simplified, Repro, nose ctre position	<a href="#">135606</a>	6,68 €
261	Locking, simplified, Repro, nose outer position	<a href="#">135607</a>	6,68 €	261	Locking, simplified, Repro, nose outer position	<a href="#">135608</a>	6,68 €

## 40 Wheels and Propeller Shaft



	Nut, flat style, zined, pedals,kardan. pls see version 740702	<a href="#">129073</a>	1,49 €		Self locking nut M12 X 1,5	<a href="#">733113</a>	1,93 €
	wheel bolt-set, 20pcs. M12X1,5 X25 cone hub	<a href="#">740701</a>	184,45 €		locking ring at drive shaft early	<a href="#">241862</a>	8,20 €
	hex nut M12 fine, locking, flat shape	<a href="#">740801</a>	37,90 €		Nut, square, M8, e.g. drive shaft hanger	<a href="#">990998</a>	0,96 €
	Joint disc, 90mm bolt circle	<a href="#">741048</a>	0,57 €		wheel mounting aid, aluminium, 130mm, M12 X 1,5	<a href="#">740213</a>	14,25 €
	weight 50g old style, fits clamp 240007	<a href="#">241801</a>	55,93 €	2	weight 50g old style, fits clamp 240007	<a href="#">240350</a>	1,01 €
2	weight 60g old style, fits clamp 240007	<a href="#">240360</a>	1,01 €	2	weight 40g old style, fits clamp 240007	<a href="#">240340</a>	1,01 €
2	weight 90g old style, fits clamp 240007	<a href="#">240390</a>	1,01 €	2	weight 100g old style, fits clamp 240007	<a href="#">240400</a>	1,01 €
2	weight 110g old style, fits clamp 240007	<a href="#">240410</a>	1,01 €	2	weight 120g old style, fits clamp 240007	<a href="#">240420</a>	1,01 €
2	weight 80g old style, fits clamp 240007	<a href="#">240380</a>	1,01 €	2	steel rim 6 x 14, reproduction	<a href="#">240803</a>	220,15 €
2	Clip, balancer weights	<a href="#">240007</a>	0,60 €	4	Wheel, alloy,6.5x14 "Baroque" ET30  incl. ABE approval	<a href="#">740702</a>	199,99 €
4	Alloy rim Maxilite "Barock" 6x14 ET	<a href="#">240808</a>	196,35 €	5	Wheel bolt, steel wheels MB from	<a href="#">240005</a>	1,59 €



	30				1967		
6	Wheel bolt+cap,alloy whl.to 85	<a href="#">740005</a>	3,45 €	10	"Decorative ring,stainless.14"	<a href="#">240013</a>	47,01 €
10	Wheel rim trim, 14', chromed mild steel	<a href="#">240110</a>	114,76 €	10	Ornamental ring 14", chromed	<a href="#">240810</a>	65,45 €
11	Spring clip, fits orig. 14" wheel decoration ring	<a href="#">240020</a>	2,88 €	15	spring clip for wheel cover 14" 1968->	<a href="#">240041</a>	3,13 €
16	valve cap, black	<a href="#">740035</a>	0,14 €	16	Valve, tyre, metal, fits Fuchs-Baroque	<a href="#">240033</a>	69,90 €
20	Michelin tyre, orig. dimens. 185 R14 90H	<a href="#">240030</a>	275,66 €	20	Michelin tyre, 20mm whitewall	<a href="#">240031</a>	415,00 €
20	Vinyl covering, spare tyre (horizontal)	<a href="#">289889</a>	221,99 €	20	Tire Michelin 185R14 90H TL 25mm   whitewall	<a href="#">240039</a>	399,90 €
50	Hardy Rep-set 90mm,look for 24180	<a href="#">241000</a>	201,11 €	51	A1229970087 Valve, pressure release	<a href="#">241024</a>	8,39 €
54	Grease nipple, 45°, M6	<a href="#">235047</a>	0,50 €	55	Centering cross, pitch circle 90,   inner diameter:28,6	<a href="#">141030</a>	102,99 €
56	Joint disc, 90mm bolt circle	<a href="#">241001</a>	71,25 €	57	O' ring, star-flange to prop shaft	<a href="#">241013</a>	1,32 €
58	del-t: rbr seal ring @ prop shaft	<a href="#">241807</a>	9,98 €	62	retaining ring for bores 30 X 1,2	<a href="#">241021</a>	0,46 €
63	Bolt, Gear->Hardy90, 190'56->, 230SL	<a href="#">141013</a>	17,73 €	63	Stud bolt, flex disc to prop shaft	<a href="#">141012</a>	15,35 €
65	Washer, prop disc late (d90)	<a href="#">141008</a>	5,46 €	66	lock nut full metal M12 X 1,5 flat type	<a href="#">241113</a>	0,77 €
71	Ball bearing, ctr support prop shaft	<a href="#">141015</a>	11,90 €	72	A1104130051 Spacer ring,driveshaft	<a href="#">241056</a>	34,50 €
74	Grease nipple, M6	<a href="#">235048</a>	0,95 €	77	A1119940043 Lock washer	<a href="#">241062</a>	8,32 €
85	Ball bearing, e.g. prop shaft	<a href="#">241015</a>	16,83 €	86	Bush,rubber,p.scentre bearing	<a href="#">141018</a>	18,65 €
88	Locking ring, prop shaft bearing, ref.-No. N000472055000	<a href="#">241023</a>	2,80 €	90	Grommet, prop shaft length joint	<a href="#">241812</a>	7,95 €
91	Nut, prop shaft, near ctr. slip joint	<a href="#">741811</a>	32,14 €	95	Prop shaft cross FN, 24mm Bushes	<a href="#">241009</a>	31,59 €
95	Cross bearing assy"28", 57->67, no grease channel	<a href="#">141022</a>	309,00 €	95	Cross bearing assy"28", 57->67, grease channel	<a href="#">141822</a>	155,35 €
96	tabbed lock plate ,driveshaft	<a href="#">241014</a>	8,45 €	98	Nut, rear prop shaft fitting	<a href="#">241048</a>	0,92 €
98	Nut, rear prop shaft fitting	<a href="#">241848</a>	0,92 €	99	Bolt, drive shaft	<a href="#">241049</a>	38,96 €
106	N/A: Cone handle screw, horiz.spare tyre	<a href="#">240818</a>	100,00 €	107	Plate, spare tyre screw	<a href="#">240819</a>	69,62 €
110	Wing screw 230SL FN	<a href="#">240006</a>	42,53 €	111	A3269900740 Washer, wing screw	<a href="#">240009</a>	16,54 €
113	A1158900014 Screwplate with offset lev	<a href="#">240014</a>	240,00 €	115	Spare wheel holder	<a href="#">240015</a>	463,60 €
137	Wheel nut wrench, orig, latest version	<a href="#">259101</a>	23,50 €	137	Tool bag without tools	<a href="#">258806</a>	48,79 €
140	Safety wedge f.tyre service	<a href="#">258110</a>	286,20 €	141	Mounting bolt for tyre service, chromed	<a href="#">259809</a>	49,24 €

## 35.b Info Axle Ratio

35.b Info Axle Ratio

**Infotabelle: Hinterachs-Übersetzungen für die Pagode**

SLS 2011

Achsgehäuse	Zahnradsatz Nummer	Übersetzung (Kegel : Tellerrad)	Drehzahl bei 100Km/h, (in Gang)	Einsatz für Länder "Standard" (Europa, ...)	Einsatz USA
-------------	--------------------	---------------------------------	---------------------------------	---	-------------

R113 Trommel-Brems-Hinterachse	113 350 0139	1 : 3,75	ca. 3190 (4)	230SL 4-Gg oder Autm. SERIE	
	111 350 0739	1 : 4,08	ca. 3475 (4) ca. 2950 (5)		230SL 4-Gg oder Autm. SERIE
	SLS 235106	1 : 3,28	ca. 2760 (4)	nachträgliche Umrüstung, Fachbetrieb	

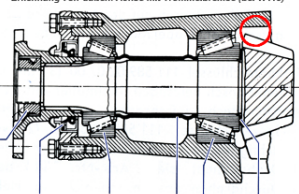
R113 Scheiben-Brems-Hinterachse	108 350 0039	1 : 4,08	ca. 3475 (4)	-	250SL 280SL USA-SERIE ->07.69
			ca. 2950 (5)	250SL Sonderausst. 5-Gang 280SL SA 5-Gang ->11.69	
	111 350 0839	1 : 3,92	ca. 3340 (4)	250SL 4-Gang oder Autm. SERIE 280SL 4-Gg./Autm. ->11.67 SERIE	280SL 4-Gg oder Autm. USA-SERIE 07.69->
				280SL 4-Gg./Autm.11.67-> mit SA 10658 "kurze Übersetzung"	
ca. 2830 (5)			280SL SA 5-Gang 11.69->		
112 350 0939	1 : 3,69	ca. 3140 (4)	250SL 4-Gg./Autm.SA "lange Übers."		
			280SL 4-Gg./Autm.->11.67 mit SA 10659 "lange Übersetzung"		
SLS 235105	1 : 3,28	ca. 2760 (4)		nachträgliche Umrüstung, Fachbetrieb	

Beispiel W108/109"V8"	108 350 0339	1 : 3,46	ca. 2950	z.B. 280/300SE/L 3.5
längere Übers.	109 350 0339	1 : 3,27	ca. 2780	z.B. 280/300SE/L 4.5
	109 350 0239	1 : 2,82	ca. 2440	300SE/L 6.3

Drehzahlangaben: gerundet, aus Quelle MB-WHB oder Umrechnungstabellen. Realwerte weichen ab aufgrund Raddimension, Reifenform, Schlupf (Autm.), Drehzahl-Messmethode

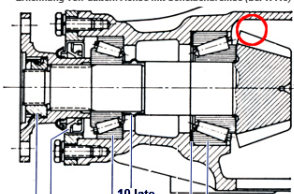
**Kegelrad Lagerung**

frühe Ausführung: Quetschhülse (10) in langer Ausführung, Einstellscheiben (12) auf Kegelradwelle. Erkennung von außen: Achse mit Trommelbremse (bei W113)



- 2 Sicherungsblech, Nutmutter
- 5 Abdichtung
- 8 / 8 late Vorderes Kegellager
- 10 / 10 late Quetschhülse
- 11 Hinteres Kegellager
- 12 / 12 late Distanzscheibe(n)

späte Ausführung: Quetschhülse (10 late) in kurzer Ausführung, Einstellscheiben (12 late) am Gehäuse-Lagersatz. Erkennung von außen: Achse mit Scheibenbremse (bei W113)

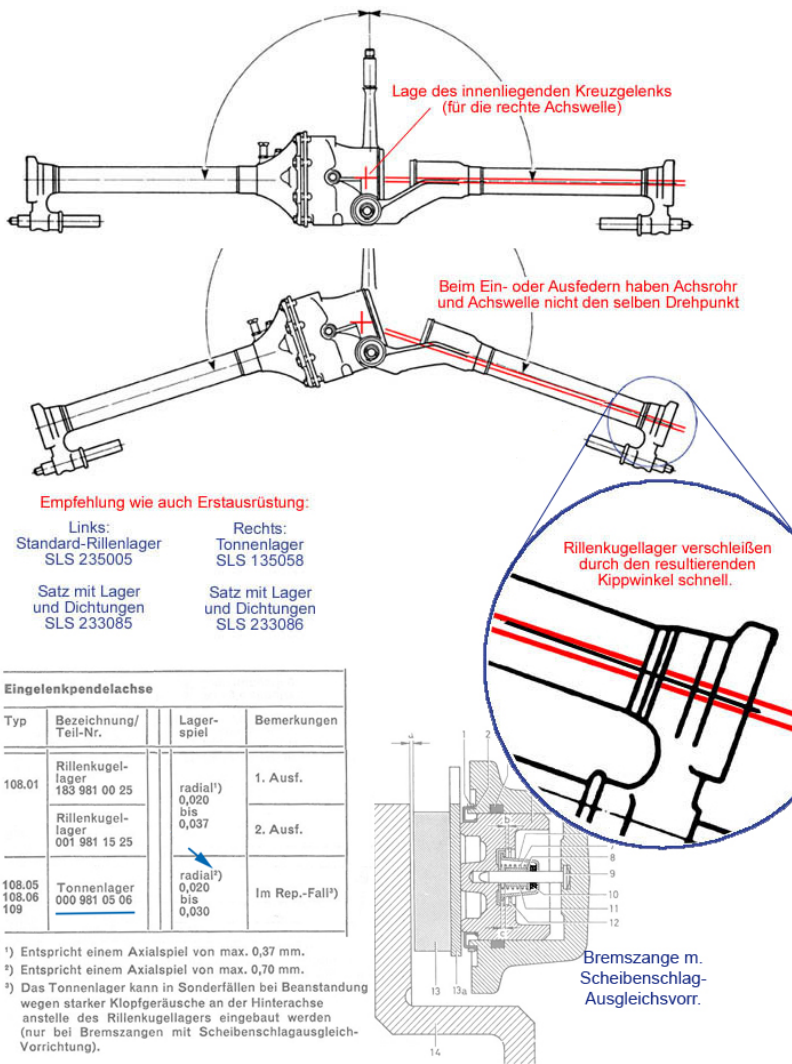


Bei Umbauten zu verlängerten Übersetzungen wächst der Raumbedarf des Kegelrades, während das Tellerrad in Zahnanzahl und Durchmesser kleiner ausfällt. Bauteile für Lagerung + Einstellung in Querrichtung (Differenzial) siehe Tafel 35.a.

2	Washer Lock for Differential Flange Nut	<a href="#">235013</a>	6,68 €	2	Diff Pinion Grooved Nut   A1113500166	<a href="#">235714</a>	36,00 €
2	Lock washer, diff. pinion nut	<a href="#">235813</a>	5,00 €	5	Seal ring,input shaft	<a href="#">235015</a>	12,98 €
8 late	Bearing, pinion wheel shaft from '68	<a href="#">235011</a>	46,55 €	8	Bearing, pinion wheel shaft up to '67	<a href="#">235816</a>	24,47 €
11	Bearg, pinionshaft	<a href="#">235818</a>	80,85 €	12 late	Distance washer 1.5mm at late pinion	<a href="#">235150</a>	49,99 €

**35.c Info Axle Bearing rear**

35.c Info Axle Bearing rear



135058 Rear axle roller bearing, RT, (drum [135858](#) shape rollers)

67,38 € 233085 Axle shaft brg./seal kit lft.

[233085](#)

58,13 €

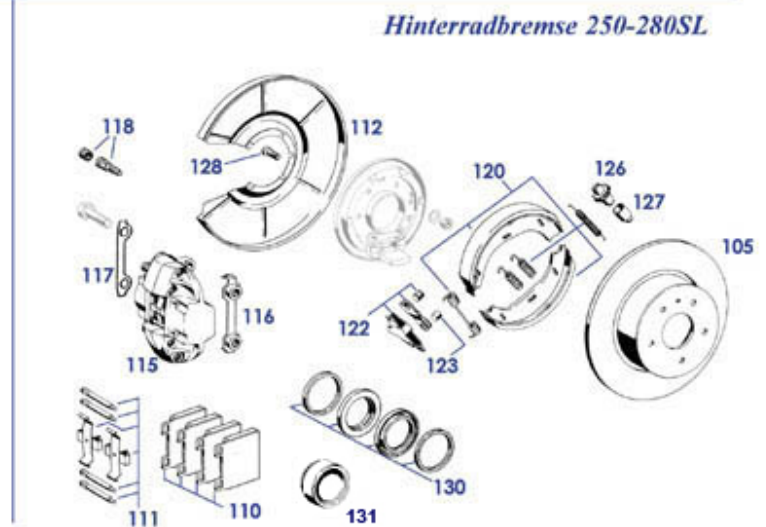
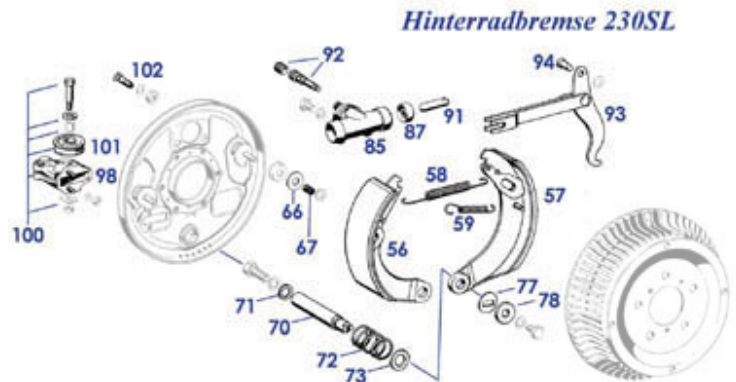
## 42 Brakes

### 42.a Brake (Wheels)

#### 42.a Brake (Wheels)



weitere Teile siehe Bildtafel „42.b Girling Bremse“  
more parts see group table „42.b Girling brake“



	plate, brake, rectangular hole, 1.0mm	<a href="#">142410</a>	6,55 €				
12	locking plate, caliper frt '66-12'76	<a href="#">242008</a>	6,19 €	13	Bolt, ATE caliper	<a href="#">242012</a>	15,61 €
25	Set brake pads frt. calipers '65-'72,ATE	<a href="#">242030</a>	51,13 €	26	hex nut M12 X 1,5 zinc plated class 10	<a href="#">233046</a>	1,58 €
26	Cover plate , 230SL rt., FN	<a href="#">242221</a>	203,00 €	26	Cover plate frt.RH from 250S/SE/SL	<a href="#">242220</a>	89,25 €
26	Cover plate , 230SL lt., FN	<a href="#">242211</a>	203,00 €	26	Cover plate frt.LH from 250S/SE/SL	<a href="#">242210</a>	89,25 €
30	Fitting kit, brake pads	<a href="#">242081</a>	14,98 €	31	set of brake pads TEXTAR	<a href="#">242731</a>	24,98 €
31	Set of Brake pads front Girling, 230SL** 220SEb**	<a href="#">242831</a>	79,00 €	31	Set of Brake pads front Girling, 230SL** 220SEb**	<a href="#">242031</a>	81,99 €
35	Brake caliper, Rt. 108-113, 115,	<a href="#">242820</a>	179,69 €	35	Brake caliper, Lt. 108-113, 115, ATE	<a href="#">242010</a>	600,95 €
35	Brake caliper, Rt. 108-113, 115, ATE	<a href="#">242020</a>	600,95 €	35	Brake caliper, Lt. 108-113, 115,	<a href="#">242810</a>	179,69 €
38	cover brake pad slot	<a href="#">242083</a>	18,74 €	40	Brake caliper seal kit, 66-72	<a href="#">242815</a>	32,64 €
40	Brake caliper seal kit, fits ATE 66-72	<a href="#">242015</a>	73,77 €	45	Bleeder valve M8 e.g. ATE early	<a href="#">242000</a>	8,32 €
45	Valve, brake cyl bleeder	<a href="#">242001</a>	9,70 €	46	spring lock washer for cheese head screws 6mm, zinc plated	<a href="#">199096</a>	0,08 €
46	hex. socket head cap screw M6X30 zinc plated	<a href="#">299052</a>	0,34 €	46	hex. socket head cap screw M6X18, zinc plated	<a href="#">299053</a>	0,22 €
46	A1084200028 Brake pipe, Lt.	<a href="#">242003</a>	205,99 €	46	A1084200128 Brake pipe, Rt.	<a href="#">242002</a>	205,99 €
56	Set late brake shoes 65mm 4pce (exchange)	<a href="#">142086</a>	305,00 €	57	Set early brake shoes 65mm 4pce (exchange)	<a href="#">142085</a>	305,00 €
58	Spring, fitting190SL from 024160 L/R, +230SL	<a href="#">142810</a>	12,25 €	59	Return spring, brake lever, fits L/R	<a href="#">142820</a>	4,61 €

72	Coil spring @ brake rear, e.g. 230SL ..	<a href="#">242862</a>	8,10 €	73	Washer rr brake, betw.spring and shoes	<a href="#">142909</a>	3,15 €
78	Washer, rr brake	<a href="#">142911</a>	15,46 €	85	Wheel cylinder rr. 19,05mm ATE 230SL	<a href="#">242070</a>	114,00 €
87	A0004211587 Protect cap,brake cyl	<a href="#">242073</a>	3,57 €	91	Push rod, 1 pce, rr wheel cyl.	<a href="#">242072</a>	11,39 €
92	Bleeder valve (M10 fine), 190brake, Steerg(Pws)	<a href="#">142003</a>	6,90 €	92	Bleeder valve cap, brake, steering	<a href="#">143041</a>	2,56 €
93	Handbrake lever, Rt.	<a href="#">142043</a>	258,65 €	98	Cable spool housing OE-NOS, L or R	<a href="#">242145</a>	59,50 €
98	Cable spool housing Repro, fits L or R	<a href="#">242845</a>	51,40 €	98	Bolt M6 at rope roll	<a href="#">142156</a>	0,75 €
100	Repr. kit,h' brake cable guide	<a href="#">242150</a>	46,56 €	101	Handbrake cable roller	<a href="#">242149</a>	95,37 €
102	Screw, backplate to axle, 250-280SL	<a href="#">242117</a>	39,98 €	110	Set of ATE rear brake pads 1965-19'72   W113-108	<a href="#">242088</a>	61,05 €
110	Satz Bremsbeläge hinten TEXTAR	<a href="#">242888</a>	41,65 €	111	ATE Accessory kit for rear brake pads	<a href="#">242082</a>	13,69 €
112	rr brake cover plate ,Lt. or Rt.	<a href="#">242840</a>	72,32 €	115	Brake Caliper rear LH 250 - 280SL (S/SE: FN)	<a href="#">242021</a>	458,40 €
115	Brake Caliper rear RH 250 - 280SL (S/SE: FN)	<a href="#">242022</a>	458,40 €	115	Brake Caliper rear RH 250 - 280SL (S/SE: FN) Budweg	<a href="#">242822</a>	314,49 €
115	Brake Caliper rear LH 250 - 280SL (S/SE: FN) Budweg	<a href="#">242821</a>	314,49 €	116	Plate , brake, with nuts	<a href="#">242029</a>	32,49 €
117	Locking plate ,caliper	<a href="#">242036</a>	3,92 €	118	Bleeder screw, rear calipers, M7	<a href="#">242011</a>	3,89 €
120	Spring @ brake shoe	<a href="#">842193</a>	1,37 €	120	Brake shoes and fitment parts, ATE link, fits new brake rope eye	<a href="#">242200</a>	60,10 €
120	Brake shoes and fitment parts, FEBI	<a href="#">242700</a>	43,44 €	122		<a href="#">242855</a>	10,65 €
130	Repair-kit for rear brake caliper   250-280SL/SE/L	<a href="#">242025</a>	57,22 €	130	Repr. kit, caliper Budweg	<a href="#">242825</a>	32,64 €
131	Piston for ATE caliper "42"   A0004232983	<a href="#">242026</a>	45,90 €	131	Piston 42mm for caliper with no stagger-compensation	<a href="#">242126</a>	46,99 €

## 42.b Girling brake-caliper

42.b Girling brake-caliper

**„Girling“**  
**3-Kolben-Bremssattel,**  
**230SL früh (bis FG ...016643)**



Da nicht mehr alle Einzelteile für die "Girling"-Bremse lieferbar sind, kann eine Umrüstung der Vorderrad-Bremse auf "ATE" empfehlenswert sein.

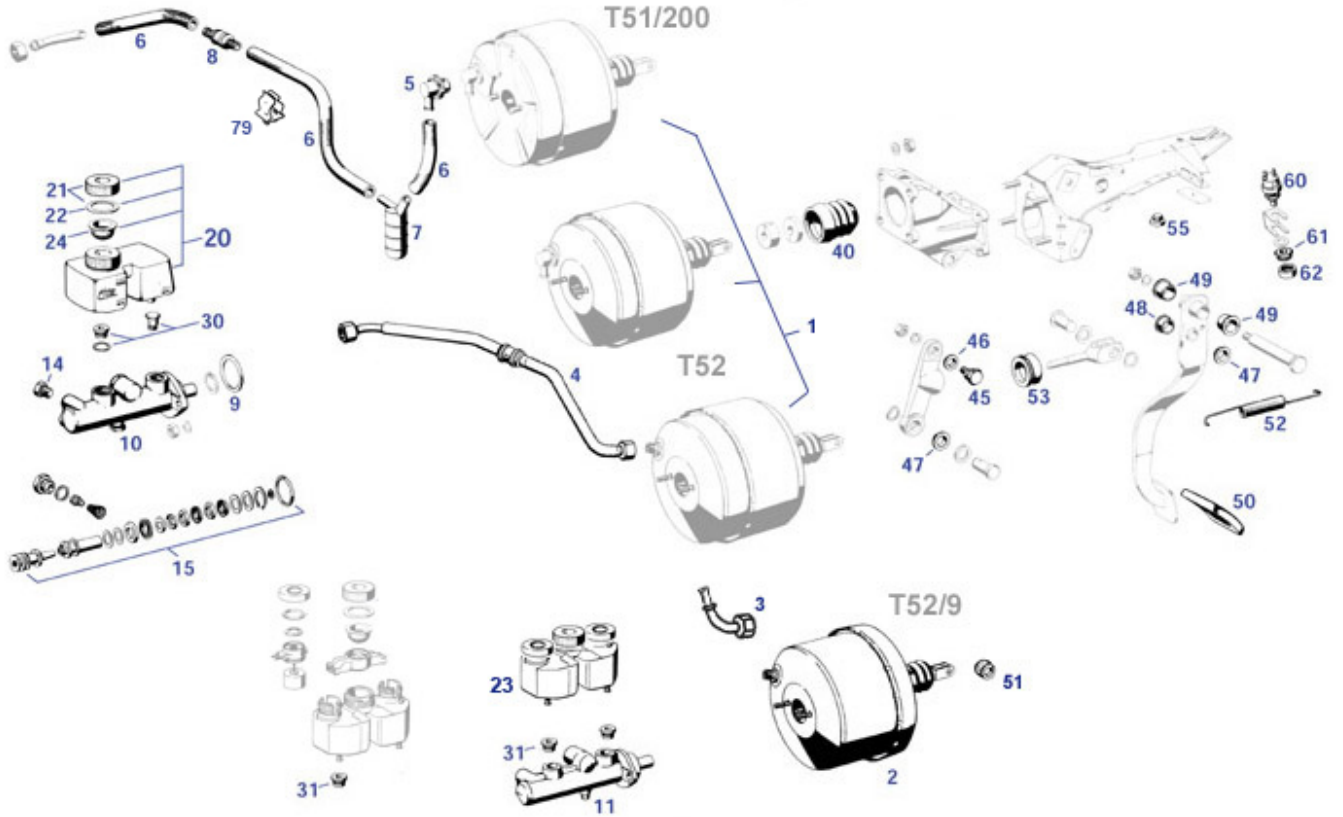


Bremssattel-Reparatursätze beinhalten keine Teile für die Zerlegung der Sattel-Hälften. Neben der üblichen Warnung vor Bremsen-Reparaturen durch unautorisiertes Personal, wird insbesondere von der Zerlegung der Sattel-Hälften abgeraten.

2	Set of Brake pads front Girling, 230SL** 220SEb**	<a href="#">242031</a>	81,99 €	2	set of brake pads TEXTAR	<a href="#">242731</a>	24,98 €
2	Set of Brake pads front Girling, 230SL** 220SEb**	<a href="#">242831</a>	79,00 €	8	Repair set, brake caliper	<a href="#">242017</a>	77,35 €

### 43 Mastercylinder

These steps of "modernization" of the brake system are also possible at a later date: - Replacement of the early 230SL-HBrZ (2 outlets) with the picture number 10 shown here (230SL with 3 outlets), please note the routing of the cables. (Workshop manual and catalogue image brake lines). - Replacement of the unavailable, early brake boosters in the last (and largest) version T52-9: Installation space and push rod will fit the hydraulic cylinder, but modifications to adjacent parts will need to be made: Pivot bolt pedal lever, bearing block at bellows, vacuum connection.

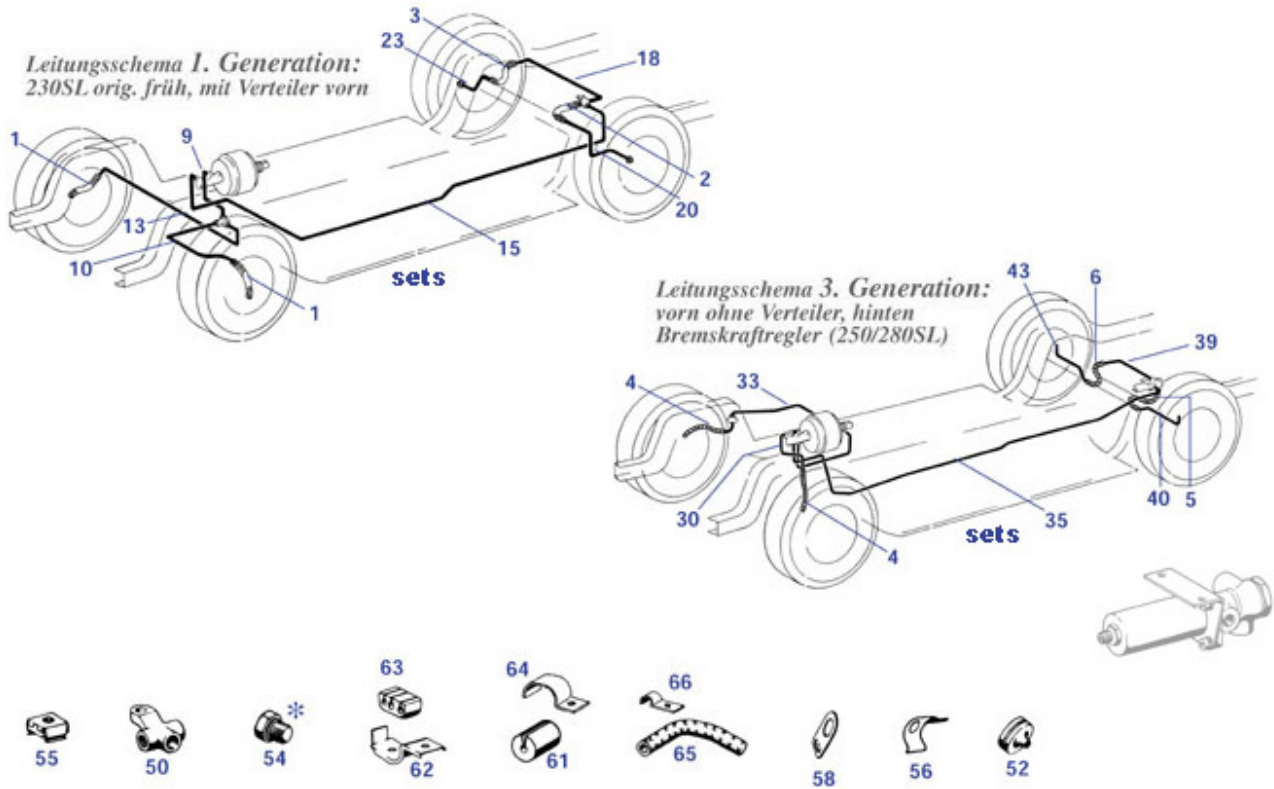


	A0004314387 Seal boot	<a href="#">243827</a>	22,00 €		Gasket, sender unit	<a href="#">243004</a>	13,74 €
	1m white vac-hose for brake vacuum	<a href="#">943782</a>	14,40 €		Grommet, reservoir to mastercyl, ca 9.'75-8.'85	<a href="#">743029</a>	8,32 €
2	boot at push rod	<a href="#">243826</a>	20,50 €	1	Repl.-Repro Brake booster T51-200 modified booster support, in exchange	<a href="#">243700</a> <a href="#">243105</a>	658,17 € 700,90 €
2	Bushing, brake linkage (if Booster new)	<a href="#">729430</a>	5,99 €	2	Tube 90° e.g. adapt T52->old hose	<a href="#">243038</a>	13,74 €
2	Brake Servo T52-9, ATE, ca. '68-'85, div. SL/SE, ..	<a href="#">243030</a>	624,75 €	3	Check valve, brake vac.	<a href="#">243016</a>	20,99 €
6	Hose, wire armed, e.g. brake-vac	<a href="#">943082</a>	19,34 €	8	Master cylinder 230SL LHD from 08143	<a href="#">243010</a>	346,10 €
9	Seal ring, servo, front	<a href="#">243017</a>	3,56 €	10	Master cylinderFN	<a href="#">243012</a>	314,99 €
11	Master cylinder 250 - 280 SL, R107 -> '74, brand AIC	<a href="#">243811</a>	103,99 €	11	Master cylinder 250 - 280 SL, R107 -> '74, brand Textar or	<a href="#">243711</a>	345,00 €
11	Master cylinderFN	<a href="#">243011</a>	339,50 €	11	Repair kit m.c.FN	<a href="#">243015</a>	121,50 €
15	Repair kit m.c.FN	<a href="#">243715</a>	24,99 €	15	reservoir, ca'62-'67 (no floater),reproduction	<a href="#">243705</a>	76,64 €
15	Repair kit m.c.FN	<a href="#">243815</a>	136,85 €	20	Reservoir from '68, fits manual pic	<a href="#">243606</a>	90,18 €
21	A0004315433 Reservoir cap	<a href="#">143023</a>	14,52 €	23	Reservoir12.67->7.75,replaced!see	<a href="#">243006</a>	367,70 €
23	part of housg. 2-pole male connector	<a href="#">254087</a>	5,12 €	23	Rubber grommet, Mastercyl. up to '67	<a href="#">243019</a>	5,44 €
23	reservoir, version similar W123	<a href="#">243706</a>	82,11 €	30	Fittings kit, master cyl reservoir ->67	<a href="#">243003</a>	50,36 €
30	o-ring seal for master cyl reservoir ->67	<a href="#">243033</a>	3,31 €	30	Bolt @ booster lever, eccentric	<a href="#">243828</a>	18,75 €
31	Rubber grommet, Mastercyl. 11.'67 -> 08.'75	<a href="#">743027</a>	6,33 €	45			

45	Eccentric bolt, brake pedal, repro	<a href="#">243028</a>	24,99 €	47	Bushing, pedal to booster link	<a href="#">229023</a>	22,00 €
50	Rubber pad, brake and clutch pedal, no name	<a href="#">229005</a>	4,71 €	53	Boot,bulkhead,brake push rod	<a href="#">229018</a>	13,01 €
60	brake light swich, 4-pole, see illustration	<a href="#">954019</a>	75,51 €	62	plastic ring, pedal stop @ brake switch	<a href="#">254107</a>	26,18 €

## 42.c Brakepipes

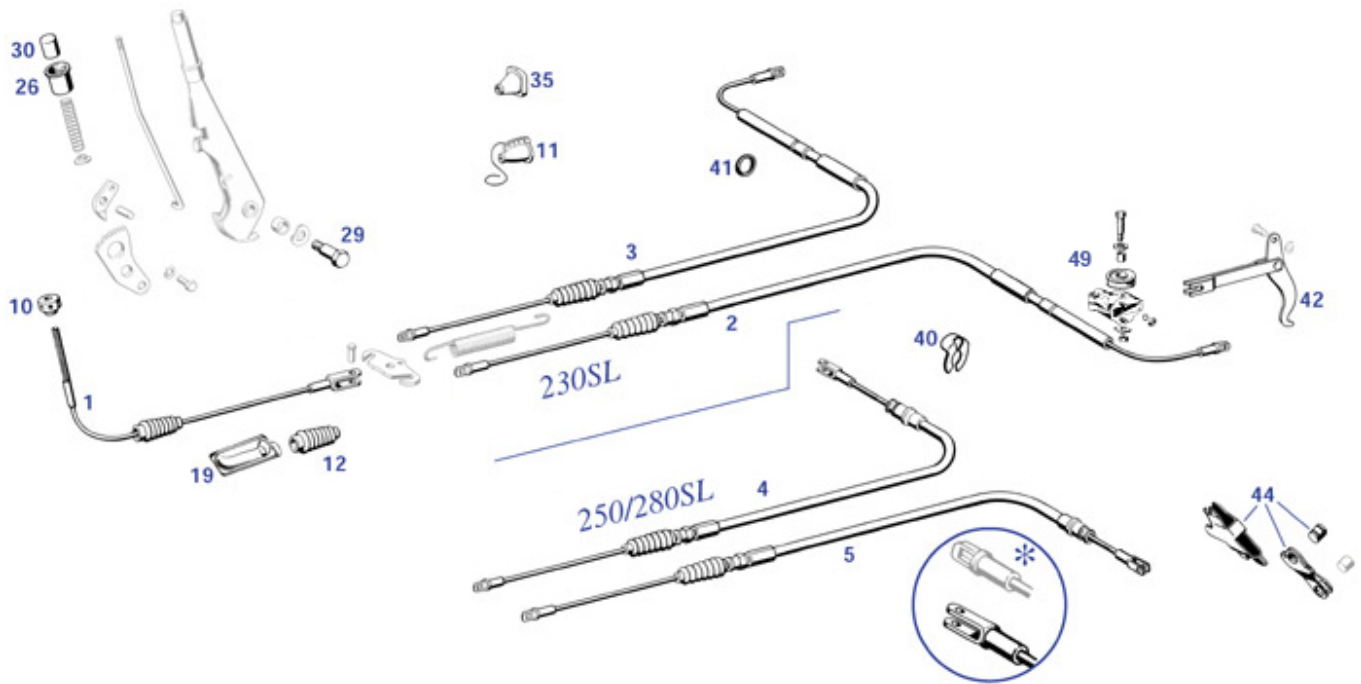
### 42.c Brakepipes



	Sheet metal screw with hexagon 5.5 X 13 galvanized	<a href="#">990102</a>	0,20 €		workshop fitting for 4.75 lines, male thread, hex 11	<a href="#">942966</a>	0,36 €
1	Brake hose, front Lt.or Rt.	<a href="#">242040</a>	30,40 €	2	Brake hose rear left up to model year 1966	<a href="#">143051</a>	31,36 €
3	Brake hose, rr.rh. 220mm, W121,113,111,108...COH	<a href="#">143052</a>	49,99 €	5	Brake hose, rear Lt.	<a href="#">242111</a>	50,99 €
10	Brake line 195mm ;, 230frt Lt.,107 rear	<a href="#">742104</a>	14,28 €	15	Brake pipe master cyl./junction, LHD	<a href="#">742065</a>	36,89 €
18	Brake pipe, rear middle 635mm	<a href="#">242064</a>	15,35 €	20	Brake pipe 525mm: rr ->'67 LH, '67-> RH	<a href="#">242101</a>	14,85 €
23	Brake pipe 430mm: rr LH 190SL+pontoon	<a href="#">142030</a>	5,68 €	30	Brakeline 450mm:R- RH(drumbrke),+frtLH'6	<a href="#">142020</a>	24,89 €
33	Brake pipe, front Rt.,late 165 cm	<a href="#">242067</a>	32,00 €	35	Brake pipe, long, ctre section, 3100mm, 250-280SL	<a href="#">242065</a>	34,50 €
40	Brake pipe, rear ctre or rr.LH, 575mm	<a href="#">242066</a>	7,89 €	50	Verteiler Bremsltg. m.Entl. hi. 57->	<a href="#">242104</a>	311,26 €
50	Distributor, brake lines, 3 conn., no bleeder	<a href="#">142008</a>	19,27 €	52	Rubber grommet 3/18, 121,113,107 and other	<a href="#">199010</a>	1,67 €
55	Cage nut M6, no locking	<a href="#">188835</a>	1,90 €	56	Retaining spring 250-280SL	<a href="#">243058</a>	1,06 €
56	Retaining clamp, brake hose	<a href="#">143036</a>	0,99 €	56	Bracket 250-280SL	<a href="#">243658</a>	1,06 €
58	Lock plate ,brake pipe,front	<a href="#">243057</a>	4,05 €	61	Rubber sleeve	<a href="#">243859</a>	2,38 €
62	3-way Clamp Fuel Pipes, W113 (EU)	<a href="#">247040</a>	2,90 €	62	Clamp, fuel pipes	<a href="#">247049</a>	2,68 €
63	Rubber protect. 2+1 pipes in clamp	<a href="#">247839</a>	7,09 €	64	Clamp, rear floor, fits 6mm wire or pipe	<a href="#">242059</a>	3,71 €
64	Clamp, bulkhead	<a href="#">242058</a>	2,44 €	65	1 m Fuel hose, 4 x 10	<a href="#">247046</a>	4,76 €

## 42.d Handbrake

42.d Handbrake



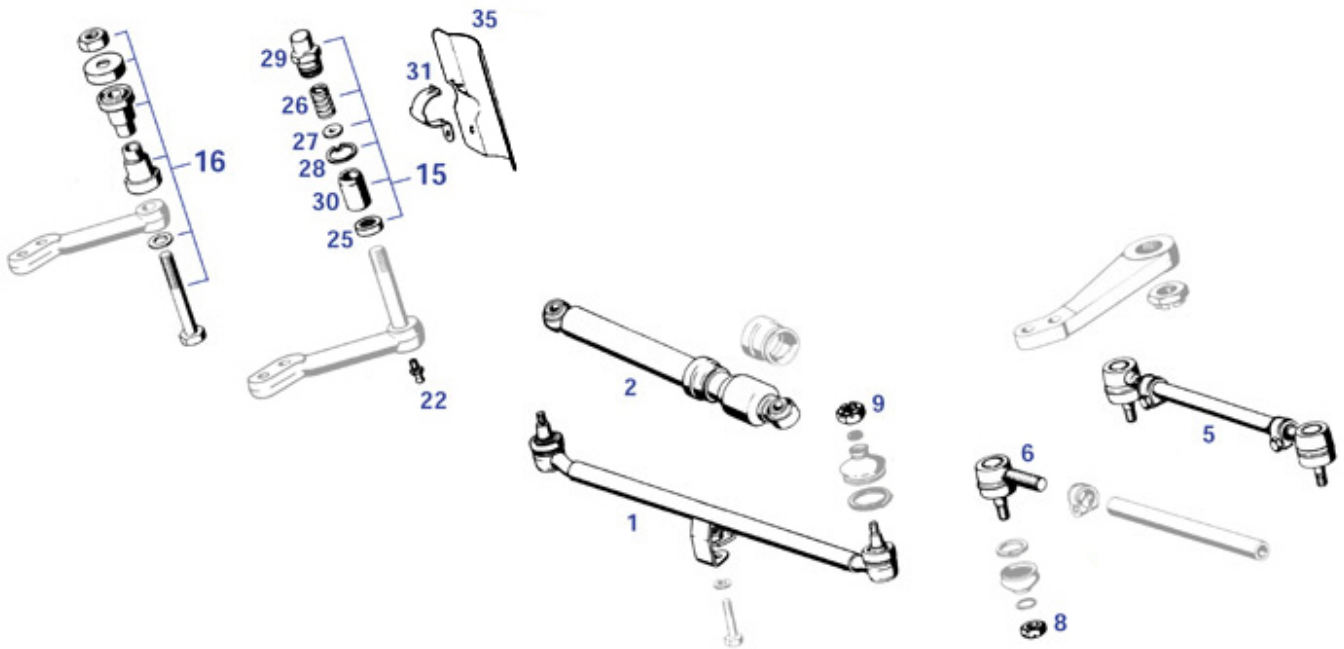
	Spring, hand brake release knob	<a href="#">242875</a>	13,61 €		Coil spring @ brake rear, e.g. 230SL ..	<a href="#">242862</a>	8,10 €
	Brake shoes and fitment parts, FEBI	<a href="#">242700</a>	43,44 €	1	as long as stock lasts! Brake cable, front, 230-280SL	<a href="#">242600</a>	81,99 €
1	Brake cable, front, 230-280SL	<a href="#">242800</a>	95,69 €	2	Parking brake cable 230SL left	<a href="#">242730</a>	95,55 €
3	Parking brake cable 230SL right	<a href="#">242740</a>	95,55 €	4	Brake cable,rr.Rt. 250-280SL	<a href="#">242180</a>	62,90 €
5	Brake cable, rr.Lt. 250-280SL	<a href="#">242170</a>	62,90 €	10	Nut, parking brake adjuster	<a href="#">242897</a>	50,24 €
10	Nut	<a href="#">242097</a>	90,64 €	11	Sleeve,brake cable	<a href="#">342037</a>	27,50 €
12	Bellows, e.g. ctr brake cable	<a href="#">242876</a>	9,39 €	19	Trough, hand brake cable R113	<a href="#">201035</a>	86,08 €
26	Sleeve, hand brake	<a href="#">242079</a>	10,19 €	29	Bolt, hand brake link	<a href="#">242148</a>	28,95 €
30	Push button, black	<a href="#">242078</a>	11,00 €	30	Push button, ivory	<a href="#">242077</a>	38,85 €
35	Rubber grommet brake rear rt late	<a href="#">242838</a>	9,31 €	35	Rubber grommet, brake rear lt late	<a href="#">242837</a>	9,31 €
40	Lock spring washer eg brake wires	<a href="#">242043</a>	2,05 €	41	Set locking shim + O-ring, brake wire R	<a href="#">242844</a>	45,99 €
42	Handbrake lever, Rt.	<a href="#">142043</a>	258,65 €	44	link, fits new brake rope eye	<a href="#">242855</a>	10,65 €
49	Cable spool housing Repro, fits L or R	<a href="#">242845</a>	51,40 €	49	locking plate, brake wire housing	<a href="#">242154</a>	7,08 €
49	Bolt, brake rope @ guide roll	<a href="#">342999</a>	27,10 €	49	Pulley, brake wire, plastic	<a href="#">242151</a>	14,30 €



## 46 Steering

### 46.a Steering, Linkage

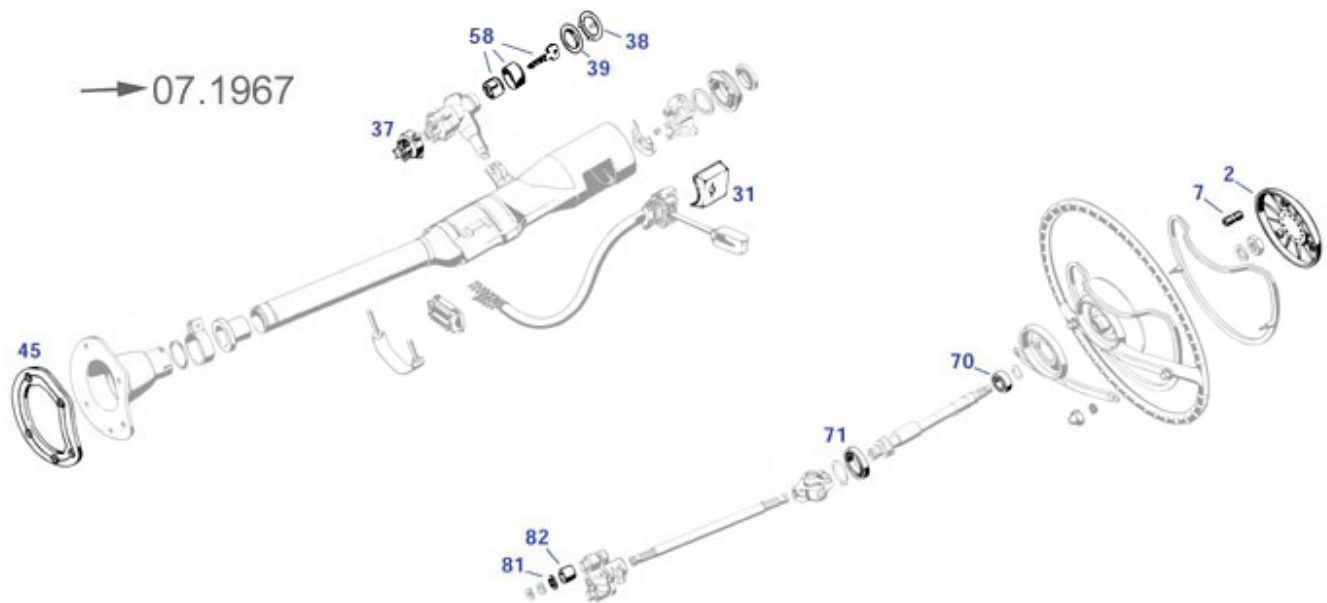
46.a Steering, Linkage



	hex.head screw M10X1X45, e.g.	<a href="#">233147</a>	0,72 €	1	set steering rod with special screw and washers	<a href="#">246660</a>	38,08 €
2	hex head screw 10.9 zinc plated M10X1X40, eg. steering damper	<a href="#">233146</a>	1,23 €	2	Steering damper	<a href="#">246080</a>	45,09 €
6	Left Tie Rod end -"Febi"	<a href="#">233091</a>	22,85 €	6	Right Tie Rod end -"Febi"	<a href="#">233092</a>	22,85 €
8	Castle nut M10X1, thin shape, early joint	<a href="#">133706</a>	2,45 €	8	hex nut M10 X 1, prevailing torque type, tie rod end	<a href="#">233094</a>	1,51 €
9	Split pin 2,5 x 25, fits crown nuts seering linkage	<a href="#">133007</a>	0,24 €	9	Cotter pin 2,0 x 25, e.g. tie rod nuts	<a href="#">299460</a>	0,12 €
9	Castle nut M10X1, long shape, early joint	<a href="#">133006</a>	2,38 €	16	Steering arm repair kit from '68 FEBI	<a href="#">246062</a>	34,45 €
22	Cap for grease nipple, red	<a href="#">333048</a>	0,65 €	22	Grease nippleFN	<a href="#">233048</a>	0,89 €
25	seal ring with plastic ring insert	<a href="#">246067</a>	9,38 €	25	Seal ring, standard part, steering link ->12.67	<a href="#">246967</a>	6,19 €
26	Thrust spring, steering link ->FN	<a href="#">246068</a>	11,28 €	27	Thrust washerFN	<a href="#">246069</a>	13,99 €
28	Locking tab ring	<a href="#">199005</a>	3,30 €	29	Cap, steering boxFN	<a href="#">246066</a>	29,55 €
30	Idler arm bushing	<a href="#">146023</a>	30,08 €	31	Fixing, shield, steering li	<a href="#">249079</a>	7,89 €
35	Protective plate ,frt well, LHD	<a href="#">249070</a>	175,86 €	35	heat protection, 113LHD up to '68	<a href="#">249065</a>	130,00 €
38	Bolt, M8x35, fits drag links	<a href="#">233199</a>	0,44 €	39	Split pin 5 X 45, eg castle nuts steering	<a href="#">246213</a>	0,43 €

### 46.b Steering Column up to 07.67

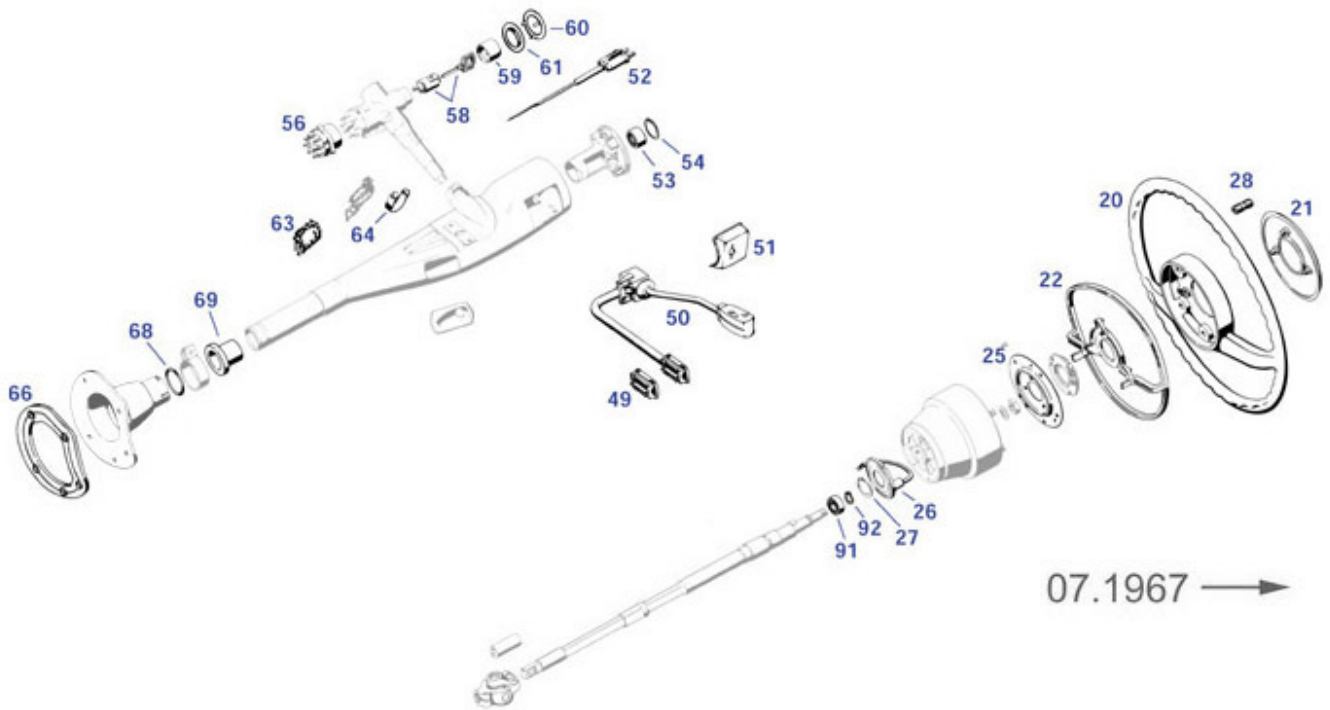
46.b Steering Column up to 07.67



	switch, ign-lock '62-'67 113...	<a href="#">246890</a>	89,25 €		Chrome nut, hub spoke ->'67 horn push	<a href="#">246215</a>	13,09 €
2	base disc for hub pad up to '67, Repro, see pict	<a href="#">246811</a>	162,14 €	30	Switch up to'67, Repro, LHD+RHD	<a href="#">246801</a>	499,80 €
31	Sleeve, steering column->switch arm	<a href="#">246007</a>	29,80 €	34	retaining rings for bores 42 X 1,75	<a href="#">246136</a>	0,60 €
37	switch, ign-lock '62-'67 113...	<a href="#">246090</a>	98,92 €	38	lock escutcheon up to '67, Brass, chromed	<a href="#">268741</a>	14,68 €
38	lock escutcheon up to '67, Alu anodized	<a href="#">268041</a>	7,98 €	39	Rubber pad, dec. ring, ->'67	<a href="#">268042</a>	16,18 €
45	Rubber gasket, 113 LHD steering column @ cabin floor	<a href="#">246708</a>	47,59 €	45	Rubber gasket, 113 LHD steering column @ cabin floor	<a href="#">246808</a>	81,46 €
47	grommet, lower steering tube to spindle	<a href="#">246849</a>	16,99 €	58	Set locking cyl. ign. with chrome cap, fits ->'67	<a href="#">246034</a>	255,85 €
70	ball bearing upper steerg column 20x42x12	<a href="#">246162</a>	9,34 €	71	Bearing in column early types (near cross joint)	<a href="#">246164</a>	25,49 €
72	retaining rings for shafts 20 X 1,2	<a href="#">299498</a>	0,26 €	73	Spring @ horn button, steering column ->'67	<a href="#">246018</a>	38,40 €
82	del.- t. Nylon bushing, Repro, early column	<a href="#">246876</a>	5,52 €	82	del.- t. Nylon bushing, Repro, early column	<a href="#">246876</a>	5,52 €
82	Nylon bushing, coupling,early PU	<a href="#">246776</a>	17,59 €	82	Nylon bushing, coupling,early PU	<a href="#">246776</a>	17,59 €

## 46.c Steerg. column from 07.67

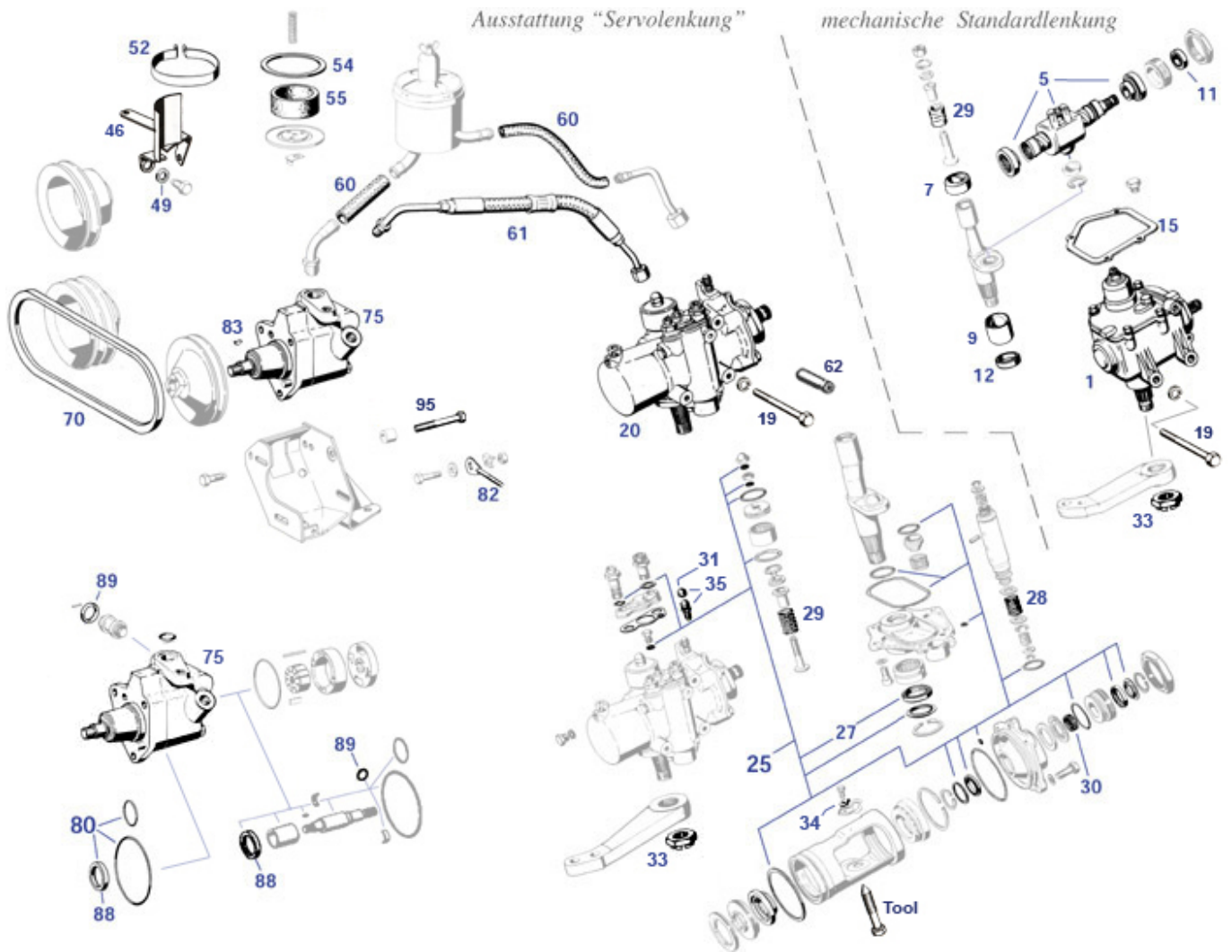
46.c Steerg. column from 07.67



	hex. head screw with UNC thread, for Vickers cast iron pump	<a href="#">246896</a>	3,45 €	21	hard plastic imitation of ctre steering pad	<a href="#">246843</a>	130,28 €
28	Fixing sleeve, s/w. hub pad 67->	<a href="#">246046</a>	1,42 €	50	Switch from '67, Repro, LHD	<a href="#">246802</a>	499,80 €
51	Sleeve, steering column LHD, '67->	<a href="#">246006</a>	28,56 €	53	Needle bearing, steering column from 1967, ref.-No. A0189816110	<a href="#">246163</a>	9,33 €
54	retaining rings for bores 42 X 1,75	<a href="#">246136</a>	0,60 €	56	A1164620093 Switch.ignition ca 67-80	<a href="#">246091</a>	79,99 €
58	Lock cyl. 250/280SL, ign.lo	<a href="#">246854</a>	82,11 €	60	Rest: escutcheon from '67, brass, chromed	<a href="#">268743</a>	14,99 €
61	Rubber ring   1967 -> 07..1979   A1156890097	<a href="#">268044</a>	4,61 €	66	Rubber gasket, 113 LHD steering column @ cabin floor	<a href="#">246708</a>	47,59 €
66	Rubber gasket, 113 LHD steering column @ cabin floor	<a href="#">246808</a>	81,46 €	69	grommet, lower steering tube to spindle	<a href="#">246849</a>	16,99 €

## 46.d Steering Gearbox, Fluid Pump

46.d Steering Gearbox, Fluid Pump



	hex. head screw with UNC thread, for Vickers cast iron pump	<a href="#">246896</a>	3,45 €	tool	Alignment bolt, steering centering	<a href="#">258460</a>	55,54 €
1	Steering gear, reconditioned, non-servo	<a href="#">246122</a>	1.362,95 €	7	Repair-bushing, upper. steerg box	<a href="#">246084</a>	33,43 €
9	Repair-bushing, lower, steerg box	<a href="#">246085</a>	21,22 €	11	Seal ring e.g. steerg box / gear box	<a href="#">227811</a>	2,44 €
12	Seal ring e.g. steering box lower late	<a href="#">146087</a>	9,47 €	15	Gasket.steering box,upper, man/noP/St	<a href="#">246086</a>	19,30 €
15	Gasket.steering box,upper, man/noP/St	<a href="#">246786</a>	10,71 €	19	Spring washer, u/j bolt	<a href="#">235303</a>	0,42 €
19	Bolt M10 x 105, 10.9, e.g. Steerg @ frame rail	<a href="#">246199</a>	7,21 €	25	Gasket kit pwr steering 108-113, brand FEBI	<a href="#">246105</a>	46,40 €
25	Gasket kit pwr steerg, div. 108-113	<a href="#">246805</a>	38,25 €	25	locking plate	<a href="#">246809</a>	1,38 €
27	Seal ring, power steering, lower	<a href="#">246081</a>	12,50 €	28	Coil spring lower, PWS	<a href="#">246128</a>	16,23 €
29	Coil spring, steering gear lever shaft pressure	<a href="#">246129</a>	16,23 €	30	Needle bearing eg. power steering upper spindle	<a href="#">246126</a>	7,64 €
31	Bleeder valve cap, brake, steering	<a href="#">143041</a>	2,56 €	33	Split pin 5 X 45, eg castle nuts steering	<a href="#">246213</a>	0,43 €
33	Castle nut steerg. box to lever	<a href="#">246219</a>	8,46 €	35	Bleeder valve (M10 fine), 190brake, Steerg(Pws)	<a href="#">142003</a>	6,90 €
46	bracket for servo reservoir	<a href="#">246247</a>	51,48 €	49	alu seal ring M12, eg.eng.block @ chain	<a href="#">298712</a>	0,80 €
52	clamp@bracket for servo reservoir	<a href="#">246248</a>	30,38 €	54	Sealing ring, fluid tank cap	<a href="#">299023</a>	3,68 €
54	Sealing ring, fluid tank cap	<a href="#">299723</a>	2,99 €	55	Filter, pws. fluid tank	<a href="#">299022</a>	29,99 €
58	Spring, PWS balancing tank	<a href="#">299030</a>	7,38 €	60	Hose clamp 23-31mm, worm thread style	<a href="#">750042</a>	1,65 €
60	1m oil hose pws-return line, i.d.15mm	<a href="#">299020</a>	28,75 €	60	Hose clamp 24-32, worm thread style	<a href="#">999889</a>	1,51 €
61	Hose, pump to power steering	<a href="#">299021</a>	129,70 €	61	Hose, hydraulic, PWS, RHD	<a href="#">290099</a>	219,00 €
62	steel tube, steering gear mount @ frame	<a href="#">262131</a>	14,22 €	70	V belt 13 X 750 e.g. PWS-pump	<a href="#">299102</a>	24,99 €

75	Pump,pwrsteerg, used, sealed, tested, (old part required!)	<a href="#">246500</a>	607,14 €	75	Pump,pwrsteerg, used, sealed, tested, (old part required!)	<a href="#">246100</a>	607,14 €
80	Short gasket kit , pws pump "cyl-shaft"	<a href="#">246104</a>	27,49 €	82	Tensioning bolt, power steering pump	<a href="#">299025</a>	30,64 €
83	woodruff key, pump shaft pws	<a href="#">246116</a>	9,50 €	88	Oil seal, PWS pump VT27	<a href="#">246144</a>	6,14 €

## 46.e Special Steering Wheels

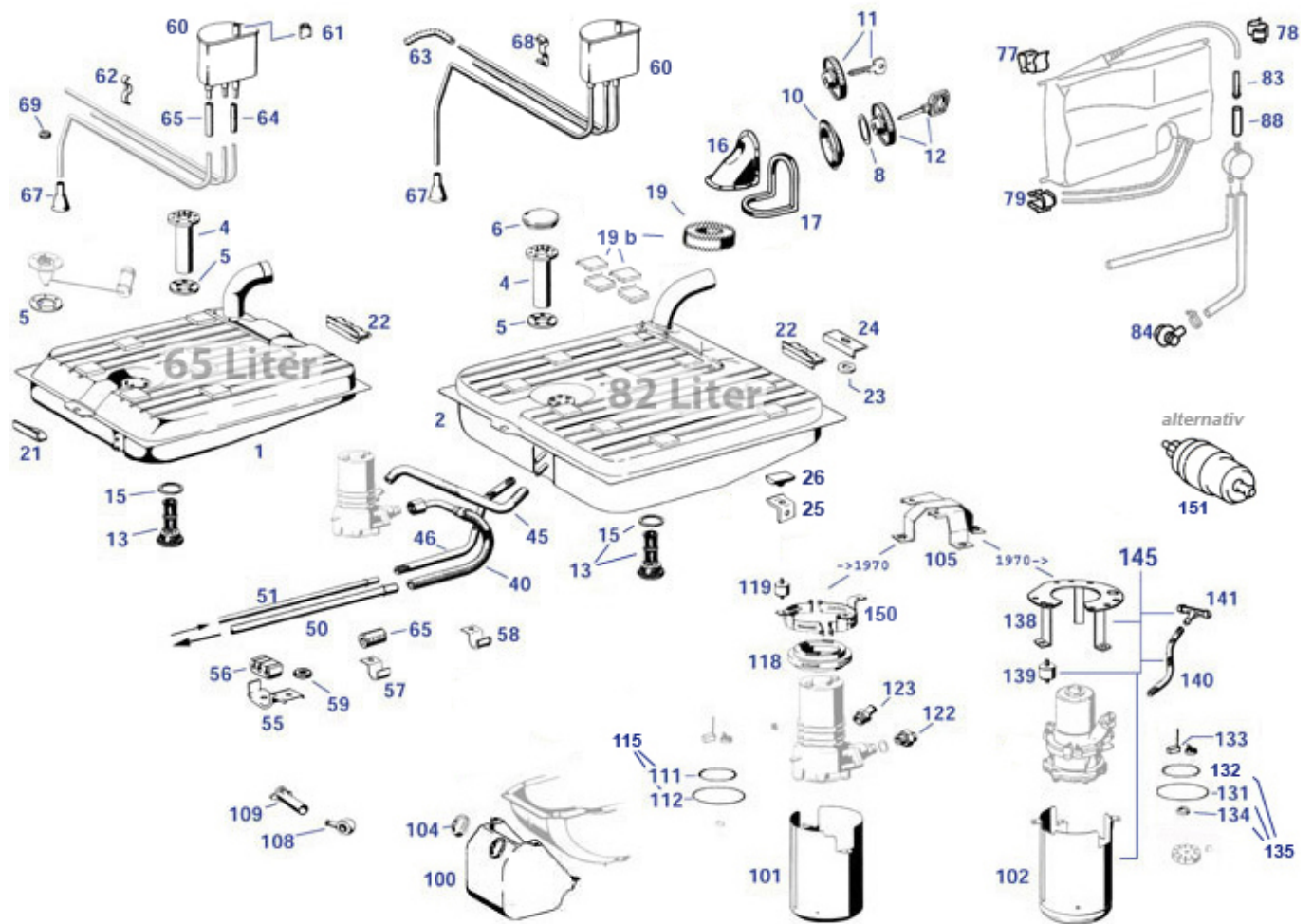
### 46.e Special Steering Wheels



1	Nardi-Classico, wd/alu 39cm no hub	<a href="#">746010</a>	545,00 €	3	Nardi horn button 1-pole	<a href="#">246023</a>	133,16 €
---	------------------------------------	------------------------	----------	---	--------------------------	------------------------	----------

# 47 Fuel Tank

47 Fuel Tank

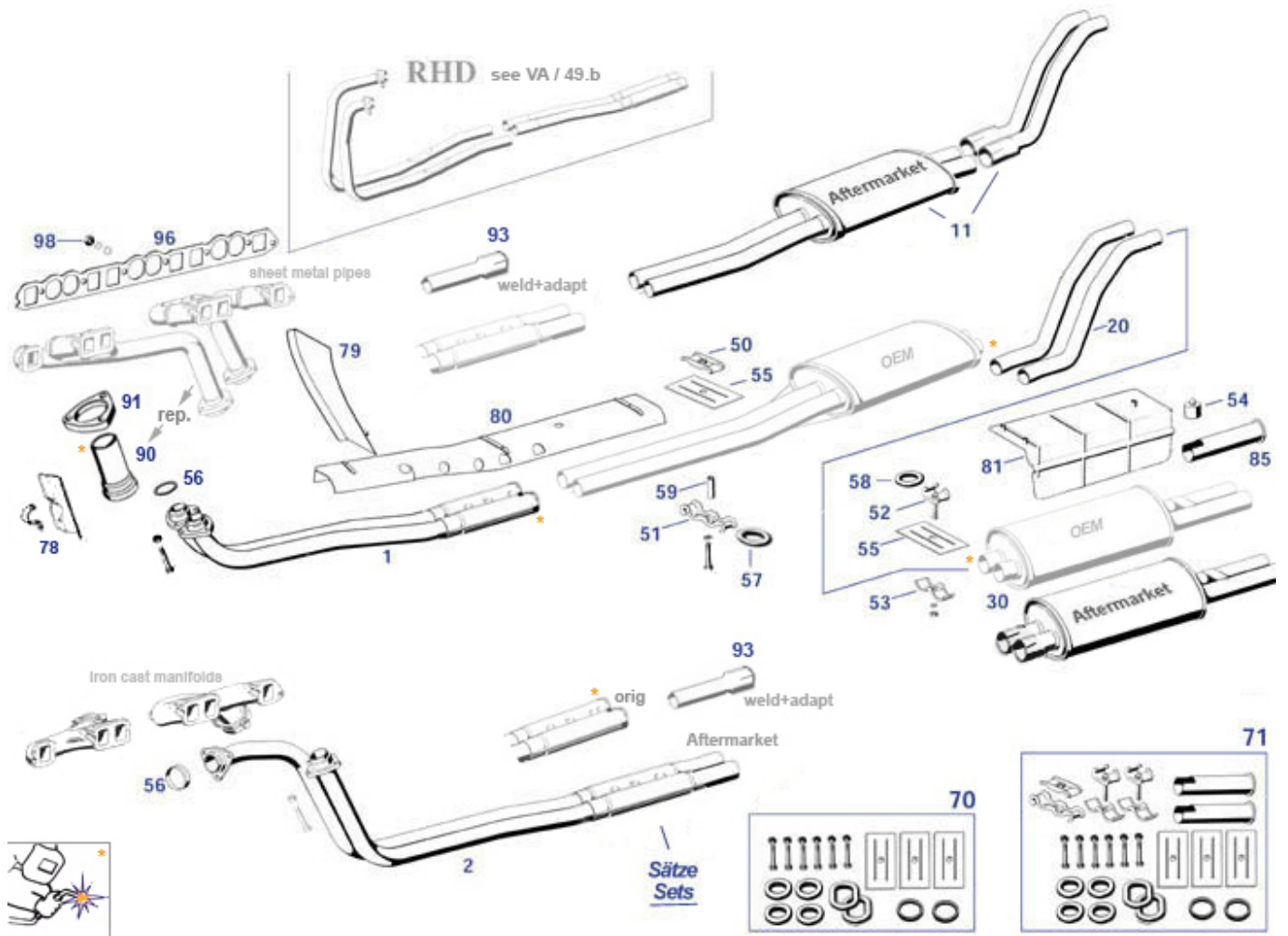


	rubber inlay, for 3 pipes (8 + 8 + 5mm)	<a href="#">247859</a>	5,63 €		Fuelpump 06.76->08.85+300SL	<a href="#">747006</a>	71,61 €
	neoprene 6mm, self-adhesive, 1/sqm	<a href="#">968035</a>	31,50 €		hose clamp 10-16, worm thread style	<a href="#">999888</a>	1,84 €
	Pipe,ff - fp.250-280SL, flexible section	<a href="#">247719</a>	69,00 €		impeller disc, small feeder pump 280SE/SL	<a href="#">247070</a>	118,99 €
2	clamp inlay	<a href="#">747038</a>	1,84 €	1	Damping set, filler neck->boot	<a href="#">247689</a>	31,83 €
	Fuel tank 82ltr, 230SL late 250-280SL	<a href="#">247009</a>	970,50 €	4	fuel sender, 250/280SL, Repro	<a href="#">247606</a>	189,89 €
5	Gasket for fuel sender 1956-1972   A1104710180	<a href="#">147015</a>	1,48 €	6	Cover above fuel sender, plastic,black	<a href="#">347014</a>	7,79 €
6	round cover above fuel sender,Repro	<a href="#">247814</a>	5,20 €	8	Seal ring @ gas cap	<a href="#">247010</a>	2,98 €
10	Grommet for Fuel filler neck	<a href="#">247811</a>	24,10 €	13	threaded plug with filter element	<a href="#">247012</a>	20,35 €
15	Seal ring, tank filter	<a href="#">247013</a>	2,19 €	16	Cover plate, filler neck	<a href="#">269020</a>	31,77 €
17	Edge protection profile mtr, eg trunk	<a href="#">269010</a>	3,80 €	17	16 m sealing compound strip 3mm black	<a href="#">699996</a>	10,59 €
19	Foam sealing ring, filler neck->boot	<a href="#">269030</a>	7,13 €	21	Bracket, fuel tank front	<a href="#">247066</a>	37,08 €
22	Retainer, spring, fuel tank	<a href="#">247062</a>	41,44 €	23	Shim, Exh/Tank support	<a href="#">298776</a>	2,83 €
24	Clamp, fuel tank, rear	<a href="#">247026</a>	5,77 €	26	Rubber buffer	<a href="#">298895</a>	2,63 €
40	Hose,ff.,230SL to vn.013014, W111, ..	<a href="#">247002</a>	44,95 €	40	Hose clamp 15mm	<a href="#">947997</a>	3,09 €
40	Fuel hose, forwards 230-280SL	<a href="#">247031</a>	47,59 €	45	1m Fuel hose tank->pump 11/17mm, fabric	<a href="#">247005</a>	10,41 €
46	1m. Fuel hose 7,5x13,0 flat surface	<a href="#">247007</a>	8,50 €	46	1m fuel hose 7,5x12,5 fabric surface	<a href="#">247807</a>	7,13 €
50	Fuelfeedline230-280SL	<a href="#">247032</a>	115,00 €	51	Return fuel line   about 300 cm	<a href="#">247027</a>	101,95 €
55	Clamp, fuel pipes	<a href="#">247049</a>	2,68 €	55	3-way Clamp Fuel Pipes, W113 (EU)	<a href="#">247040</a>	2,90 €

55	Clamping Bolt M6 for square bodypanel holes	<a href="#">188036</a>	7,90 €	56	Rubber protect. 2+1 pipes in clamp	<a href="#">247839</a>	7,09 €
57	Clamp,pipe,front, outrigger	<a href="#">247052</a>	5,94 €	58	Clamp,pipe,under body,rear	<a href="#">247053</a>	7,69 €
59	rubber washer fits M6	<a href="#">299081</a>	1,19 €	60	expansion reservoir for fuel tank ventilation	<a href="#">247868</a>	140,00 €
62	Washer 6.4 large, yellow zinced	<a href="#">299276</a>	0,18 €	62	Clamp, expansion tank 6mm/9mm	<a href="#">247069</a>	9,70 €
64	1 m Fuel hose, 4 x 10	<a href="#">247046</a>	4,76 €	65	Hose, 8,5/15mm, 1 metre	<a href="#">247050</a>	12,60 €
67	Sleeve, tank ventilation	<a href="#">247079</a>	7,95 €	68	Clip,tank ventilating pipe	<a href="#">247055</a>	17,30 €
69	Grommet, 4,5/10mm, cable@wheelarch	<a href="#">182005</a>	2,53 €	78	Clip, cable	<a href="#">254073</a>	1,09 €
84	Grommet, tank vent pipe through carbody	<a href="#">147070</a>	6,52 €	88	1m Fuel hose 5,5mm e.g. 107-fuel vent.	<a href="#">247847</a>	8,98 €
100	Pump case,f.230SL w.spare tyre well	<a href="#">247060</a>	230,21 €	101	Hood,fuel pump, mid.generation	<a href="#">247061</a>	226,43 €
101	Hood,fuel pump, mid.generation	<a href="#">247861</a>	202,29 €	102	Case,fuel pump after '70 or new pump	<a href="#">247821</a>	175,00 €
104	Rubber grommet	<a href="#">299005</a>	2,59 €	105	Upper bracket ref 1134700081, needs work	<a href="#">247080</a>	67,00 €
105	N/A upper bracket late, try 247080	<a href="#">247081</a>	109,24 €	108	Ring eyelet, crimp, uninsulated, high-temp. MS sn, ID4.2	<a href="#">997989</a>	0,51 €
108	Ring eyelet, crimp, uninsulated, high-temp. MS sn, ID5.3	<a href="#">997988</a>	0,33 €	112	Seal ring,lower,early	<a href="#">247037</a>	4,55 €
115	Sealkit for early fuel pump (W108-113)	<a href="#">247100</a>	49,99 €	118	Ring, early fuel pump rubber mount	<a href="#">247033</a>	47,10 €
119	Rubber mount, e.g. Fuel pump, Air box	<a href="#">247828</a>	4,50 €	130	Grommet for Fuel Pump Wiring	<a href="#">299018</a>	2,53 €
131	Seal ring, late style pump, @lowr housg	<a href="#">247041</a>	3,74 €	132	Sealing ring, late pump, upper	<a href="#">247044</a>	4,17 €
133	carbon brush, small pump	<a href="#">254867</a>	18,99 €	134	Seal ring in late style fuel pump, inne	<a href="#">247048</a>	2,73 €
134	Seal ring small, late pump, 3x req.	<a href="#">247057</a>	2,05 €	134	Alu ring 22mm	<a href="#">199924</a>	0,60 €
134	Copper ring fits M4 screws	<a href="#">247051</a>	0,43 €	138	Mount, fuel pump,late	<a href="#">247022</a>	46,67 €
139	Rubber buffer,fuel pump,late	<a href="#">247023</a>	4,74 €	139	Rubber mount e.g. small fuel pump	<a href="#">247823</a>	3,90 €
141	T-connector, fuel hoses	<a href="#">247015</a>	4,76 €	150	Bracket for early fuel pump 90mm	<a href="#">247635</a>	89,90 €
150	Clamp,early ,first half	<a href="#">247035</a>	122,71 €	150	Clamp,early ,second half	<a href="#">247036</a>	127,90 €
151	el. fuel feed pump, usable for W113	<a href="#">547001</a>	114,50 €	151	1m Fuel Hose 14/22mm	<a href="#">747029</a>	37,28 €

## 49 Exhaust Systems

### 49.a Exhaust System, standard

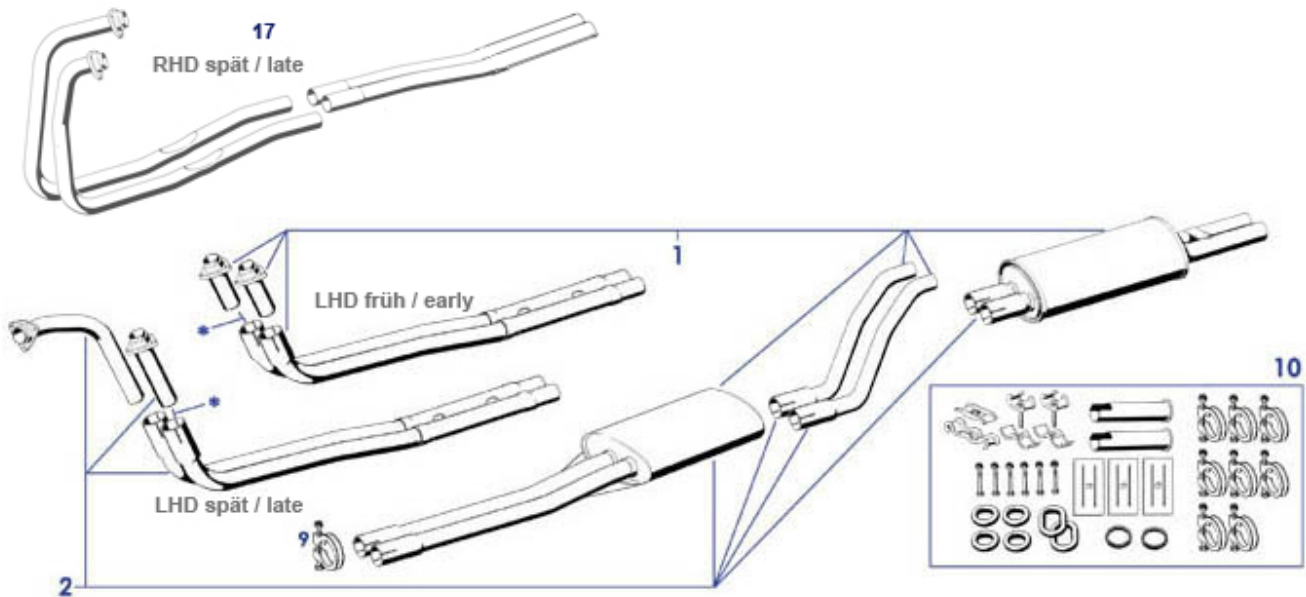


	Clamp, rear, upper, steel, zincd	<a href="#">249714</a>	9,70 €	1	Conn-pipe + reducer adapts welded front	<a href="#">249801</a>	18,22 €
1	Front pipe 230LHD early, steel, coated, design as original	<a href="#">249001</a>	239,67 €	2	Front pipe LHD '66->, steel, fits 949017	<a href="#">249800</a>	349,21 €
2	Front pipe LHD '66->, steel, weld-fit sleeve clamp 40-44mm, fits 249800	<a href="#">249000</a> <a href="#">949017</a>	240,50 €	11	Center Silencer 3-pcs, aftermarket	<a href="#">249808</a>	199,99 €
11	Front pipe LHD '66->, steel, weld-fit	<a href="#">249000</a>	10,50 €	20	Conn. pipe rear, steel, weld-system	<a href="#">249020</a>	40,01 €
30	Rear silencer, zn-al-plated, R113	<a href="#">249032</a>	158,20 €	50	Exh.-bracket, centre upper	<a href="#">249013</a>	9,89 €
51	Clamp, middle, lower	<a href="#">249012</a>	9,14 €	52	Spacer sleeve (e.g. exhaust bracket)	<a href="#">849819</a>	3,76 €
52	Clamp, rear, upper	<a href="#">249014</a>	13,78 €	53	Clamp, rear, lower	<a href="#">249011</a>	6,75 €
54	Rubber buffer, exhaust	<a href="#">798747</a>	1,18 €	54	Rubber buffer, floor/exhaust, others...	<a href="#">249818</a>	4,68 €
55	Insulating plate	<a href="#">249015</a>	8,62 €	56	Sealing ring, exhaust manif. inner diameter 30, rubberstring 15	<a href="#">249060</a> <a href="#">249019</a>	2,37 € 1,90 €
57	Rubber ring, universal, exhaust, 69x45x1	<a href="#">549016</a>	2,65 €	58			
59	Spacer for Exhaust Hanger Bracket	<a href="#">249847</a>	3,99 €	78	heat protection, 113LHD up to '68	<a href="#">249065</a>	130,00 €
78	Fixing, shield, steering li	<a href="#">249079</a>	7,89 €	79	Protective plate ,frt well, LHD	<a href="#">249070</a>	175,86 €
80	Tapping screw Phillips 4,2x9,5	<a href="#">799936</a>	0,15 €	80	Front Heat Shield for Exhaust Pipes, centre section	<a href="#">249080</a>	227,24 €
80	Panelling screw 4,8 x 13	<a href="#">799933</a>	0,32 €	81	Heat prot. shield, rr. silencer	<a href="#">249085</a>	118,70 €
85	Tail pipe, chrome	<a href="#">249733</a>	22,85 €	85	Tail pipe, chrome, Premium quality	<a href="#">249033</a>	31,57 €
90	Rep.-section, tube, fits early 230-mani	<a href="#">214818</a>	113,05 €	91	Flange	<a href="#">249044</a>	42,48 €
96	Gasket Intake/Exhaust M127-130, ELRING	<a href="#">249990</a>	14,76 €	96	Manifold Gasket M127-130   "REINZ"	<a href="#">249090</a>	14,40 €
98	Washer 2mm, thick, exh-manif, bumpers .	<a href="#">214008</a>	0,56 €	98	Nut, M10, exh manifold	<a href="#">114008</a>	1,25 €



214100	Exhaust manifold for laste W113 (used) Cylinder 1-3	<a href="#">214101</a>	512,89 €	214100	Exhaust manifold for late W113 (used) Cylinder 4-6	<a href="#">214100</a>	1.190,00 €
249048	Screw M8x55 exhaust bracket	<a href="#">249048</a>	0,96 €	249049	Bolt M8x50, e.g. exh front pipe flange	<a href="#">249049</a>	1,26 €

## 49.b Stainless Steel Exhaust 230SL 250SL 280SL

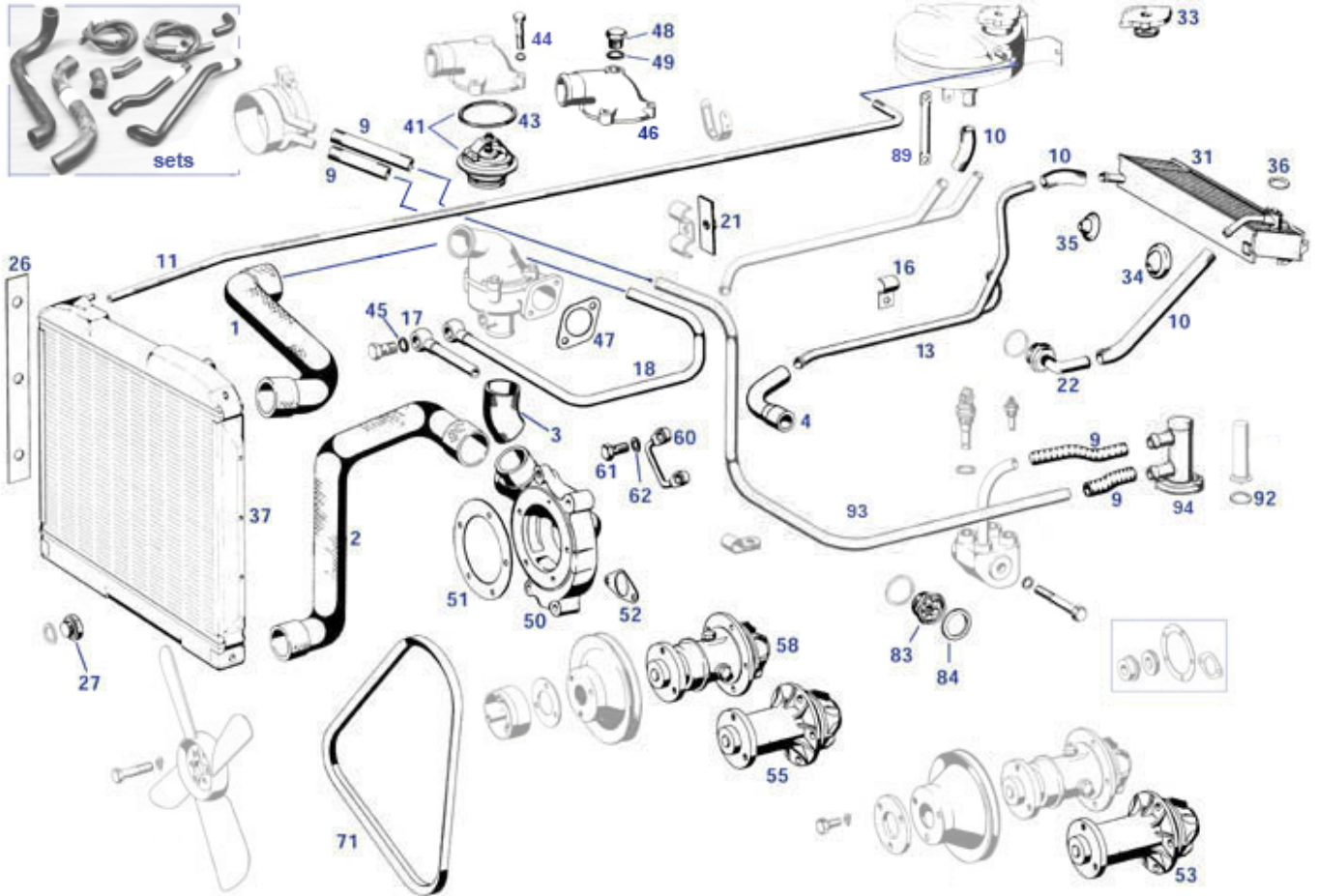


9	HD clamp 45mm 3D-shape zincd steel	<a href="#">249017</a>	6,55 €	9	Clamp 45mm, shape see picture	<a href="#">249817</a>	3,34 €
17	sleeve clamp 40-44mm, fits 249800	<a href="#">949017</a>	10,50 €	249031	Stainl steel rear muffler 113	<a href="#">249031</a>	389,00 €

## 50 Cooling System

### 50.a Cooling System 230SL

50.a Cooling System 230SL

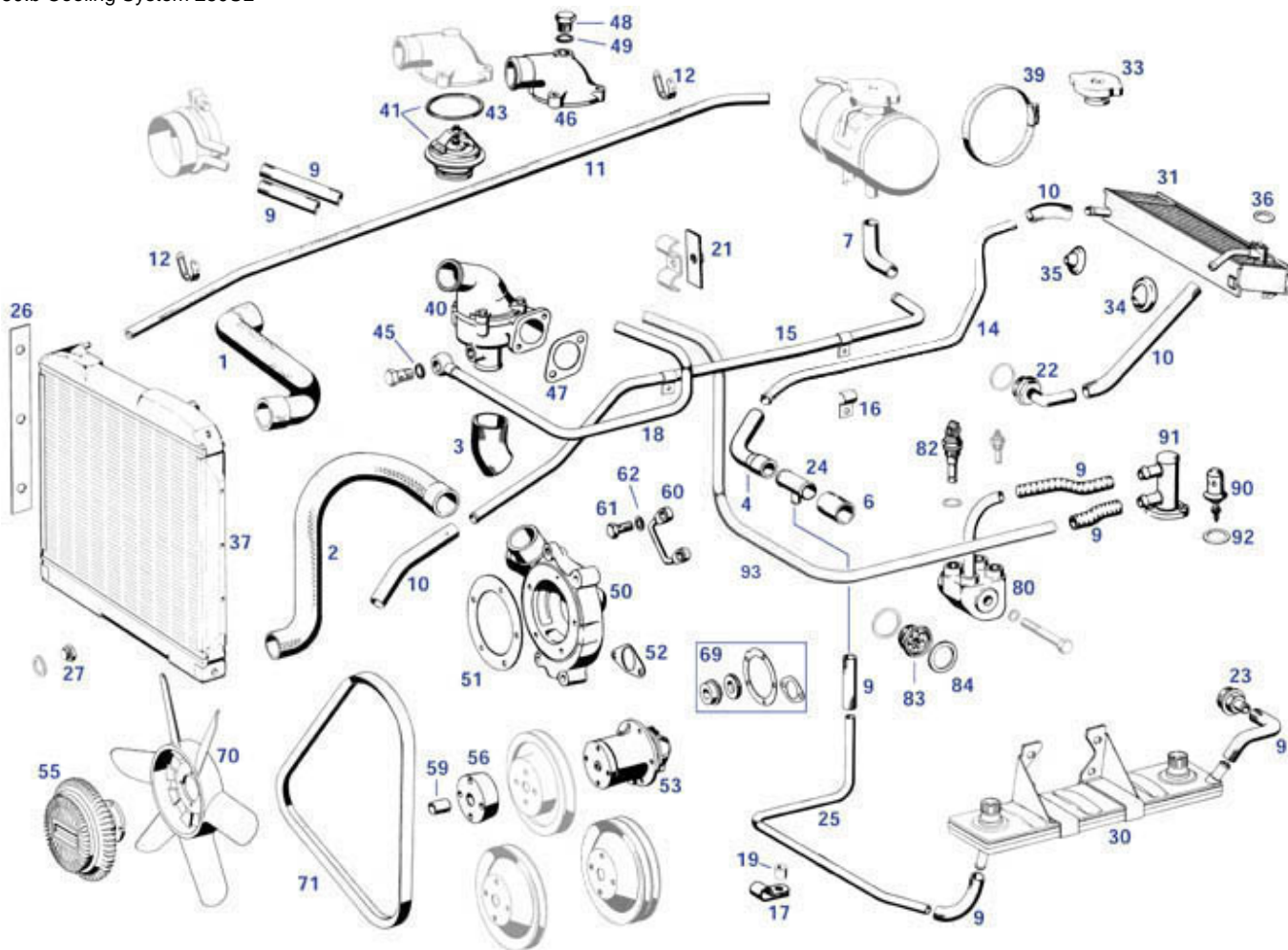


	bolt M8 / hex 10, pump->fan (veh w.distancer) L40	<a href="#">220046</a>	7,14 €	1	Hose,radiator,top	<a href="#">250012</a>	27,05 €
1	Hose clamp 46-54mm	<a href="#">750346</a>	1,94 €	2	Hose, radiator lower, 230SL up to 08.'64	<a href="#">250024</a>	51,00 €
2	Hose,radiator,bottom,late FN	<a href="#">250014</a>	34,00 €	3	Hoseclamp 31 to 44mm	<a href="#">250046</a>	2,00 €
3	Hose,waterpump/thermostat	<a href="#">250004</a>	10,00 €	4	Water hose heater return, diam. reduce	<a href="#">250028</a>	20,94 €
4	CL hose, bent w. reducer, e.g.returnlin	<a href="#">250808</a>	6,38 €	4	Hose clamp 23-31mm, worm thread style	<a href="#">750042</a>	1,65 €
9	1m cooling water hose 12/19mm	<a href="#">250823</a>	7,14 €	10	Water hose, i/D 18mm per metre	<a href="#">250019</a>	19,10 €
11	Water hose, 8/15mm per metre	<a href="#">250016</a>	24,50 €	12	Hose strap, replaces hose clamp	<a href="#">250099</a>	0,55 €
13	Water pipe w junction, 230SL LHD	<a href="#">283083</a>	187,53 €	16	Clamp, rad.water return pipe	<a href="#">250098</a>	2,78 €
16	Clamp, rad.water return pipe	<a href="#">250898</a>	1,19 €	17	A1272000452 Pipe, thermostat to fuel in	<a href="#">220070</a>	229,50 €
18	N/A ! Pipe,t'stat to cold start	<a href="#">220071</a>	44,03 €	22	Elbow, hot water head to heater	<a href="#">220819</a>	115,05 €
27	see 207115 Copper shim	<a href="#">799309</a>	1,06 €	31	We would be happy to advice you Heater radiator overh. used	<a href="#">283818</a>	638,90 €
33	Cap, cooling liquid "ID 100",   W121&113	<a href="#">150017</a>	29,75 €	34	Rubber grommet, inlet	<a href="#">299003</a>	3,55 €
35	Rubber grommet, return	<a href="#">299004</a>	0,50 €	36	Sealing ring, heater valve	<a href="#">283022</a>	2,31 €
37	We would be happy to advice you Radiator,overhauled,automatic	<a href="#">250201</a>	950,80 €	37	We would be happy to advice you Radiator,overhauled>manual	<a href="#">250200</a>	654,50 €
41	Thermostat cartridge/gkt. 83°	<a href="#">220009</a>	27,00 €	41	Thermostat cartridge/gkt. 79°	<a href="#">220008</a>	31,05 €
43	Seal ring	<a href="#">220016</a>	1,31 €	44	Hex bolt w. slot M6, thermostat housin	<a href="#">220018</a>	0,71 €
44	Bolt M6, yellow zincd, thermo.housing	<a href="#">220017</a>	0,29 €	45	Seal ring 16x20, copper, e.g. hollow bolts	<a href="#">220013</a>	0,67 €
46	Cap, thermostat housing, latest design (w.extra-hole)	<a href="#">220834</a>	46,99 €	47	Gasket, thermostate	<a href="#">120011</a>	2,02 €

48	Drain plug screw M14 x 1,5 (rad. / eng,..)	<a href="#">250027</a>	2,70 €	49	Seal ring 14mm Alu	<a href="#">207186</a>	1,08 €
50	Housing, water pump M108-M130	<a href="#">220804</a>	83,30 €	51	Gasket, water pump	<a href="#">220006</a>	4,28 €
51	Screw M6 e.g. Bonnet hinges	<a href="#">299289</a>	0,38 €	52	Gasket, housing to engine	<a href="#">220014</a>	1,25 €
53	Water pump, 3 hole, maintenance-free	<a href="#">420020</a>	138,99 €	55	Water pump, L=75mm, 3-hole, non service	<a href="#">220020</a>	99,96 €
60	Pipe,water air venting	<a href="#">220005</a>	27,39 €	61	Hollow screw, air venting	<a href="#">220010</a>	2,48 €
62	Sealing ring ID8, eg. for hollow screw	<a href="#">220011</a>	0,65 €	71	V belt 10 X 875 eg. 230SL	<a href="#">299106</a>	4,70 €
83	Fitting, engine to water distributor M127, 129, 130E	<a href="#">220091</a>	31,19 €	89	Alternator		
92	Sealing ring	<a href="#">207149</a>	0,88 €	93	Support rod, early reservoir 230SL	<a href="#">250039</a>	38,38 €
93	Bracket, pipe bundle and eng.hangup	<a href="#">220074</a>	26,60 €	94	Water pipe, throttle housing to inj-thermostat	<a href="#">220051</a>	119,61 €
145	Hollow screw,early M16X1,5	<a href="#">220012</a>	5,89 €	120033	Housing only, 230SL inj. thermostat	<a href="#">207156</a>	199,54 €
220098	Hex.head screw 8.8 M8 X 80 zinc plated	<a href="#">220098</a>	0,57 €	220118	sealing ring copper 32	<a href="#">120033</a>	1,31 €
					sealing ring, aluminium 30mm	<a href="#">215032</a>	0,81 €

## 50.b Cooling System 250SL

50.b Cooling System 250SL

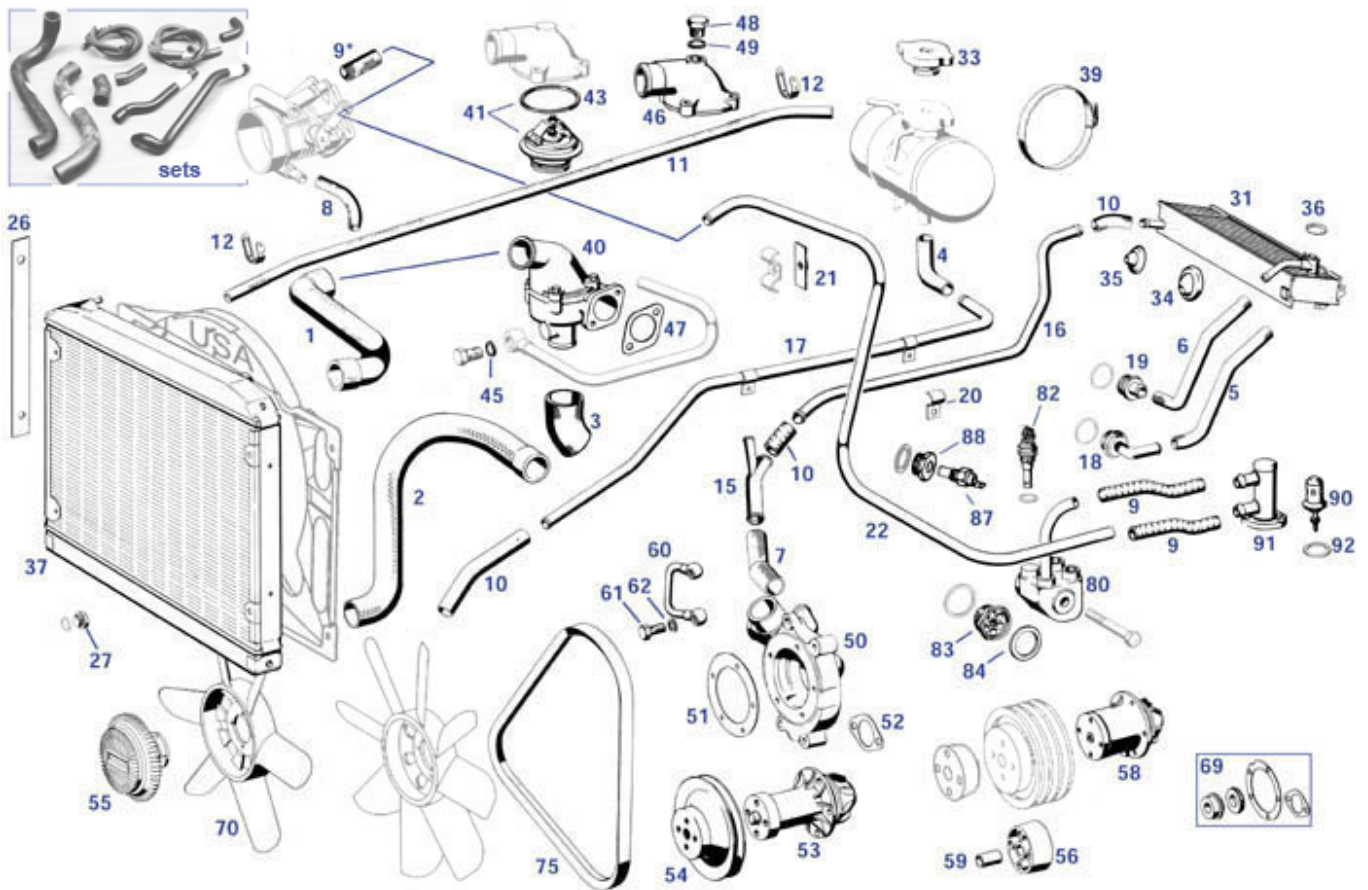


	Radiator, new 250 SL - LHD, ALU-REPRO	<a href="#">250110</a>	670,89 €	1	Hose,radiator,top	<a href="#">250012</a>	27,05 €
1	Hose clamp 46-54mm	<a href="#">750346</a>	1,94 €	2	Hose, radiator, lower, 250/280SL	<a href="#">250015</a>	36,79 €
3	Hoseclamp 31 to 44mm	<a href="#">250046</a>	2,00 €	3	Hose,waterpump/thermostat	<a href="#">250004</a>	10,00 €
4	CL hose, bent w. reducer, e.g.returnlin	<a href="#">250808</a>	6,38 €	4	Water hose heater return, diam. reduce	<a href="#">250028</a>	20,94 €
7	Elbow, comp. tank to radiator	<a href="#">250018</a>	22,00 €	9	1m cooling water hose 12/19mm	<a href="#">250823</a>	7,14 €
10	Water hose, i/D 18mm per metre	<a href="#">250019</a>	19,10 €	11	Water hose, 8/15mm per metre	<a href="#">250016</a>	24,50 €
12	Hose strap, replaces hose clamp	<a href="#">250099</a>	0,55 €	14	Return pipe, version see photo	<a href="#">283085</a>	84,35 €

15	Pipe, comp. tank to radiator	<a href="#">250003</a>	176,19 €	16	Clamp, rad.water return pipe	<a href="#">250898</a>	1,19 €
16	Clamp, rad.water return pipe	<a href="#">250098</a>	2,78 €	17	Bracket clamp, warmup air pipe, waterp.	<a href="#">220087</a>	2,84 €
18	N/A ! Pipe,t'stat to cold start	<a href="#">220071</a>	44,03 €	22	Elbow, hot water head to heater	<a href="#">220819</a>	115,05 €
23	A1272000456 Fitting, oil heat exchanger	<a href="#">201006</a>	42,84 €	24	T-connector, water to oil-cooler	<a href="#">220082</a>	62,67 €
27	see 207115 Copper shim	<a href="#">799309</a>	1,06 €	31	We would be happy to advice you	<a href="#">283818</a>	638,90 €
33	Cap, cooling liquid "ID 100",   W121&113	<a href="#">150017</a>	29,75 €	34	Heater radiator overh. used	<a href="#">299003</a>	3,55 €
35	Rubber grommet, return	<a href="#">299004</a>	0,50 €	36	Rubber grommet, inlet	<a href="#">299003</a>	3,55 €
37	We would be happy to advice you	<a href="#">250201</a>	950,80 €	37	Sealing ring, heater valve	<a href="#">283022</a>	2,31 €
37	Radiator,overhauled,automatic	<a href="#">250200</a>	654,50 €	39	Radiator, new 250 SL - LHD	<a href="#">250010</a>	869,00 €
37	We would be happy to advice you	<a href="#">250200</a>	654,50 €	39	Clamp e.g. Water reservoir late	<a href="#">999996</a>	4,64 €
41	Radiator,overhauled>manual	<a href="#">250200</a>	654,50 €	41	Thermostat cartridge/gkt. 79°	<a href="#">220008</a>	31,05 €
41	Thermostat cartridge/gkt. 83°	<a href="#">220009</a>	27,00 €	41	Thermostat cartridge/gkt. 79°	<a href="#">220008</a>	31,05 €
43	Seal ring	<a href="#">220016</a>	1,31 €	45	Seal ring 16x20, copper, e.g. hollow	<a href="#">220013</a>	0,67 €
46	Hex bolt w. slot M6, thermostate housin	<a href="#">220018</a>	0,71 €	46	bolts	<a href="#">220017</a>	0,29 €
46	Cap, thermostat housing, latest design (w.extra-hole)	<a href="#">220834</a>	46,99 €	47	Bolt M6, yellow zincd, thermo.housing	<a href="#">120011</a>	2,02 €
48	Drain plug screw M14 x 1,5 (rad. / eng,...)	<a href="#">250027</a>	2,70 €	49	Gasket, thermostate	<a href="#">120011</a>	2,02 €
50	Housing, water pump M108-M130	<a href="#">220804</a>	83,30 €	51	Seal ring 14mm Alu	<a href="#">207186</a>	1,08 €
51	Gasket, water pump	<a href="#">220006</a>	4,28 €	52	Screw M6 e.g. Bonnet hinges	<a href="#">299289</a>	0,38 €
53	Water pump 90mm, most 280 (113 108 107)	<a href="#">220025</a>	72,99 €	53	Gasket, housing to engine	<a href="#">220014</a>	1,25 €
53	Water pump M129 div., M130A/C, 127-Visco	<a href="#">220003</a>	109,00 €	53	Waterpump M129, M130 A/C, M129 Visco	<a href="#">220803</a>	109,24 €
55	Visco fan coupling, M129,130E,110, FEBI	<a href="#">220530</a>	149,55 €	55	Water pump M129 div., M130A/C, 127-Visco	<a href="#">220903</a>	125,58 €
55	Visco fan coupling, M129,130E,110, Meyle	<a href="#">220030</a>	151,00 €	55	Bolt M8 x 15 hex 10, fan pulley to water pump	<a href="#">220049</a>	5,97 €
55	bolt M8 / hex 10, pump->fan (veh w.distancer) L40	<a href="#">220046</a>	7,14 €	60	Visco fan coupling, M129,130E,110, DASIS	<a href="#">220630</a>	129,89 €
61	Hollow screw, air venting	<a href="#">220010</a>	2,48 €	62	Pipe,water air venting	<a href="#">220005</a>	27,39 €
71	V belt 10 x 925 eg. 250SL LHD series	<a href="#">299107</a>	10,59 €	71	Sealing ring ID8, eg. for hollow screw	<a href="#">220011</a>	0,65 €
83	Fitting, engine to water distributor M127, 129, 130E	<a href="#">220091</a>	31,19 €	90	V belt 10 X 913	<a href="#">799115</a>	17,99 €
91	Housing,Thermo,inj.,250-280SL	<a href="#">207122</a>	210,94 €	92	Thermostat,inj.,'67->, incl. steel seal	<a href="#">207121</a>	164,99 €
93	Bracket, pipe bundle and eng.hangup	<a href="#">220074</a>	26,60 €	93	Ring, seat, fits thermostate 207121	<a href="#">207151</a>	35,99 €
145	Hollow screw,early M16X1,5	<a href="#">220012</a>	5,89 €	120033	Water pipe, throttle housing to inj-thermostate	<a href="#">220051</a>	119,61 €
220098	Hex.head screw 8.8 M8 X 80 zinc plated	<a href="#">220098</a>	0,57 €	220118	sealing ring copper 32	<a href="#">120033</a>	1,31 €
					Seal ring, copper , id 30	<a href="#">220118</a>	1,05 €

## 50.c Cooling System 280SL

50.c Cooling System 280SL



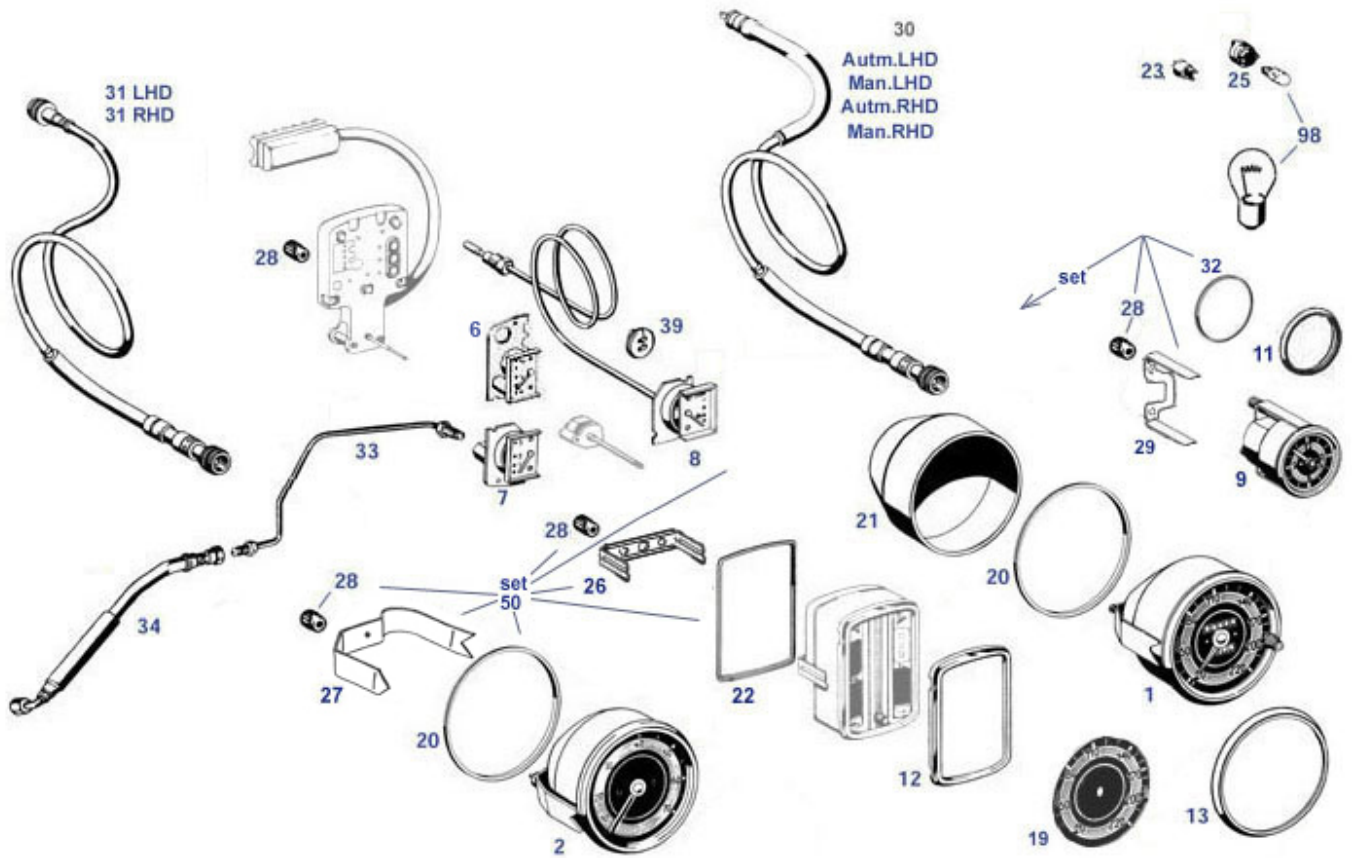
	Temperature switch 100° e.g. A/C fan, FEBI	<a href="#">207963</a>	19,75 €	clamp	Mounting clamp, fan shroud if used	<a href="#">250219</a>	58,88 €
1	Hose clamp 46-54mm	<a href="#">750346</a>	1,94 €	1	Hose,radiator,top	<a href="#">250012</a>	27,05 €
2	Hose, radiator, lower, 250/280SL	<a href="#">250015</a>	36,79 €	3	Hoseclamp 31 to 44mm	<a href="#">250046</a>	2,00 €
3	Hose,waterpump/thermostat	<a href="#">250004</a>	10,00 €	4	Elbow, comp. tank to radiator	<a href="#">250018</a>	22,00 €
5	CL hose, heater, 1x / 2x	<a href="#">250825</a>	20,23 €	6	CL hose, heater (feed), from 3/70	<a href="#">250822</a>	20,23 €
7	Water hose .044 htr ret-pipe to pump FN	<a href="#">250809</a>	6,57 €	7	Heater return hose, S-shape w.reducer	<a href="#">250806</a>	13,01 €
7	Water hose heater return, diam. reduce	<a href="#">250028</a>	20,94 €	7	Hose clamp 23-31mm, worm thread style	<a href="#">750042</a>	1,65 €
8	Hose,dist./cold start sys./Fluid reserv	<a href="#">250021</a>	5,95 €	9	1m cooling water hose 12/19mm	<a href="#">250823</a>	7,14 €
10	CL hose, bent, no reducer, heater retur	<a href="#">250829</a>	26,03 €	10	Water hose, i/D 18mm per metre	<a href="#">250019</a>	19,10 €
11	Water hose, 8/15mm per metre	<a href="#">250016</a>	24,50 €	12	Hose strap, replaces hose clamp	<a href="#">250099</a>	0,55 €
15	Junction pipe "Y-shape", water, e.g.130.983 from M...	<a href="#">250830</a>	95,20 €	16	Pipe, return, heater, see picture	<a href="#">283086</a>	71,82 €
16	Return pipe, version see photo	<a href="#">283085</a>	84,35 €	17	Pipe, comp. tank to radiator	<a href="#">250003</a>	176,19 €
18	Elbow, hot water head to heater	<a href="#">220819</a>	115,05 €	19	water fitting M32 fitting hose 250822	<a href="#">220122</a>	45,08 €
19	water fitting M30 fitting 12mm hose	<a href="#">220120</a>	45,08 €	20	Clamp, rad.water return pipe	<a href="#">250098</a>	2,78 €
20	Clamp, rad.water return pipe	<a href="#">250898</a>	1,19 €	21	Bracket, pipe bundle and eng.hangup	<a href="#">220074</a>	26,60 €
22	Pipe,coldstart/inj.pump early M130	<a href="#">220830</a>	31,54 €	22	Pipe,coldstart/inj.pump late M130	<a href="#">220832</a>	32,13 €
27	Copper seal ring	<a href="#">207115</a>	0,62 €	27	Drain plug screw M14 x 1,5 (rad. / eng...)	<a href="#">250027</a>	2,70 €
31	We would be happy to advice you Heater radiator overh. used	<a href="#">283818</a>	638,90 €	33	Cap, cooling liquid "ID 100",   W121&113	<a href="#">150017</a>	29,75 €
34	Rubber grommet, inlet	<a href="#">299003</a>	3,55 €	35	Rubber grommet, return	<a href="#">299004</a>	0,50 €
36	Sealing ring, heater valve	<a href="#">283022</a>	2,31 €	37	Radiator, automatic,new 280 Sl.	<a href="#">250005</a>	1.050,00 €
37	Oil cooler, 280SL FN, Alu Repro	<a href="#">250011</a>	214,80 €	37	Oil cooler, 280SL FN, Alu Repro	<a href="#">250811</a>	303,45 €
37	We would be happy to advice you Radiator,overhauled,automatic	<a href="#">250201</a>	950,80 €	39	Clamp e.g. Water reservoir late	<a href="#">999996</a>	4,64 €
41	Thermostat cartridge/gkt. 83°	<a href="#">220009</a>	27,00 €	41	Thermostat cartridge/gkt. 79°	<a href="#">220008</a>	31,05 €
43	Seal ring	<a href="#">220016</a>	1,31 €	45	Seal ring 16x20, copper, e.g. hollow	<a href="#">220013</a>	0,67 €

46	Cap, thermostat housing, latest design (w.extra-hole)	<a href="#">220834</a>	46,99 €	46	bolts		
					Bolt M6, yellow zincd, thermo.housing	<a href="#">220017</a>	0,29 €
46	Hex bolt w. slot M6, thermostate housin	<a href="#">220018</a>	0,71 €	47	Gasket, thermostate	<a href="#">120011</a>	2,02 €
49	Seal ring 14mm Alu	<a href="#">207186</a>	1,08 €	50	Housing, water pump M108-M130	<a href="#">220804</a>	83,30 €
51	Screw M6 e.g. Bonnet hinges	<a href="#">299289</a>	0,38 €	51	Gasket, water pump	<a href="#">220006</a>	4,28 €
52	Gasket, housing /engine M130	<a href="#">220007</a>	1,01 €	53	Water pump 280SL/SE, 107: M110, 90mm	<a href="#">220825</a>	83,60 €
53	Water pump 90mm, most 280 (113 108 107)	<a href="#">220025</a>	72,99 €	55	Visco fan coupling, M129,130E,110, FEBI	<a href="#">220530</a>	149,55 €
55	Visco fan coupling, M129,130E,110, DASIS	<a href="#">220630</a>	129,89 €	55	Visco fan coupling, M129,130E,110, Meyle	<a href="#">220030</a>	151,00 €
55	bolt M8 / hex 10, pump->fan (veh w.distancer) L40	<a href="#">220046</a>	7,14 €	58	Water pump M129 div., M130A/C, 127-Visco	<a href="#">220903</a>	125,58 €
58	Waterpump M129, M130 A/C, M129 Visco	<a href="#">220803</a>	109,24 €	58	Water pump M129 div., M130A/C, 127-Visco	<a href="#">220003</a>	109,00 €
60	Pipe,water air venting	<a href="#">220005</a>	27,39 €	61	Hollow screw, air venting	<a href="#">220010</a>	2,48 €
62	Sealing ring ID8, eg. for hollow screw	<a href="#">220011</a>	0,65 €	75	V' belt, 10 x 800	<a href="#">299110</a>	16,66 €
75	V' belt, 10 x 935	<a href="#">299109</a>	14,90 €	75	V belt 10 X 900	<a href="#">299105</a>	15,90 €
75	V belt 13 X 1060	<a href="#">299101</a>	19,99 €	83	Fitting, engine to water distributor M127, 129, 130E	<a href="#">220091</a>	31,19 €
90	Thermostat,inj.,'67->, incl. steel seal	<a href="#">207121</a>	164,99 €	91	Housing,Thermo,inj.,250-280SL	<a href="#">207122</a>	210,94 €
92	Ring, seat, fits thermostate 207121	<a href="#">207151</a>	35,99 €	145	Hollow screw,early M16X1,5	<a href="#">220012</a>	5,89 €
120033	sealing ring copper 32	<a href="#">120033</a>	1,31 €	120033	Seal ring, copper , id 30	<a href="#">220118</a>	1,05 €
220098	Hex.head screw 8.8 M8 X 80 zinc plated	<a href="#">220098</a>	0,57 €	220118	sealing ring, aluminium 30mm	<a href="#">215032</a>	0,81 €

## 54 Electrical Equipment at Body

### 54.a Instruments

#### 54.a Instruments

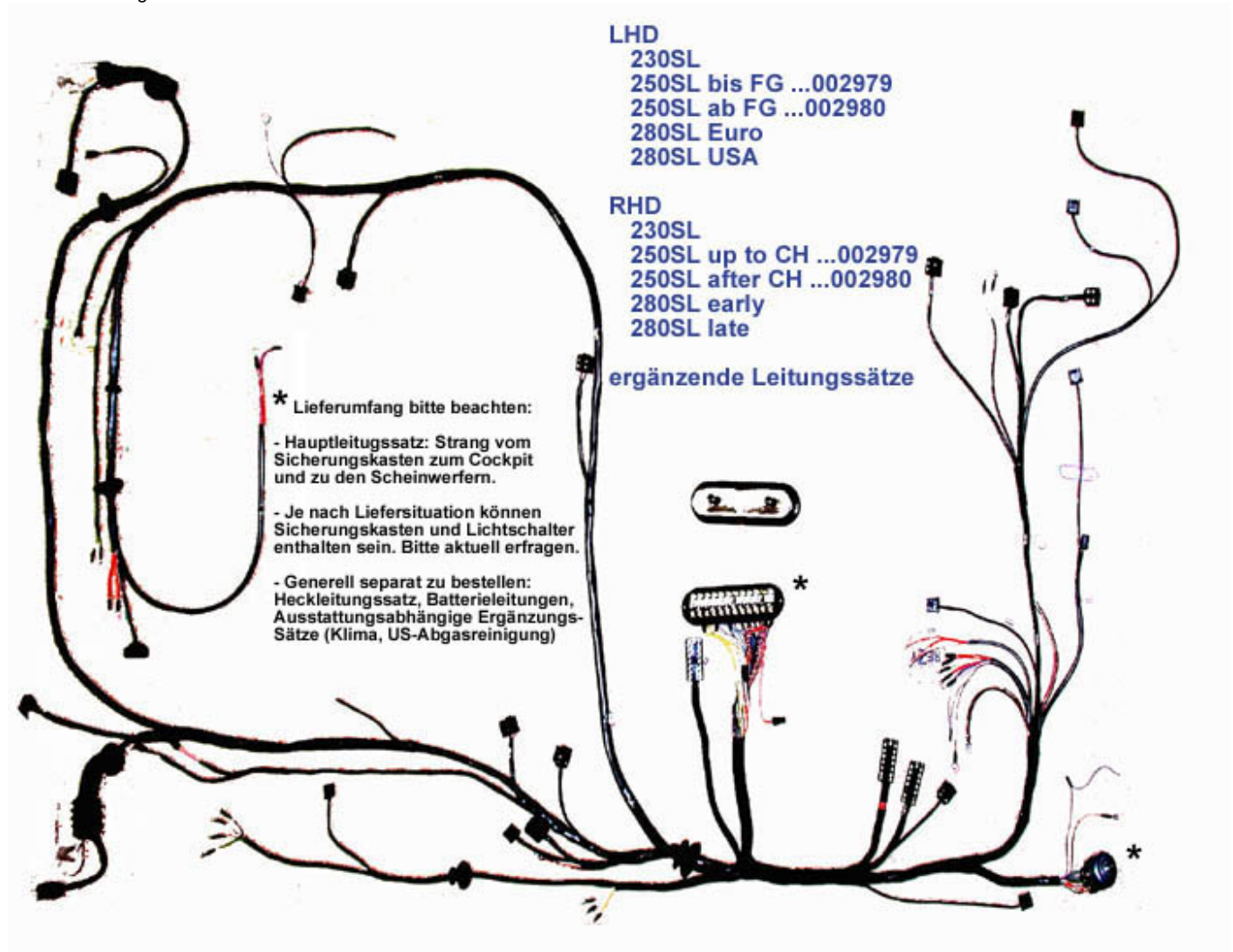


Autm.RH rubber seal, speedo cable, if flange D with furrow, small	<a href="#">254118</a>	10,89 €	Man.LHD Speedo flex shaft,manual	<a href="#">254100</a>	38,35 €
Man.LHD rubber seal, speedo cable, if flange with furrow, large	<a href="#">254119</a>	10,71 €	Autm.LH Speedo cable LHD Autm.,Repro, like original with seal.	<a href="#">254690</a>	85,00 €
Knurled chrome nut, glove box switch	<a href="#">254109</a>	14,55 €	Autm.LH Speedo flex shaft,auto D	<a href="#">254090</a>	42,26 €
Autm.LH Speedo cable LHD	<a href="#">254790</a>	63,13 €	6 Fuel gauge late, fits tube style sender, repro	<a href="#">254819</a>	298,98 €
D Autm.,Repro,simplified			7 Fuel gauge early, fits float-link sender	<a href="#">254818</a>	273,69 €
7 Label: dial faces oil pressure and temperature	<a href="#">254897</a>	15,99 €	8 °Celsius gauge w.capillar, Repro, sensor too big	<a href="#">254016</a>	264,38 €
7 Oil pressure gauge, Repro	<a href="#">254817</a>	246,98 €	11 O-ring e.g. clock underlay	<a href="#">298754</a>	1,25 €
9 Clock Pagoda, Repro	<a href="#">254800</a>	298,98 €	11 Chrome bezel, late clock (round profile)	<a href="#">254294</a>	114,00 €
11 Chrome bezel, clock early (edge profile)	<a href="#">254094</a>	72,99 €	13 Glass, rev counter	<a href="#">154081</a>	29,00 €
12 Chrome frame, square bezel	<a href="#">254093</a>	219,90 €	13 Chrome ring, speedo/rev.counter	<a href="#">154091</a>	65,45 €
13 Chrome knob, trip-ctr-reset	<a href="#">154083</a>	57,89 €	19 Speedo dial face KM/h as illustrated	<a href="#">254194</a>	221,99 €
13 Glass, speedometer 230-280SL	<a href="#">254282</a>	29,75 €	21 Rubber housing, rev.-counter	<a href="#">254130</a>	92,23 €
20 Rubberseal, speedo/tacho.	<a href="#">254030</a>	9,22 €	22 Rubberseal, central instruments frame	<a href="#">254027</a>	10,54 €
21 Rubber housing, speedometer	<a href="#">254129</a>	91,99 €	23 bulb holder BA9s fits lamp 2W	<a href="#">154048</a>	6,43 €
22 Glass, square instrument	<a href="#">254283</a>	44,95 €	26 Bracket / Clamp f.square instr.housing	<a href="#">254215</a>	19,25 €
25 Lamp socket 107, 108, ..	<a href="#">854048</a>	18,91 €	27 Bracket / Clamp Speedometer	<a href="#">254210</a>	17,41 €
27 Bracket / Clamp Rev.-counter LHD	<a href="#">254212</a>	21,00 €	28 Milled nut M4 Instruments	<a href="#">254197</a>	4,89 €
28 Hex Nut, M4	<a href="#">799919</a>	0,20 €	29 Clamp, clock	<a href="#">254216</a>	15,86 €
28 milled nut M4, as illustrated	<a href="#">954197</a>	1,02 €	33 Oil line LHD,press.gauge->'67	<a href="#">254015</a>	65,40 €
31 LHD Tachometer Cable - 1300mm	<a href="#">254200</a>	46,30 €			

34	Hose, Oil pressure gauge line	<a href="#">254923</a>	64,44 €	39	Rbr grommet ../24,2 hole, revcables, oil/temp-pipe	<a href="#">299009</a>	3,61 €
98	light bulb 12V/2W, BA9s, eg. Instruments	<a href="#">254033</a>	2,20 €	98	bulb 3W Philips	<a href="#">299696</a>	1,00 €
98	Bulb 12V / 3W, torpedo, total length 30	<a href="#">226102</a>	2,53 €	98	Bulb, passenger compt. 3W, NoName	<a href="#">299096</a>	1,79 €
98	Bulb, parking light, 12V/4W, BA9S	<a href="#">299099</a>	1,39 €	98	Bulb 12V / 5W, torpedo, total length 38	<a href="#">299098</a>	1,54 €
98	Bulb 1.2W, glass socket, switch-knob, cockpit	<a href="#">299097</a>	1,79 €	98	Bulb 12V / 10W, torpedo, total length 44	<a href="#">299094</a>	1,44 €
98	Bulb, 35W, Fog light	<a href="#">299093</a>	8,32 €	98	Bulb, 40/45W, Bilux	<a href="#">299092</a>	3,99 €
98	Bulb, 55W Halogen H3,fog light	<a href="#">299091</a>	4,52 €	98	Bulb, 55W H1, e.g. 113 if Halogen equipped	<a href="#">299090</a>	5,95 €
98	Bulb 12V/18W direction indicator	<a href="#">299087</a>	3,33 €	98	Bulb, e.g. trunk light	<a href="#">282033</a>	2,50 €

## 54.b Main wiring harness

### 54.b Main wiring harness



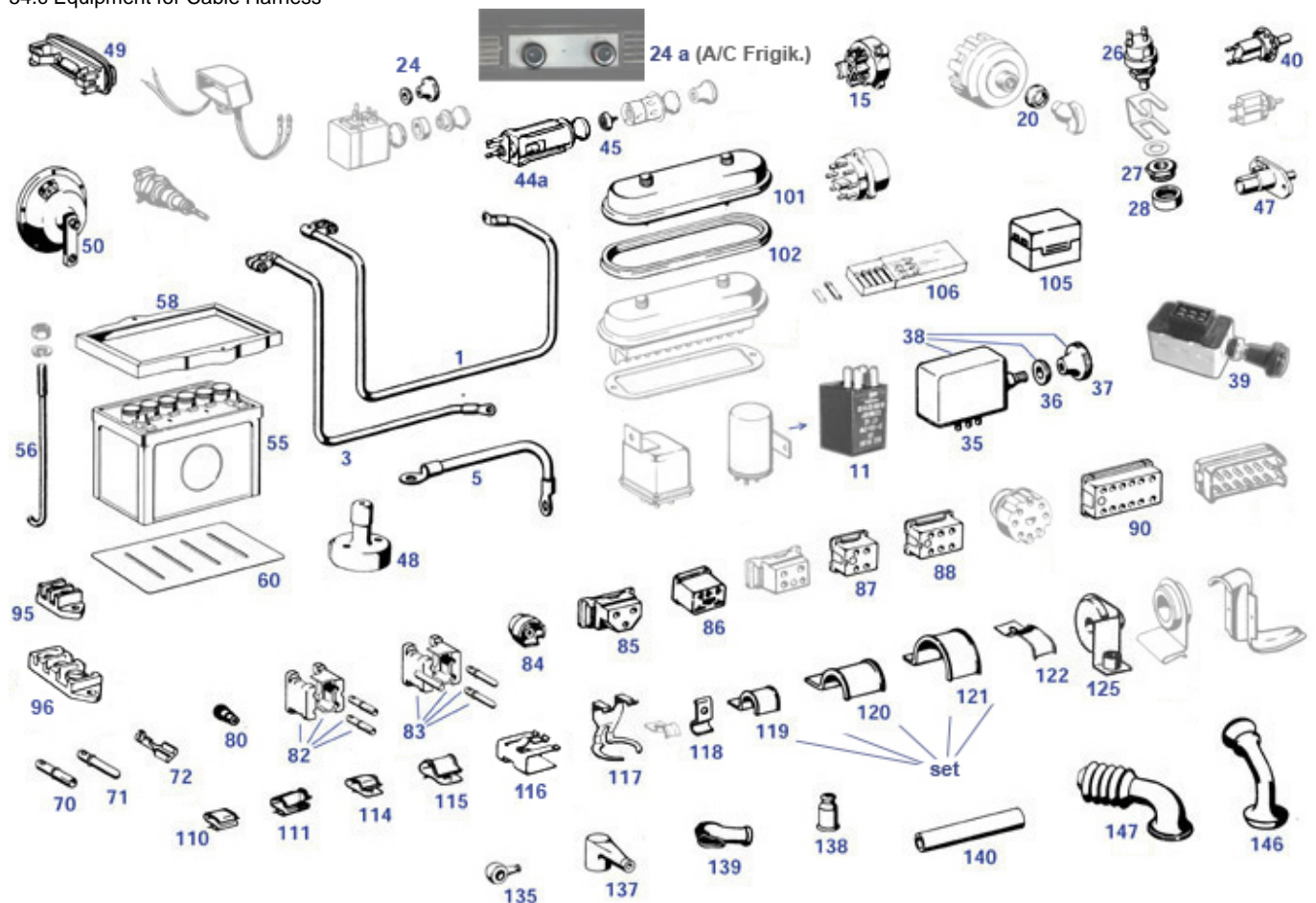
	Wiring, starter to terminal at oil pan ground strapß 400mm	<a href="#">254167</a>	116,85 €	weitere	Rear wire harness 280SL USA	<a href="#">254145</a>	484,98 €
		<a href="#">354245</a>	60,99 €	weitere	Wire,"Hirschmann"antennaa,1xnut-end,500	<a href="#">999975</a>	40,66 €
weitere	Wire,"Hirschmann"antenna,1xnut-end,150c	<a href="#">999974</a>	22,96 €		Adater wire fits new pump to old loom	<a href="#">286540</a>	32,00 €
weitere	Wiring, rr fog light	<a href="#">254292</a>	151,73 €	weitere	A1135401209 Wire set transistor ignitio	<a href="#">254291</a>	160,00 €
weitere	Wireset US-spec to gearlinkage, late	<a href="#">254161</a>	458,99 €	weitere	Wireset US-spec to autom.box	<a href="#">254160</a>	429,00 €
weitere	Rear wire harness 230SL late, (	<a href="#">254142</a>	425,00 €	weitere	Rear wire harness 230SL early	<a href="#">254041</a>	419,00 €



	.042 from 012467)						
weitere	Rear wire harness 250-280SL	<a href="#">254042</a>	429,99 €	230SL LHD	Harness,LHD 230SL, auto FN	<a href="#">254037</a>	2.199,00 €
230SL LHD	Harness, LHD, 230SL, manual FN	<a href="#">254136</a>	2.199,00 €	230SL RHD	Harness,RHD,230SL, manualFN	<a href="#">254134</a>	2.299,50 €
230SL RHD	Harness,RHD 230SL, autoFN	<a href="#">254135</a>	2.299,50 €	250SL LHD spät	Harness,LHD,euro, man. FN	<a href="#">254039</a>	2.199,00 €
250SL LHD spät	Harness,LHD, auto. FN	<a href="#">254040</a>	2.199,00 €	250SL RHD	Harness,RHD,250SL, autoFNer.	<a href="#">254139</a>	2.299,50 €
250SL RHD	Harness,RHD,250SL, man.FNer.	<a href="#">254138</a>	2.299,50 €	250SL RHD late	Harness,RHD, auto.FN	<a href="#">254143</a>	2.299,50 €
250SL LHD	Harness,LHD,250SL, auto FN	<a href="#">254038</a>	2.199,00 €	250SL RHD late	Harness,RHD, manualFN	<a href="#">254141</a>	2.299,50 €
250SL LHD	Harness,LHD,250SL, man.FNer.	<a href="#">254137</a>	2.199,00 €	280SL USA	Harness,LHD,280SL,USA,auto,FN	<a href="#">254140</a>	2.199,00 €
280SL RHD late	Harness,RHD,280SL,man,FNlt	<a href="#">254152</a>	2.299,50 €	280SL USA	Harness,LHD,280SL,USA,man.,FN	<a href="#">254151</a>	2.199,00 €

## 54.c Equipment for Cable Harness

### 54.c Equipment for Cable Harness



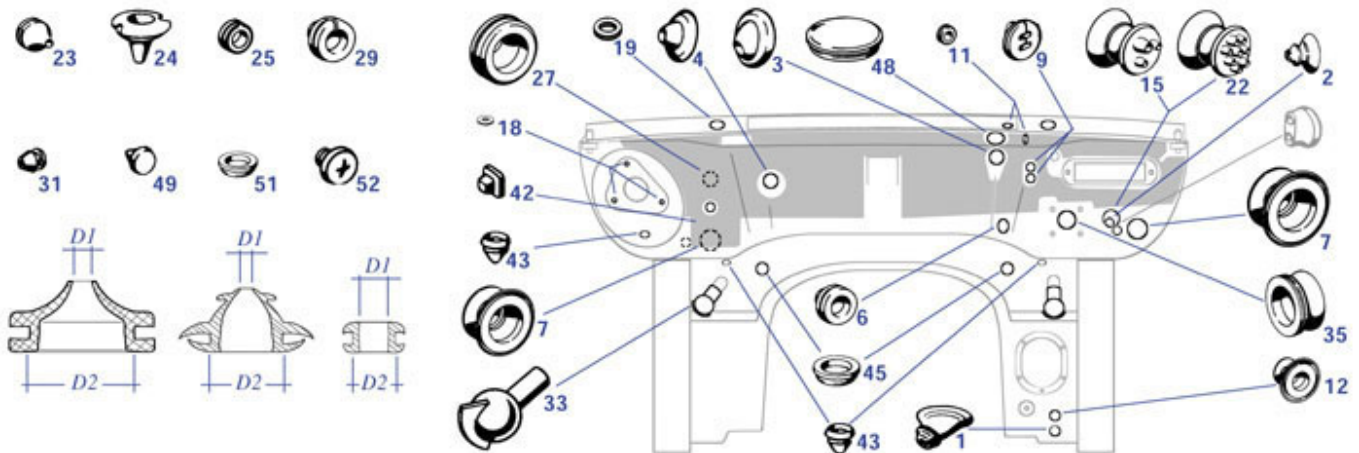
regulator, copy of old design	<a href="#">254521</a>	41,92 €	Cover, for wire terminal @ autom-housing	<a href="#">254009</a>	33,24 €
Ign coil Bosch 6-Cyl 108-113.. late	<a href="#">254611</a>	110,19 €	A0035452626 Solder bushing 4mm, connect	<a href="#">854055</a>	0,80 €
2-pole housing (plastic base & cap), no metal bushings	<a href="#">254182</a>	7,97 €	ground strapß 400mm	<a href="#">354245</a>	60,99 €
ground strap 40cm, eyes 8 + 6mm, w.prot hose	<a href="#">354246</a>	39,50 €	Extr. reg.,alternators '65->'74	<a href="#">254721</a>	58,31 €
Knurled chrome nut, glove box switch	<a href="#">254109</a>	14,55 €	4-pole housing (plastic base & cap), no metal bushings	<a href="#">254883</a>	8,09 €
Marelli ignition coil MB 6-Cylinder	<a href="#">254411</a>	41,00 €	8-pole housing (plastic base & cap), no metal bushings	<a href="#">254181</a>	8,69 €

	6-pole housing (plastic base & cap), no metal bushings	<a href="#">254180</a>	8,45 €		Turn signal transmitter (metal), Bosch	<a href="#">182001</a>	98,18 €
1	Starter wire, long (157cm)	<a href="#">254044</a>	104,90 €	1	Starter wire 230SL, short (148cm)	<a href="#">254244</a>	97,50 €
1	battery terminal screw M8 X28	<a href="#">554010</a>	0,89 €	3	Battery earth strap (-)	<a href="#">254245</a>	86,45 €
5	Ground wire,	<a href="#">254249</a>	59,99 €	5	Ground strap, engine to body, M12 banjo	<a href="#">254049</a>	85,68 €
10	crossmember->engine bolts M10 Universal-Relay "flip-flop", not A0005426819	<a href="#">982345</a>	62,00 €	11	Turn signal transmitter	<a href="#">254760</a>	95,00 €
11	crimp connector	<a href="#">997992</a>	0,43 €	11	Housing, fits up to 5 crimp-shoes	<a href="#">554070</a>	2,99 €
11	universal flasher relay 12V 4x21W Bosch, flat pole	<a href="#">582070</a>	52,40 €	11	Flasher relay, see pict, pin position changed	<a href="#">254060</a>	85,66 €
15	switch, ign-lock '62-'67 113...	<a href="#">246090</a>	98,92 €	16	A1164620093 Switch.ignition ca 67-80	<a href="#">246091</a>	79,99 €
18	teethed washer 4,3mm	<a href="#">999037</a>	0,13 €	18	Shim 4,3x8	<a href="#">799939</a>	0,19 €
20	Nut, chrome, light switch	<a href="#">254043</a>	11,63 €	23	Switch, heater blower 4-Pin=3-Pole, reproduction	<a href="#">282024</a>	334,99 €
24a	Knob A/C Temp, blue dot	<a href="#">382028</a>	41,80 €	24	Knob,small,heater blower switch, see picture	<a href="#">382825</a>	61,90 €
24	Knob, heater blower switch, Repro, optical shortcomings	<a href="#">282826</a>	68,29 €	24a	Knob, A/C-vent, green dot	<a href="#">382027</a>	52,30 €
24	A1108201592 Knob, heater blower switch	<a href="#">282026</a>	59,99 €	24	Knob small, heater blower switch, see picture	<a href="#">382826</a>	61,90 €
24	Knob large, heater blower switch, Repro w.chrome nut	<a href="#">282726</a>	61,90 €	26	brake light swich, 4-pole, see illustration	<a href="#">954019</a>	75,51 €
28	plastic ring, pedal stop @ brake switch	<a href="#">254107</a>	26,18 €	30	A0015450211 Contact switch, glovebox	<a href="#">254101</a>	402,03 €
36	Escutcheon, emerg. flasher switch	<a href="#">282035</a>	10,28 €	39	Relay, flasher, retrofit., plastic knob, Bosch	<a href="#">982034</a>	155,00 €
39	pigtail harness fits emergency switch 982034	<a href="#">982035</a>	52,00 €	39	Upgr. hazzard flasher Hella with wiring	<a href="#">982834</a>	184,45 €
40	Adater wire fits new pump to old loom	<a href="#">286540</a>	32,00 €	40	Con.housing, 2 pole flat	<a href="#">254103</a>	0,54 €
40	Door switch round pin connectors	<a href="#">282721</a>	82,26 €	40	Switch, flat connectors	<a href="#">282031</a>	10,21 €
44a	Cigar lighter complete '67->	<a href="#">282048</a>	265,00 €	44a	complete Cigar lighter (up to 1967)	<a href="#">282047</a>	205,99 €
45	Spiral element, fits genuine cigar lighter	<a href="#">154049</a>	18,49 €	46	Knob, Design 1968, M5, fits Cigar lighters M5	<a href="#">254843</a>	45,28 €
47	Trunk(boot) light and switch '59-'85	<a href="#">282022</a>	40,58 €	47	pan head tapping screw zinc plated 3,9 X 13	<a href="#">188889</a>	0,25 €
48	foot operted switch	<a href="#">454012</a>	36,43 €	49	Interior light, simplified	<a href="#">282020</a>	11,90 €
50	Screw, M4X6 Phillips, e.g switch	<a href="#">799546</a>	0,24 €	50	Rest ! 1 pair retro horns, chrome, imported	<a href="#">454013</a>	75,90 €
56	Hex nut M6, yellow zinc.	<a href="#">181023</a>	0,18 €	56	Spring washer, fits M6	<a href="#">181028</a>	0,18 €
56	Clamp bolt, battery	<a href="#">254025</a>	7,97 €	58	battery hold down, R113, Repro	<a href="#">254826</a>	65,45 €
58	Batteryframe, upper, repro, paint unfinished	<a href="#">254026</a>	64,31 €	60	battery tray floor	<a href="#">254010</a>	14,07 €
70	contact bushing 4mm brass, silver plated	<a href="#">254855</a>	1,40 €	70	Sold on sleeve 4mm	<a href="#">254055</a>	2,69 €
71	metal pin f. el. connectors	<a href="#">754054</a>	0,77 €	72	Wire Connector, 90°, 9,5mm wide, e.g. generators	<a href="#">754187</a>	2,38 €
83	part of housg, el. conn.	<a href="#">954945</a>	2,20 €	83	Set 2-pole-connector (m), narrow style	<a href="#">754158</a>	10,92 €
83	part of housg. 2-pole male connector	<a href="#">254087</a>	5,12 €	84	Housing for Bilux/H4 connector	<a href="#">182042</a>	4,74 €
84	H4 Connector housg w.3x flag crimps	<a href="#">282041</a>	5,83 €	85	Plug hsnng,Regulator, 3xflat	<a href="#">254080</a>	7,28 €
85	flat crimp shoe, with nose, female, ... 2,5mm²	<a href="#">754055</a>	0,65 €	88	Rest: el. connector (fem) 6-pole, kit, OE-qual	<a href="#">254984</a>	27,67 €
90	Terminal, 12 bushings, hole distance 8mm	<a href="#">254262</a>	41,00 €	90	Terminal, 12 bushings, hole distance 9mm	<a href="#">254862</a>	41,00 €
91	contact pin 4mm brass silver plated	<a href="#">754956</a>	0,60 €	95	2 pole terminal	<a href="#">154052</a>	44,85 €
96	A0005466541 Terminal block, 3 pole	<a href="#">254064</a>	29,99 €	97	Plug socket 12V/16A, universal, non-MB, non-Boschl	<a href="#">554867</a>	8,83 €
97	A0005451525 Socket, engine compartment	<a href="#">254070</a>	42,84 €	100	Fuse box without cap, 108 (for 2 short fuses)	<a href="#">854024</a>	577,21 €
100	Fuse box without cap, 110,...	<a href="#">354024</a>	539,93 €	100	Fuse box without cap, 113 (for 2 short fuses)	<a href="#">254024</a>	539,93 €
101	Cover, fuse box 108-113 div., Repro	<a href="#">254065</a>	73,73 €	101	Cover, fuse box 108-113 div., as genuine	<a href="#">254965</a>	87,96 €
102	Seal, fuse box cover	<a href="#">254854</a>	11,71 €	104	Underlay, fuse box @ firewall	<a href="#">254853</a>	10,20 €
104	Phillips screw, semicircular head, M4 x 10	<a href="#">990107</a>	0,18 €	104	spring washer mech. zinc plated B4	<a href="#">799926</a>	0,12 €

105	Fuse box, additional,2 fuses, cap with screw	<a href="#">254099</a>	9,71 €	106	25Amp fuse, short version, NOS	<a href="#">258991</a>	5,69 €
110	Clip, see picture, Pls follow recommendation 254874	<a href="#">254774</a>	0,60 €	110	Spring clip for Rt.+Lt. cable	<a href="#">254071</a>	0,83 €
111	Clip, cable	<a href="#">254073</a>	1,09 €	114	See new article number 254874   A0009883378, Clip	<a href="#">254074</a>	1,49 €
114	clip, e.g. wire fixture 190SL, R113, R/C107	<a href="#">254874</a>	1,50 €	115	Clip, similar 0009883478, hoses, wires	<a href="#">254075</a>	1,00 €
116	Clip for wire harness	<a href="#">254072</a>	7,97 €	117	Clamp at connector "kickdown-switch"	<a href="#">254172</a>	63,19 €
118	Clamp, e.g. oil-pipe, wires	<a href="#">199025</a>	4,22 €	119	Clamp, e.g. wiring, inner width 15mm	<a href="#">254069</a>	5,65 €
120	clamp, ca. 25mm, wires	<a href="#">199023</a>	7,32 €	120	Clamp,pipe,under body,rear	<a href="#">247053</a>	7,69 €
121	Clamp, wiring near A-pillar (inn-wdth 3	<a href="#">254168</a>	7,54 €	122	Clamp, bulkhead	<a href="#">242058</a>	2,44 €
126	Rubber grommet 11/30, blue silicon rubber	<a href="#">299517</a>	1,59 €	135	Rubber dust boot (at Gen. .)	<a href="#">254051</a>	3,25 €
135	Grommet for Fuel Pump Wiring	<a href="#">299018</a>	2,53 €	137	Rubber Boot on to Thermoswitch	<a href="#">254125</a>	9,39 €
138	Prot.sleeve ign.leads -> distributor	<a href="#">215815</a>	2,73 €	139	Rubber Boot on Starter Motor and Alternator	<a href="#">254126</a>	7,16 €
139	Rubber cap, starter wire, small	<a href="#">754026</a>	6,14 €	139	Cap, starter terminal	<a href="#">154056</a>	5,71 €
141	wire strap with rivet plug, 160mm	<a href="#">854087</a>	1,29 €	141	wire strap with rivet plug, short (120mm)	<a href="#">554087</a>	1,26 €
146	Tube,prt.,head lamp cable,r.h.	<a href="#">254046</a>	24,29 €	147	Tube,prt.,head lamp cable,l.h.	<a href="#">254047</a>	24,29 €

## 54.d Rubber Grommets

### 54.d Rubber Grommets



Needed grommet not found ?  
Pls. send sample / picture / measures of D1/D2  
Die gesuchte Gummitülle ist nicht dabei ?  
Schicken Sie uns Muster / Bild / Abmessungen D1/D2

Set Firewall Plugs  
Satz Stirnwandtüllen

This table contains normal equipped LHD-firewall. Perhaps you may find a required item more easily here:

[Other MB categories](#)

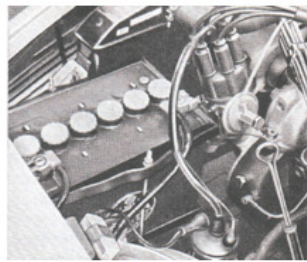
In that catalogue you may find other helpful groups, such as car body screws and rubber hoses, assorted by dimension.

	Rubber grommet 11/30, blue silicon rubber	<a href="#">299517</a>	1,59 €		Rubbergrommet, defrost tube	<a href="#">183109</a>	16,30 €
1	Grommet 6/26, 45°, e.g. hydr-line clutc	<a href="#">299001</a>	2,68 €	1	Grommet, 6/27mm,45° hydr.line clutc	<a href="#">298787</a>	2,82 €
2	Rubber plug instead clutchline	<a href="#">298786</a>	0,73 €	2	Rubbergrommet at firewall	<a href="#">299002</a>	3,05 €
3	Rubber grommet, inlet	<a href="#">299003</a>	3,55 €	4	Rubber grommet, return	<a href="#">299004</a>	0,50 €

6	Grommet, acc. Pedal, bulkhead	<a href="#">299006</a>	4,19 €	7	Grommet, cable, bulkhead 17/40	<a href="#">299007</a>	3,05 €
9	Rbr grommet ../24,2 hole, revcables, oil/temp-pipe	<a href="#">299009</a>	3,61 €	11	Rbr grommet, 7/10, 113 washpipe, 121 boot	<a href="#">299011</a>	1,08 €
12	Grommet, 5/25, bulkhead	<a href="#">299012</a>	2,09 €	15	Rubber grommet 3 way, bonnet cable	<a href="#">298778</a>	3,55 €
15	Grommet, rubber, 2 piece ../25mm	<a href="#">399011</a>	3,61 €	18	Rubber ring, wiper motor	<a href="#">282407</a>	0,77 €
19	Rubber ring, repl., w/s wiper shaft	<a href="#">282247</a>	1,59 €	22	Grommet, mutiple holes, /35	<a href="#">298789</a>	3,05 €
23	Rubber grommet 5/10 heating	<a href="#">298875</a>	0,40 €	23	Rubber grommet 3/18, 121, 113, 107 and other	<a href="#">199010</a>	1,67 €
24	Grommet 4/20mm, 1 hole, drain	<a href="#">399009</a>	1,71 €	25	Rubbergrommet 7/15mm, air duct, hornwir	<a href="#">199009</a>	2,31 €
25	Rubber grommet 10/15, taillight bucket 190SL, 107	<a href="#">199020</a>	1,08 €	25	Grommet, 14/18, bulkhead, generator wire	<a href="#">298784</a>	2,59 €
27	Rubber grommet	<a href="#">299005</a>	2,59 €	27	Rubber grommet 11/30, bulkh(190), 107,...	<a href="#">299017</a>	1,59 €
29	Grommet 6/26	<a href="#">299819</a>	3,15 €	33	Ball Grommet for Bulkhead Drainage Pipes	<a href="#">283032</a>	25,75 €
35	Boot, bulkhead, brake push rod	<a href="#">229018</a>	13,01 €	42	Rubbergrommet, firewall, square	<a href="#">299026</a>	3,32 €
43	Rubber plug 10mm, see pict	<a href="#">298781</a>	1,12 €	43	Rbr plug 10mm	<a href="#">798781</a>	1,17 €
45	Rubber plug, 20mm	<a href="#">298780</a>	0,94 €	48	Closing disc	<a href="#">298045</a>	6,68 €
49	see 298688	<a href="#">298788</a>	1,19 €	49	Rubber buffer 5mm, 121, 113, 10	<a href="#">298066</a>	0,89 €
51	Plug, 32mm, e.g. boot, ..Repro	<a href="#">268309</a>	1,81 €	51	Rbr plug 17,5mm	<a href="#">398995</a>	1,17 €
51	Floor/Body Panel Plug - 26mm	<a href="#">298782</a>	1,30 €	51	plug, plastic, closes 9.5mm holes	<a href="#">298688</a>	0,42 €

## 54.i Info Battery Dimensions

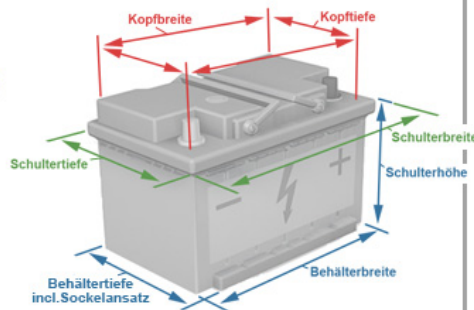
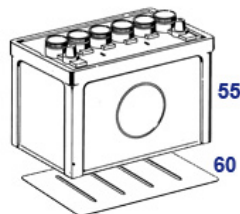
### 54.i Info Battery Dimensions



aktuelle Bauformen, Klemmsockel nur unten



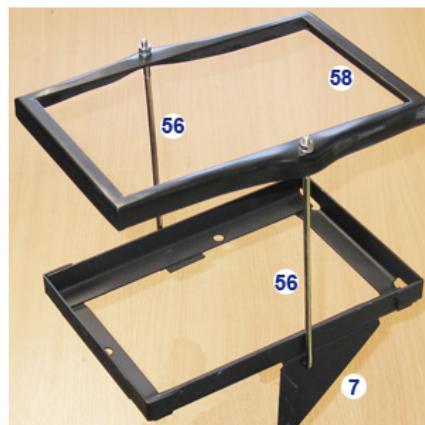
Oldtimerbatterie mit freiliegenden Plattenverbindern, ohne Schulterrand



populäre Bauform der 1990er / 2000er Jahre, Oberrahmen montierbar



Einbaubeispiel „Pagode“



Abweichende Bauarten = mögl. Montageprobleme: kein Halterand, Polklemmen berühren Rahmen (58)

Bei R113 sind die Maße wichtiger, als die Kapazität, da der Einbauraum äußerst begrenzt ist. Liefersituation bitte stets erfragen !

gemessen an lieferbaren Rahmenteilen:  
**Kopfbreite max. 248mm**  
**Kopftiefe max. 152mm**  
**Schulterbreite max. 270mm**  
**Schultertiefe max. 170mm**  
**Schulterhöhe max. 205mm**  
**Behälterbreite max. 264mm**  
**Behältertiefe max. 174mm**

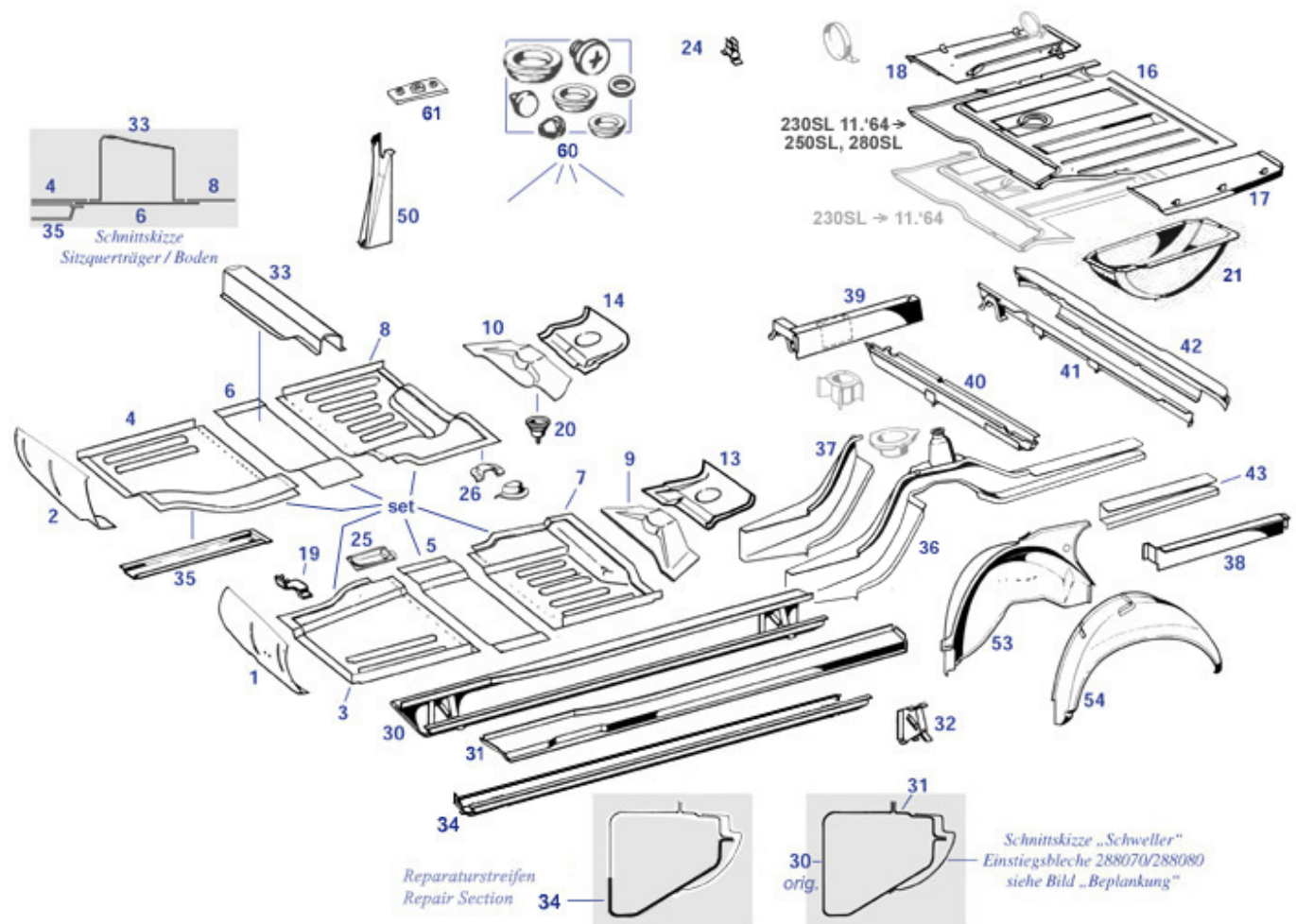
battery terminal screw M8 X28	<a href="#">554010</a>	0,89 €	7	Battery frame, R113 lower	<a href="#">262050</a>	68,76 €
-------------------------------	------------------------	--------	---	---------------------------	------------------------	---------

56	Hex nut M6, yellow zinc.	<a href="#">181023</a>	0,18 €	56	Spring washer, fits M6	<a href="#">181028</a>	0,18 €
56	Clamp bolt, battery	<a href="#">254025</a>	7,97 €	56	nut M6 w. flange, zinc plated	<a href="#">799913</a>	0,37 €
58	Batteryframe, upper, repro, paint unfinished	<a href="#">254026</a>	64,31 €	58	battery hold down, R113, Repro	<a href="#">254826</a>	65,45 €

## 62 Body, Frame & Panelling

### 61 Floor Panels 230SL 250SL 280SL

61 Floor Panels 230SL 250SL 280SL



MB original spare parts / numbers were not provided for the floor parts of the passenger compartment.

Parts 1, 2, 9, 10, 13, 14, 34 and 37 are repair parts with adjustment needs.

The spare wheel well accounted for approx. 11.1964, the tank enlargement followed from 01.1965. Affected are pump environment and cross member.

The frame and body parts of the SLS assortment come from various reproductions. The surfaces vary accordingly between uncoated, galvanized, simplified primer and powder coating. The latter, previously chemically degraded, can be used as a buildable layer.

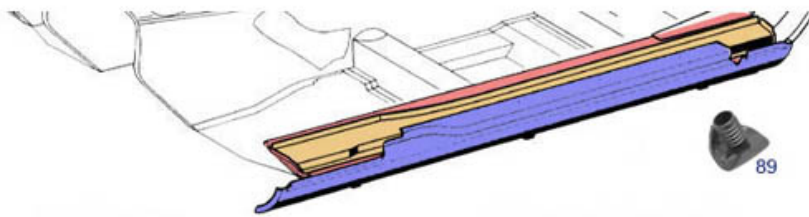
	lower plate, tunnel closure + gearbox carrier, Repro	<a href="#">268603</a>	737,80 €		Crossmember w.tank supp., 250/280SL	<a href="#">261811</a>	274,20 €
1	Repairpanel, footwell, left	<a href="#">201010</a>	65,13 €	2	Repairpanel, footwell, right	<a href="#">201020</a>	81,46 €
3	Floor, front, left, W113 230 - 280 SL	<a href="#">201030</a>	140,00 €	4	Floor, front, right, 230 - 280 SL	<a href="#">201040</a>	140,00 €
5	Rest: Floor section ctr LH, uncoated	<a href="#">201850</a>	11,90 €	5	Floor, intermediate, left, R113	<a href="#">201050</a>	40,42 €
6	Floor, intermediate, right, R113	<a href="#">201060</a>	40,42 €	6	Rest: Floor section ctr RH, uncoated	<a href="#">201860</a>	11,90 €
7	sellout: Floor panel rear left B-quality	<a href="#">201071</a>	48,69 €	7	Floor, rear, left	<a href="#">201070</a>	148,75 €
8	Floor, rear, right, R113 230 - 280 SL	<a href="#">201080</a>	148,75 €	8	NLA: Floor panel rr RH, uncoated	<a href="#">201880</a>	108,54 €
9	repair panel pushrod recording left	<a href="#">201090</a>	153,05 €	9	Repairpanel, rear Left with axle strut mount	<a href="#">201091</a>	207,98 €
10	Repairpanel, rear right with axle strut mount	<a href="#">201101</a>	207,98 €	10	repair panel pushrods recording rear right	<a href="#">201100</a>	153,05 €
13	Repair panel, over axle left, needs work for fitting	<a href="#">201110</a>	112,35 €	14	Repair panel, over axle rear right 230 - 280 SL	<a href="#">201120</a>	112,35 €
16	round cover above fuel sender, Repro	<a href="#">247814</a>	5,20 €	16	Cover above fuel sender, plastic, black	<a href="#">347014</a>	7,79 €
16	Trunk floor from 11.'64, made in EU	<a href="#">261800</a>	138,08 €	17	Grommet 4/20mm, 1 hole, drain	<a href="#">399009</a>	1,71 €

17	Trunk floor, left side	<a href="#">261070</a>	93,89 €	18	Trunk floor, Rt., with jack footpot	<a href="#">261880</a>	344,51 €
18	Trunk floor, Rt., no jack foot pot	<a href="#">261080</a>	112,79 €	19	Bracket, accelerator pedal assy LHD	<a href="#">261140</a>	41,00 €
20	Rr axle strut mount support @ floor	<a href="#">235010</a>	66,25 €	21	Spare tire well 230SL "early"	<a href="#">261895</a>	636,14 €
24	Lug wrench holder	<a href="#">164041</a>	15,33 €	25	Trough, hand brake cable R113	<a href="#">201035</a>	86,08 €
26	1 bracket at floor panel, for the mid exhaust rubber	<a href="#">261049</a>	26,25 €	30	Rail R113, LHD-RH, Repro	<a href="#">261721</a>	418,76 €
30	Main frame inner rail R113, LH	<a href="#">261011</a>	524,87 €	30	Main frame inner rail R113, RH	<a href="#">261021</a>	524,87 €
30	Rail R113, LH, Repro	<a href="#">261711</a>	410,55 €	31	Top section of frame rail left, Repro	<a href="#">261730</a>	66,76 €
31	Top section of frame rail right, Repro	<a href="#">261740</a>	66,76 €	31	Upper rail section LH, Repro	<a href="#">261830</a>	86,63 €
31	Upper rail section RH, Repro	<a href="#">261840</a>	86,63 €	32	Bracket,jack LHD 4x, RHD 3x	<a href="#">261015</a>	108,64 €
32	Cap, jack hole 230-280SL	<a href="#">289008</a>	13,74 €	33	Crossmember,under seat,lt.	<a href="#">261430</a>	212,89 €
33	Crossmember,under seat, right	<a href="#">261440</a>	212,89 €	33	Crossmember,under seat,lt.	<a href="#">261330</a>	285,99 €
33	Crossmember,under seat,rt.	<a href="#">261340</a>	285,99 €	34	Frame rail, lower rep section, RH	<a href="#">261022</a>	136,20 €
34	Frame rail, lower rep-section, LH	<a href="#">261012</a>	136,20 €	35	Reinforcement under floors	<a href="#">262300</a>	81,50 €
36	Outrigger, rear, Rt.	<a href="#">261100</a>	796,71 €	36	Outrigger, rear, Lt.	<a href="#">261090</a>	796,71 €
37	Frame rail rep.section rr.RH	<a href="#">261105</a>	353,00 €	37	Frame rail rep.section rr.LH	<a href="#">261095</a>	353,00 €
38	Outer wall rr rail LH trunk	<a href="#">261750</a>	26,70 €	39	bracket at rear rail, for rr muffler frt rubbers	<a href="#">261848</a>	65,45 €
39	Sect.of rr rail incl Exh-brack, Repro	<a href="#">261760</a>	145,66 €	40	cross member with trunk support	<a href="#">261911</a>	172,55 €
41	tail panel, all shells ready assembled	<a href="#">264710</a>	1.522,00 €	41	Frt shell, rr cross member	<a href="#">261820</a>	294,68 €
41	frt shell of rear cross member, w.tank supports	<a href="#">261720</a>	136,85 €	42	cross member shell rr/rr	<a href="#">261738</a>	172,55 €
42	cross member shell rr/rr	<a href="#">261130</a>	93,72 €	43	Outrigger, repro., rear lt.	<a href="#">261097</a>	136,99 €
43	Outrigger, repro., rear rt.	<a href="#">261107</a>	136,99 €	53	Wheel arch rr inner, RT, Repro	<a href="#">264840</a>	416,50 €
53	Wheel arch rr inner, LT, Repro	<a href="#">264830</a>	416,50 €	54	Outer wheelarch RH, rep.-version	<a href="#">264061</a>	275,00 €
54	Outer wheelarch LH, rep-section	<a href="#">264051</a>	275,00 €	54	Outer wheelarch LH, dim. "width" better than 264051	<a href="#">264851</a>	327,25 €
54	Outer wheelarch RH, dim. "width" better than 264061	<a href="#">264861</a>	327,25 €	61	thread plate for belts	<a href="#">299985</a>	16,11 €
62	bracket, pressure regulator 113 rr.axle from '68	<a href="#">261054</a>	64,20 €	91	bracket, rear seat support @rail or tunnel	<a href="#">261250</a>	155,00 €

## 61.a Info frame rail parts

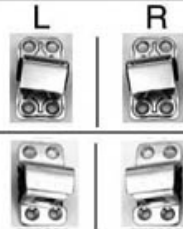
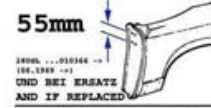
61.a Info frame rail parts

Info zu Karosseriearbeiten am Schweller  
Info about outer rail repairs



Infos zu Karosseriearbeiten ab der B-Säule  
Info about bodyworks @ B-pillar

Info about bodyworks @ B-pillar

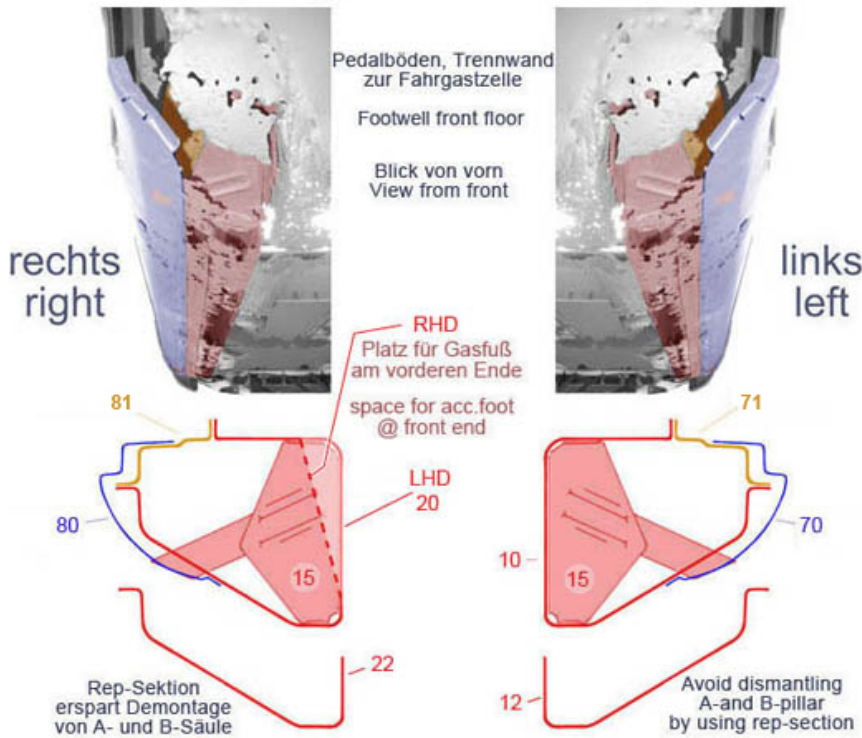


Anpassung der Schließung vor den Lackierarbeiten

Test door catch mount before paint job



Rechtzeitige Planung für Gurt-Nachrüstung  
Early planning of seatbelt installation

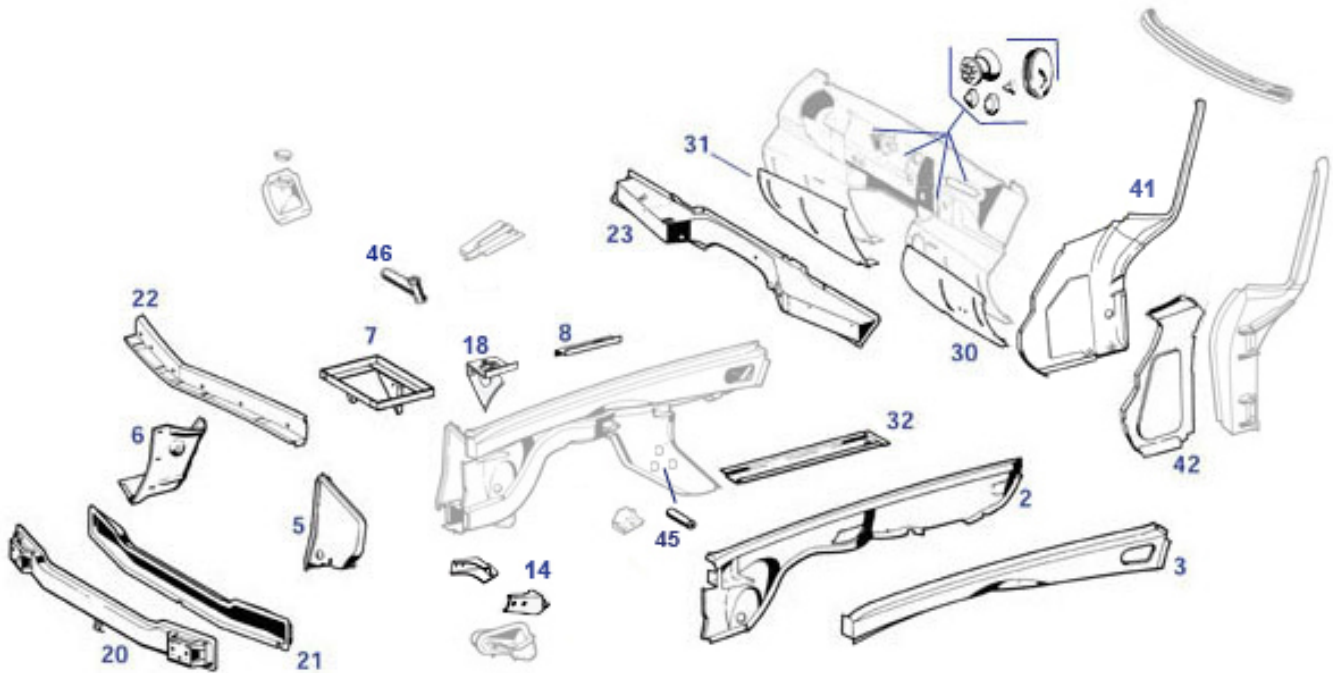


	Rocker panel RH	<a href="#">288180</a>	166,60 €		Rocker panel LH	<a href="#">288170</a>	166,60 €
10	Main frame inner rail R113, LH	<a href="#">261011</a>	524,87 €	10	Rail R113, LH, Repro	<a href="#">261711</a>	410,55 €
12	Frame rail, lower rep-section, LH	<a href="#">261012</a>	136,20 €	15	Bracket,jack LHD 4x, RHD 3x	<a href="#">261015</a>	108,64 €
20	Main frame inner rail R113, RH	<a href="#">261021</a>	524,87 €	20	Rail R113, LHD-RH, Repro	<a href="#">261721</a>	418,76 €
22	Frame rail, lower rep section, RH	<a href="#">261022</a>	136,20 €	70	Threshold panel R113, '65-'71 LH	<a href="#">288070</a>	208,67 €
71	Top section of frame rail left, Repro	<a href="#">261730</a>	66,76 €	80	Threshold panel R113, '65-'71 RH	<a href="#">288080</a>	208,67 €
81	Top section of frame rail right, Repro	<a href="#">261740</a>	66,76 €	89	Cap, jack hole 230-280SL	<a href="#">289008</a>	13,74 €

## 62 Body, front

62 Body, front

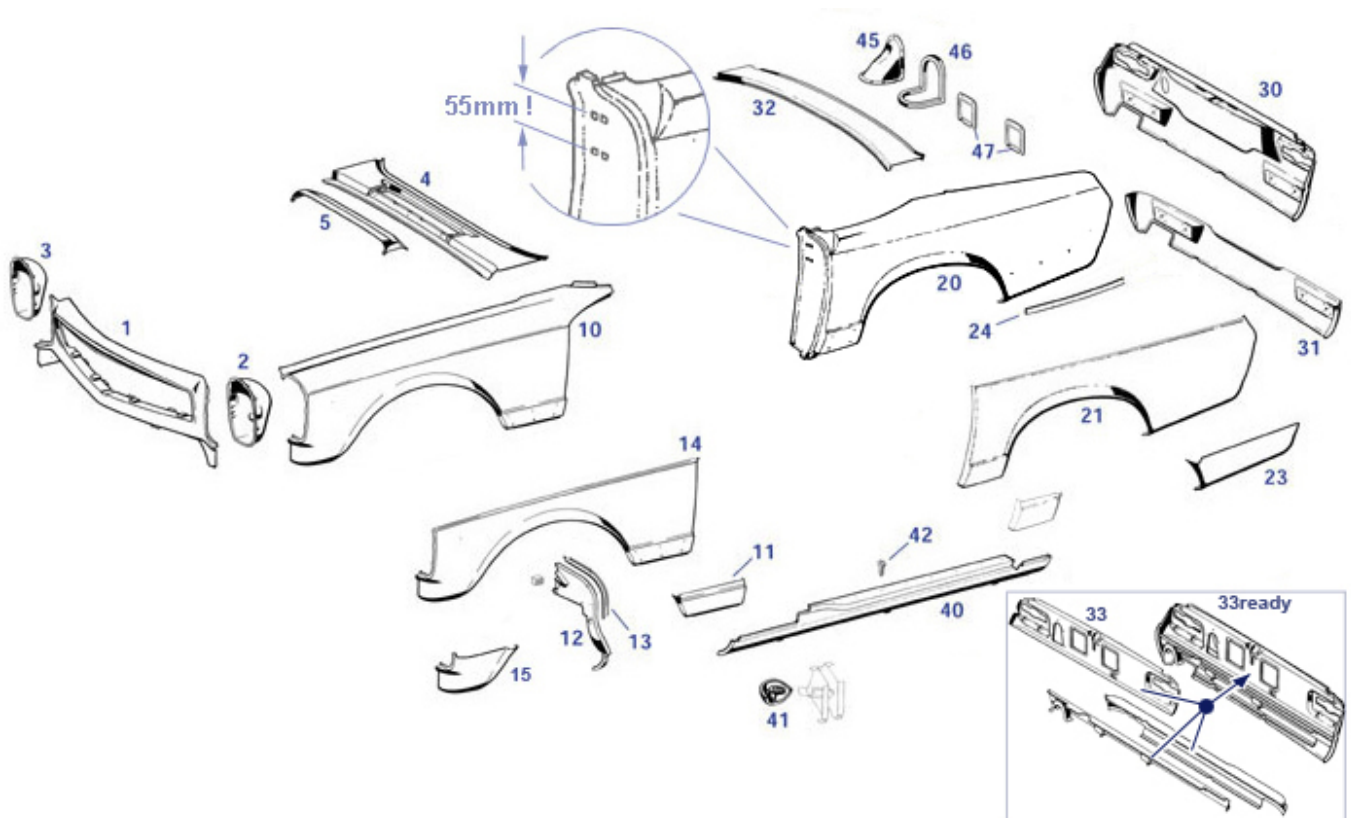




	Cardbox for large spareparts, 170x60x80cm	<a href="#">967993</a>	25,82 €		Connecting panel R113, Rt.	<a href="#">262220</a>	136,85 €
2	Front inner wheel arch RH 230-280SL, Repro	<a href="#">262140</a>	332,30 €	2	Front inner wheel arch LH 230-280SL, Repro	<a href="#">262130</a>	332,30 €
3	wheel arch strut RH	<a href="#">262825</a>	108,90 €	3	wheel arch strut LH	<a href="#">262815</a>	108,90 €
3	wheel arch strut RH	<a href="#">262625</a>	154,69 €	3	wheel arch strut LH	<a href="#">262615</a>	154,69 €
5	Baffle plate, 230-280SL, Lt	<a href="#">262070</a>	220,99 €	5	Baffle plate, 230-280SL, Lt	<a href="#">262670</a>	136,90 €
6	Casing plate, 230SL, Rt.	<a href="#">262065</a>	203,91 €	6	Baffle plate 250-280SL right	<a href="#">262960</a>	220,99 €
7	Battery frame, R113 lower	<a href="#">262050</a>	68,76 €	13	Plate, shocker bracket, upper, ref.-No. A1803260267	<a href="#">232040</a>	16,60 €
14	pair of supports L+R, signal horn mounts	<a href="#">262314</a>	220,30 €	18	Support f.hood belt and spring strut	<a href="#">262132</a>	33,20 €
20	Cross member frt shell OE 2,1kg/1,3mm	<a href="#">262020</a>	229,99 €	20	Cross member frt shell Repro 1,9kg/1,2mm	<a href="#">262720</a>	142,80 €
21	Cross member rr shell Repro 1,4kg/1,2mm	<a href="#">262830</a>	63,19 €	21	Cross member set Repro	<a href="#">262900</a>	167,67 €
21	Cross member rr shell OE 1,5kg/1,25mm	<a href="#">262030</a>	150,00 €	22	Support, inner nose panel R113	<a href="#">262040</a>	91,04 €
22	Stiffening, inner frt nose panel, Repro	<a href="#">262840</a>	130,00 €	23	Rep-section cross member RH	<a href="#">262276</a>	249,90 €
23	Rep-section cross member RH	<a href="#">262275</a>	249,90 €	23	w.shortcomings: crossmember @ firewall	<a href="#">262278</a>	609,99 €
23	Cross member, bulkhead, made in EU, welded	<a href="#">262270</a>	590,60 €	30	Repairpanel, footwell, left	<a href="#">201010</a>	65,13 €
31	Repairpanel, footwell, right	<a href="#">201020</a>	81,46 €	32	Reinforcement under floors	<a href="#">262300</a>	81,50 €
41	'A' pillar R113, inner right	<a href="#">262200</a>	259,00 €	41	'A' pillar R113, inner left	<a href="#">262190</a>	259,00 €
42	Connecting panel R113, Lt.	<a href="#">262218</a>	109,96 €	42	Connecting panel R113, Rt.	<a href="#">262228</a>	109,96 €

## 64 Panelling

64 Panelling

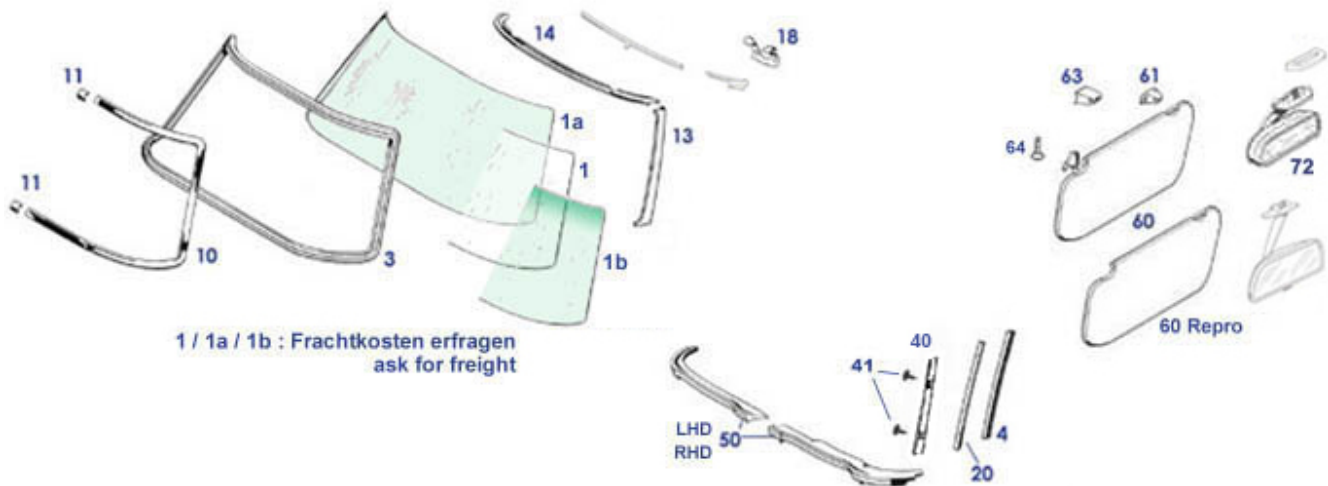


	Rocker panel RH	<a href="#">288180</a>	166,60 €		Rocker panel LH	<a href="#">288170</a>	166,60 €
	W/S glasstransp. incl. box(Germany)	<a href="#">967999</a>	121,25 €		Nose panel 230-280SL   Reproduction	<a href="#">262710</a>	819,90 €
1	Nose panel 230-280SL   Reproduction	<a href="#">262810</a>	760,28 €	2	threaded bushing, lamp housing repair	<a href="#">262855</a>	2,50 €
2	Lamp housing LH	<a href="#">262850</a>	61,23 €	2	Tube,prt.,head lamp cable,l.h.	<a href="#">254047</a>	24,29 €
2	Rubber buffer 5mm,121,113,10	<a href="#">298066</a>	0,89 €	3	Lamp housing RH	<a href="#">262860</a>	61,23 €
3	Tube,prt.,head lamp cable,r.h.	<a href="#">254046</a>	24,29 €	4	Panel upper centre, front	<a href="#">262875</a>	302,33 €
5	Screw 3,5 x 9,5, see picture	<a href="#">288081</a>	0,32 €	5	Screw for chrome strips	<a href="#">269164</a>	0,13 €
5	hood above air duct grille, Repro doesn't meet genuine Quality	<a href="#">283820</a>	175,77 €	5	Washer, entry trim strip,fr.	<a href="#">268132</a>	0,18 €
5	Screw	<a href="#">799931</a>	0,24 €	10	Wing/Fender R113 front left Repro	<a href="#">262870</a>	982,93 €
10	Wing/fender fr.left Repro incl housing	<a href="#">262770</a>	998,41 €	10	Wing/Fender R113 front right Repro	<a href="#">262880</a>	982,93 €
10	Cardbox for large spareparts, 170x60x80cm	<a href="#">967993</a>	25,82 €	10	Wing/fender fr.right Repro incl housing	<a href="#">262780</a>	998,41 €
11	Patch panel, front wing Lt.	<a href="#">262171</a>	116,87 €	11	Patch panel, front wing Rt.	<a href="#">262181</a>	116,87 €
12	Splash guard 230-280SL, Rt.	<a href="#">288660</a>	58,31 €	12	Splash guard 230-280SL, Lt.	<a href="#">288650</a>	58,31 €
12	Panelling screw 5,5 x 16 (hex head 8mm)	<a href="#">288059</a>	0,60 €	12	Wing inners, set, s/s R113	<a href="#">288054</a>	175,53 €
12	tapping hex.head screw 6,3 X 19	<a href="#">288559</a>	0,60 €	14	"Repair panel"3/4-wing"front, rt."	<a href="#">262183</a>	428,38 €
14	"Repair panel"3/4-wing"front, lt."	<a href="#">262173</a>	428,38 €	15	Patch panel LT lower frt wing section	<a href="#">262172</a>	108,16 €
15	Patch panel RT frt lower wing section	<a href="#">262182</a>	108,16 €	20	Wing(fender),rear right. FN	<a href="#">264880</a>	854,06 €
20	Wing(fender),rear left	<a href="#">264881</a>	963,90 €	20	Wing (fender) rear left	<a href="#">264871</a>	963,90 €
20	Wing(fender),rear left	<a href="#">264870</a>	854,06 €	21	Patch panel 75% wing raer Rt.	<a href="#">264083</a>	299,20 €
21	Patch panel 75% wing rear Lt.	<a href="#">264073</a>	299,20 €	23	Patch panel wing rear lower Rt.	<a href="#">264081</a>	99,86 €
23	Patch panel wing rear lower Lt.	<a href="#">264071</a>	103,95 €	24	Multi-Purpose Adhesive Insulation Seal	<a href="#">298001</a>	9,40 €
30	tail panel, outer, 230-280SL 113	<a href="#">264700</a>	347,69 €	31	Repr. panel, R113 rear end lower	<a href="#">264105</a>	262,40 €
32	ctre upper panel, except.Califor.	<a href="#">264810</a>	244,97 €	33ready	tail panel, all shells ready assembled	<a href="#">264710</a>	1.522,00 €
33	N/A ! A1136400371   inner panel, rear	<a href="#">264890</a>	217,95 €	33	inner panel, rear	<a href="#">264790</a>	577,27 €
40	Threshold panel R113, '65-'71 RH	<a href="#">288080</a>	208,67 €	40	Threshold panel R113, '65-'71 LH	<a href="#">288070</a>	208,67 €
41	Cap, jack hole 230-280SL	<a href="#">289008</a>	13,74 €	45	Tapping screw Phillips 4,2x9,5	<a href="#">799936</a>	0,15 €
45	Cover plate, filler neck	<a href="#">269020</a>	31,77 €	46	16 m sealing compound strip 3mm	<a href="#">699996</a>	10,59 €

46	Edge protection profile mtr, eg trunk	<a href="#">269010</a>	3,80 €	47	black		
61	Frt shell, rr cross member	<a href="#">261820</a>	294,68 €	61	cover, rear panel, inner	<a href="#">269033</a>	43,61 €
					frt shell of rear cross member,	<a href="#">261720</a>	136,85 €
					w.tank supports		

# 67 Windscreen 230SL 250SL 280SL

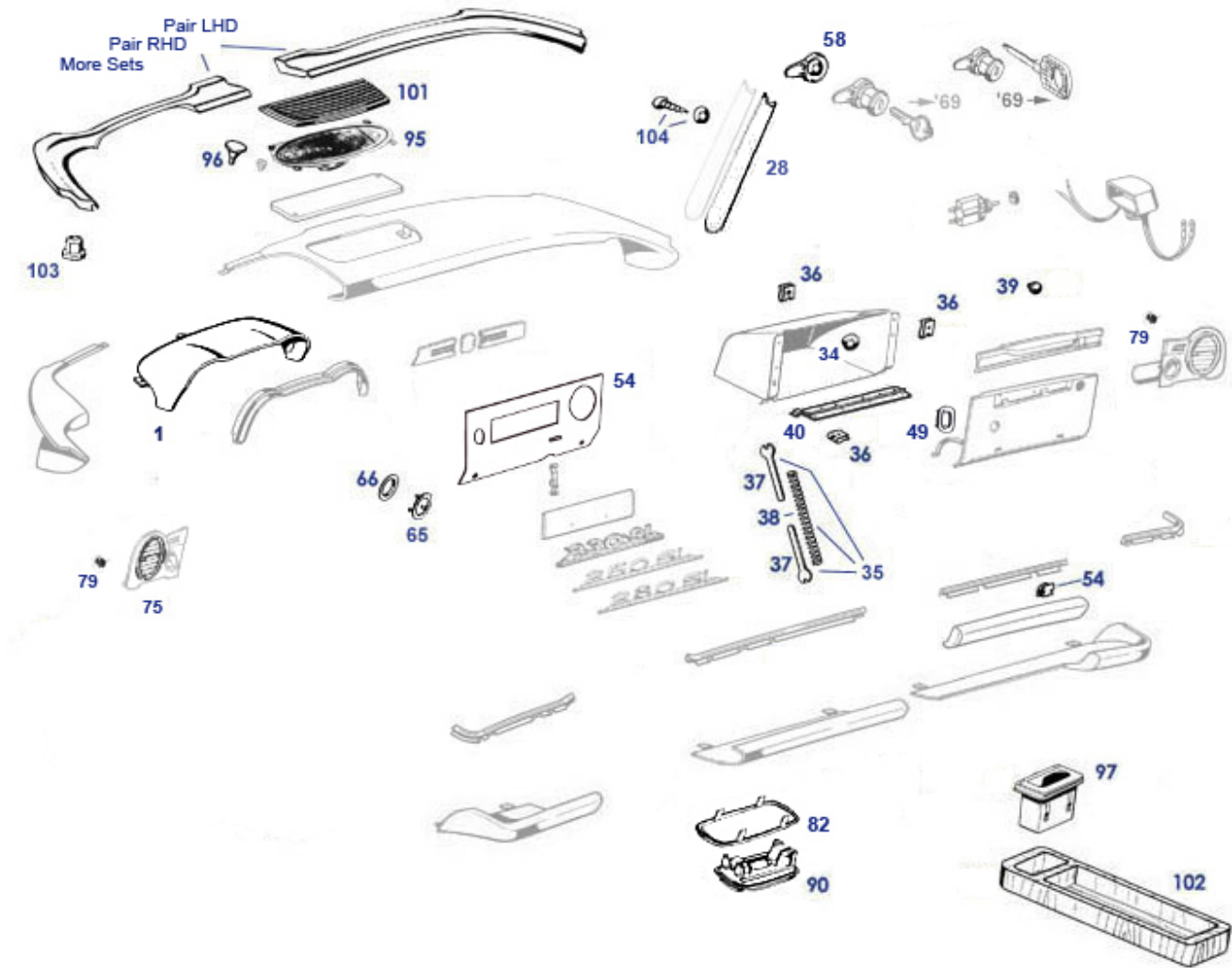
67 Windscreen 230SL 250SL 280SL



	M6 x12 bolt, counter sunk head DIN91, chromed	<a href="#">277266</a>	7,46 €		Pair sunvisors 230SL, light Repro	<a href="#">281730</a>	385,58 €
1	Windshield/windscreen R113, clear	<a href="#">267501</a>	315,35 €	1a	Windscreen R113, green, repro	<a href="#">269700</a>	344,51 €
1	W/S glasstransp. incl. box(Germany)	<a href="#">967999</a>	121,25 €	1	del-t: Windshield/windscreen R113, clear	<a href="#">267001</a>	390,00 €
1a	Windscreen R113, green, repro, remaining stocks, discont.prod	<a href="#">269800</a>	124,95 €	1b	Windshield R113, green + green sripe	<a href="#">269501</a>	402,99 €
3	W/S seal, import quality	<a href="#">267800</a>	79,99 €	3	Windshield seal 230-280SL	<a href="#">267000</a>	99,95 €
4	Seal, A-pillar, L or R, needs t.b.cutte	<a href="#">272228</a>	13,47 €	4	Seal, A-pillar, left/right side, needs to be cutted!	<a href="#">272220</a>	25,88 €
10	Windscreen Chrome Surround - Right	<a href="#">267050</a>	495,99 €	10	Windscreen Chrome Surround - Left	<a href="#">267040</a>	495,99 €
11	Connecting piece, middle	<a href="#">267045</a>	14,33 €	13	Blechschaube zB Einstieg unter Gummim.	<a href="#">288134</a>	0,19 €
13	Raw brass covering, A pillar LH	<a href="#">268805</a>	298,69 €	13	Raw brass covering, A pillar RH	<a href="#">268806</a>	298,69 €
14	Raw brass covering, upper ws frame	<a href="#">267810</a>	324,99 €	18	Escutcheon, roof lock	<a href="#">268023</a>	136,53 €
20	Weatherstrip seal holder, Lt.	<a href="#">272725</a>	382,61 €	20	Chrome rail, A-pillar, Rt.	<a href="#">272726</a>	382,61 €
40	1 pair raw pillar covering inserts	<a href="#">267803</a>	291,55 €	40	1 pair wood, raw base, a pillar W113 ->67	<a href="#">267704</a>	327,25 €
40	1 pair raw pillar covering alu inserts	<a href="#">267703</a>	357,00 €	41	Escutcheon fitting panelling screws diam 3,9	<a href="#">267014</a>	0,89 €
50	Wood bow, 2-pce, LHD	<a href="#">267100</a>	822,00 €	50R	Washer, Star/frame	<a href="#">288047</a>	0,55 €
50R	Wood bow, on dashboard 2-pce, RHD	<a href="#">267101</a>	569,27 €	50R	Fastener for window frame	<a href="#">267105</a>	1,25 €
50	Wood bow, on dashboard, 2-pce, LHD	<a href="#">267700</a>	447,89 €	60 Repro	Pin for sun visor from 1967	<a href="#">281739</a>	29,16 €
60 Repro	Pair Sunvisors '67-> light Repro	<a href="#">281735</a>	348,43 €	60 Repro	Chrome bracket LH visor ->'67	<a href="#">281158</a>	160,00 €
60 Repro	Chrome bracket, visor RH ->'67	<a href="#">281168</a>	161,99 €	60	S'visor support, outer, 67->, RH	<a href="#">281160</a>	89,90 €
60 Repro	S'visor support, outer, 67->, LT	<a href="#">281150</a>	89,90 €	60 Repro	S'visor `67->, Lt.no mirr,no supp	<a href="#">281137</a>	223,35 €
60 Repro	S'visor `67->, Rt.w. mirr,no supp,Repro	<a href="#">281136</a>	223,35 €	60 Repro	Sunvisor ->67 LH w/o bracket, cream	<a href="#">281131</a>	229,00 €
60 Repro	Sunvisor ->67 RH w/o bracket, cream	<a href="#">281132</a>	229,00 €	61	Counter sunk screw 4,2x14, industrial chromed	<a href="#">799932</a>	0,58 €
61	Bracket, sunvisor ->'67	<a href="#">281038</a>	5,96 €	63	Square nut e.g. at 281039	<a href="#">281169</a>	0,44 €
63	panel screw, lens head, 3,5x22 visorsup	<a href="#">281159</a>	0,44 €	63	Bracket, sunvisor'67->,cream-grey	<a href="#">281039</a>	13,64 €

## 68 Covering, insulation, wood

### 68.a Dashboard coverings

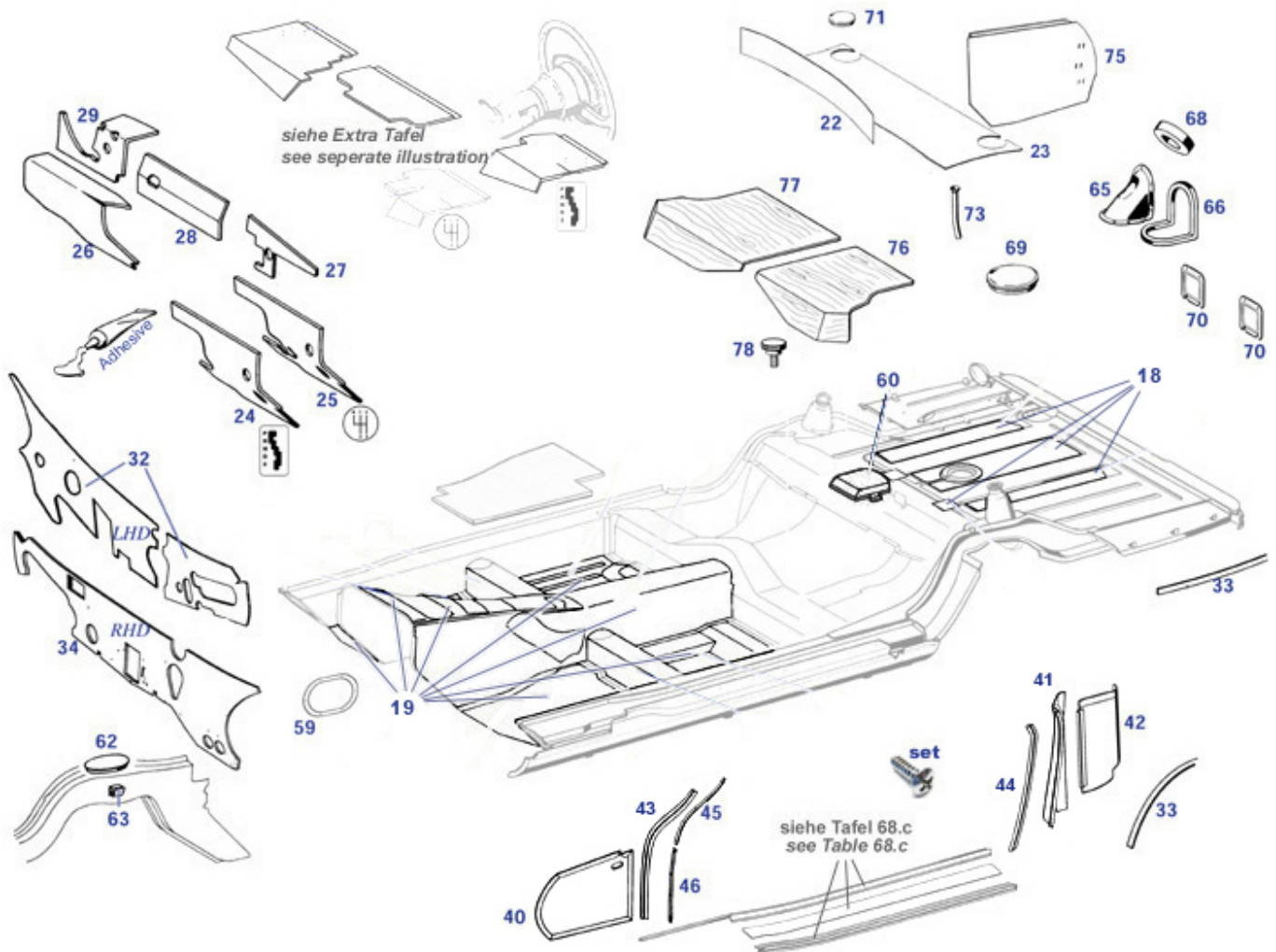


screw	Screw (sill to wheel arch)	<a href="#">288133</a>	0,50 €		Metal Clip, covers,	<a href="#">268676</a>	1,79 €
	Wood kit LHD 4-pcs repro	<a href="#">268720</a>	1.249,50 €	LHD	Wood bow, 2-pce, LHD	<a href="#">267100</a>	822,00 €
RHD	Wood bow, on dashboard 2-pce, RHD	<a href="#">267101</a>	569,27 €		Plastic-clip universal/VW, may replace SLS 268726	<a href="#">968275</a>	0,60 €
	Wood bow, on dashboard, 2-pce, LHD	<a href="#">267700</a>	447,89 €		Bulb 12V / 10W, torpedo, total length 38	<a href="#">799081</a>	1,46 €
1	raw inner shell, LHD dash section instruments	<a href="#">268803</a>	524,79 €	28	1 pair wood, raw base, a pillar W113 ->67	<a href="#">267704</a>	327,25 €
28	1 pair raw pillar covering alu inserts	<a href="#">267703</a>	357,00 €	28	1 pair raw pillar covering inserts	<a href="#">267803</a>	291,55 €
36	Spring clip nut, 4,2 e.g. glove box	<a href="#">299027</a>	0,43 €	36	countersunk washer / screw escutcheon	<a href="#">373113</a>	0,70 €
36	Spring clip nut, 4,2, e.g. wing 107,...	<a href="#">299028</a>	0,33 €	37	Fork, glovebox lid	<a href="#">168070</a>	8,09 €
38	Glove box closure spring	<a href="#">168071</a>	10,82 €	39	Rubber plug, e.g. drain holes ca. 8mm	<a href="#">198005</a>	1,55 €
40	Hinge strip LHD glovebox	<a href="#">268118</a>	199,99 €	49	Escutcheon, dull, for link rod glove box	<a href="#">268249</a>	36,00 €
54	Ctre section dashboard 230SL	<a href="#">268054</a>	106,06 €	54	Clip, glovebox trim	<a href="#">268857</a>	1,30 €
58	locking latch/link, glove box lock	<a href="#">268058</a>	17,61 €	65	lock escutcheon up to '67, Brass, chromed	<a href="#">268741</a>	14,68 €
65	lock escutcheon up to '67, Alu anodized	<a href="#">268041</a>	7,98 €	65	Rest: escutcheon from '67, brass, chromed	<a href="#">268743</a>	14,99 €
66	Rubber ring   1967 -> 07..1979   A1156890097	<a href="#">268044</a>	4,61 €	66	Rubber pad, dec. ring, ->'67	<a href="#">268042</a>	16,18 €
75	Air vent jet w. mesh, chrome	<a href="#">283070</a>	350,92 €	79	round clips, vent bezels to dash	<a href="#">268143</a>	14,29 €
82	frame underneath interior lamp	<a href="#">282680</a>	18,39 €	90	Bulb 12V / 10W, torpedo, total	<a href="#">299094</a>	1,44 €

90	Interior light HELLA,same as MB- Replacement	<a href="#">282920</a>	31,33 €	90	length 44 Interior light, simplified	<a href="#">282020</a>	11,90 €
95	Set mountg.-bits speaker pagoda, incudes mesh	<a href="#">268129</a>	57,10 €	95	Oval loudspeaker 230-280SL	<a href="#">268015</a>	143,60 €
95	Set mountg.-bits speaker pagoda	<a href="#">268109</a>	29,99 €	95	Large sheet, speaker protection fabric 1400 x 700	<a href="#">268128</a>	45,22 €
96	Rubber buffer 5mm,121,113,10	<a href="#">298066</a>	0,89 €	97	Ash tray, black	<a href="#">281800</a>	174,93 €
97	Ashtray in special colour	<a href="#">280980</a>	292,50 €	97	Ash tray, black	<a href="#">281000</a>	267,61 €
101	Countersuk screw eg wood grille	<a href="#">267109</a>	0,50 €	101	Speaker grille, wood R113	<a href="#">268017</a>	350,65 €
102	Wood box, tranms. Tunnel	<a href="#">284700</a>	296,89 €	103	Washer, Star/frame	<a href="#">288047</a>	0,55 €
103	Fastener for window frame	<a href="#">267105</a>	1,25 €	254101	A0015450211 Contact switch, glovebox	<a href="#">254101</a>	402,03 €

## 68.b Mats, Noise Reduction

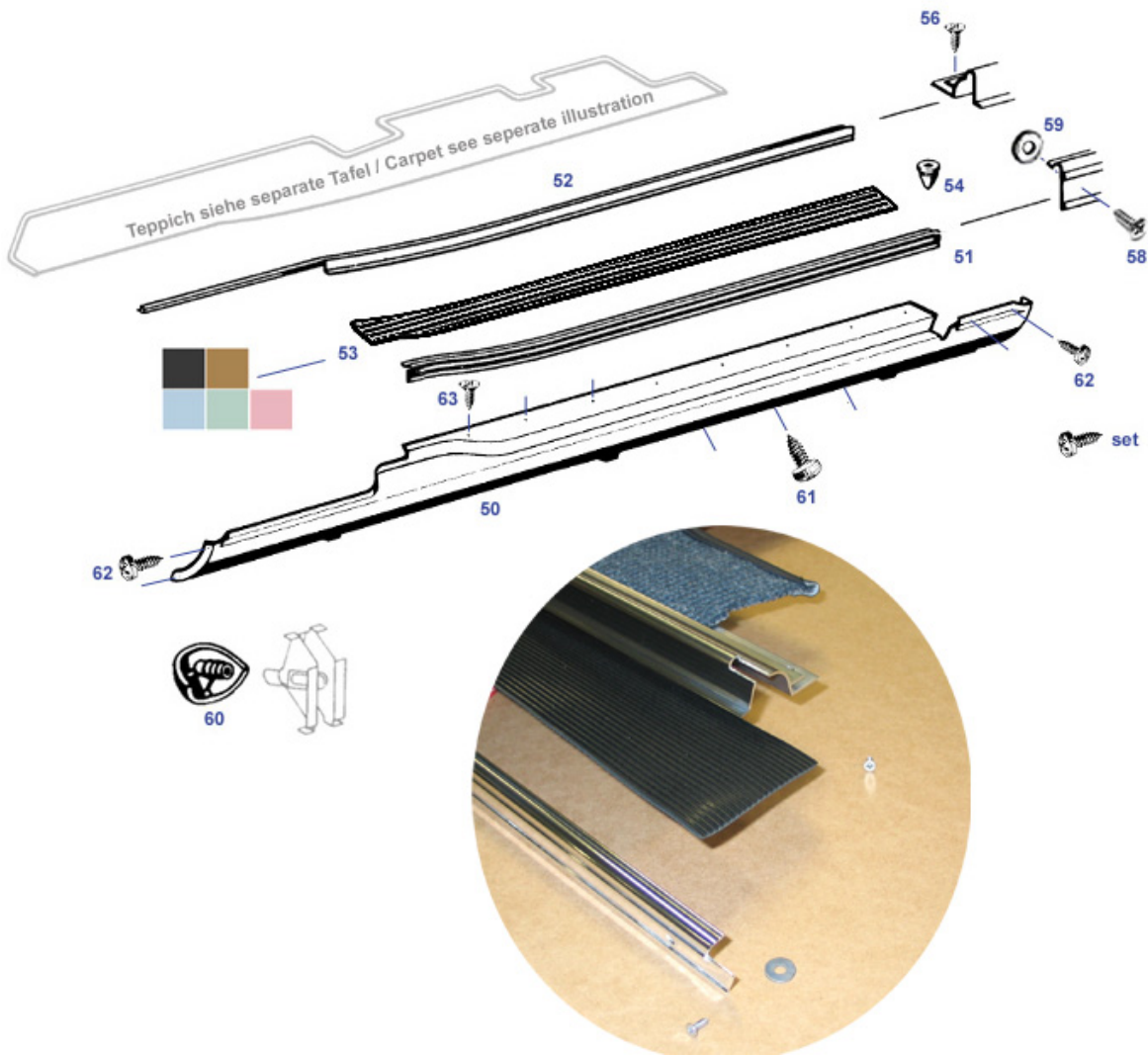
68.b Mats, Noise Reduction



	lower plate, tunnel closure + gearbox carrier, Repro	<a href="#">268603</a>	737,80 €	n/a: pad, insulation near trunk wiring	<a href="#">268192</a>	5,38 €
Adhesive	no parcel service possible: glue 250ml	<a href="#">968027</a>	7,08 €	Rubbermat trunk from VIN, B- quality,res	<a href="#">268700</a>	284,29 €
	Curled nut, wooden covering	<a href="#">268739</a>	39,20 €	Speaker, 113 footwell, if "Stereo"	<a href="#">268215</a>	118,76 €
	rubber boot mat, late	<a href="#">268702</a>	405,55 €	Bit.mat, boot(trunk)LH/RH	<a href="#">268191</a>	9,95 €
	Metal Clip, covers,	<a href="#">268676</a>	1,79 €	18 Set boot floor insulation mats W113	<a href="#">268773</a>	89,99 €
19	Set interior insulation 280SL LHD	<a href="#">268772</a>	583,99 €	19 Set interior insulation 230SL	<a href="#">268771</a>	599,99 €
19	1sqm mat, Terodem SP300 self adhesive	<a href="#">968170</a>	75,45 €	22 Pad, rear compt.fr.wall	<a href="#">268194</a>	13,45 €
23	Insulation lower box cover	<a href="#">268193</a>	80,63 €	23 2 pcs. softtop box damping, simple quality	<a href="#">268893</a>	58,55 €

24	Insulation mat,bulkhead LT lower LHD-ma	<a href="#">268198</a>	59,44 €	25	Insulation mat, firewall Lt. lo	<a href="#">268208</a>	57,61 €
26	Insulation mat, firewall Rt. lo	<a href="#">268199</a>	58,66 €	27	Insulation mat, firewall Lt. up	<a href="#">268195</a>	35,00 €
28	Insulation mat, firewall ctre.	<a href="#">268196</a>	29,07 €	29	Insulation mat, firewall Rt. up	<a href="#">268197</a>	45,35 €
32	Firewall mat LHD, Material 13mm	<a href="#">268530</a>	249,90 €	32	Firewall insulation, geometr.pattern,LH	<a href="#">268830</a>	399,99 €
33	Multi-Purpose Adhesive Insulation Seal	<a href="#">298001</a>	9,40 €	34	Firewall Insulation RHD	<a href="#">268726</a>	129,04 €
40	raw wooden fibre card, LH footwell covering	<a href="#">268031</a>	19,99 €	40	raw wooden fibre card, RH footwell covering	<a href="#">268032</a>	19,99 €
41	Raw blank inner cover B-pillar LH	<a href="#">269165</a>	155,00 €	41	Raw blank inner cover B-pillar RH	<a href="#">269166</a>	155,00 €
42	Cover plate , rear, left	<a href="#">269170</a>	174,99 €	42	Cover plate , rear, Rt.	<a href="#">269180</a>	174,99 €
43	set of 4 insulation strip, door pillars, black leather	<a href="#">272890</a>	199,99 €	45	Dec.strip, A-pillar, upper	<a href="#">272837</a>	61,75 €
45	Dec.strip, A-pillar, upper	<a href="#">272838</a>	61,75 €	46	Ctr sunk screw @ 272033/044/300/400	<a href="#">272034</a>	1,44 €
46	Dec.strip, A-pillar, lower	<a href="#">272836</a>	170,00 €	46	Dec.strip, A-pillar, lower	<a href="#">272835</a>	170,00 €
59	Covering, tunnel near gearbox	<a href="#">268069</a>	37,96 €	59	Metal cover round, strut, sp.tyre well, ..	<a href="#">268070</a>	7,70 €
59	Tapping screw Phillips 4,2x9,5	<a href="#">799936</a>	0,15 €	60	Rivet,for cover in boot	<a href="#">269034</a>	0,35 €
60	cover rear cross member, above axle mount	<a href="#">269832</a>	31,90 €	62	Cover, front subframe mount	<a href="#">268010</a>	11,90 €
63	Clip,cover	<a href="#">268009</a>	1,57 €	65	Cover plate, filler neck	<a href="#">269020</a>	31,77 €
66	Edge protection profile mtr, eg trunk	<a href="#">269010</a>	3,80 €	68	Foam sealing ring, filler neck->boot	<a href="#">269030</a>	7,13 €
69	round cover above fuel sender,Repro	<a href="#">247814</a>	5,20 €	69	Cover above fuel sender, plastic,black	<a href="#">347014</a>	7,79 €
70	cover, rear panel, inner	<a href="#">269033</a>	43,61 €	73	Run-off / drip hose, S/T compartment	<a href="#">279032</a>	11,25 €
75	Left Trunk Cover   Paper Board+foam	<a href="#">268611</a>	88,88 €	75	Right Trunk Cover   Paper Board+foam	<a href="#">268610</a>	88,88 €
76	raw wooden floors, pair	<a href="#">268735</a>	599,99 €	76	Wooden floor rear lt	<a href="#">268330</a>	623,99 €
77	Wooden floor rear rt	<a href="#">268340</a>	655,10 €	78	Knurled screw, wooden covering	<a href="#">268839</a>	31,05 €

## 68.c Rockerpanel and trim

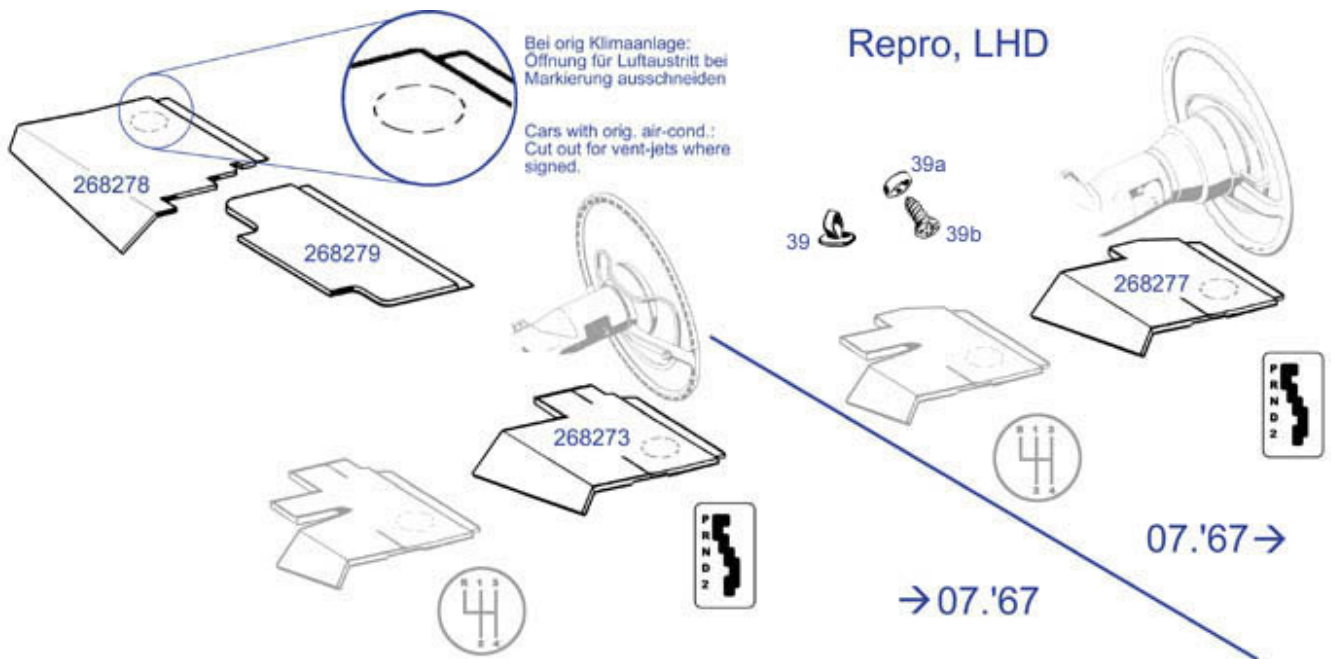


50	Threshold panel R113, '65-'71 RH	<a href="#">288080</a>	208,67 €	50	Threshold panel R113, '65-'71 LH	<a href="#">288070</a>	208,67 €
51	Moulding set 4pcs 230-280SL	<a href="#">268880</a>	564,55 €	51	Cover rail,thresh.,outer Lt.	<a href="#">268130</a>	118,55 €
51	Cover rail, thresh.,outer Rt.	<a href="#">268140</a>	118,55 €	52	Cover rail, thresh.,inner Lt.	<a href="#">268150</a>	150,29 €
52	Cover rail, thresh.,inner Rt.	<a href="#">268160</a>	150,29 €	53	Mat, entry panel RH, cream color, B	<a href="#">268062</a>	32,50 €
53	Mat dark blue-grey 1200x130 rubber grov	<a href="#">268869</a>	109,00 €	53	Mat, entry panel LH, cream color, B	<a href="#">268061</a>	32,50 €
53	Rubber mat, black Repro, rocker RT	<a href="#">268866</a>	20,61 €	53	Rubber mat, black repro, rocker LT	<a href="#">268865</a>	20,61 €
53	1 pair Mat, red, 1200x130 rubber, groove	<a href="#">268867</a>	109,00 €	54	Rubber buffer 5mm,121,113,10	<a href="#">298066</a>	0,89 €
58	panelling screw, phillips, chromed	<a href="#">268133</a>	1,32 €	59	Washer, entry trim strip,fr.	<a href="#">268132</a>	0,18 €
60	Cap, jack hole 230-280SL	<a href="#">289008</a>	13,74 €	61	Screw 3,5 x 9,5, see picture	<a href="#">288081</a>	0,32 €
62	Screw (sill to wheel arch)	<a href="#">288133</a>	0,50 €	63	Blechschaube zB Einstieg unter Gummim.	<a href="#">288134</a>	0,19 €

## 68.d Covering under dashboard

68.d Covering under dashboard





	frame underneath interior lamp	<a href="#">282680</a>	18,39 €	39b	Screw @ front grille	<a href="#">188071</a>	1,54 €
39a	Washer, chrome, high shape, fits up to 4mm screws	<a href="#">288013</a>	2,99 €	39	Metal Clip, covers,	<a href="#">268676</a>	1,79 €
268273	Cover Paper, Lt. ->'67 autom. LHD	<a href="#">268273</a>	51,53 €	268277	Cover Paper, Lt. '67-> autom. LHD	<a href="#">268277</a>	51,53 €
268278	Cover Paper, Rt, 113 standard LHD	<a href="#">268278</a>	47,66 €	268279	Cover Paper, mid.113 standard LHD	<a href="#">268279</a>	46,36 €

## 68.e Floor mats, info and attached parts

68.e Floor mats, info and attached parts

## Teppich: Beispiel für Lieferumfang und Befestigungsteile

Abbildung: frühe Fahrzeuge mit Gummimatten vorn  
(kein Teppich auf vorderen Böden)

Illustration: early cars, front rubber mats  
(no carpet in frt. footwell)

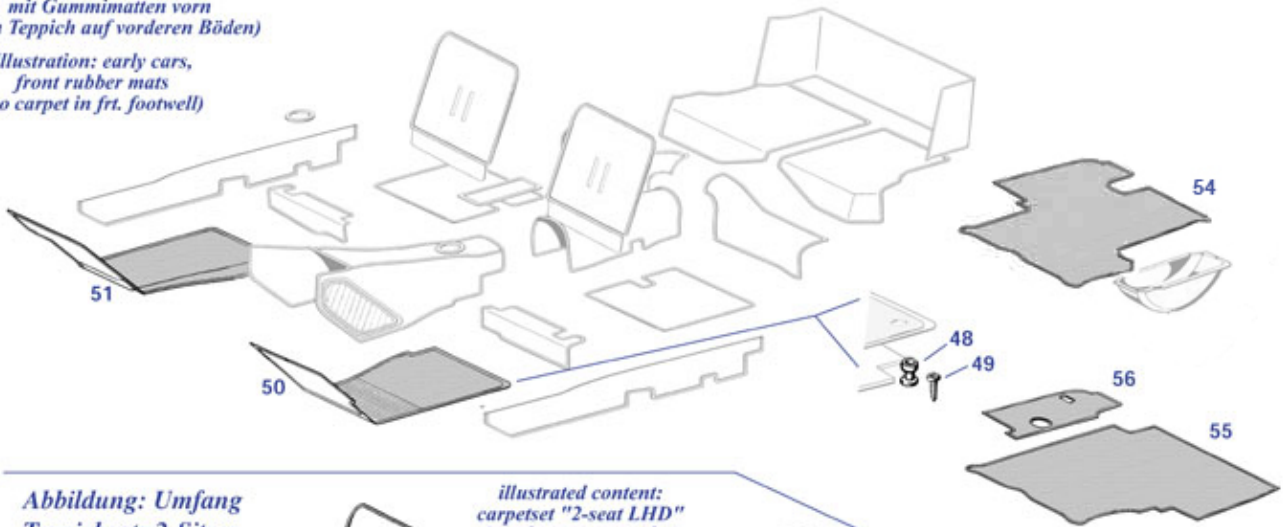
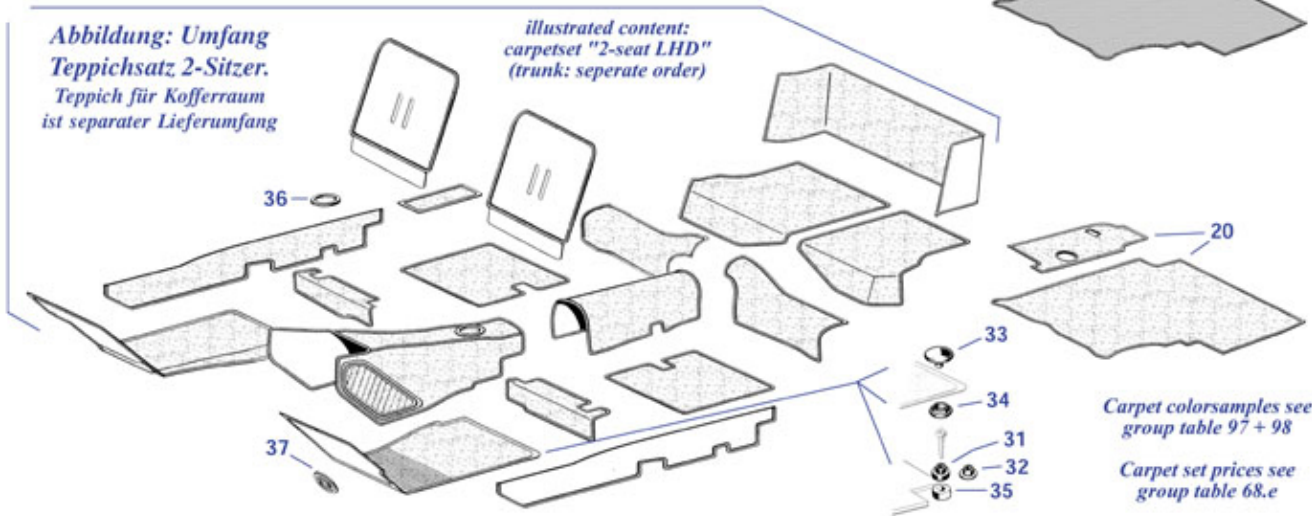


Abbildung: Umfang Teppichsatz 2-Sitzer.  
Teppich für Kofferraum ist separater Lieferumfang

illustrated content:  
carpetset "2-seat LHD"  
(trunk: seperate order)



Carpet colorsamples see group table 97 + 98

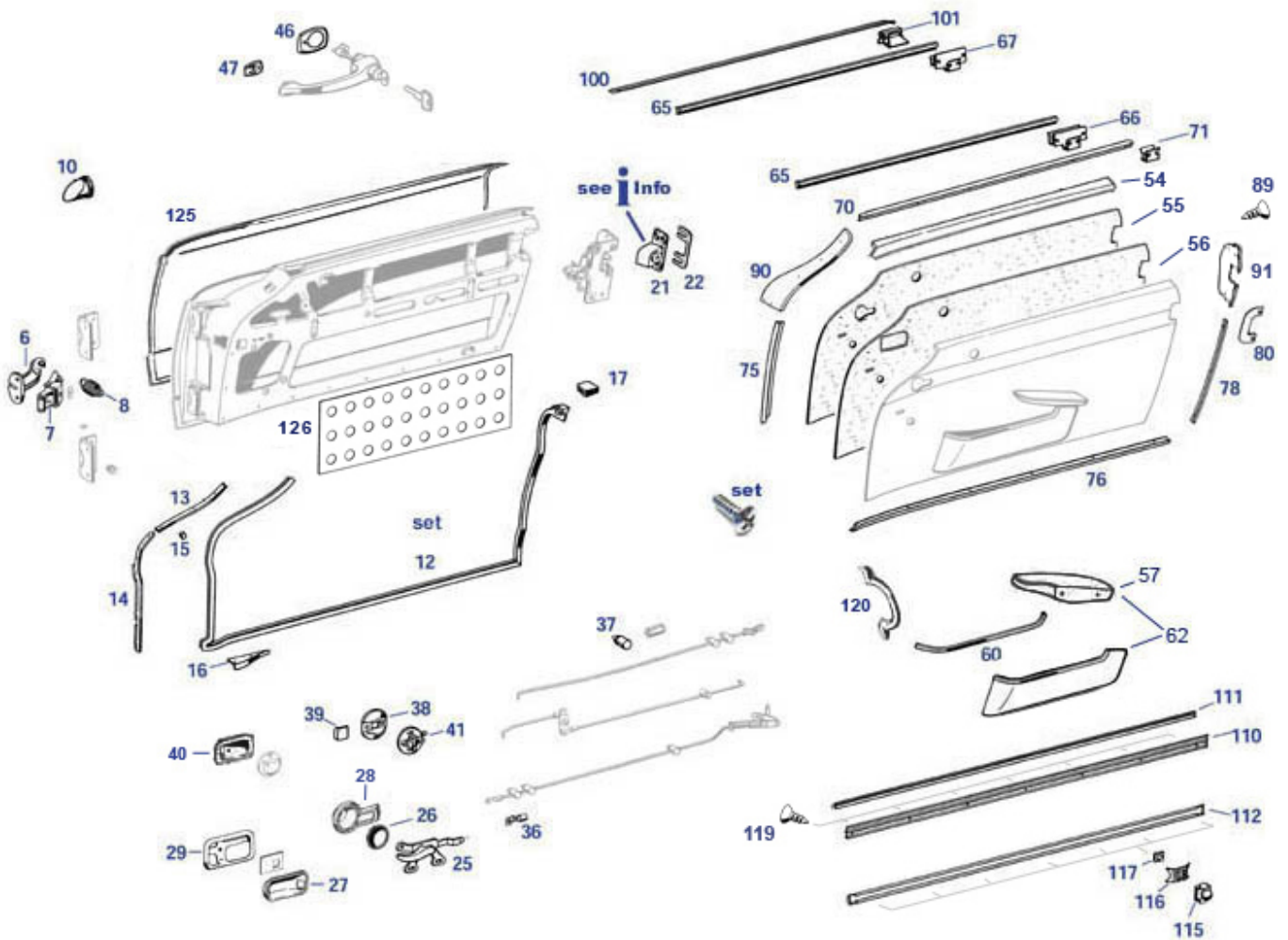
Carpet set prices see group table 68.e

	round cover above fuel sender,Repro	<a href="#">247814</a>	5,20 €		Cover above fuel sender, plastic,black	<a href="#">347014</a>	7,79 €
20	Protection, boot mat early	<a href="#">268301</a>	49,50 €	32	Ball to screw, part of snap	<a href="#">177003</a>	0,43 €
33	Cap part of snap	<a href="#">177005</a>	1,79 €	34	Spring eye part of snap	<a href="#">177006</a>	0,39 €
37	Carpet, rubber, impr. beige	<a href="#">268081</a>	5,58 €	37	Carpet, rubber, impr. dk. brown	<a href="#">268082</a>	5,58 €
37	Carpet, rubber, impr. red	<a href="#">268084</a>	5,58 €	37	Carpet, rubber, impr. light brown	<a href="#">268080</a>	5,58 €
37	Carpet, rubber, impr. green	<a href="#">268079</a>	5,58 €	37	Carpet, rubber, impr. blue	<a href="#">268078</a>	6,90 €
37	Carpet, rubber, impr. light grey	<a href="#">268077</a>	6,90 €	37	Carpet, rubber, impr. black	<a href="#">268076</a>	5,46 €
48	Knob(1pce),e.g.rubbermats	<a href="#">268105</a>	4,94 €	49	Screw 4,2 x 25	<a href="#">268104</a>	0,30 €
54	Gummimatte Kofferraum früh /Rad stehend	<a href="#">268701</a>	387,35 €	55	Protection, boot mat late	<a href="#">268302</a>	49,90 €
55	rubber boot mat, late	<a href="#">268702</a>	405,55 €	55	Rubbermat trunk from VIN, B-quality,res	<a href="#">268700</a>	284,29 €
56	Rubber mat, boot, RT, black reproductio	<a href="#">268400</a>	23,18 €	56	Rubber pan, jack storage support (foot)	<a href="#">259998</a>	18,21 €

## 72 Door

### 72.a Door

72.a Door

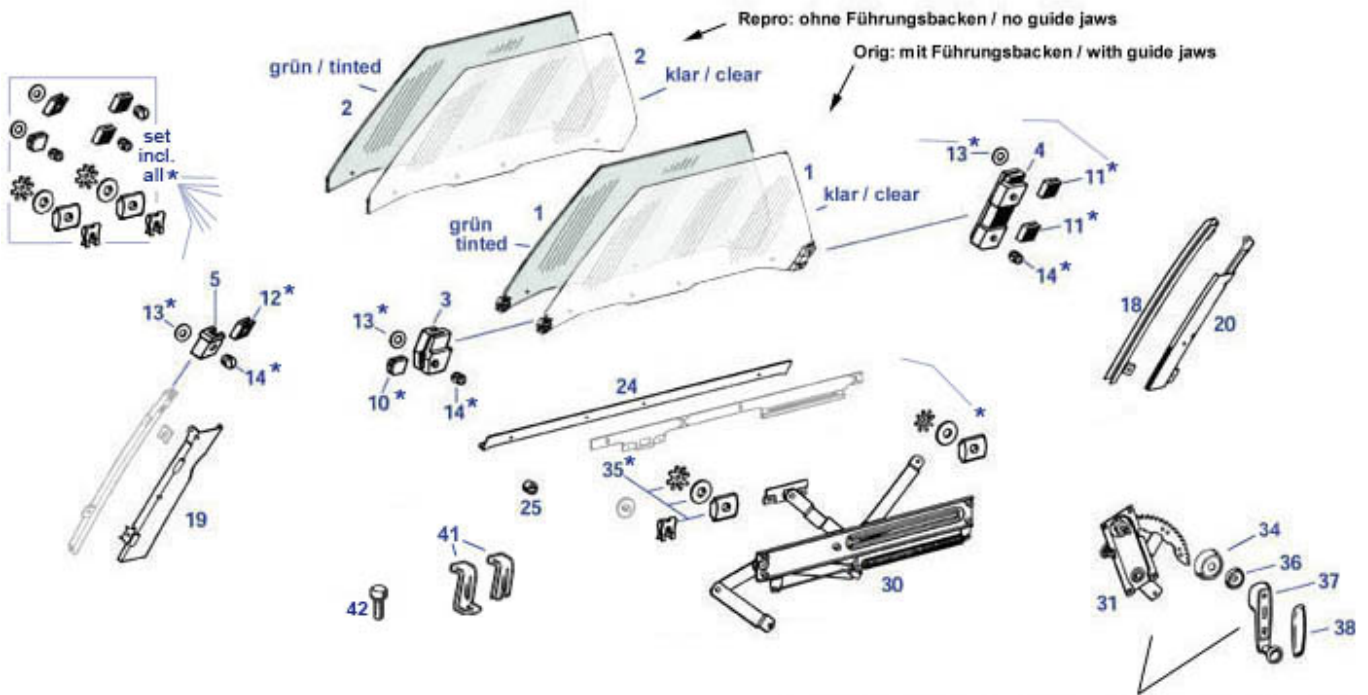


Dec.strip, A-pillar, upper	<a href="#">272837</a>	61,75 €	Dec.strip, A-pillar, lower	<a href="#">272836</a>	170,00 €
Screw countersunk, 3,9 x 22	<a href="#">999994</a>	2,28 €	steel, sandblasted, upper part of cover structure LH, B-Quality	<a href="#">B272137</a>	95,20 €
Screw @ front grille	<a href="#">188071</a>	1,54 €	Dec.strip, A-pillar, upper	<a href="#">272838</a>	61,75 €
Dec.strip, A-pillar, lower	<a href="#">272835</a>	170,00 €	Dec. strip, ALU R113 @ door RH, repro	<a href="#">272672</a>	99,00 €
Set rubbers, glasses into lower rails	<a href="#">272775</a>	67,70 €	Locking cylinders set, up to 05.1969	<a href="#">289808</a>	899,99 €
set of 4 insulation strip, door pillars, black leather	<a href="#">272890</a>	199,99 €	6 Catch,doorcheck, Lt./Rt.	<a href="#">272060</a>	136,85 €
7 Doorcheck, Lt. / Rt.	<a href="#">272061</a>	176,35 €	7 roll, door stop repair	<a href="#">272079</a>	29,75 €
8 Tension spring,doorcheck	<a href="#">272054</a>	9,97 €	10 Plug, rubber	<a href="#">272840</a>	5,68 €
12 Door seal 230-280SL rightrepro	<a href="#">272820</a>	77,10 €	12 Door seal 230-280SL left repro	<a href="#">272810</a>	77,10 €
12 Seal, door 230-280SL, Lt.	<a href="#">272100</a>	149,99 €	12 Seal, door 230-280SL, Rt.	<a href="#">272200</a>	149,99 €
13 Seal holder,front upper Lt.	<a href="#">272041</a>	70,32 €	13 Seal holder,front upper Rt.	<a href="#">272042</a>	70,32 €
14 Seal holder,front lower Rt.	<a href="#">272046</a>	183,08 €	14 Seal holder,front lower left side	<a href="#">272045</a>	183,08 €
14 Left Upper Retaining Rail	<a href="#">272841</a>	145,66 €	14 Right Upper Retaining Rail	<a href="#">272842</a>	145,66 €
15 Spacer bushing	<a href="#">272043</a>	3,45 €	15 Chromed screw countersunk eg.door panel	<a href="#">172199</a>	0,83 €
17 Rubber buffer @ soft top, Rt.	<a href="#">272286</a>	38,85 €	17 Rubber buffer @ soft top, Lt.	<a href="#">272285</a>	38,85 €
20 lock mechanism LH, no prot-lock	<a href="#">172049</a>	459,99 €	20 lock mechanism LH, w. prot-lock	<a href="#">272050</a>	478,39 €
20 lock mechanism RH, no prot-lock	<a href="#">272051</a>	432,21 €	20 late lock mechanism RH, no prot-lock	<a href="#">272062</a>	457,70 €
20 late lock mechanism LH, w. prot-lock	<a href="#">272063</a>	572,25 €	20 lock mechanism RH, no prot-lock	<a href="#">172048</a>	399,45 €

21	screw	<a href="#">299046</a>	0,77 €	21	Screw, 6x16 e.g. door catch, ..	<a href="#">777021</a>	1,24 €
21	Door catch LH, ca. 06.'69 to 08.'85	<a href="#">272621</a>	107,10 €	21	Door catch RH, ca. 06.'69 to 08.'85	<a href="#">272620</a>	107,10 €
21	Door catch RT. 07.61->'67 3-hole	<a href="#">272022</a>	91,25 €	21	Door catch Lt. R113 07.61->'67 3-hole	<a href="#">272055</a>	91,45 €
22	Distancer, milled, ca. 1,55mm	<a href="#">172075</a>	40,11 €	22	distancer 0,5mm flat , door catch '69->	<a href="#">872012</a>	4,76 €
22	Distancer, milled, ca. 1,15mm	<a href="#">172073</a>	27,16 €	22	Distancer, 1,5mm, door catch '69->..	<a href="#">572012</a>	4,76 €
22	Distancer, milled, ca. 1,35mm	<a href="#">172074</a>	35,05 €	25	Locking washer M6	<a href="#">299273</a>	0,21 €
25	Opener handle inner RH ->'67 (230,250FN)	<a href="#">276112</a>	174,76 €	25	Opener handle inner LH ->'67 (230,250FN)	<a href="#">276111</a>	174,76 €
25	Opener handle inner LH '67-> (250FN,280)	<a href="#">276011</a>	289,99 €	25	Phillips screw, half-round head, M6 x 16	<a href="#">990109</a>	0,34 €
25	Opener handle inner RH '67-> (250FN,280)	<a href="#">276012</a>	289,99 €	26	Insert opener handle, round style	<a href="#">276855</a>	11,72 €
27	A1087660390 Insert, late FN, Lt.	<a href="#">276009</a>	19,99 €	27	Late right Insert   black   250-280SL	<a href="#">276010</a>	19,99 €
28	Escutcheon, opener handle RH ->'67 optical error on the inside	<a href="#">276060</a>	129,70 €	28	Escutcheon, fits opener handle LH ->'67	<a href="#">276050</a>	129,70 €
29	Opener chrome surr. from 67, orig	<a href="#">276007</a>	27,97 €	29	countersunk head srew M4X8, zinc plated	<a href="#">276098</a>	0,12 €
36	clips for door actuator link wires	<a href="#">198004</a>	27,04 €	37	Rubber rod guide 190SL, R113, 111Cpe/Cab	<a href="#">298705</a>	5,95 €
37	Rubber rod guide 190SL, R113, 111Cpe/Cab	<a href="#">298005</a>	5,55 €	38	Door lock escutcheon plate	<a href="#">176066</a>	78,53 €
38	countersunk head screw M3X8 stainless steel, door lock	<a href="#">276099</a>	0,41 €	39	Chrome cover @ lock-lever	<a href="#">172868</a>	15,10 €
39	Cover tab chromed for 176066	<a href="#">172168</a>	9,98 €	40	Recess, 280SL, 250SL 02980->	<a href="#">276013</a>	162,48 €
41	Spring washer M4, e.g. trim fixing	<a href="#">799918</a>	0,12 €	41	Locking handle assy. inner door ->'67 R	<a href="#">172194</a>	109,78 €
41	Locking handle assy, inner door ->'67 L	<a href="#">172193</a>	109,78 €	46	Rubber handle-tail, 113:LH / 111:RH	<a href="#">276810</a>	5,68 €
46	Rubber handle-tail, 113:RH / 111:LH	<a href="#">276820</a>	5,68 €	47	Rubber handle-frt, 113:LH / 111:RH	<a href="#">276830</a>	4,97 €
47	Rubber handle-frt, 113:RH / 111:LH	<a href="#">276840</a>	4,97 €	54	collar RH, upper part of door cover structure	<a href="#">272138</a>	155,00 €
54	collar LH, upper part of door cover structure	<a href="#">272137</a>	155,00 €	55	Stiffening, Rt. up to year '67	<a href="#">272128</a>	57,77 €
55	Stiffening, Lt. ->'67	<a href="#">272127</a>	60,99 €	56	Door cover stiffening, 67->	<a href="#">272832</a>	43,77 €
56	Door cover stiffening, Rt. 67->	<a href="#">272132</a>	49,09 €	60	Moulding, front door, Lt.	<a href="#">272069</a>	134,83 €
60	Moulding, front door, Rt.	<a href="#">272068</a>	134,83 €	62	Set box+handle door conv. EUR LH	<a href="#">272135</a>	293,56 €
62	Set box+handle door conv. Eur RH	<a href="#">272136</a>	293,56 €	65	1m brush profile? Window Scraper Seal - 1157250965	<a href="#">872500</a>	21,19 €
66	Clip, brush inner (113: 10x req)	<a href="#">272951</a>	1,90 €	67	clip, brush, outer (10x req)	<a href="#">272952</a>	1,88 €
70	Dec. strip, inner upper Rt.	<a href="#">272006</a>	96,58 €	70	Dec. strip, inner upper Lt.	<a href="#">272005</a>	96,58 €
71	clip trim/dec. strip	<a href="#">272013</a>	0,45 €	75	Screw, R/C107, R113	<a href="#">272724</a>	0,51 €
75	panelling screw, phillips, chromed	<a href="#">268133</a>	1,32 €	80	complete screw set, chrome plated	<a href="#">299233</a>	399,90 €
80	Countersunk screw M4 x 8 chrome eg lock esc	<a href="#">299042</a>	0,71 €	80	1 pair door catch garnish 113,111Cab/Cp,C107 early	<a href="#">272815</a>	109,00 €
80	Screw, door catch surround M4 x 10	<a href="#">777029</a>	1,90 €	89	Ctr sunk screw @ 272033/044/300/400	<a href="#">272034</a>	1,44 €
90	raised countersunk head tapping screw chrome plated 2,9X9,5	<a href="#">272727</a>	1,05 €	90	A1137280321 Chromed cover, front Lt.	<a href="#">272030</a>	125,50 €
90	A1137280421 Chromed cover, front Rt.	<a href="#">272040</a>	125,50 €	91	Chromed cover, door rear, left	<a href="#">272300</a>	294,17 €
91	Chromed cover, door rear, right	<a href="#">272400</a>	294,17 €	100	Chrome trim Strip, door Lt./Rt.	<a href="#">272230</a>	348,35 €
101	Clip, door strip, outer	<a href="#">272011</a>	2,80 €	110	Dec. strip, R113 @ door, Rt., chromed brass	<a href="#">272260</a>	310,00 €
110	Dec. strip, R113 @ door, Lt, chromed brass	<a href="#">272250</a>	310,00 €	111	1m Rubber profile @ heavy trims	<a href="#">272266</a>	8,33 €
115	Clip, dec. strip, plastic	<a href="#">269161</a>	1,55 €	116	Lock washer, alu. dec. strip	<a href="#">272283</a>	0,71 €
117	Plug, for dec. Strip	<a href="#">272281</a>	0,86 €	119	Screw for chrome strips	<a href="#">269164</a>	0,13 €
120	Handle, e.g. Hardtop	<a href="#">281004</a>	233,00 €	125	Outer rep. panel door LH, Alu	<a href="#">272709</a>	495,04 €
125	Outer rep panel, door RH, Alu	<a href="#">272710</a>	495,04 €	126	Insulation, adhesive, at door skin inside, SL113	<a href="#">272168</a>	43,34 €
126	Dämmung selbstklebend 2mm x 1,6qm	<a href="#">968171</a>	119,99 €	129	Bolt, lock linkage, doors from 1967	<a href="#">298006</a>	18,94 €

## 72.c Door Window

72.c Door Window



3 Generationen ! Knopfänderung 1967, Verbindung Kurbel auf Welle wurde Januar 1970 geändert. Montage von Teilen verschiedener Generationen ggf. nicht möglich.

3 Generations ! Knob design changed 1967, connection lever-to-shaft changed Jan.. 1970. No fitment of mixed up parts

2 kl	Door glass LH clear, w/o guide jaws	<a href="#">272703</a>	284,99 €	2 kl	Door glass RH clear, w/o guide jaws	<a href="#">272704</a>	284,99 €
2 gn	Door glass 113 LH, green, no brackets	<a href="#">269703</a>	290,00 €	2 gn	Door glass 113 RH, green, no brackets	<a href="#">269704</a>	290,00 €
3	guide jaw front left glass end,w/o attachmt	<a href="#">272824</a>	29,18 €	3	Guide jaw windw. frt RT	<a href="#">272825</a>	29,18 €
4	guide jaw RH glass rear, w/o attachment	<a href="#">272823</a>	21,50 €	4	guide jaw left glass rear,w/o attachments	<a href="#">272822</a>	21,50 €
5	Guide jaw, Rt., guide rail	<a href="#">272010</a>	142,80 €	5	Guide jaw, left, guide rail	<a href="#">272009</a>	142,80 €
10	Slide, Rt., front, window	<a href="#">270628</a>	5,36 €	10	Lower left front Retainer Insert	<a href="#">270629</a>	5,36 €
11	A1137250834 Slide, Rt., rear, window	<a href="#">270624</a>	5,36 €	11	A1137250734 Slide, Lt., rear, window	<a href="#">270625</a>	5,36 €
12	Slide, Rt., front, rail	<a href="#">270626</a>	5,36 €	12	Slide,front left, rail	<a href="#">270627</a>	5,36 €
13	Rubber washer,adjusted slide rail inser	<a href="#">270723</a>	0,99 €	14	Grub screw	<a href="#">270722</a>	6,66 €
14	Grub screw, locking is missing	<a href="#">270822</a>	0,96 €	18	Guide rail, rear, right	<a href="#">272720</a>	59,50 €
24	Set rubbers, glasses into lower rails	<a href="#">272775</a>	67,70 €	25	1m hose 1/4" x 1,5 e.g glass mount	<a href="#">272875</a>	1,82 €
25	Rubber sleeve for door glass	<a href="#">272075</a>	2,30 €	30	Spring, window lifter	<a href="#">272115</a>	42,52 €
34	Chr. escutcheon,->'67, "B"-quality	<a href="#">276006</a>	69,02 €	35	Washer Kit for Mounting Window Regulator - 1237200114	<a href="#">272752</a>	10,88 €
37	Window crank handle 63-70 replacemt	<a href="#">276901</a>	49,50 €	37	Handle w.knob, ca. 1970-1976	<a href="#">276004</a>	41,50 €
37	Handle MB,W123-design, usable '70-'82	<a href="#">776001</a>	6,99 €	37	Window crank 1967 - 02.1970	<a href="#">276003</a>	49,50 €
37	Window crank handle 63-70 replacemt	<a href="#">276001</a>	133,64 €	38	Crank Pad 06.63->01.70 black	<a href="#">276090</a>	14,99 €
41	Stopper brackets, doorglass, 1 pair	<a href="#">272747</a>	60,79 €	42	Hex Nut M6 flat shaped	<a href="#">299291</a>	0,37 €

## 72.d Info window crank handle

72.d Info window crank handle



230SL,  
250SL -> 002979  
(64->07.67)



250SL 002980->,  
280SL ->015518  
(07.67->01.70)



280SL 015519->,  
R/C107...  
(01.70->05.76)



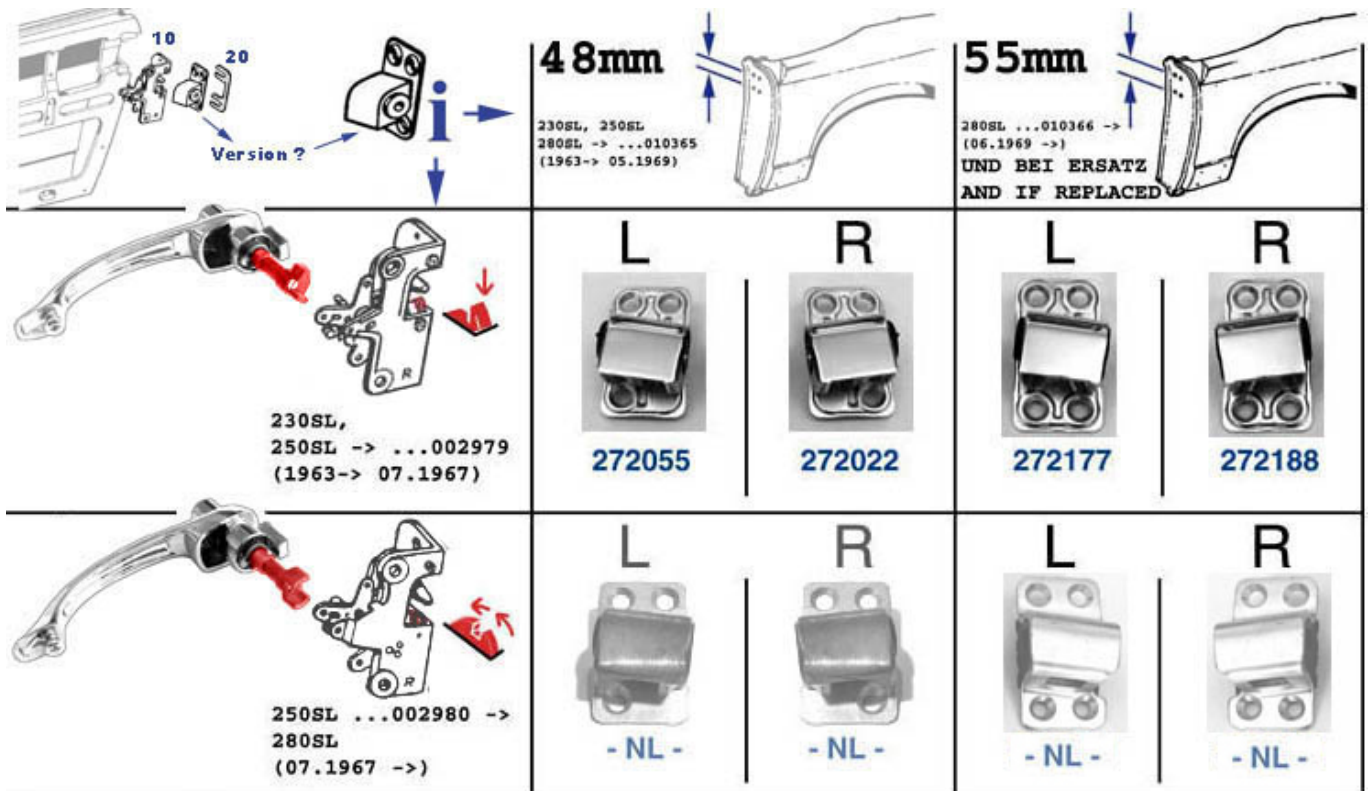
05.76->08.82



	Handle w.knob, ca. 1970-1976	<a href="#">276004</a>	41,50 €	276001	Window crank handle 63-70 replacem	<a href="#">276001</a>	133,64 €
276001	Window crank handle 63-70 replacem	<a href="#">276901</a>	49,50 €	276003	Window crank 1967 - 02.1970	<a href="#">276003</a>	49,50 €

## 72.b Info Door Catch

72.b Info Door Catch



"m.Sp." = Schlossmechanismus mit SPERRE GEGEN SELBSTAUSSCHLIEßEN  
bedeutet: die FAHRERSEITIGE Tür lässt sich nicht im verriegelten Zustand zuschlagen



"m.Sp." = Locking mechanism avoids locking out yourself  
means: impossible to slam the locked (drivers side) door

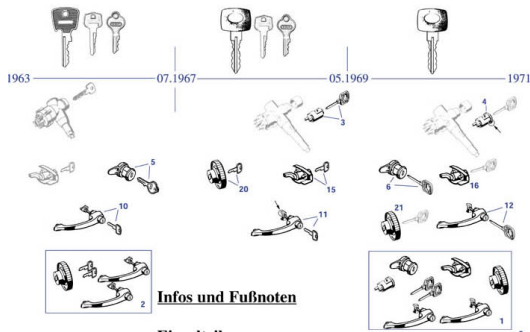
Die Liefersituation von Neuteilen ist leider veränderlich, bitte aktuell erfragen. Bei der Suche nach  
Gebrauchteilen kann auf ggf. andere Mercedes-Typen ähnlichen Baudatums ausgewichen werden,  
auch Limousinen. Bei Unsicherheiten beraten wir Sie gern.

The availability of new lock mechanism parts is fluctuating. When required you may luckily find  
used parts from MB-vehicles of similar production date. Don't hesitate to require advisory service.

	Locking cylinders set, up to 05.1969	<a href="#">289808</a>	899,99 €	10	late lock mechanism RH, no prot-lock	<a href="#">272062</a>	457,70 €
10	Door lock,late FN+ catch, RH	<a href="#">272049</a>	236,56 €	10	late lock mechanism LH, w. prot-lock	<a href="#">272063</a>	572,25 €
18	lock mechanism LH, w. prot-lock	<a href="#">272050</a>	478,39 €	18	lock mechanism RH, no prot-lock	<a href="#">272051</a>	432,21 €
20	Distancer, milled, ca. 1,35mm	<a href="#">172074</a>	35,05 €	20	Distancer, 1,5mm, door catch '69->..	<a href="#">572012</a>	4,76 €
20	distancer 0,5mm flat , door catch '69->	<a href="#">872012</a>	4,76 €	272020	Door catch RH, ca. 06.'69 to 08.'85	<a href="#">272620</a>	107,10 €
272021	Door catch LH, ca. 06.'69 to 08.'85	<a href="#">272621</a>	107,10 €	272022	Door catch RT. 07.61->'67 3-hole	<a href="#">272022</a>	91,25 €

## 89 Locking System

89 Locking System



### Infos und Fußnoten

#### Einzelteile

Wie abgebildet sind Zylinder und Zylindereinzeltteile der Tür- bzw. Kofferraumschlösser nicht separat erhältlich.

Bis FN (7) Einzelteile meist mit zufälliger Schließung und neuem Schlüssel („Werkstattausführung“)

Auf Wunsch können Teile passend zur fahrzeugspezifischen Schließung bestellt und angefertigt werden.

Bitte senden Sie uns dazu

- Fahrgestellnummer
- Eigentümernachweis über das Fahrzeug
- Ihren Auftrag an uns schriftlich
- Schließnummer
- Datenkarte und/oder Schloss-Hersteller (HUF oder YMOS)

Mit mehrwöchiger Lieferzeit muss gerechnet werden, insbesondere wenn die Schließnummer ermittelt werden muss.

Ein Schlüssel zählt nicht automatisch zum Lieferumfang der Schlösser.

Ab FN (8) - Einsatz, Hauptschließung: nicht alle Einzelteile in Werkstattausführung lieferbar. Die o.g. Angaben sind dann generell erforderlich.

3	Lenkschloss-Zylinder mitte (4,11), zufällige Schließung .....	246054
4	Lenkschloss-Zylinder spät (12), für Fzg.-Schließung .....	246074
5	Handschuhkastenschloss 230-250SL, 280SL früh (7) .....	268055
6	Handschuhkastenschloss 280SL spät (8) .....	868055
10	Türgriff früh (3) links, zufällige Schließung .....	276100
	Türgriff früh (3) rechts, zufällige Schließung .....	276200
11	Türgriff mitte (4,7) links, zufällige Schließung .....	276102
	Türgriff mitte (4,7) rechts, zufällige Schließung .....	276202
12	Türgriff 280SL spät (8) links, zufällige Schließung .....	276104
	Türgriff 280SL spät (8) rechts, zufällige Schließung .....	276204
15	Heckschloss mitte (2,7), zufällige Schließung .....	275030
16	Heckschloss 280SL spät (8), für Fzg.-Schließung .....	275032
20	Chrom Tankdeckel früh (7), zufällige Schließung .....	147010
21	Chrom Tankdeckel 280SL spät (8), für Fzg.-Schließung .....	147009

#### Schließsätze zufällige Schließung („Werkstattausführung“)

1	komplett Satz 280SL spät (12) mit Hauptschließung .....	289110
	Umrüstung ist ab 250SL (4) und 280SL möglich. Bis 280SL früh (12) passt der mitgelieferte Lenkschlosszylinder aber nicht zum Schlossgehäuse. <i>Tipp: Zyl.-Innentteile tauschen.</i>	
2	Satz Tür und Tankdeckel früh (3) nur „Pagen-Bereich“ .....	289100

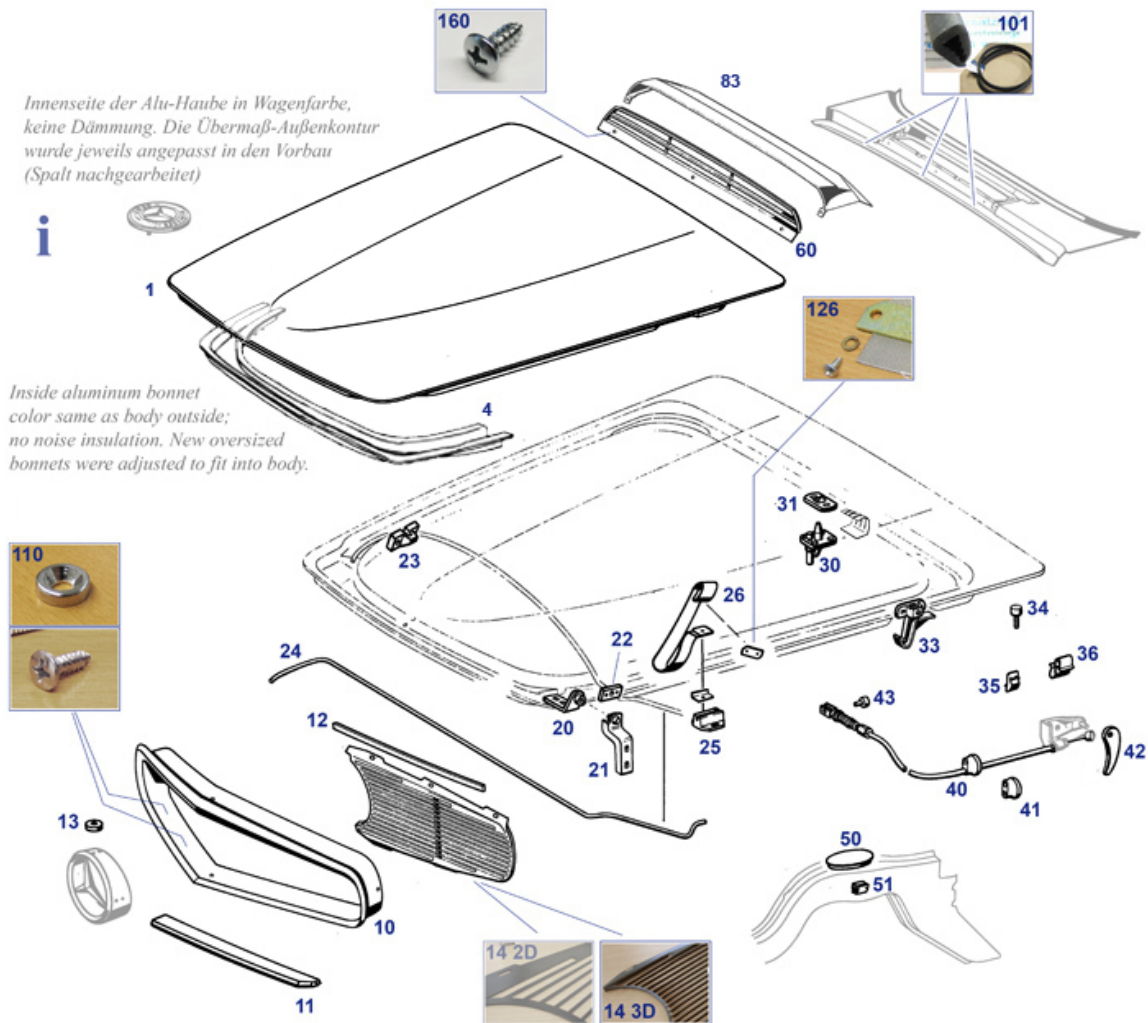
#### SLS Fußnoten bezogen auf standard-LHD-Fahrzeuge mit orig. Ausstattung, Ausnahmen bei Export (USA)

- (1): 230SL früh: Heckschlossgehäuse große Ausführung;  
 Achtung: aktuelles Ersatzteil „Heckbeplankung“ hat kleine Bohrung.  
 (2): 230SL ab FG ...? neu: Heckdeckelschlossgehäuse verkleinert.  
 (3): 230SL, 250SL bis FG ...002979 / bis Juli 1967  
 (4): 250SL ab FG ...002980 / ab Juli 1967  
 (7): 280SL bis FG ...010355 / bis Mai 1969  
 (8): 280SL ab FG ...010356 / ab Mai 1969  
 (11): 280SL bis FG ...012689  
 (12): 280SL ab FG ...012690



## 75, 88 Trunk, Softtop-Box, Bonnets/Lids

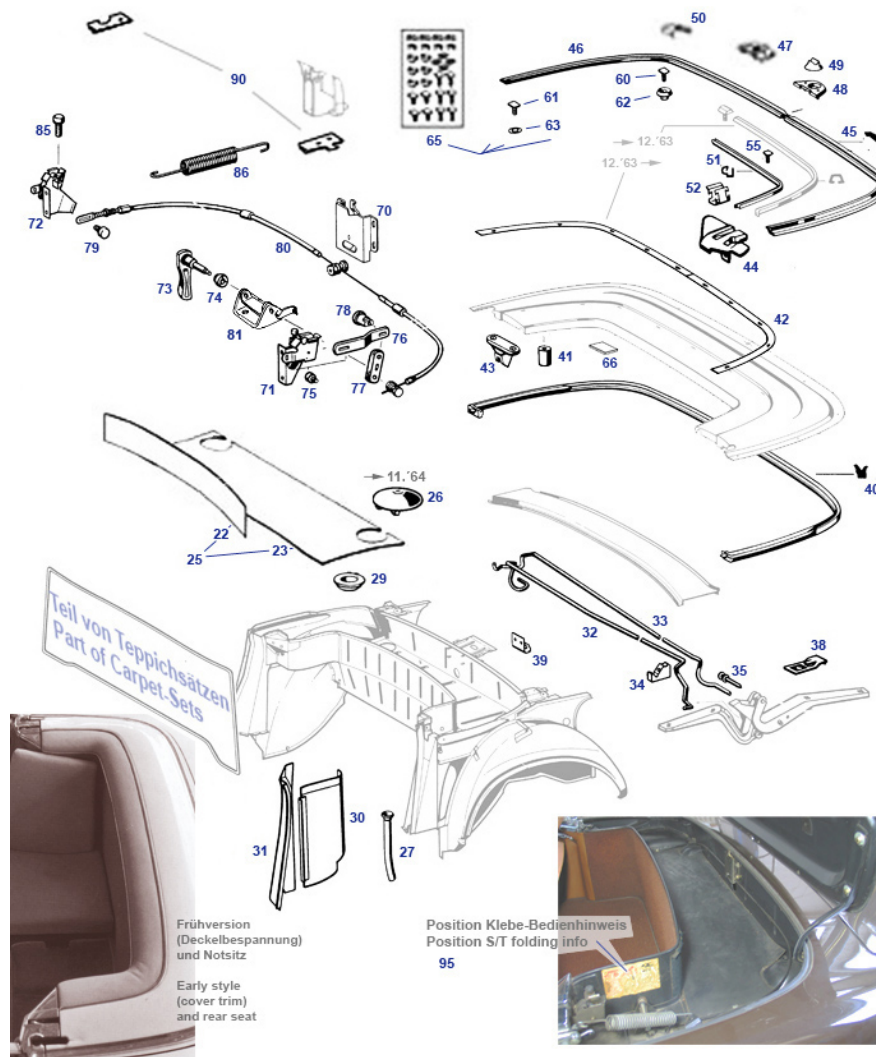
### 88 Engine Bonnet and Grille Garnish



	Grille frame, Repro	<a href="#">288711</a>	702,10 €	star	Hex Nut, M4	<a href="#">799919</a>	0,20 €
star	Spring washer M4 yellow zincd	<a href="#">299283</a>	0,08 €	star	Washer 4,3 yellow zincd	<a href="#">299282</a>	0,08 €
1	Alu-bonnet, Repro. As genuine: needs outline creation	<a href="#">288900</a>	4.843,97 €	4	Rep.-Section bonnet frame frt, Alu	<a href="#">288801</a>	449,97 €
10	Hex nut M5, zincd	<a href="#">299919</a>	0,18 €	10	chromed nose frame REPRO	<a href="#">288111</a>	619,86 €
11	Washer,waved shape,M5, zincd	<a href="#">142904</a>	0,25 €	11	Dec. Strip, grille, Lt. Repro	<a href="#">288033</a>	239,99 €
11	Bolt M5/hex8, frt grille mouldings	<a href="#">288049</a>	0,32 €	11	Pair dec. chrome rails in front grille, repro	<a href="#">288834</a>	279,65 €
11	Dec. Strip, grille, Rt., Repro	<a href="#">288044</a>	239,99 €	12	Pad, rear compt.fr.wall	<a href="#">268194</a>	13,45 €
13	Shim, canister to surround	<a href="#">188072</a>	11,63 €	13	Bolt M5x10,i.e. Star->Frame, industrial chrome finish	<a href="#">288048</a>	1,45 €
13	Washer, Star/frame	<a href="#">288047</a>	0,55 €	14_3D	Radiator mesh, similar 1138800485, RH	<a href="#">288066</a>	243,49 €
14_3D	Radiator mesh, similar 1138800385, LH	<a href="#">288055</a>	243,49 €	14_3D	Washer, e.g. screws @ mesh	<a href="#">299045</a>	0,21 €
14_3D	Metal screw 4,2x13 SW7   N007976004203	<a href="#">299044</a>	0,44 €	14_3D	1 Pair grille mesh, steel	<a href="#">288755</a>	194,21 €
20	Support,hood,inner, Rt.	<a href="#">288040</a>	29,39 €	20	Support,hood,inner, left	<a href="#">288030</a>	28,64 €
21	Screw M6 e.g. Bonnet hinges	<a href="#">299289</a>	0,38 €	21	Support, hood, outer, Rt.	<a href="#">288020</a>	28,64 €
21	Support, hood, outer, Lt.	<a href="#">288010</a>	28,64 €	22	Screw M5 e.g. Bonnet spring brackets	<a href="#">299287</a>	0,50 €
22	Plate, hood support rod, left	<a href="#">288805</a>	13,65 €	23	Plate, hood spring rt	<a href="#">288706</a>	14,99 €
23	Plate, hood spring rt	<a href="#">288806</a>	12,45 €	24	Torsion bar, hood	<a href="#">288725</a>	105,90 €
24	Rubber sleeve	<a href="#">243859</a>	2,38 €	25	Bracket, black rubber reproduction	<a href="#">288707</a>	15,67 €
25	Bracket, hood support rod	<a href="#">288807</a>	16,60 €	30	Screw, countersunk, M6 e.g.	<a href="#">299285</a>	0,44 €

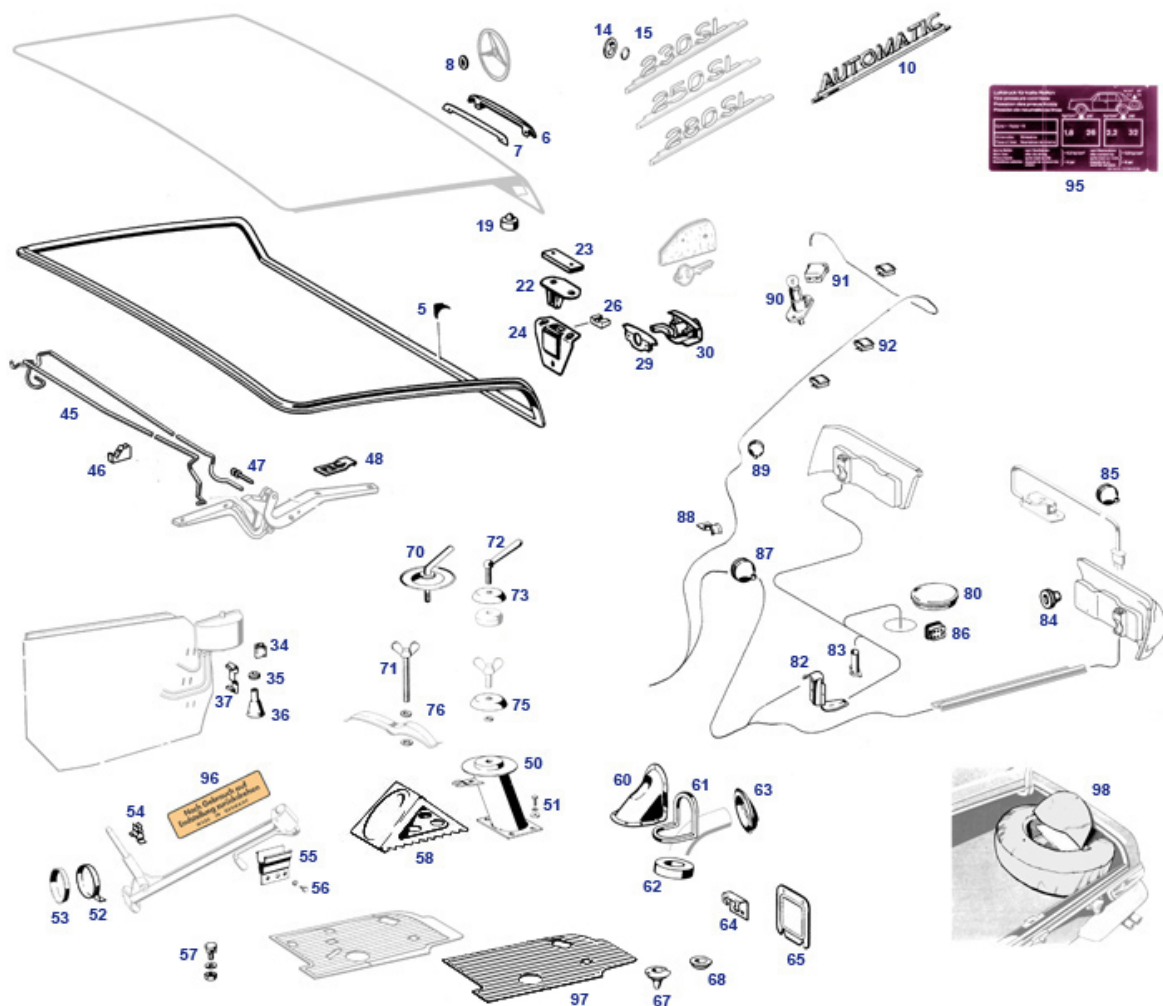
30	Hood catch, lower, short neck / Alu	<a href="#">288002</a>	408,88 €	30	bonnet lock		
30	Bonnet catch, short neck, steel	<a href="#">588012</a>	399,92 €	31	Bonnet catch, long neck	<a href="#">388002</a>	408,88 €
31	washer M6, yellow zined	<a href="#">299125</a>	0,21 €	31	Spring washer A6 zinc plated	<a href="#">299127</a>	0,21 €
31	Hood catch, upper	<a href="#">288001</a>	23,40 €	31	Screw M6x18 e.g. Filter box 190SL,bonnets, ..	<a href="#">109024</a>	0,38 €
33	Spring washer M5	<a href="#">299325</a>	0,11 €	33	Screw M5 e.g. safety hook @ bonnet	<a href="#">299286</a>	0,26 €
34	Hex Nut M6 flat shaped	<a href="#">299291</a>	0,37 €	33	Safety hook, hood catch	<a href="#">288831</a>	39,87 €
35	See new article number 254874   A0009883378, Clip	<a href="#">254074</a>	1,49 €	35	Clip, see picture, Pls follow recommendation 254874	<a href="#">254774</a>	0,60 €
40	Hood Release Cable (LHD)   A1138800759	<a href="#">288004</a>	33,50 €	35	clip, e.g. wire fixture 190SL, R113, R/C107	<a href="#">254874</a>	1,50 €
42	handle, opener, bonnet	<a href="#">288015</a>	17,79 €	41	Rubber grommet 3 way, bonnet cable	<a href="#">298778</a>	3,55 €
51	Clip,cover	<a href="#">268009</a>	1,57 €	50	Cover, front subframe mount	<a href="#">268010</a>	11,90 €
83	hood above air duct grille, Repro doesn't meet genuine Quality	<a href="#">283820</a>	175,77 €	60	Chrome Air intake ornamental mesh, Repr	<a href="#">283720</a>	731,22 €
83	Screw, R/C107, R113	<a href="#">272724</a>	0,51 €	83	Panel screw, lens head 3,5x13 vent hood	<a href="#">283031</a>	0,18 €
101	protection rubber, 1 Meter, div purpose	<a href="#">398012</a>	13,01 €	83	Screw	<a href="#">799931</a>	0,24 €
110	Screw @ front grille	<a href="#">188071</a>	1,54 €	110	Screw @ front grille, hi gloss chromed	<a href="#">188171</a>	1,61 €
126	bonnet strap mounting plates, 1 pair	<a href="#">288824</a>	11,50 €	110	Washer, chrome, high shape, fits up to 4mm screws	<a href="#">288013</a>	2,99 €
				160	Screw, grille/bodywork	<a href="#">283021</a>	1,90 €

## 75.c Softtop Box



	Spring washer M6	<a href="#">142158</a>	0,15 €		Spring clip nut, 4,2, e.g. wing 107,..	<a href="#">299028</a>	0,33 €
	Countersunk screw, lock frame, zinc plated	<a href="#">275265</a>	0,39 €		Clip nut, trunk hood	<a href="#">175015</a>	19,75 €
22	Pad, rear compt.fr.wall	<a href="#">268194</a>	13,45 €	23	Insulation lower box cover	<a href="#">268193</a>	80,63 €
25	2 pcs. sofftop box damping, simple quality	<a href="#">268893</a>	58,55 €	27	Run-off / drip hose, S/T compartment	<a href="#">279032</a>	11,25 €
29	Rubber plug 32mm	<a href="#">398780</a>	1,44 €	30	Screw 4.2 e.g. at 298043	<a href="#">299278</a>	0,38 €
30	Cover plate , rear, left	<a href="#">269170</a>	174,99 €	30	Cover plate , rear, Rt.	<a href="#">269180</a>	174,99 €
31	Escutcheon fitting panelling screws diam 3,9	<a href="#">267014</a>	0,89 €	31	Raw blank inner cover B-pillar LH	<a href="#">269165</a>	155,00 €
31	Raw blank inner cover B-pillar RH	<a href="#">269166</a>	155,00 €	31	Screw (sill to wheel arch)	<a href="#">288133</a>	0,50 €
32	1 pair torsion springs, both rear lids	<a href="#">277829</a>	189,00 €	34	Support, torsion bars	<a href="#">277239</a>	15,95 €
35	Bolt	<a href="#">277241</a>	44,55 €	38	washer, 6,4 e.g. boot hinge	<a href="#">175005</a>	0,36 €
39	Haltewinkel bei Verdeckkasteneinbau	<a href="#">264751</a>	34,51 €	40	Seal, box cover, non genuine	<a href="#">275860</a>	99,95 €
40	Seal, 230-280SL @ soft top lid OEM Quality	<a href="#">275060</a>	178,50 €	40	Seal, 4-Seat-113, body underneath	<a href="#">275864</a>	898,99 €
41	Rubber buffer, hood shelf, R113	<a href="#">298043</a>	4,88 €	42	Hidden rail in upholstery '64->, bulky	<a href="#">277235</a>	145,04 €
43	Washer 6.4 large, yellow zinced	<a href="#">299276</a>	0,18 €	43	Locking spring washer	<a href="#">299277</a>	0,21 €
43	lock upper part, ref.No. A1137500585	<a href="#">277223</a>	116,00 €	43	Screw, Phillips M6, e.g. locks upper	<a href="#">299275</a>	0,44 €
44	Chrome cap B-pillar left 230SL up to 02.1966	<a href="#">269829</a>	243,95 €	44	Chrome cap B-pillar RH 230SL up to 02.1966	<a href="#">269839</a>	243,95 €
44	Screw, stainless, fits 269230/240	<a href="#">269842</a>	1,19 €	44	Flat headed screw M4x7 chrome	<a href="#">269243</a>	0,19 €
44	Chrome cap B-pillar left, from 03.'66	<a href="#">269830</a>	285,66 €	44	Chrome Cap B-pillar RT from 03.'66	<a href="#">269840</a>	285,66 €
44	square nut, b-pillar cap	<a href="#">269241</a>	10,77 €	45	Chrome strip, inner, Lt.	<a href="#">275300</a>	504,39 €
46	Chrome strip, inner, Rt.	<a href="#">275400</a>	504,39 €	47	Chrome escutcheon 230SL ->008115	<a href="#">275844</a>	69,02 €
47	Chrome escutcheon 230SL ->008115	<a href="#">275044</a>	83,90 €	48	Escutcheon, chrome, rear, m	<a href="#">275845</a>	69,02 €
48	Nut	<a href="#">299035</a>	0,17 €	48	Washer for 299034	<a href="#">299038</a>	0,12 €
48	Rubber washer, rear compt.	<a href="#">299036</a>	0,26 €	48	Escutcheon, chrome, rear, m	<a href="#">275045</a>	74,55 €
49	Seal, escutcheon rear S/T lock pin	<a href="#">279035</a>	8,69 €	50	Chrome cover for trim strip	<a href="#">275350</a>	95,90 €
51	Chrome strip, inner, Rt.	<a href="#">277400</a>	277,98 €	51	A1137580181 Chrome strip, inner, Lt.	<a href="#">277300</a>	277,98 €
52	Clip, hood boot cover strips (front trim)	<a href="#">298678</a>	1,01 €	52	Clip, st-box-chrome strips	<a href="#">298178</a>	2,44 €
60	Screw, square head, similar 1139900033	<a href="#">299034</a>	4,02 €	61	Screw, square head, dec. strip	<a href="#">299033</a>	5,14 €
70	Hex nut M6, yellow zinc.	<a href="#">181023</a>	0,18 €	70	Washer 6,5 x 13	<a href="#">799915</a>	0,17 €
70	Locking washer M6	<a href="#">299273</a>	0,21 €	70	Pin	<a href="#">277238</a>	7,08 €
70	Lock, lower part, ctre sofftop rr catch	<a href="#">277228</a>	249,50 €	70	Spring, rear sofftop lock	<a href="#">277234</a>	21,85 €
71	Hex Bolt M6 x 10 yellow zinced	<a href="#">299997</a>	0,35 €	73	Chrome handle, top + ST-boot opening	<a href="#">277224</a>	214,90 €
74	Spacer washer,chrome lever	<a href="#">277237</a>	23,00 €	76	Schubstange am Deckelzug	<a href="#">277226</a>	78,78 €
77	Lever, control rod	<a href="#">277230</a>	33,65 €	78	Pin @ link, incl screw+shim	<a href="#">277236</a>	55,14 €
80	Clamp e.g. 6mm lines, wiring, ..	<a href="#">398047</a>	0,65 €	80	Screw 3,9	<a href="#">299279</a>	0,27 €
80	Seilzug f. Verdeckkastendeckel	<a href="#">277825</a>	89,99 €	80	Clamp 5mm e.g. brake lines	<a href="#">143038</a>	0,50 €
80	Cable, soft top hatch	<a href="#">277225</a>	149,99 €	81	Screw M6 e.g. Bonnet hinges	<a href="#">299289</a>	0,38 €
81	Support, lid opener wire linkage	<a href="#">277248</a>	248,71 €	85	Hex Nut M6 flat shaped	<a href="#">299291</a>	0,37 €
86	Compensating spring, left/right	<a href="#">272221</a>	22,81 €	90	Grip washer M8	<a href="#">299274</a>	0,29 €
90	Screw engine mount rear	<a href="#">222025</a>	0,80 €	95	Label set, 9 piece, self adh.	<a href="#">299950</a>	30,64 €

## 75.6 Boot Lid and Trunk Equipment



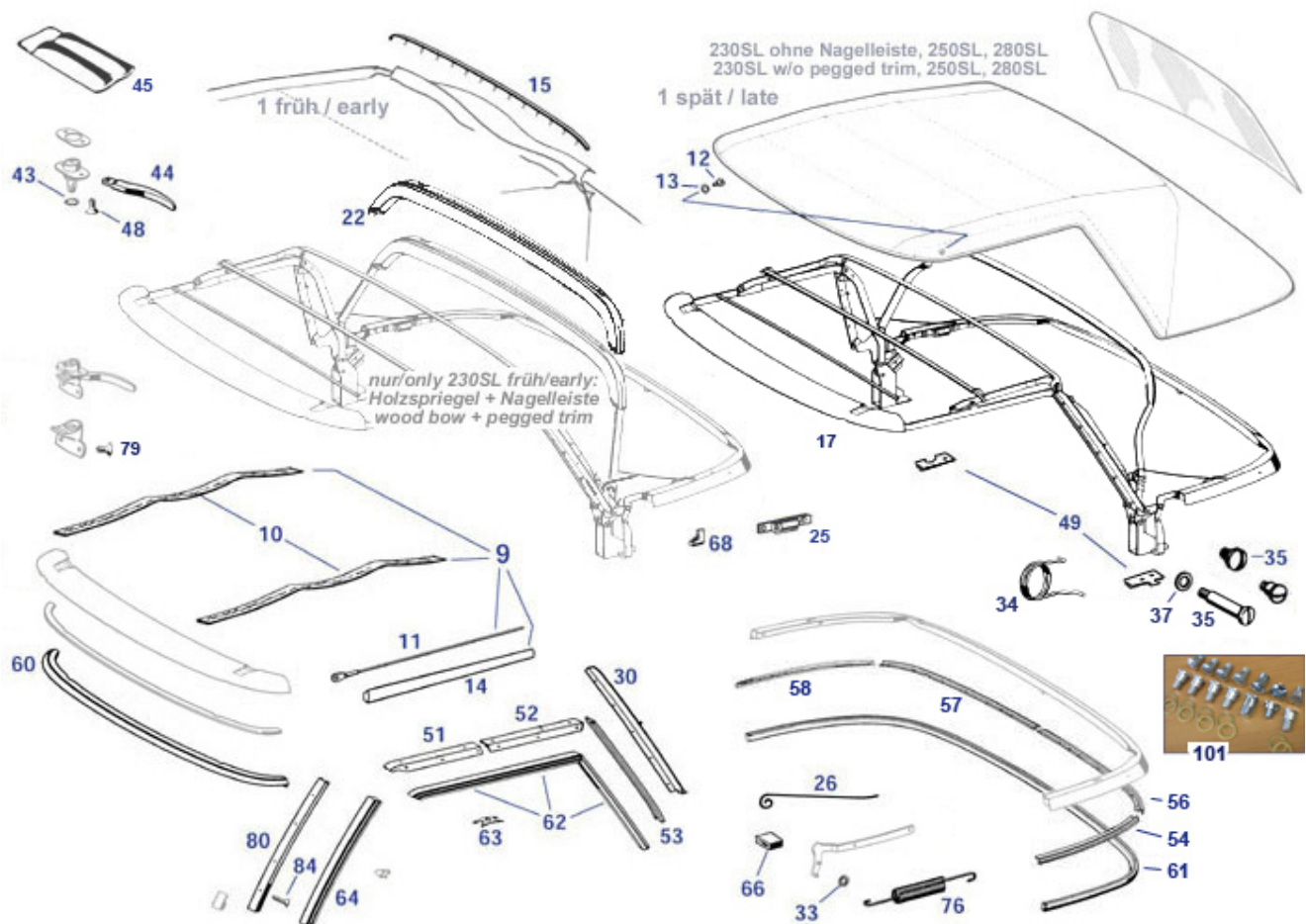
5	Seal, 230-280SL trunk lid	<a href="#">275005</a>	184,99 €	5	Trunk seal 230-280SL repro	<a href="#">275805</a>	65,45 €
6	Handle, chrome, trunk lid	<a href="#">275010</a>	160,00 €	6	Spring washer M5	<a href="#">299325</a>	0,11 €
6	Bolt M5x10,i.e. Star->Frame, industrial chrome finish	<a href="#">288048</a>	1,45 €	7	Rbr underlay,boot lid handle 113,111,10	<a href="#">275011</a>	7,82 €
8	Rubber washer	<a href="#">175012</a>	1,11 €	8	Washer 8,4mm, standard, yellow zined	<a href="#">299326</a>	0,11 €
8	galvanized M8 Nut   N004032008005	<a href="#">222026</a>	0,21 €	10	Type designation: Automatic	<a href="#">281025</a>	100,00 €
11	Type designation: 230SL	<a href="#">281020</a>	145,00 €	12	Type designation: 250SL	<a href="#">281021</a>	145,00 €
14	Clip, 230-280SL	<a href="#">281026</a>	1,18 €	14	Clip, 'Automatic'	<a href="#">281024</a>	0,20 €
15	O-Ring blk rubber, eg Type signs	<a href="#">281027</a>	0,13 €	19	Rubber buffer, trunk lid	<a href="#">298042</a>	1,87 €
19	Rubber buffer, trunk	<a href="#">298044</a>	1,01 €	22	Bolt M6 x 14, Phillips	<a href="#">977021</a>	0,36 €
22	Countersunk screw, lock frame, chrome plated	<a href="#">277265</a>	1,26 €	23	shim 1mm, catch underlay, height adjustment	<a href="#">375039</a>	8,01 €
24	Countersunk screw, lock frame, zinc plated	<a href="#">275265</a>	0,39 €	26	Buffer, trunk lid catch,fits casted bod	<a href="#">775138</a>	3,00 €
29	Collar nut M5 locking, e.g. trunk lock	<a href="#">299336</a>	0,46 €	29	Underlay rubber, trunk lock	<a href="#">275831</a>	11,06 €
30	Locking cyl. with 2 keys	<a href="#">275830</a>	189,21 €	34	Clip, cable	<a href="#">254073</a>	1,09 €
35	Grommet, 4,5/10mm, cable@wheelarch	<a href="#">182005</a>	2,53 €	36	Sleeve, tank ventilation	<a href="#">247079</a>	7,95 €
36	Grommet, tank vent pipe through carbody	<a href="#">147070</a>	6,52 €	37	Clamp, expansion tank 6mm/9mm	<a href="#">247069</a>	9,70 €
37	Clip,tank ventilating pipe	<a href="#">247055</a>	17,30 €	45	1 pair torsion springs, both rear lids	<a href="#">277829</a>	189,00 €
46	Washer, e.g. screws @ mesh	<a href="#">299045</a>	0,21 €	46	Hex nut M5, zined	<a href="#">299919</a>	0,18 €
47	Bolt	<a href="#">277241</a>	44,55 €	48	Screw M6 e.g. Bonnet hinges washer, 6,4 e.g. boot hinge	<a href="#">299289</a>	0,38 €
48	Clip nut, trunk hood	<a href="#">175015</a>	19,75 €	48	Washer 6.4 large, yellow zined	<a href="#">175005</a>	0,36 €
50	Spare wheel holder	<a href="#">240015</a>	463,60 €	51	Screw M6x18 e.g. Filter box	<a href="#">299276</a>	0,18 €
51	Spring washer, fits M6	<a href="#">181028</a>	0,18 €	51	Screw M6x18 e.g. Filter box	<a href="#">109024</a>	0,38 €

53	Rubber pan, jack storage support (foot)	<a href="#">259998</a>	18,21 €	54	190SL,bonnets, .. Lug wrench holder	<a href="#">164041</a>	15,33 €
55	Bracket, large, Jack @ Boot floor	<a href="#">264054</a>	126,34 €	56	panelling screw Hex8, e.g. bumper 12 firt / 26 rr	<a href="#">799938</a>	0,32 €
56	Panelling screw 5,5 x 16 (hex head 8mm)	<a href="#">288059</a>	0,60 €	57	Clamping Bolt M6 for square bodypanel holes	<a href="#">188036</a>	7,90 €
58	Wing nut M8, e.g. wheel shoe @ support	<a href="#">258111</a>	1,57 €	58	Safety wedge f.tyre service	<a href="#">258110</a>	286,20 €
60	Tapping screw Phillips 4,2x9,5	<a href="#">799936</a>	0,15 €	60	Cover plate, filler neck	<a href="#">269020</a>	31,77 €
61	16 m sealing compound strip 3mm black	<a href="#">699996</a>	10,59 €	61	Edge protection profile mtr, eg trunk	<a href="#">269010</a>	3,80 €
62	Foam sealing ring, filler neck->boot cover, rear panel, inner	<a href="#">269033</a>	43,61 €	64	Bracket, inner rear panel	<a href="#">264750</a>	35,69 €
68	Rbr plug 17,5mm	<a href="#">398995</a>	1,17 €	67	Grommet 4/20mm, 1 hole, drain	<a href="#">399009</a>	1,71 €
68	Rubber plug, 20mm	<a href="#">298780</a>	0,94 €	68	Plug, 32mm, e.g. boot, ..Repro	<a href="#">268309</a>	1,81 €
71	Wing screw 230SL FN	<a href="#">240006</a>	42,53 €	70	A1158900014 Screwplate with offset lev	<a href="#">240014</a>	240,00 €
75	Plate, spare tyre screw	<a href="#">240019</a>	65,55 €	72	Cone handle screw, horiz.spare tyre	<a href="#">240018</a>	115,00 €
80	Cover above fuel sender, plastic,black	<a href="#">347014</a>	7,79 €	76	A3269900740 Washer, wing screw round cover above fuel sender,Repro	<a href="#">240009</a>	16,54 €
80	Cover above fuel sender, rubber version	<a href="#">147016</a>	14,02 €	80	Milled M5 nut, plastic w insert	<a href="#">247814</a>	5,20 €
85	Grommet 6/26	<a href="#">299819</a>	3,15 €	84	Rubber grommet	<a href="#">282855</a>	3,30 €
88	Clamp e.g. 6mm lines, wiring, ..	<a href="#">398047</a>	0,65 €	87	Screw	<a href="#">299005</a>	2,59 €
90	A0008210252 Door switch, version flat poles	<a href="#">182021</a>	28,98 €	88	Trunk(boot) light and switch '59-85	<a href="#">799931</a>	0,24 €
90	Bulb, e.g. trunk light	<a href="#">282033</a>	2,50 €	90	Spring clip for Rt.+Lt. cable	<a href="#">282022</a>	40,58 €
96	Label set, 9 piece, self adh.	<a href="#">299950</a>	30,64 €	92	Gummimatte Kofferraum früh /Rad stehend	<a href="#">254071</a>	0,83 €
97	Rubbermat trunk from VIN, B-quality,res	<a href="#">268700</a>	284,29 €	97	Rubber mat, boot, RT, black reproductio	<a href="#">268701</a>	387,35 €
98	Vinyl covering, spare tyre (horiz-lev)	<a href="#">289889</a>	221,99 €	97	Rubber mat, boot, RT, black reproductio	<a href="#">268400</a>	23,18 €
610	Right Trunk Cover   Paper Board+foam	<a href="#">268610</a>	88,88 €	98	Tool bag without tools	<a href="#">258806</a>	48,79 €
				610	Left Trunk Cover   Paper Board+foam	<a href="#">268611</a>	88,88 €

## 77, 79 Softtop & Hardtop

### 77.a, Softtop frame and equipment

77.a, Softtop frame and equipment

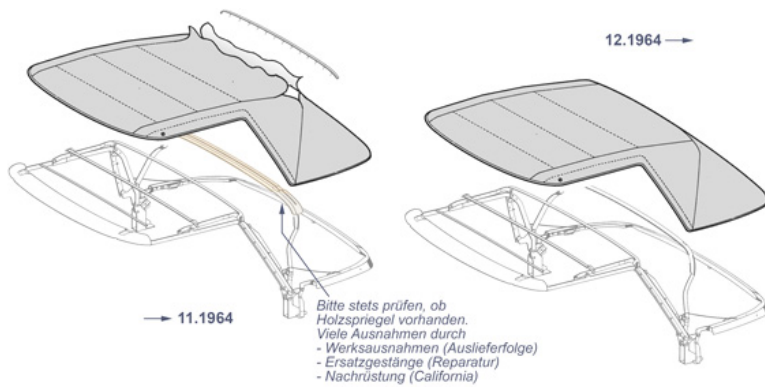


	Countersunk screw, lock frame, zinc plated	<a href="#">275265</a>	0,39 €		Seilzug f. Verdeckkastendeckel	<a href="#">277825</a>	89,99 €
	spacer for softtop frame for height balance,1pc.	<a href="#">277254</a>	19,50 €		spacer for softtop frame for height balance	<a href="#">277253</a>	22,14 €
10	Set strap belts f.softtop, black, R113	<a href="#">276701</a>	44,63 €	10	Set strap belts f.softtop, black, R113 & W107	<a href="#">276771</a>	41,65 €
10	Set strap belts f.softtop, beige, R113 & W107	<a href="#">276772</a>	71,39 €	11	1 pair wires, S/T above side-window	<a href="#">777090</a>	24,00 €
11	1 pair wires, S/T above side-window, like original	<a href="#">777890</a>	35,69 €	12	Chrome screw M4, e.g. wire at canvas	<a href="#">277052</a>	1,79 €
13	escutcheon e.g. screw 277052, ..	<a href="#">277053</a>	3,02 €	14	damping strip at softtop cloth LH or RH fitting	<a href="#">277806</a>	31,74 €
14	damping strip f.softtop fabric, L or R fitting, OE-quality	<a href="#">277106</a>	36,10 €	15	ledge soft top chrome trim, 230SL early frames	<a href="#">277800</a>	245,00 €
17	Softtop frame, Repro	<a href="#">277710</a>	5.950,00 €	22	Wood bow 230SL ->07640 + FN !!	<a href="#">277037</a>	322,00 €
25	Top catch, FN , Right	<a href="#">277022</a>	177,91 €	25	Top catch, FN ,left	<a href="#">277033</a>	177,91 €
26	Hold-off wire 230 SL	<a href="#">277811</a>	24,99 €	30	A1137700334 Softtop holding rail, Lt.	<a href="#">272023</a>	359,36 €
30	A1137700434 Softtop holding rail, Rt.	<a href="#">272024</a>	359,36 €	34	Coil spring S/T hinge RH	<a href="#">277834</a>	38,08 €
34	Coil spring S/T hinge LH	<a href="#">277833</a>	38,08 €	35	Bolt at softtop frame, 8x req. M8X1	<a href="#">298022</a>	7,32 €
35	Bolt, Softtop frame, see pict.	<a href="#">298026</a>	14,10 €	35	Bolt at softtop frame 2x req	<a href="#">298023</a>	7,97 €
35	Bolt at softtop frame 2x req	<a href="#">298025</a>	21,21 €	35	S/T Frame Bolt Ctr-sunk + cyl	<a href="#">298024</a>	7,46 €

35	Rep-Idea: Frame bolt M10 fine	<a href="#">298033</a>	8,22 €	37	Washer, hood frame hinge	<a href="#">277019</a>	3,53 €
40	Lock, soft top or hardtop LH	<a href="#">277010</a>	235,14 €	40	Lock, softtop or hardtop, RH	<a href="#">277020</a>	235,14 €
42	Underlay, distancer, roof lock	<a href="#">277815</a>	4,02 €	43	Buffer ring on lock	<a href="#">277018</a>	2,65 €
44	Chrome handle, gen.III (ca. 1969 - 08.'81)	<a href="#">277046</a>	164,99 €	44	Chrome handle, gen.II (67-69)	<a href="#">277045</a>	174,99 €
44	Chrome handle, Generation II (67-69)	<a href="#">277845</a>	91,99 €	45	leatherbag for chrome handle red	<a href="#">258803</a>	28,62 €
45	leatherbag for chrome handle cognac	<a href="#">258804</a>	28,62 €	45	leatherbag for chrome handle black	<a href="#">258802</a>	28,62 €
48	Countersunk screw, lock frame, chrome plated	<a href="#">277265</a>	1,26 €	48	M6 x16 bolt, counter sunk head DIN91, chromed	<a href="#">277267</a>	7,46 €
50	countersunk head tapping screw 3,5X13, sealing rail 230SL	<a href="#">272723</a>	0,13 €	51	Countersunk screw, rail/frame, M4x12	<a href="#">277027</a>	0,49 €
51	Chrome profile upper frt RH	<a href="#">272026</a>	458,19 €	51	Chrome profile upper frt LH	<a href="#">272025</a>	458,19 €
52	Chrome profile upper ctre LH	<a href="#">272027</a>	585,00 €	52	Chrome profile upper ctre RH	<a href="#">272028</a>	585,00 €
53	Chrome profile rear LH	<a href="#">272029</a>	519,99 €	53	Chrome profile rear RH	<a href="#">272032</a>	519,99 €
54	Screw 3,5 x 9,5, see picture	<a href="#">288081</a>	0,32 €	54	Seal holder profile, S/T LH- sideways	<a href="#">277723</a>	190,00 €
56	Seal holder profile, S/T LH-rear	<a href="#">277725</a>	205,99 €	57	Seal holder profile, S/T RH-rear	<a href="#">277726</a>	205,99 €
58	Seal holder profile, S/T RH- sideways	<a href="#">277724</a>	190,00 €	60	Seal, hard/soft top to body, front OEM Quality	<a href="#">279010</a>	63,83 €
61	countersunk washer fits e.g. screws 2,9	<a href="#">199021</a>	0,51 €	61	panelling screw, phillips, chromed	<a href="#">268133</a>	1,32 €
62	Seal, side window left ST / HT	<a href="#">272715</a>	21,97 €	62	Seal, side window Lt. ST / HT	<a href="#">272215</a>	41,65 €
62	Seal, side window Rt. ST / HT	<a href="#">272210</a>	41,65 €	62	Seal, side window Rt. ST / HT	<a href="#">272218</a>	21,97 €
63	Clip, rbr-profile to rails	<a href="#">272729</a>	2,56 €	64	Seal, A-pillar, left/right side, needs to be cutted!	<a href="#">272220</a>	25,88 €
64	Seal, A-pillar, L or R, needs t.b.cutte	<a href="#">272228</a>	13,47 €	66	Rubber buffer @ soft top, Lt.	<a href="#">272285</a>	38,85 €
66	Rubber buffer @ soft top, Rt.	<a href="#">272286</a>	38,85 €	68	Grommet, softtop frame	<a href="#">777096</a>	2,73 €
76	Compensating spring, left/right	<a href="#">272221</a>	22,81 €	79	M6 x12 bolt, counter sunk head DIN91, chromed	<a href="#">277266</a>	7,46 €
80	Weatherstrip seal holder, Lt.	<a href="#">272725</a>	382,61 €	80	Chrome rail, A-pillar, Rt.	<a href="#">272726</a>	382,61 €

## 77.b, Softtop/Verdeck Stoffbezug

77.b, Softtop/Verdeck Stoffbezug

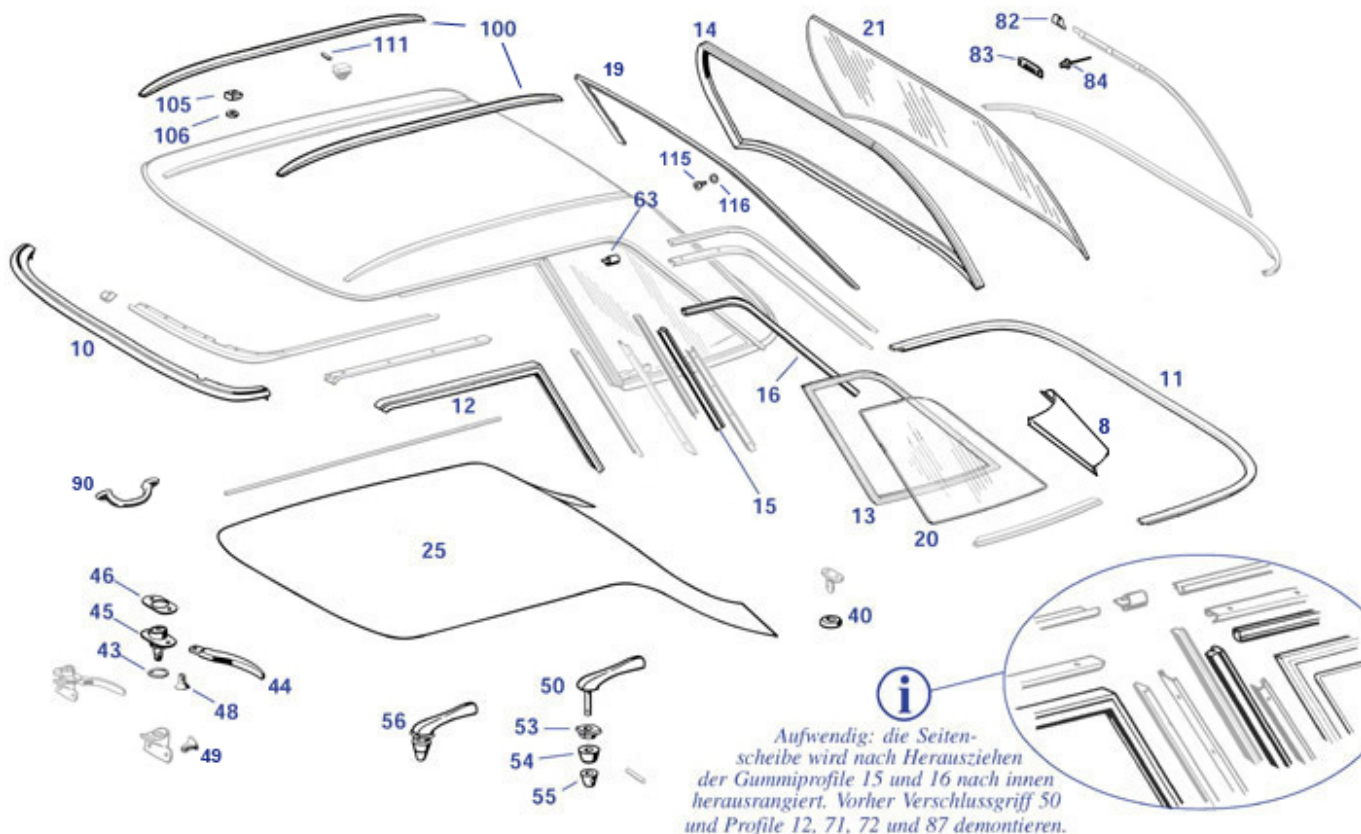


	Softtop hood W113 blue/blac/colour / premium	<a href="#">276582</a>	899,99 €		Set strap belts f.softtop, black, R113 & W107	<a href="#">276771</a>	41,65 €
	Set strap belts f.softtop, beige, R113 & W107	<a href="#">276772</a>	71,39 €	1	Soft-top R113 blk/beige/color	<a href="#">276302</a>	799,99 €
1	S/T fabric blk/beige/clear	<a href="#">277000</a>	844,90 €	1	Softtop hood W113 black/black premium	<a href="#">276501</a>	899,99 €
1	Soft-top R113 blk/blk/clear	<a href="#">276301</a>	799,99 €	1	Softtop hood W113 black/creme premium	<a href="#">276500</a>	1.050,00 €
1	Soft-top R113 blk/blk/color	<a href="#">276303</a>	749,70 €	1	Soft-top 230SL blk/blk/clear	<a href="#">276305</a>	773,50 €
1	Soft-top 230SL blk/beige/color	<a href="#">276306</a>	773,50 €	1	Soft-top 230SLearly blk/beige/clear	<a href="#">276308</a>	773,50 €
1	Soft-top 230SL blk/blk/color	<a href="#">276307</a>	773,50 €	2	Premium drk-blue/beige/clear, late	<a href="#">276520</a>	399,00 €
2	Soft-top R113 dk.blue/blk/clear	<a href="#">276321</a>	749,70 €	2	Economy drk-blue/beige/clear, late	<a href="#">276320</a>	749,70 €
2	Premium black/beige color, late	<a href="#">276502</a>	899,99 €	2	Soft-top 230SL dk.blue/blk/clear	<a href="#">276325</a>	773,49 €
2	Soft-top 230SL dk.blue/be/clear	<a href="#">276324</a>	773,49 €	2	Softtop R113 d.bl-blk. col	<a href="#">276323</a>	749,70 €
2	Softtop hood W113 blue/creme premium	<a href="#">276522</a>	899,99 €	3	Softtop hood W113 dark brown/creme premium	<a href="#">276530</a>	1.050,00 €
3	Softtop hood W113 brown/black premium	<a href="#">276531</a>	899,99 €	3	Soft-top R113 dk.brown/beige/clear	<a href="#">276980</a>	635,46 €
4	Verdeckbezug R113 hellbeige/beige/klar	<a href="#">276390</a>	749,70 €	4	Hellbeige/beige/klar spät Premium	<a href="#">276590</a>	999,99 €

## 79 Hardtop

79 Hardtop





	panelling screw, phillips, chromed	<a href="#">268133</a>	1,32 €		Rubber buffer 5mm,121,113,10	<a href="#">298066</a>	0,89 €
	Countersunk screw, lock frame, chrome plated	<a href="#">277265</a>	1,26 €		Self tapping screw, zinc plated	<a href="#">999981</a>	0,24 €
	M6 x16 bolt, counter sunk head DIN91, chromed	<a href="#">277267</a>	7,46 €		Countersunk screw, lock frame, zinc plated	<a href="#">275265</a>	0,39 €
8	Patch panel hardtop rr pillar LH	<a href="#">279130</a>	97,02 €	8	Patch panel Hardtop rear pillar LH	<a href="#">279140</a>	97,02 €
10	Seal, hard/soft top to body, front OEM Quality	<a href="#">279010</a>	63,83 €	11	Seal,hard top/body, rear	<a href="#">279100</a>	265,00 €
11	Seal, 4-Seat-113, body underneath hardtop	<a href="#">275864</a>	898,99 €	11	Rear lower Hardtop rubber, Repro	<a href="#">279800</a>	120,00 €
12	Seal, side window Rt. ST / HT	<a href="#">272210</a>	41,65 €	12	Seal, side window Lt. ST / HT	<a href="#">272215</a>	41,65 €
12	Seal, side window left ST / HT	<a href="#">272715</a>	21,97 €	12	Seal, side window Rt. ST / HT	<a href="#">272218</a>	21,97 €
13	Seal, H/T side window, referring 1136700139 = L	<a href="#">279050</a>	76,15 €	13	Seal, H/T side window, referring 1136700239 = R	<a href="#">279040</a>	76,15 €
14	Attention! Inaccurate fit	<a href="#">279830</a>	139,90 €	15	1m Seal, B-pillar, Lt./RH	<a href="#">279854</a>	22,63 €
16	1m Seal, hardtop triangular window L+R	<a href="#">279055</a>	6,95 €	19	Wood for hardtop, holes have to be adjusted	<a href="#">279031</a>	469,99 €
20	Triang.window,Lt.,green tone	<a href="#">269310</a>	149,99 €	20	Triangular window,Rt.,clear	<a href="#">269400</a>	107,85 €
20	Triangular window,Lt.,clear	<a href="#">269300</a>	107,85 €	20	Triang.window,Rt.,green tone	<a href="#">269410</a>	149,99 €
21	W/S glastransp. incl. box(Germany)	<a href="#">967999</a>	121,25 €	21	Rear window H/T, green	<a href="#">269610</a>	272,89 €
21	Rear window H/T, clear	<a href="#">269000</a>	207,49 €	25	HT-headliner, grey Vinyl with roof sticks	<a href="#">279804</a>	269,00 €
25	Wire set.	<a href="#">279805</a>	49,88 €	25	HT-headliner 113, creme Vinyl	<a href="#">279504</a>	260,00 €
40	Rubber ring, hardtop rr.spigot	<a href="#">279012</a>	13,74 €	42	leatherbag for chrome handle cognac	<a href="#">258804</a>	28,62 €
42	leatherbag for chrome handle red	<a href="#">258803</a>	28,62 €	42	leatherbag for chrome handle black	<a href="#">258802</a>	28,62 €
43	Buffer ring on lock	<a href="#">277018</a>	2,65 €	44	Chrome handle, gen.II (67-69)	<a href="#">277045</a>	174,99 €
44	Chrome handle, Generation II (67-69)	<a href="#">277845</a>	91,99 €	44	Chrome handle, gen.III (ca. 1969 - 08.'81)	<a href="#">277046</a>	164,99 €
45	Lock, soft top or hardtop LH	<a href="#">277010</a>	235,14 €	45	Lock, softtop or hardtop, RH	<a href="#">277020</a>	235,14 €
49	M6 x12 bolt, counter sunk head	<a href="#">277266</a>	7,46 €	50	Chrome handle HT lock, lt, repro,	<a href="#">279510</a>	180,25 €

50	DIN91, chromed Chrome handle HT lock, rt, repro, comments	<a href="#">279610</a>	199,19 €	53	comments Chrome dec. ring HT closure	<a href="#">279550</a>	71,72 €
54	Spacer ring,hard top handle	<a href="#">277796</a>	5,24 €	55	Prt. cap,hard top handle	<a href="#">277795</a>	9,65 €
56	set H/T chrome handle, Lt.	<a href="#">279500</a>	435,00 €	56	set H/T chrome handle, Rt.	<a href="#">279600</a>	435,00 €
59	Set mounting bits at HT lock handle	<a href="#">279555</a>	103,99 €	61	Joiner. Drip strip	<a href="#">269045</a>	90,50 €
63	Joiner,triang.window drip	<a href="#">269054</a>	77,35 €	82	Joiner,rear window drip stri	<a href="#">279065</a>	69,00 €
84	Rivet, rear window drip strips	<a href="#">270691</a>	0,20 €	90	Handle, e.g. Hardtop	<a href="#">281004</a>	233,00 €
100	pair trims, brass chromed, incl. nuts	<a href="#">269008</a>	794,71 €	105	threaded brass spacer, roof trims	<a href="#">299089</a>	33,20 €
105	threaded stainless spacer, roof trims	<a href="#">299789</a>	29,75 €	106	Rubber ring, wiper motor	<a href="#">282407</a>	0,77 €
106	rubber washer fits M6	<a href="#">299081</a>	1,19 €	106	N900056005202 N900056005202	<a href="#">299082</a>	0,56 €
106	countersunk head screw for hardtop dec. stripes	<a href="#">299083</a>	0,82 €	111	N9000560052 Spring pin, DIN1481, spring steel, 2.5 X 14	<a href="#">299080</a>	0,32 €
115	screw countersunk PH 2,9x13 stainless	<a href="#">769179</a>	0,24 €	116	Counter sunk shim fits screws up to 3mm	<a href="#">872990</a>	0,60 €

## 77.c, 86.b Wind protector

77.c, 86.b Wind protector, Repros

**Windschott für 230-280SL (R113)**

Artikelnummer 286100, Lieferumfang:  
 - fertig montiertes Windschott aus leichtem Rohrrahmen mit Netzgewebe, schwarz  
 - Haltewinkel mit Inbus-Schrauben und Anleitung  
 - Solide Aufbewahrungstasche aus schwarzem Kunstleder mit Reißverschluss

*schwenkbar!*

Das Windschott ist leicht und kann nach dem Abnehmen der Haltewinkel bequem angebracht oder abgenommen werden.

Die Auflage der Halter ist zum Schutz mit Gummistreifen versehen

Geformte Distanzblöcke halten an der Deckel-Vorderseite

Mit einem Inbusschlüssel wird links und rechts je ein Haltewinkel angeschraubt

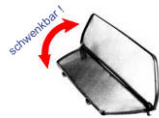
Der Verdeckkastendeckel bleibt frei beweglich

Bei korrekter Positionierung ergibt sich ein kleiner Abstand zwischen Schraube und Chromleiste. Der Überlappungsspalt des Deckels über dem Verdeckkasten reicht, so dass der Haltewinkel beim Öffnen nicht stört.

Windschott R113 "Netz", klappbar	<a href="#">286800</a>	220,00 €
Wind mesh "Weyer-Premium" 230-280SL Pagoda, premium quality	<a href="#">286807</a>	499,99 €

Wind mesh "Weyer" 230-280SL Pagoda	<a href="#">286805</a>	475,99 €
Wind mesh "Weyer" 230-280SL Pagoda, For vehicle with 3rd seat	<a href="#">286806</a>	265,00 €

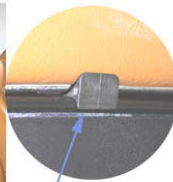
## 77.d, 86.c Info MB/Oris wind protector



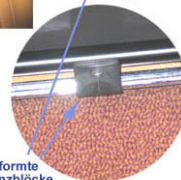
### Windschott für 230-280SL (R113)

Artikelnummer 286100, Lieferumfang:  
 - fertig montiertes Windschott aus leichtem Rohrrahmen mit Netzgewebe, schwarz  
 - Haltewinkel mit Inbus-Schrauben und Anleitung  
 - Solide Aufbewahrungstasche aus schwarzem Kunstleder mit Reißverschluss

Das Windschott ist leicht und kann nach dem Abnehmen der Haltewinkel bequem angebracht oder abgenommen werden.



Die Auflage der Halter ist zum Schutz mit Gummistreifen versehen



Geförmte Distanzböcke halten an der Deckel-Vorderseite

Mit einem Inbusschlüssel wird links und rechts je ein Haltewinkel angeschraubt



Der Verdeckkastendeckel bleibt frei beweglich



Bei korrekter Positionierung ergibt sich ein kleiner Abstand zwischen Schraube und Chromleiste. Der Überlappungspalt des Deckels über dem Verdeckkasten reicht, so dass der Haltewinkel beim Öffnen nicht stört.



## 79.b Hardtop Storage

**Hardtop-wagen**  
R113, R107, ...



Einfache Montage, schlagfeste Beschichtung (in weiß oder schwarz), robuste Rollen, arretierbar, solide Schaumpolster m. Filzschicht,

schwarz: Art. [779980](#)  
weiß: Art. [779981](#)



**Hardtop-Unterbringung**  
Garagenlifte  
Abstellwagen  
Staubhüllen

**Hardtop Storage**  
Hoists, Carts, Covers

**Hardtop-Cover Art. [779997](#)**



**2-teilige Hülle**  
passend zum Garagenlift  
- einfache Montage (Klettverschluss)  
- das HT wird auch von unten umhüllt

**orig. Garagenlift Art. [779999](#)**



Mercedes-Benz Originalzubehör:  
Seilwinde mit Handkurbel,  
"T-Traverse" an Verschlüssen vorn  
und Haken unter Rahmen hinten



**Garagenlift**  
Traverse mit Regenrinnenhalter  
Gurt zur Absicherung  
Flaschenzug, Haken und Klampe

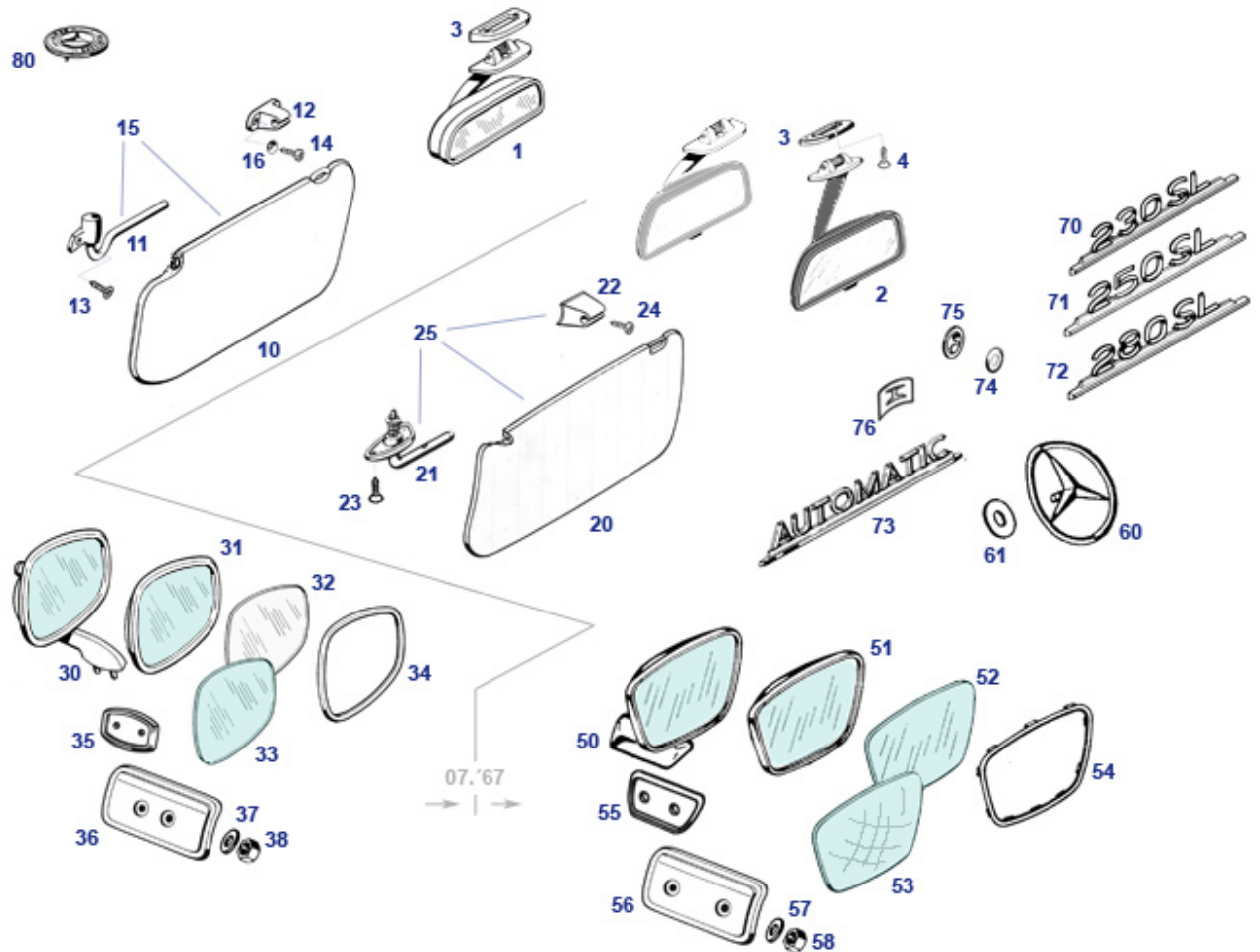
R113 (230-280SL): Art. [279998](#)  
R/C107 (280-500SL): Art. [779998](#)



279998	Hardtop hoist R107, mech.	<a href="#">779998</a>	229,90 €	779980	Hardtop cart black, with dust cover fitting 113+107	<a href="#">779980</a>	219,00 €
779980	Hardtop cart, R107/113/129, no cover	<a href="#">779981</a>	199,99 €	779985	Cover (tan) for hardtop vehicle	<a href="#">779985</a>	76,99 €

# 81 Mirrors, Sunvisors, Int/Ext Eqmt.

81 Mirrors, Sunvisors, Int/Ext Eqmt.



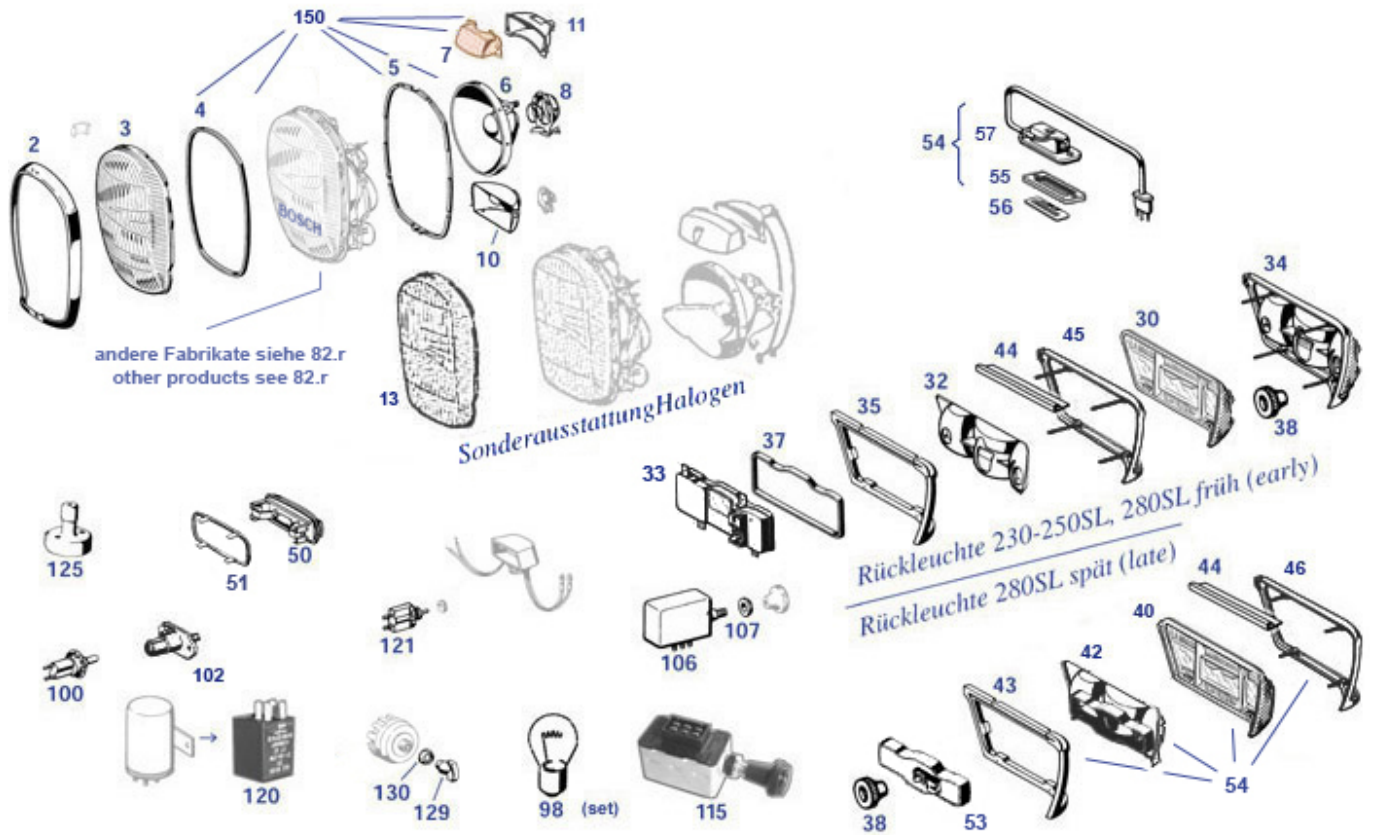
	Countersunk bolt M5X16, industrial chrome plated	<a href="#">167062</a>	0,45 €		M5 chrome bolt PH, e.g. licence plates	<a href="#">988998</a>	2,20 €
	Ash tray, black	<a href="#">281800</a>	174,93 €		countersunk head screw M5 X 16, high gloss chrome plated	<a href="#">167862</a>	4,99 €
3	Inner mirror support frame,230SL 1st ge	<a href="#">281023</a>	79,08 €	4	Senk-Blechschaube 3,9x22 zB Innenspieg	<a href="#">299928</a>	0,44 €
10	RHD-Sunvisor ->67 driver's side w/o bracket, cream	<a href="#">281133</a>	179,52 €	10	Sunvisor ->67 LH w/o bracket, cream	<a href="#">281131</a>	229,00 €
10	Sunvisor ->67 RH w/o bracket, cream	<a href="#">281132</a>	229,00 €	10	RHD-Sunvisor ->67 passenger side w/o bracket, cream	<a href="#">281134</a>	190,00 €
11	Chrome bracket, visor RH ->'67	<a href="#">281168</a>	161,99 €	11	Chrome bracket LH visor ->'67	<a href="#">281158</a>	160,00 €
12	Bracket, sunvisor -> '67	<a href="#">281038</a>	5,96 €	13	complete screw set, chrome plated	<a href="#">299233</a>	399,90 €
14	Counter sunk screw 4,2x14, industrial chromed	<a href="#">799932</a>	0,58 €	15	Pair sunvisors 230SL, light Repro	<a href="#">281730</a>	385,58 €
16	Escutcheon fitting panelling screws diam 3,9	<a href="#">267014</a>	0,89 €	20	S'visor `67->, Lt.no mirr,no supp	<a href="#">281137</a>	223,35 €
20	S'visor `67->, Rt.w. mirr,no supp,Repro	<a href="#">281136</a>	223,35 €	21	S'visor support, outer, 67->, RH	<a href="#">281160</a>	89,90 €
21	S'visor support, outer, 67->, LT	<a href="#">281150</a>	89,90 €	22	Pin for sun visor from 1967	<a href="#">281739</a>	29,16 €
22	Visor bracket from 67->, Repro see picture	<a href="#">281639</a>	14,99 €	22	Bracket, sunvisor'67->,cream-grey	<a href="#">281039</a>	13,64 €
23	Counter sunk screw 3,9 Phillips	<a href="#">281139</a>	0,26 €	24	Square nut e.g. at 281039	<a href="#">281169</a>	0,44 €
24	panel screw, lens head, 3,5x22 visorsup	<a href="#">281159</a>	0,44 €	25	Sunvisor 67-> lt. light Repro	<a href="#">281737</a>	189,21 €
25	Sunvisor 67-> rt. light Repro	<a href="#">281736</a>	189,21 €	25	Pair Sunvisors '67-> light Repro	<a href="#">281735</a>	348,43 €
30	Rear view mirror, Lt. early, B-quality	<a href="#">281030</a>	101,45 €	30	Rear view mirror, Rt. early, B-quality	<a href="#">281040</a>	100,90 €
31	Mirror head ->67, Repro, clear	<a href="#">181125</a>	47,10 €	31	Mirror head ->67, Repro, tinted	<a href="#">181025</a>	43,64 €
33	Replacement glass, tinted	<a href="#">181026</a>	22,00 €	34	A0008110165 Replacement nylon bezel	<a href="#">181027</a>	14,70 €

35	Rubber pad mirror ->'67, fits L/R	<a href="#">281035</a>	2,34 €	36	Hidden bracket, door mirror early	<a href="#">281057</a>	12,99 €
37	Spring washer, fits M6	<a href="#">181028</a>	0,18 €	38	Hex nut M6, yellow zinc.	<a href="#">181023</a>	0,18 €
50	Rear view mirror, Lt. late, B-quality	<a href="#">281050</a>	101,39 €	50	Rear view mirror, late, rt. B-quality	<a href="#">281060</a>	101,39 €
51	Mirror head '67->, RH, quality deficits, Repro	<a href="#">281852</a>	32,50 €	51	Mirror head '67->, LH, quality deficits, Repro	<a href="#">281851</a>	42,00 €
52	Mirror glass, flat, tinted, fits late m	<a href="#">281061</a>	23,80 €	54	Ring, glass retention, 1967-> (trapez)	<a href="#">281062</a>	16,66 €
55	Mirror underlay "trapezoid" '67->	<a href="#">281855</a>	2,56 €	56	Hidden bracket, door mirror late	<a href="#">281056</a>	13,85 €
61	Rubber washer	<a href="#">175012</a>	1,11 €	70	Type designation: 230SL	<a href="#">281020</a>	145,00 €
71	Type designation: 250SL	<a href="#">281021</a>	145,00 €	73	Type designation: Automatic	<a href="#">281025</a>	100,00 €
74	O-Ring blk rubber, eg Type signs	<a href="#">281027</a>	0,13 €	75	Clip, 230-280SL	<a href="#">281026</a>	1,18 €
76	Clip, 'Automatic'	<a href="#">281024</a>	0,20 €	80	Spring washer M4 yellow zined	<a href="#">299283</a>	0,08 €
80	Washer 4,3 yellow zined	<a href="#">299282</a>	0,08 €	80	Hex Nut, M4	<a href="#">799919</a>	0,20 €

## 82 Lighting and Wiper

### 82.a Lighting Units, standard

82.a Lighting Units, standard



	Knurled chrome nut, glove box switch	<a href="#">254109</a>	14,55 €		2-pole housing (plastic base & cap), no metal bushings	<a href="#">254182</a>	7,97 €
	Screw, M4X6 Phillips, e.g. switch	<a href="#">799546</a>	0,24 €		Con.housing, 2 pole flat	<a href="#">254103</a>	0,54 €
	slotted grub screw for taillight frames	<a href="#">282856</a>	4,65 €		see 282102	<a href="#">282002</a>	8,96 €
	contact bushing 4mm brass, silver plated	<a href="#">254855</a>	1,40 €	glov	Bulb 12V / 10W, torpedo, total length 44	<a href="#">299094</a>	1,44 €
	6-pole housing (plastic base & cap), no metal bushings	<a href="#">254180</a>	8,45 €		8-pole housing (plastic base & cap), no metal bushings	<a href="#">254181</a>	8,69 €
	Bulb 12V / 10W, torpedo, total length 38	<a href="#">799081</a>	1,46 €		Knob, Design 1968, M5, fits Cigar lighters M5	<a href="#">254843</a>	45,28 €
	Knob, heater blower switch, Repro, optical shortcomings	<a href="#">282826</a>	68,29 €		4-pole housing (plastic base & cap), no metal bushings	<a href="#">254883</a>	8,09 €
1	Headlamp 230-280SL Euro-LHD, Bilux	<a href="#">282800</a>	749,70 €	1	Headlamp 230-280SL Euro-LHD, Halogen (H4)	<a href="#">282700</a>	779,91 €
1	Headlamp 230-280SL Euro-LHD, Bilux	<a href="#">282600</a>	955,00 €	3	Headlamp lens LHD Bilux fit Repro 282800	<a href="#">282801</a>	220,38 €
3	spring clip, headlamp lens	<a href="#">282082</a>	2,00 €	3	Glass, headlamp R113 Bilux LHD	<a href="#">282001</a>	184,45 €
5	In hex M4 bolt, head lamp mounting	<a href="#">299280</a>	1,36 €	5	threaded bushing, lamp housing repair	<a href="#">262855</a>	2,50 €
5	Seal, headlamp to body	<a href="#">282006</a>	35,87 €	6	Rubber bushing at reflector	<a href="#">182807</a>	2,38 €
7	Lens, blinker (direction ind.)	<a href="#">282075</a>	30,55 €	8	Wiring w. sockets, fitting Bosch Bilux	<a href="#">282875</a>	72,83 €
8	H4 Connector housg w.3x flag crimps	<a href="#">282041</a>	5,83 €	8	Lamp holder	<a href="#">282872</a>	19,75 €
8	Housing for Bilux/H4 connector	<a href="#">182042</a>	4,74 €	10	Fog reflector, fits 35W Euro-Version	<a href="#">282878</a>	72,83 €
10	Bracket, headlight mirror adjuster	<a href="#">182805</a>	5,58 €	10	small metal boot, adj. spring locking	<a href="#">282804</a>	1,19 €
10	SAdjuster screw, long, 113 headlights	<a href="#">282806</a>	2,93 €	10	coil spring, fits adjuster bolts	<a href="#">282807</a>	1,84 €
11	dir light reflector, fits Bosch-Euro	<a href="#">282876</a>	33,99 €	13	Glass, Headlamp R113 LHD "H1"	<a href="#">282004</a>	99,00 €
30	Taillight lens early RH rd/ye/ye (FR)	<a href="#">282143</a>	143,99 €	30	Right Tail Lamp Lens w/o. frame,	<a href="#">282141</a>	143,99 €

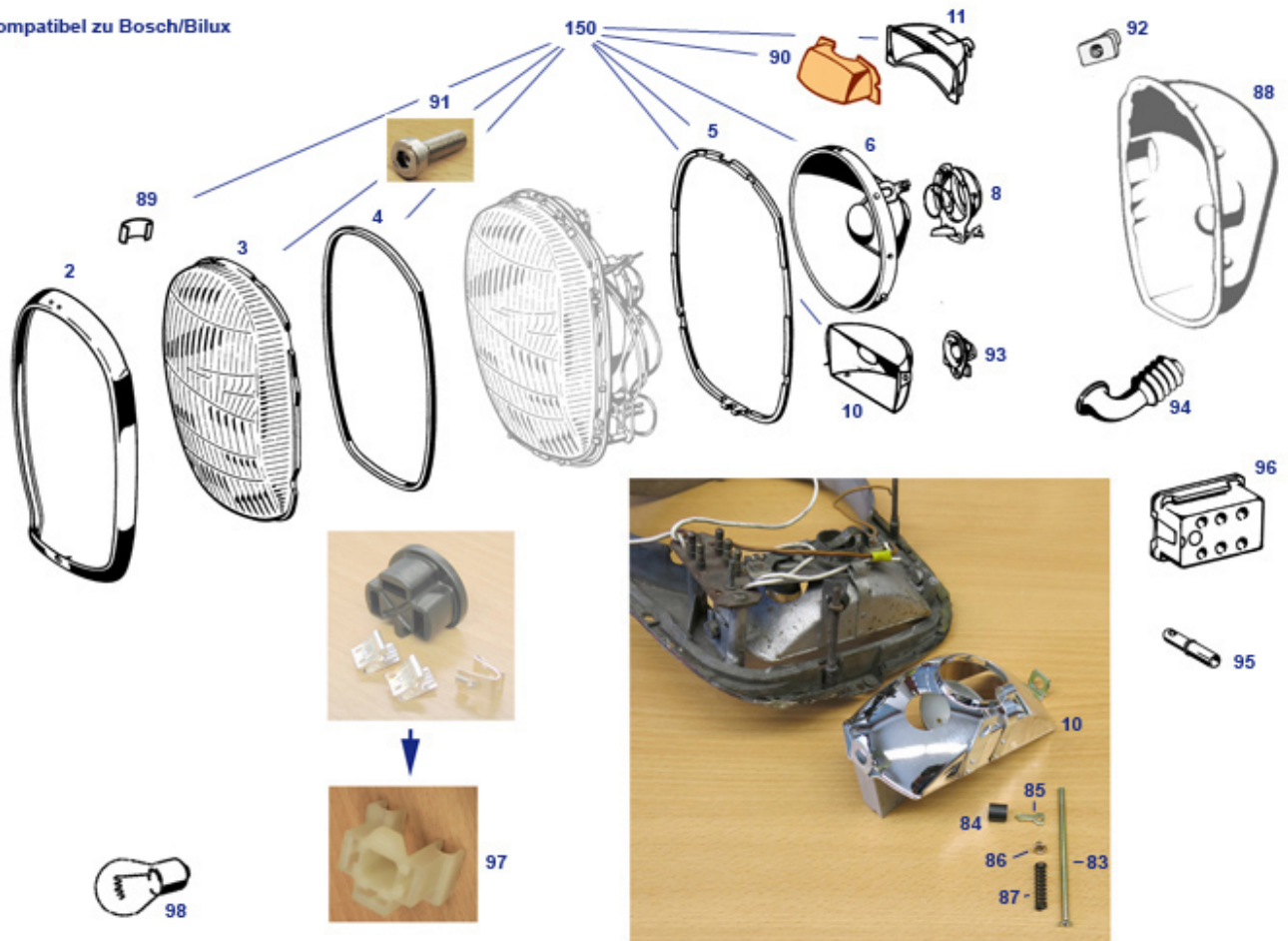
30	Taillight lens early LH rd/ye/ye (FR) <a href="#">282133</a>	143,99 €	30	red/yellow Left Tail Lamp Lens w/o. frame, red/yellow <a href="#">282131</a>	143,99 €
30	Lens w.o. frame, red/red, Rt. <a href="#">282121</a>	143,99 €	30	Tail Lamp Lens - Left <a href="#">282111</a>	143,99 €
32	Reflector RH, taillight "early style" <a href="#">282108</a>	81,00 €	32	Reflector LH, taillight "early style" <a href="#">282109</a>	81,00 €
33	Lampholder '63 - '69 right side <a href="#">282114</a>	155,99 €	33	Lampholder '63-'69 left side <a href="#">282115</a>	155,99 €
34	Lens w.frame, red/red, Lt.->69, Repro <a href="#">282110</a>	517,00 €	34	Lens w.frame, red/red, Rt., ->69, Repro <a href="#">282120</a>	517,00 €
34	Lens w.frame, rd/ye/wh left .->69, Repro <a href="#">282130</a>	517,00 €	34	Lens w.frame, rd/ye/wh RH.,->69, Repro <a href="#">282140</a>	559,99 €
35	Seal, taillight left side, ->'69, repro <a href="#">282813</a>	49,90 €	35	Seal, taillight rt. ->'69, repro <a href="#">282812</a>	49,90 €
35	Seal, taillight RH up to ca.'69 <a href="#">282112</a>	57,49 €	35	Seal, taillight left, up to ca.'69 <a href="#">282113</a>	57,49 €
37	seal f.lampholder ->'69 <a href="#">282119</a>	4,74 €	38	Milled M5 nut, plastic w insert <a href="#">282855</a>	3,30 €
38	Milled M5 nut, plastic, white <a href="#">282655</a>	7,04 €	40	Lens rear light RH 69-> red/red <a href="#">282181</a>	199,99 €
40	Lens rear light LH. 69-> red-yellow <a href="#">282151</a>	189,39 €	40	Lens rear light LH 69-> red/red <a href="#">282171</a>	199,99 €
40	Lens rear light RH. 69-> red-yellow <a href="#">282161</a>	189,39 €	42	Mirror fits RH taillight "late style" <a href="#">282168</a>	133,99 €
42	Mirror, fits LH taillight "late style" <a href="#">282158</a>	133,99 €	43	Seal, tail lamp LH, late version <a href="#">282517</a>	31,83 €
43	Seal, tail lamp RH, late version <a href="#">282518</a>	31,83 €	43	Seal, tail lamp RH, late version <a href="#">282118</a>	59,20 €
43	Seal, tail lamp LH, late version <a href="#">282117</a>	59,20 €	44	Rubber profile,1m rear lights, R113 <a href="#">282157</a>	8,22 €
45	Chrome surround LH, taillight early <a href="#">282132</a>	247,34 €	45	Chrome surround RH, taillight early <a href="#">282142</a>	247,34 €
46	Chrome surround RH, taillight late <a href="#">282162</a>	246,98 €	46	Chrome surround LH, taillight late <a href="#">282152</a>	246,98 €
50	Interior lamp, shape nearly Hella style <a href="#">282820</a>	15,28 €	50	Interior light, simplified <a href="#">282020</a>	11,90 €
50	Interior light HELLA,same as MB- Replacement <a href="#">282920</a>	31,33 €	51	frame underneath interior lamp <a href="#">282680</a>	18,39 €
53	On request: bulb holder 69-> left <a href="#">282153</a>	396,66 €	53	Rest: el. connector (fem) 6-pole, kit, OE-qual <a href="#">254984</a>	27,67 €
53	On request: bulb holder 69-> rt <a href="#">282163</a>	396,66 €	53	Diode <a href="#">282189</a>	1,43 €
54	Rear light, comp.280SL Lt. 69->, red/amber <a href="#">282650</a>	533,12 €	54	Rear light, comp.280SL Rt. 69->, red/amber <a href="#">282660</a>	533,12 €
55	rubber seal, lic light lens <a href="#">282054</a>	7,82 €	56	Glass cover,R113 license plate light <a href="#">282055</a>	19,99 €
57	Bulb 12V / 5W, torpedo, total length 38 <a href="#">299098</a>	1,54 €	57	Rest: Housing lic.plate lamp <a href="#">282809</a>	56,79 €
57	Grommet 6/26 <a href="#">299819</a>	3,15 €	98	Bulb, 40/45W, Bilux <a href="#">299092</a>	3,99 €
98	Bulb 12V/18W direction indicator <a href="#">299087</a>	3,33 €	98	Bulb 12V / 3W, torpedo, total length 30 <a href="#">226102</a>	2,53 €
98	light bulb 12V/2W, BA9s, eg. Instruments <a href="#">254033</a>	2,20 €	98	Bulb 12V 15W BA15S, halo modernized <a href="#">399083</a>	3,69 €
98	Bulb, 35W, Fog light <a href="#">299093</a>	8,32 €	98	Bulb 12V / 21W direction indicator <a href="#">299085</a>	1,25 €
98	Light bulb 12V/2W, BA7s <a href="#">299079</a>	1,99 €	98	Bulb 1.2W, glass socket, switch-knob, cockpit <a href="#">299097</a>	1,79 €
98	Halogene bulb, fits in Bilux socket <a href="#">299192</a>	5,74 €	98	Bulb, 55W Halogen H3,fog light <a href="#">299091</a>	4,52 €
98	Bulb, passenger compt. 3W, NoName <a href="#">299096</a>	1,79 €	98	Bulb 12V 15W BA15S, halo modernized <a href="#">399084</a>	3,92 €
98	Bulb, 55W H1, e.g. 113 if Halogen equipped <a href="#">299090</a>	5,95 €	98	Bulb, parking light, 12V/4W, BA9S <a href="#">299099</a>	1,39 €
100	Door switch round pin connectors <a href="#">282721</a>	82,26 €	100	Switch, flat connectors <a href="#">282031</a>	10,21 €
102	Bulb, e.g. trunk light <a href="#">282033</a>	2,50 €	102	bulb 12V 5W Ba15s socket <a href="#">799189</a>	0,81 €
102	A0008210252 Door switch, version flat poles <a href="#">182021</a>	28,98 €	102	Trunk(boot) light and switch '59-'85 <a href="#">282022</a>	40,58 €
107	Escutcheon, emerg. flasher switch <a href="#">282035</a>	10,28 €	115	Relay, flasher, retrofit., plastic knob, Bosch <a href="#">982034</a>	155,00 €
115	Upgr. hazzard flasher Hella with wiring <a href="#">982834</a>	184,45 €	115	pigtail harness fits emergency switch 982034 <a href="#">982035</a>	52,00 €
120	universal flasher relay 12V 4x21W Bosch, flat pole <a href="#">582070</a>	52,40 €	120	Turn signal transmitter <a href="#">254760</a>	95,00 €
120	crimp connector <a href="#">997992</a>	0,43 €	120	Housing, fits up to 5 crimp-shoes <a href="#">554070</a>	2,99 €
120	Turn signal transmitter (metal), Bosch <a href="#">182001</a>	98,18 €	121	A0015450211 Contact switch, glovebox <a href="#">254101</a>	402,03 €
125	foot operted switch <a href="#">454012</a>	36,43 €	130	Nut, chrome, light switch <a href="#">254043</a>	11,63 €

## 82.b compatible parts fitting Bosch-Bilux

82.b compatible parts fitting Bosch-Bilux



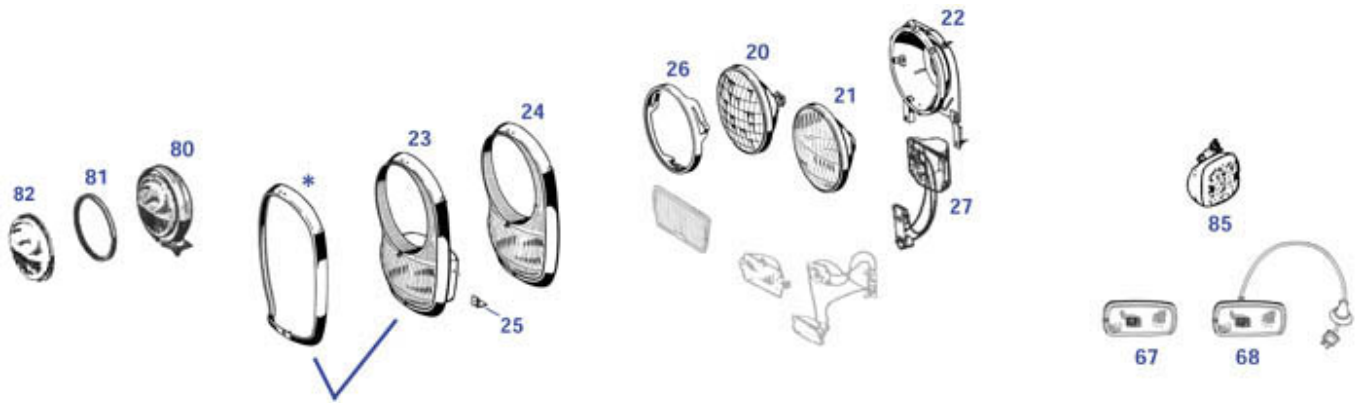
Kompatibel zu Bosch/Bilux



5	see 282102 Seal, headlamp to body	<a href="#">282002</a> <a href="#">282006</a>	8,96 € 35,87 €	3	Glass, headlamp R113 Bilux LHD	<a href="#">282001</a>	184,45 €
8	Lamp holder	<a href="#">282872</a>	19,75 €	8	Wiring w. sockets, fitting Bosch Bilux	<a href="#">282875</a>	72,83 €
11	dir light reflector, fits Bosch-Euro	<a href="#">282876</a>	33,99 €	10	Fog reflector, fits 35W Euro-Version	<a href="#">282878</a>	72,83 €
84	Rubber bushing at reflector	<a href="#">182807</a>	2,38 €	83	SAdjuster screw, long, 113 headlights	<a href="#">282806</a>	2,93 €
86	small metal boot, adj. spring locking	<a href="#">282804</a>	1,19 €	85	Bracket, headlight mirror adjuster	<a href="#">182805</a>	5,58 €
88	Lamp housing LH	<a href="#">262850</a>	61,23 €	87	coil spring, fits adjuster bolts	<a href="#">282807</a>	1,84 €
89	spring clip, headlamp lens	<a href="#">282082</a>	2,00 €	88	Lamp housing RH	<a href="#">262860</a>	61,23 €
91	rubber washer, adjuster bolts	<a href="#">782803</a>	0,77 €	90	Lens, blinker (direction ind.)	<a href="#">282075</a>	30,55 €
92	threaded bushing, lamp housing repair	<a href="#">262855</a>	2,50 €	91	In hex M4 bolt, head lamp mounting	<a href="#">299280</a>	1,36 €
94	Tube,prt.,head lamp cable,r.h.	<a href="#">254046</a>	24,29 €	94	Tube,prt.,head lamp cable,l.h.	<a href="#">254047</a>	24,29 €
95	Sold on sleeve 4mm	<a href="#">254055</a>	2,69 €	95	contact bushing 4mm brass, silver plated	<a href="#">254855</a>	1,40 €
97	Housing for Bilux/H4 connector	<a href="#">182042</a>	4,74 €	96	Rest: el. connector (fem) 6-pole, kit, OE-qual	<a href="#">254984</a>	27,67 €
98	Bulb, e.g. trunk light	<a href="#">282033</a>	2,50 €	97	Socket, fits Bilux-bulb, classic style	<a href="#">182041</a>	6,89 €
98	Bulb 12V/18W direction indicator	<a href="#">299087</a>	3,33 €	98	Bulb 12V / 21W direction indicator	<a href="#">299085</a>	1,25 €
98	Bulb, 35W, Fog light	<a href="#">299093</a>	8,32 €	98	Bulb, 40/45W, Bilux	<a href="#">299092</a>	3,99 €
				98	Bulb, parking light, 12V/4W, BA9S	<a href="#">299099</a>	1,39 €

## 82.c Lighting Units USA, additional Lamps

82.c Lighting Units USA, additional Lamps



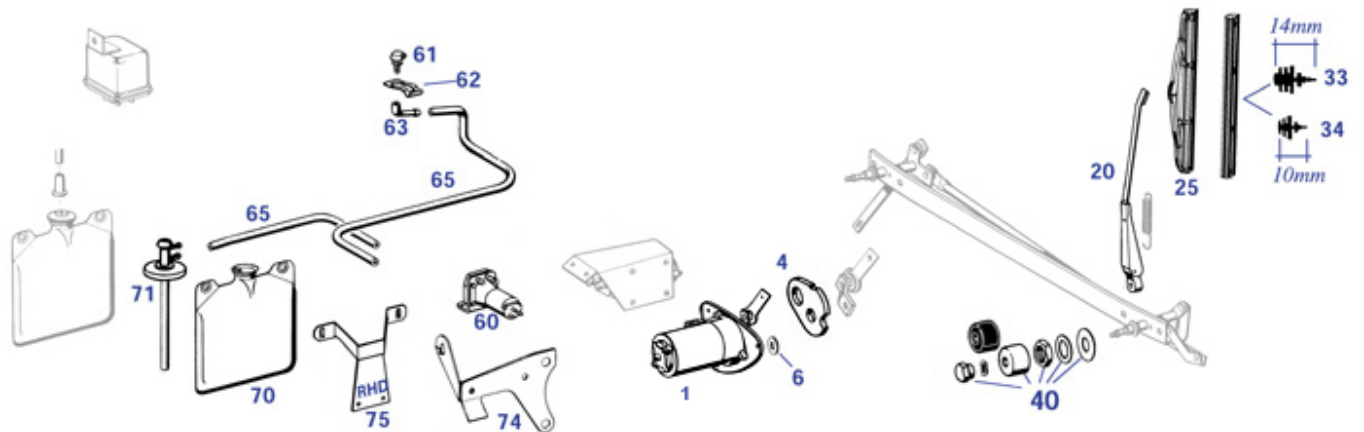
\*The screen section "chrome surround" is similar to the european version, but dismantling will damage the plastic lens. Section "plastic insert" is not available separate.

Der Chromrahmen der Scheinwerfermaske ist baugleich mit der europäischen Version, lässt sich aber nur gewaltsam abnehmen. Der Kunststoffeinsatz separat ist nicht lieferbar.

21	Euro-LHD H4 Lamp fits US-frame,w.rbrcap	<a href="#">282917</a>	58,79 €	80	1 pair aux lamp accessory chrome round H3 unit	<a href="#">382328</a>	319,99 €
----	---	------------------------	---------	----	--	------------------------	----------

## 82.d Windscreen wipe/wash

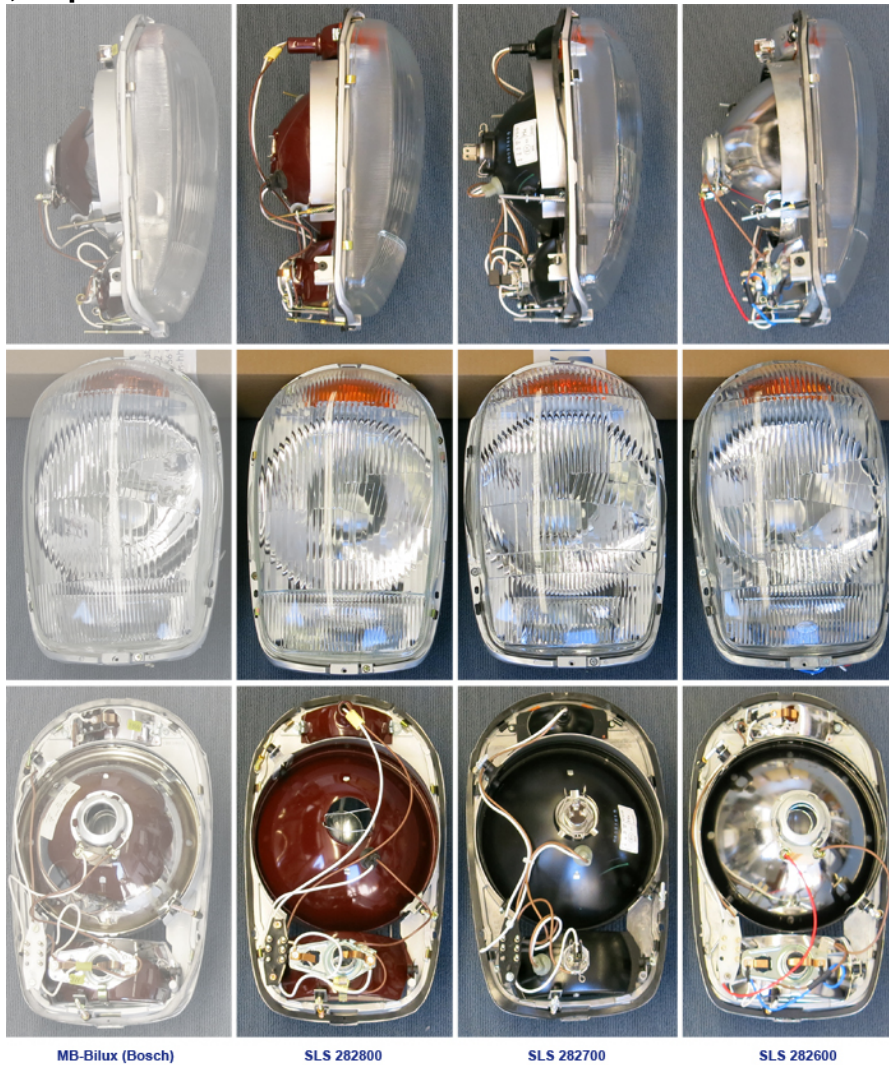
82.d Windscreen wipe/wash



cpnut	Wiper shaft nut, high gloss	<a href="#">282842</a>	19,49 €	cpnut	Wiper shaft nut (VA hat)	<a href="#">282242</a>	20,80 €
shimsm	safety washer with serrations 8X13X0,8, zinc plated	<a href="#">282243</a>	0,26 €	capc	Chrome cap on windscreen wipe	<a href="#">282244</a>	74,90 €
nut	Nut wiper shaft	<a href="#">282245</a>	4,27 €	shim	Shim, w' wiper shafts	<a href="#">282246</a>	0,77 €
rbr	Rubber ring, repl., w/s wiper shaft	<a href="#">282247</a>	1,59 €	1	Wiper motor, overhauled, if no used one available	<a href="#">282480</a>	1.359,99 €
1	Wiper motor, in exchange, after arrival of your used part	<a href="#">282400</a>	1.087,26 €	4	Underlay, wiper motor to firewall W113	<a href="#">282248</a>	16,01 €
6	rubber washer fits M6	<a href="#">299081</a>	1,19 €	6	Rubber ring, wiper motor	<a href="#">282407</a>	0,77 €
10	Tool, wiper link shaft greasing	<a href="#">258826</a>	65,45 €	20	wiper arm R113, W110, right, glossy	<a href="#">282720</a>	135,01 €
20	wiper arm R113, W110, LH, glossy	<a href="#">282710</a>	135,01 €	25	wiper blade C111 late, 113 330mm	<a href="#">382722</a>	49,21 €
34	Wiper rubber, 280SL (late)	<a href="#">282234</a>	23,81 €	60	Adater wire fits new pump to old loom	<a href="#">286540</a>	32,00 €
60	Con.housing, 2 pole flat	<a href="#">254103</a>	0,54 €	60	El. w'washer pump, 107 early, ... No Name brand	<a href="#">786802</a>	17,26 €
60	Panelling screw 4,8 x 13	<a href="#">799933</a>	0,32 €	60	crimp connector	<a href="#">997992</a>	0,43 €
62	Clip for washer nozzle W113	<a href="#">286831</a>	5,00 €	65	Hose, w'washer, flex.,per metre	<a href="#">186040</a>	1,84 €
65	Rubber grommet 3 way, bonnet cable	<a href="#">298778</a>	3,55 €	65	Rbr grommet,7/10,113 washpipe,121 boot	<a href="#">299011</a>	1,08 €
70	WS washer tank, repro with cap	<a href="#">186810</a>	87,26 €	71	Cap,washerfluid reservoir ->ca'78	<a href="#">786825</a>	14,10 €
71	Washer bag cap w.valve e.g to	<a href="#">186015</a>	18,86 €	74	3pcs-assy Bracket,	<a href="#">229086</a>	61,29 €

75	186015, B-Quality Support, RHD Washer bag, black	<a href="#">286811</a>	77,80 €	75	clutch+waterreservoi Support, RHD-Washer bag, zinc yellow	<a href="#">286011</a>	64,56 €
----	---	------------------------	---------	----	---	------------------------	---------

## 82.r Headlamps, Reproduction Overview



282600	Headlamp 230-280SL Euro-LHD, Bilux	<a href="#">282600</a>	955,00 €	282700	Headlamp 230-280SL Euro-LHD, Halogen (H4)	<a href="#">282700</a>	779,91 €
--------	---------------------------------------	------------------------	----------	--------	--	------------------------	----------

## 82.i Info Headlight Halogen or Bilux

82.i Info Headlight Halogen or Bilux

**i** - Hauptscheinwerfer  
**Serie oder Halogen**

für Serie: BILUX 2-Fadenbirne, 40/45W, in original-Baulform R2 (SLS 299092)

für Mercedes-SA 55570 „Halogen“ Birnen H1, 55W (1-Faden, Form P14,5 s, 299090)

Umrüst-Glühbirne „Halogen-Leuchtmittel auf Bilux-Sockel“ (R2-P45t, SLS 299192), Glaskolben hat vorn eine integrierte Blendschutzbeschichtung. Höhere Lichtausbeute, jedoch ggf. nur nach Demontage des Blech-Blendschutzes (Anbauteil des Reflektors, Platzproblem) einsetzbar.

Standard-Streuscheibe „Bilux“ (Serie durchgängig für alle R113)

kastenförmige Streuscheibe bei Sonderwunsch (SA) Halogen

Das Nebellicht wurde mit modernisiert:  
 Halogen „H3“ 55W SLS 299091  
 ebenso Lichtverbesserung beim Blinklicht (18W→21W)

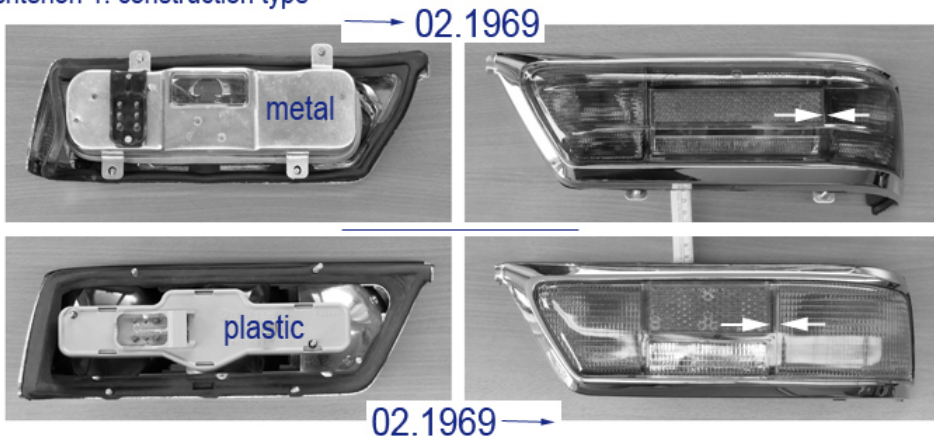
Serie 35W, SLS 299093

18W	Bulb 12V/18W direction indicator	<a href="#">299087</a>	3,33 €	21W	Bulb 12V / 21W direction indicator	<a href="#">299085</a>	1,25 €
299090	Bulb, 55W H1, e.g. 113 if Halogen equipped	<a href="#">299090</a>	5,95 €	299091	Bulb, 55W Halogen H3,fog light	<a href="#">299091</a>	4,52 €
299092	Bulb, 40/45W, Bilux	<a href="#">299092</a>	3,99 €	299093	Bulb, 35W, Fog light	<a href="#">299093</a>	8,32 €

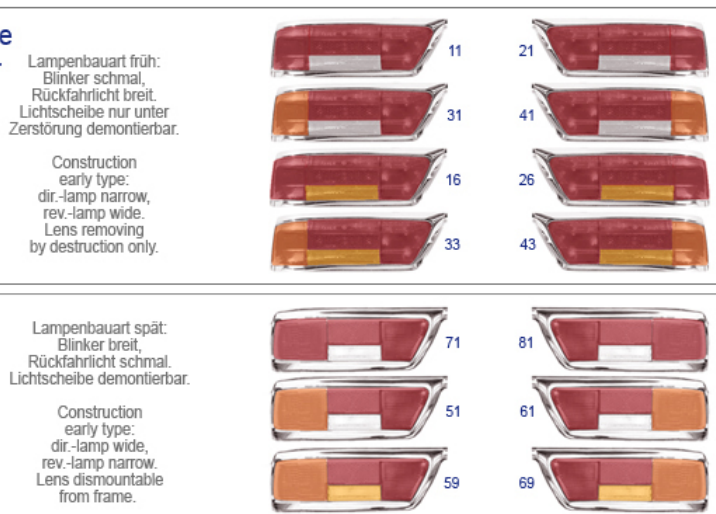
## 82.i Info Rückleuchten

82.i Info Rückleuchten

Kriterium 1: Bauart  
 criterion 1: construction type



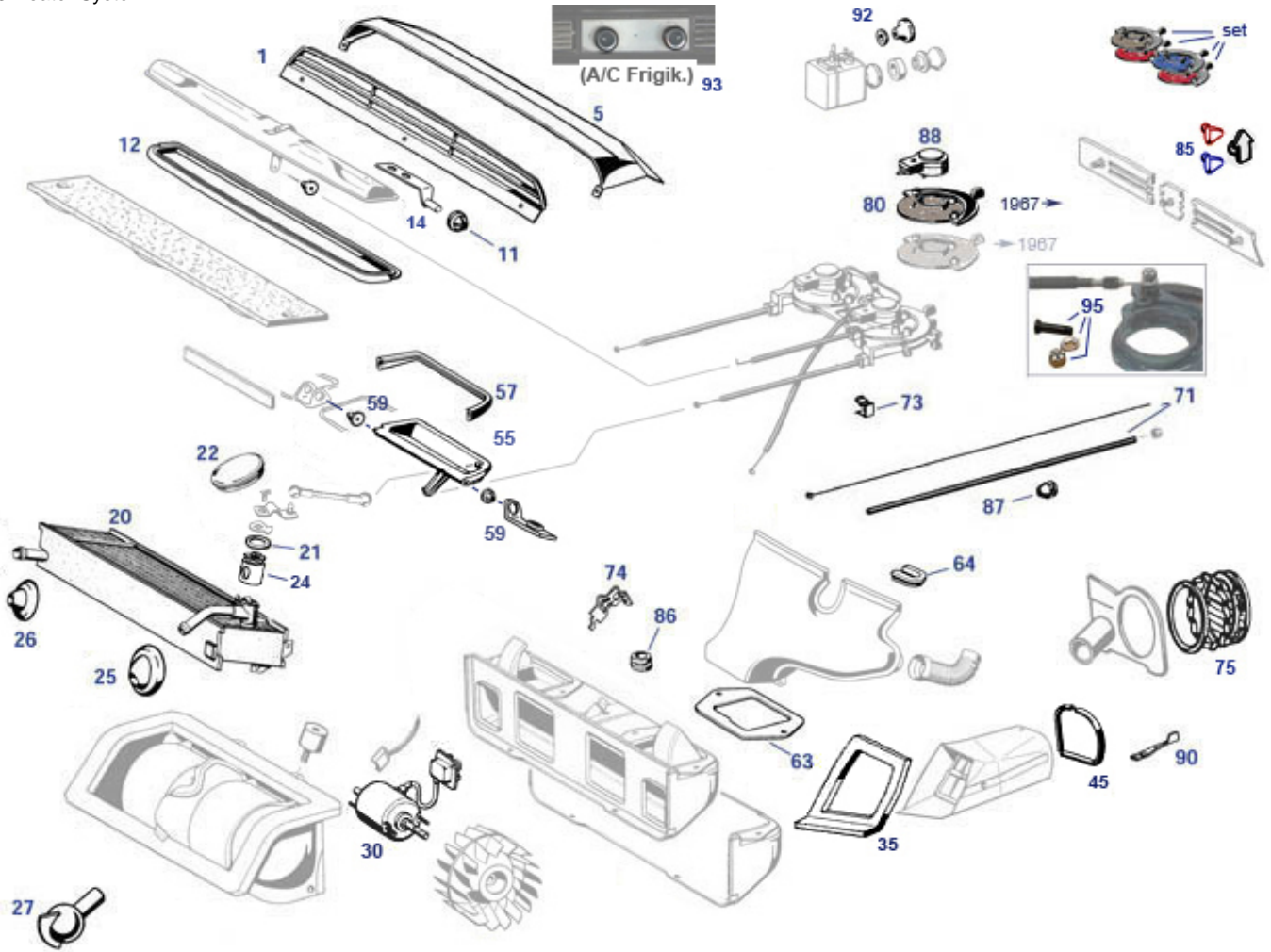
Kriterium 2: Farbe  
 criterion 2: color



	Milled M5 nut, plastic, white	<a href="#">282655</a>	7,04 €	11	Lens w.frame, red/red, Lt.->69, Repro	<a href="#">282110</a>	517,00 €
11	Tail Lamp Lens - Left	<a href="#">282111</a>	143,99 €	16	Lens early LH rd/rd/ye (FR)	<a href="#">282116</a>	152,50 €
21	Lens w.frame, red/red, Rt., ->69, Repro	<a href="#">282120</a>	517,00 €	21	Lens w.o. frame, red/red, Rt.	<a href="#">282121</a>	143,99 €
26	Lens early RH rd/rd/ye (FR)	<a href="#">282126</a>	152,00 €	31	Lens w.frame, rd/ye/wh left .,->69, Repro	<a href="#">282130</a>	517,00 €
31	Left Tail Lamp Lens w/o. frame, red/yellow	<a href="#">282131</a>	143,99 €	33	Taillight lens early LH rd/ye/ye (FR)	<a href="#">282133</a>	143,99 €
41	Right Tail Lamp Lens w/o. frame, red/yellow	<a href="#">282141</a>	143,99 €	41	Lens w.frame, rd/ye/wh RH.,->69, Repro	<a href="#">282140</a>	559,99 €
43	Taillight lens early RH rd/ye/ye (FR)	<a href="#">282143</a>	143,99 €	51	Lens rear light LH. 69-> red-yellow	<a href="#">282151</a>	189,39 €
51	Rear light, comp.280SL Lt. 69->, red/amber	<a href="#">282650</a>	533,12 €	59	Lens late LH, rd/ye/ye (FR)	<a href="#">282159</a>	196,35 €
61	Lens rear light RH. 69-> red-yellow	<a href="#">282161</a>	189,39 €	61	Rear light, comp.280SL Rt. 69->, red/amber	<a href="#">282660</a>	533,12 €
69	Lens late RH, rd/ye/ye (FR)	<a href="#">282169</a>	185,28 €	71	Lens rear light LH 69-> red/red	<a href="#">282171</a>	199,99 €

# 83 Heater System

83 Heater System

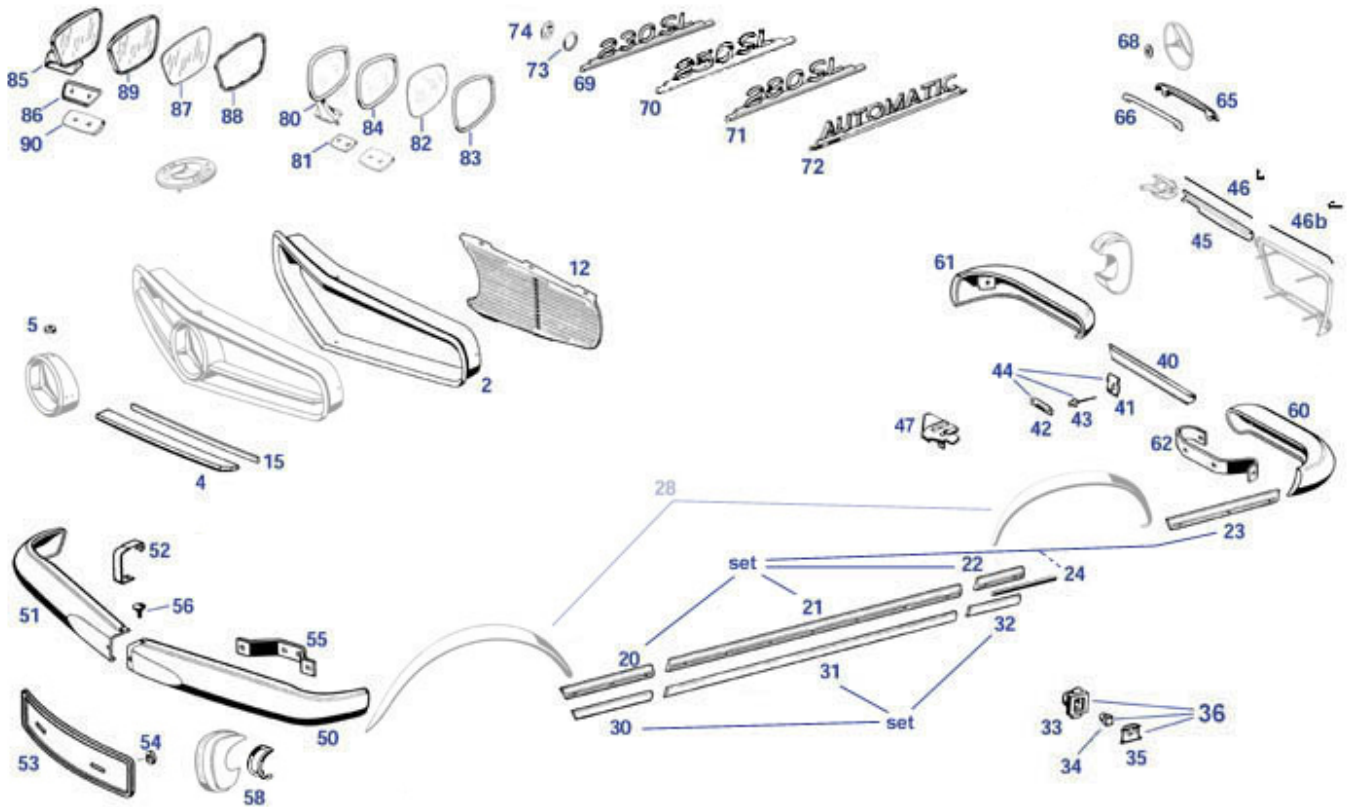


	Clip, bowden cable	<a href="#">775858</a>	3,30 €		1m cooling water hose 12/19mm	<a href="#">250823</a>	7,14 €
	Light bulb 12V/2W, BA7s	<a href="#">299079</a>	1,99 €		Set, control discs ->67	<a href="#">283102</a>	197,66 €
	aux el pump, heater hose LHD, BOSCH	<a href="#">583160</a>	174,99 €		Rubbergrommet, defrost tube	<a href="#">183109</a>	16,30 €
setonly	Set, control discs ->67	<a href="#">283101</a>	221,99 €		Heater core LH, overhauled, non-exchange-service	<a href="#">183117</a>	1.518,40 €
	overhauled heat exchanger, no used part required	<a href="#">283918</a>	1.439,90 €		water fitting M32 fitting hose 250822	<a href="#">220122</a>	45,08 €
1	Spring clip nut, 4,2, e.g. wing 107,..	<a href="#">299028</a>	0,33 €	1	Chrome Air intake ornamental mesh, Repr	<a href="#">283720</a>	731,22 €
1	Screw, grille/bodywork	<a href="#">283021</a>	1,90 €	1	Chrome Air intake ornamental mesh, Repr	<a href="#">283620</a>	452,20 €
5	hood above air duct grille, Repr doesn't meet genuine Quality	<a href="#">283820</a>	175,77 €	5	Panel screw, lens head 3,5x13 vent hood	<a href="#">283031</a>	0,18 €
11	bushing, air flaps	<a href="#">283825</a>	8,81 €	12	Rubber seal, air intake flap	<a href="#">283810</a>	28,39 €
12	Seal, fresh air flap	<a href="#">283110</a>	70,00 €	14	Bracket, fresh air flap	<a href="#">283097</a>	50,99 €
14	1 pair brackets, fresh air flap, yellow zined	<a href="#">283897</a>	40,79 €	20	heater valve R113	<a href="#">283815</a>	235,20 €
20	Heater radiator, Repr, incl valve	<a href="#">283618</a>	844,90 €	20	We would be happy to advice you Heater radiator overh. used	<a href="#">283818</a>	638,90 €
21	Sealing ring, heater valve	<a href="#">283022</a>	2,31 €	22	Abdeckung Wärmetauscherventil	<a href="#">298845</a>	6,77 €
22	Closing disc	<a href="#">298045</a>	6,68 €	24	Valve insert, eg heater core W113	<a href="#">283814</a>	26,97 €
25	Rubber grommet, inlet	<a href="#">299003</a>	3,55 €	26	Rubber grommet, return	<a href="#">299004</a>	0,50 €
27	Ball Grommet for Bulkhead Drainage Pipes	<a href="#">283032</a>	25,75 €	35	Seal, RH air duct @ firewall, adhesive	<a href="#">283039</a>	15,47 €
35	Seal, LH air duct @ firewall, adhesive	<a href="#">283038</a>	15,47 €	45	Profile, air duct, 1 Meter	<a href="#">283026</a>	13,01 €
55	1 pair mix air flap	<a href="#">283822</a>	369,40 €	57	Strip,heater case,rubber,Rt., OE-	<a href="#">283028</a>	24,99 €

57	Strip,heater case,rubber,left, OE-qual	<a href="#">283027</a>	24,99 €	59	qual 1 pair brackets, inner air flaps, yellow zined	<a href="#">283895</a>	37,13 €
63	washer, 6,4 e.g. boot hinge	<a href="#">175005</a>	0,36 €	63	Screw M6 e.g. Bonnet hinges	<a href="#">299289</a>	0,38 €
63	Seal, defroster vent duct	<a href="#">283033</a>	8,56 €	63	Hex nut M6, yellow zinc.	<a href="#">181023</a>	0,18 €
64	Mounting, defroster nozzle R113	<a href="#">283837</a>	3,69 €	71	1m cable coil, outer	<a href="#">183072</a>	2,90 €
71	Wire e.g. heater lever	<a href="#">283014</a>	2,62 €	73	Clip, bowden cable/ctl.	<a href="#">283034</a>	2,80 €
74	Clip, bowden cable	<a href="#">775158</a>	3,57 €	74	NI Lock disc,in. bowden cable	<a href="#">283036</a>	0,19 €
75	round clips, vent bezels to dash	<a href="#">268143</a>	14,29 €	75	Air vent jet w. mesh, chrome	<a href="#">283070</a>	350,92 €
80	lever disc blue, 250SL from FN, 280SL	<a href="#">283710</a>	38,08 €	80	Control disc,late FN red	<a href="#">283011</a>	35,88 €
80	Control disc,late FN blue	<a href="#">283010</a>	38,98 €	80	lever disc smoke, 250SL from FN, 280SL	<a href="#">283712</a>	38,08 €
80	Control disc,late FNsmkd. gls.	<a href="#">283012</a>	35,88 €	80	lever disc red, 250SL from FN, 280SL	<a href="#">283711</a>	38,08 €
85	Red insert for escutcheons	<a href="#">183302</a>	3,99 €	85	Blue insert for escutcheons	<a href="#">183303</a>	3,95 €
85	Vent-symbol "black target"	<a href="#">883302</a>	4,47 €	86	Grommet, 4,5/10mm, cable@wheelarch	<a href="#">182005</a>	2,53 €
87	Rubber grommet 5/10 heating	<a href="#">298875</a>	0,40 €	90	Plastic lever, vent. @ dashb.	<a href="#">283819</a>	34,75 €
92	Knob, heater blower switch, Repro, optical shortcomings	<a href="#">282826</a>	68,29 €	92	Knob large, heater blower switch, Repro w.chrome nut	<a href="#">282726</a>	61,90 €
92	Knob small, heater blower switch, see picture	<a href="#">382826</a>	61,90 €	92	Knob,small,heater blower switch, see picture	<a href="#">382825</a>	61,90 €
92	A1108201592 Knob, heater blower switch	<a href="#">282026</a>	59,99 €	93	Knob, A/C-vent, green dot	<a href="#">382027</a>	52,30 €
93	Knob A/C Temp, blue dot	<a href="#">382028</a>	41,80 €	95	Bolt + crown nut + shim, wire to lever	<a href="#">283108</a>	11,95 €

## 88.b Chrome Parts, Outer Body

88.b Chrome Parts, Outer Body



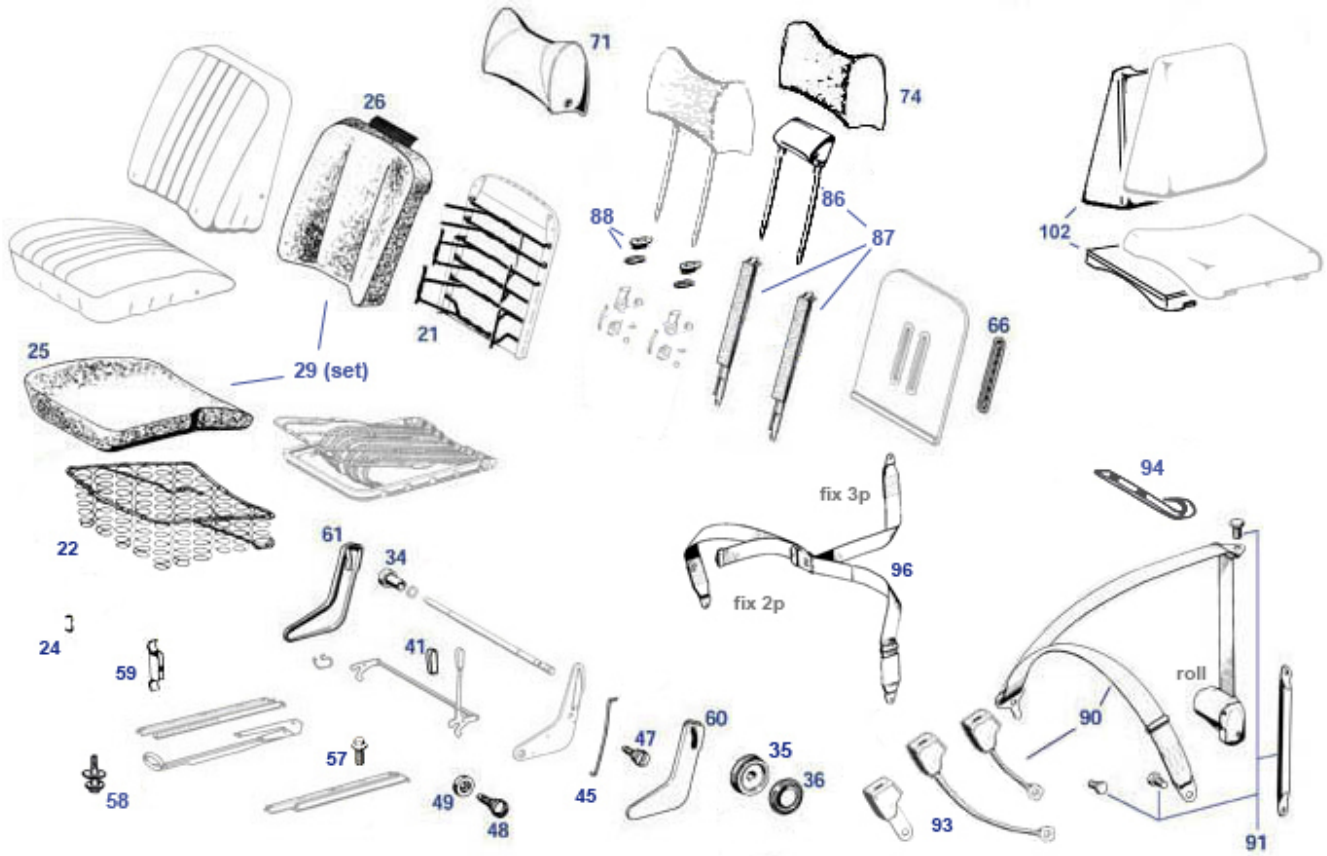
setcr	Set chrome trims 8-pcs, repro	<a href="#">269890</a>	1.289,60 €	Chrome Air intake ornamental mesh, Repr	<a href="#">283720</a>	731,22 €	
	Profile, bumperette, grey	<a href="#">189911</a>	9,21 €	threaded stainless spacer, roof trims	<a href="#">299789</a>	29,75 €	
frame	Chrome surround LH, taillight early	<a href="#">282132</a>	247,34 €	frame	Chrome surround RH, taillight early	<a href="#">282142</a>	247,34 €
frame	Chrome surround LH, taillight late	<a href="#">282152</a>	246,98 €	frame	Chrome surround RH, taillight late	<a href="#">282162</a>	246,98 €
setal	Set of 6 aluminum trims, Repro	<a href="#">269880</a>	759,71 €	2	complete screw set, chrome plated	<a href="#">299233</a>	399,90 €
2	Screw @ front grille, hi gloss chromed	<a href="#">188171</a>	1,61 €	2	Washer, chrome, high shape, fits up to 4mm screws	<a href="#">288013</a>	2,99 €
2	chromed nose frame REPRO	<a href="#">288111</a>	619,86 €	2	Nut, 5mm, right hand thread	<a href="#">199095</a>	0,24 €
2	Grille frame, Repro	<a href="#">288711</a>	702,10 €	2	Screw @ front grille	<a href="#">188071</a>	1,54 €
4	Dec. Strip, grille, Rt., Repro	<a href="#">288044</a>	239,99 €	4	Spring washer M5	<a href="#">299325</a>	0,11 €
4	Dec. Strip, grille, Lt. Repro	<a href="#">288033</a>	239,99 €	4	Pair dec. chrome rails in front grille, repro	<a href="#">288834</a>	279,65 €
5	Bolt M5x10,i.e. Star->Frame, industrial chrome finish	<a href="#">288048</a>	1,45 €	5	Washer, Star/frame	<a href="#">288047</a>	0,55 €
12	Washer, e.g. screws @ mesh	<a href="#">299045</a>	0,21 €	12	Metal screw 4,2x13 SW7   N007976004203	<a href="#">299044</a>	0,44 €
12	Radiator mesh, similar 1138800485, RH	<a href="#">288066</a>	243,49 €	12	Radiator mesh, similar 1138800385, LH	<a href="#">288055</a>	243,49 €
20	Screw for chrome strips	<a href="#">269164</a>	0,13 €	20	GarnishmouldgR113frtlt	<a href="#">269070</a>	204,14 €
20	Dec. strip, wing, front, Rt.	<a href="#">269080</a>	204,14 €	21	Dec. strip, R113 @ door, Lt, chromed brass	<a href="#">272250</a>	310,00 €
21	Dec. strip, R113 @ door, Rt., chromed brass	<a href="#">272260</a>	310,00 €	22	Dec. strip, rr,Rt.,before whl.	<a href="#">269120</a>	228,00 €
22	Dec. strip, rr,Lt.,before whl.	<a href="#">269110</a>	195,52 €	23	Dec. strip, rr,Lt., after whl.	<a href="#">269150</a>	308,16 €
23	Dec. strip, rear LH, after whl.	<a href="#">269251</a>	241,99 €	23	Dec. Strip, rear RH, after whl.	<a href="#">269261</a>	185,71 €
23	Dec. strip, rr,Rt., after whl.	<a href="#">269160</a>	308,16 €	24	1m Rubber profile @ heavy trims	<a href="#">272266</a>	8,33 €
31	Dec. strip, ALU R113 @ door RH, repro	<a href="#">272672</a>	99,00 €	32	Dec. strip ALU, Rt., rear, repro	<a href="#">269640</a>	70,00 €
33	Clip, dec. strip, plastic	<a href="#">269161</a>	1,55 €	33	"Clip"blue"f.aluminumtrim@w	<a href="#">269171</a>	2,92 €
34	Plug, for dec. Strip	<a href="#">272281</a>	0,86 €	35	Lock washer, alu. dec. strip	<a href="#">272283</a>	0,71 €
40	Dec.strip, below Eur-licence plate	<a href="#">269040</a>	81,99 €	41	Clip, licence strip	<a href="#">270689</a>	13,17 €



42	Clip, licence strip	<a href="#">298690</a>	5,52 €	43	Rivet, rear window drip strips	<a href="#">270691</a>	0,20 €
45	Trim RT, stainless steel, polished	<a href="#">269860</a>	107,99 €	45	Trim RT, brass chromed, fitment @ lock problem	<a href="#">269060</a>	103,51 €
45	Trim LT, stainless steel, polished	<a href="#">269850</a>	107,99 €	45	Trim LT, brass chromed, fitment @ lock problem	<a href="#">269050</a>	103,51 €
45	Pan head tapping screw 2,9X6,5 zinc plated	<a href="#">299049</a>	0,06 €	46b	Rubber profile, 1m rear lights, R113	<a href="#">282157</a>	8,22 €
46	Rubber profile, 1m, for 269050/060	<a href="#">269056</a>	8,22 €	47	Chrome cap B-pillar left 230SL up to 02.1966	<a href="#">269829</a>	243,95 €
47	Chrome cap B-pillar RH 230SL up to 02.1966	<a href="#">269839</a>	243,95 €	47	Flat headed screw M4x7 chrome	<a href="#">269243</a>	0,19 €
47	Chrome Cap B-pillar RT from 03.'66	<a href="#">269840</a>	285,66 €	47	Chrome cap B-pillar left, from 03.'66	<a href="#">269830</a>	285,66 €
50	Chrome Bumper repro frt. LH	<a href="#">288890</a>	305,24 €	51	Chrome Bumper Repro frt. RH covering frt bumpers, Chrome	<a href="#">288800</a>	305,24 €
52	Join plate, front bumper, REPRO	<a href="#">288110</a>	91,00 €	52	Licence plate underlay, fr./rear, s-steel polished, fits 520mm	<a href="#">288910</a>	150,00 €
53	Licence plate underlay, stainless steel, inner width 46cm	<a href="#">988788</a>	29,75 €	53	Bracket, front bumper, Lt./Rt.	<a href="#">588088</a>	11,90 €
54	Washer, No./Licence plate	<a href="#">188098</a>	2,82 €	55	Join plate screw M8 e.g. bumper joints	<a href="#">288815</a>	73,95 €
55	Bracket, front bumper, Lt./Rt.	<a href="#">288115</a>	106,64 €	56	dummy pin, chrome plated 22mm head	<a href="#">288105</a>	1,20 €
58	see 189911	<a href="#">189011</a>	8,29 €	58	Chrome Bumper Repro rr. LH.	<a href="#">988106</a>	2,62 €
58	dummy pin, chrome plated 12mm head	<a href="#">988105</a>	2,31 €	60	Chrome Bumper Repro rr. RH.	<a href="#">288830</a>	415,00 €
61	hex head screw M10 X 20, 10.9 zinc plated	<a href="#">235315</a>	1,40 €	61	Chrome Bumper Repro rr. RH.	<a href="#">288820</a>	415,00 €
62	Bracket, rear bumper, Lt./Rt.	<a href="#">288125</a>	153,61 €	62	Screw, bumper bracket	<a href="#">288816</a>	0,76 €
62	Washer 2mm, thick, exh-manif, bumpers .	<a href="#">214008</a>	0,56 €	62	Bracket, rear bumper, Lt./Rt.	<a href="#">288825</a>	96,90 €
62	Locking ring M10	<a href="#">299328</a>	0,38 €	65	Handle, chrome, trunk lid	<a href="#">275010</a>	160,00 €
66	Rbr underlay,boot lid handle 113,111,10	<a href="#">275011</a>	7,82 €	69	Type designation: 230SL	<a href="#">281020</a>	145,00 €
70	Type designation: 250SL	<a href="#">281021</a>	145,00 €	72	Type designation: Automatic	<a href="#">281025</a>	100,00 €
73	O-Ring blk rubber, eg Type signs	<a href="#">281027</a>	0,13 €	74	Clip, 'Automatic'	<a href="#">281024</a>	0,20 €
74	Clip, 230-280SL	<a href="#">281026</a>	1,18 €	80	Rear view mirror, Rt. early, B-quality	<a href="#">281040</a>	100,90 €
80	Rear view mirror, Lt. early, B-quality	<a href="#">281030</a>	101,45 €	81	Rubber pad mirror ->'67, fits L/R	<a href="#">281035</a>	2,34 €
82	Replacement glass, tinted	<a href="#">181026</a>	22,00 €	83	A0008110165 Replacement nylon bezel	<a href="#">181027</a>	14,70 €
84	Mirror head ->67, Repro, clear	<a href="#">181125</a>	47,10 €	85	Rear view mirror, Lt. late, B-quality	<a href="#">281050</a>	101,39 €
85	Rear view mirror, late, rt. B-quality	<a href="#">281060</a>	101,39 €	86	Mirror underlay "trapezoid" '67->	<a href="#">281855</a>	2,56 €
87	Mirror glass, flat, tinted, fits late m	<a href="#">281061</a>	23,80 €	88	Ring, glass retention, 1967-> (trapez)	<a href="#">281062</a>	16,66 €
89	Mirror head '67->, RH, quality deficits, Repro	<a href="#">281852</a>	32,50 €	89	Mirror head '67->, LH, quality deficits, Repro	<a href="#">281851</a>	42,00 €
90a	Hidden bracket, door mirror early	<a href="#">281057</a>	12,99 €	90	Hidden bracket, door mirror late	<a href="#">281056</a>	13,85 €

## 91 Seats

Seats: 03.'64 (230SL) the lower part of the seat was changed, 08.'66 (230SL) came a thicker backrest and with it the space for headrest mounts. For seat item requests, please send us a photo of the seat. Belts: 3-point roll-up belts are not planned in the body and are therefore an individual retrofit. There are various provider suggestions with advantages and disadvantages, we will be happy to advise you. Please plan the belt retrofit in good time, body work may be necessary. Without such conversions, the static belt can 299962 be used, which is available in different colors on request (delivery time).



bits	thread plate for belts	<a href="#">299985</a>	16,11 €	bits	bolt belt supports, 20-UNF 7/16X1-1/4	<a href="#">299979</a>	3,20 €
	Adjuster shaft (noteeth - version) 230SL	<a href="#">291253</a>	39,61 €		rubber buffer for bucket seat	<a href="#">191191</a>	33,32 €
bits	SL 107 Seat Belt Butler Holder Guide material PP, black	<a href="#">786150</a>	26,22 €	bits	Screw for belts	<a href="#">299990</a>	1,36 €
bits	Cover for belts	<a href="#">299989</a>	1,25 €	bits	Screw for belts	<a href="#">299988</a>	3,30 €
bits	Rod, 113 belt supp.reinf. see MB-hint	<a href="#">299987</a>	13,64 €	bits	Support, lower belt shackle->B-pillar	<a href="#">299986</a>	20,09 €
21	A1139100634 B'rest frame, mid. FN Lt.+R	<a href="#">291340</a>	289,99 €	22	seat spring core left	<a href="#">291210</a>	250,00 €
22	seat spring core right	<a href="#">291220</a>	250,00 €	24	100pcs Osborne hog clips	<a href="#">991981</a>	6,55 €
25	pad, rubber fibre, seat RH	<a href="#">291960</a>	267,75 €	25	Foam seat cushion LT (asym.)	<a href="#">291850</a>	184,45 €
25	Foam seat cushion rt. (asym.)	<a href="#">291860</a>	184,45 €	25	pad, rubber fibre, seat LH	<a href="#">291950</a>	267,75 €
26	Foam cushion backrest 113 late	<a href="#">291870</a>	170,00 €	26	pad, rubber fibre , backrest L or R	<a href="#">291940</a>	172,55 €
34	bushing, seat rest adjuster shafts	<a href="#">291832</a>	9,29 €	35	FN: 113.042 from ...002927 to ...012466	<a href="#">291831</a>	77,35 €
35	230SL up to VIN ...002926	<a href="#">291631</a>	155,00 €	36	230SL from VIN ... 012467	<a href="#">291636</a>	76,79 €
36	Cap, ca. 08.'65 -> , 110-113	<a href="#">291836</a>	49,99 €	36	cover, hand wheel, seats up to 07.'67, others	<a href="#">291639</a>	34,45 €
41	Knob, seat adjuster, black	<a href="#">291242</a>	23,80 €	41	Knob, ivory @ R113 seat adjuster	<a href="#">291243</a>	23,80 €
45	Bending spring on the backrest bracket on the right	<a href="#">298408</a>	13,76 €	45	flexible spring at backrest bracket left	<a href="#">298407</a>	13,76 €
47	bolt early seat 230SL, see picture	<a href="#">298406</a>	17,01 €	47	Screw, 'L' plate /backrest,	<a href="#">298701</a>	36,49 €
47	Upper Plastic Buffer Seat   A1139180096	<a href="#">298402</a>	6,99 €	47	Screw, 'L' plate /backrest,	<a href="#">298401</a>	40,81 €
48	Bolt as per illustration	<a href="#">298405</a>	40,81 €	48	Bolt M10, 32mm thread	<a href="#">298805</a>	42,70 €
49	Spacer ring, 'L' plate, stainless steel	<a href="#">298703</a>	18,87 €	49	Spacer ring, 'L' plate, steel, zined	<a href="#">298803</a>	19,37 €
57	Bolt, seat lower rail to support (floor structure)	<a href="#">299851</a>	9,09 €	59	Clamp for the seats W113 Pagode 230-280SL	<a href="#">291245</a>	18,64 €

60	Pair chrome covers, seat LH, late style	<a href="#">291247</a>	188,70 €	60	Pair chrome covers, seat RH, late styl	<a href="#">291248</a>	188,70 €
60	Pair chrome covers, seat LH, early styl	<a href="#">291232</a>	198,00 €	60	Pair chrome covers, seat RH, early styl	<a href="#">291233</a>	198,00 €
66	Mesh and ornamental frame, metal	<a href="#">291770</a>	285,60 €	66	Pair! Mesh and ornamental frame, plastic	<a href="#">291970</a>	163,49 €
71	Leather cover headrest 113, example: grey	<a href="#">293130</a>	130,90 €	74	rubber hair pad, head rest insert	<a href="#">291948</a>	160,65 €
74	Headrest foam insert w/o Attachments	<a href="#">291648</a>	72,59 €	74	Headrest foam insert w/o Attachments	<a href="#">291748</a>	58,31 €
78	oval eye, headrest rods	<a href="#">291843</a>	2,90 €	80	Raw frame and bracket, headrest retrofitting	<a href="#">291647</a>	740,00 €
90	Automatic 3pt belt R113 subsequent	<a href="#">299973</a>	105,90 €	90	Seat belt lock 22cm	<a href="#">299970</a>	23,80 €
90	Seat belt 3pt Aftermarket 22cm lock	<a href="#">299964</a>	68,89 €	93	Seat belt lock 30cm	<a href="#">299943</a>	23,80 €
93	Seat belt lock 45cm, requires fixture as manual 91.18	<a href="#">299944</a>	23,80 €	96	pelvic seat belt "static"	<a href="#">299968</a>	112,99 €
96	Seat belt "static" 3-point, black	<a href="#">299965</a>	84,75 €	96	Seat belt "static" 3-point, black, chrome lock	<a href="#">299962</a>	135,01 €
100	Leather for 3rd seat, e.g. black	<a href="#">293190</a>	499,80 €	102	rr seat framework + cushion	<a href="#">268875</a>	549,99 €

## 99.a Accessories

### 99.a Accessories



	wheel mounting aid, aluminium, 130mm, M12 X 1,5	<a href="#">740213</a>	14,25 €		Washer 13mm e.g. prop shaft disc bolts	<a href="#">741122</a>	0,50 €
	fly wheel extracting tool	<a href="#">258205</a>	308,20 €		Lift adapter 108-111-113	<a href="#">258610</a>	163,49 €
	Automatic-Antenna Auta 2050, new version, front mount	<a href="#">299935</a>	176,72 €		Wheel clamp, anti-theft "Nemesis"	<a href="#">940902</a>	261,80 €
	Wheel clamp, anti-theft	<a href="#">940901</a>	53,55 €		Knob, radio	<a href="#">254850</a>	32,00 €
	Support, Tire holder @ inner wheelarch	<a href="#">164058</a>	91,40 €		1 pair of tire protection underlay pads	<a href="#">940900</a>	52,00 €
	Tire jack holder 190SL	<a href="#">164043</a>	130,00 €		label: tire pressure W109	<a href="#">899951</a>	26,26 €
	Jack/tool support	<a href="#">164054</a>	126,00 €	1	Spare wheel holder	<a href="#">240015</a>	463,60 €
2	Wing screw 230SL FN	<a href="#">240006</a>	42,53 €	3	A3269900740 Washer, wing screw	<a href="#">240009</a>	16,54 €
6	N/A: Cone handle screw, horiz. spare tyre	<a href="#">240818</a>	100,00 €	6	Cone handle screw, horiz. spare tyre	<a href="#">240018</a>	115,00 €
7	Plate, spare tyre screw	<a href="#">240019</a>	65,55 €	7	Plate, spare tyre screw	<a href="#">240819</a>	69,62 €
9	A1158900014 Screwplate with offset lev	<a href="#">240014</a>	240,00 €	10	Tool bag without tools	<a href="#">258806</a>	48,79 €
10	leatherbag for chrome handle cognac	<a href="#">258804</a>	28,62 €	10	leatherbag for chrome handle red	<a href="#">258803</a>	28,62 €
10	leatherbag for chrome handle black	<a href="#">258802</a>	28,62 €	14	Wheel nut wrench, orig, latest version	<a href="#">259101</a>	23,50 €
15	wheel mounting aid, aluminium, 100mm, M12 X 1,5	<a href="#">740210</a>	12,95 €	15	Mounting bolt for tyre service, chromed	<a href="#">259809</a>	49,24 €
19	Safety wedge f. tyre service	<a href="#">258110</a>	286,20 €	30	25Amp fuse, short version, NOS	<a href="#">258991</a>	5,69 €
35	Vinyl covering, spare tyre (horiz-lev)	<a href="#">289889</a>	221,99 €	35	Staubfrei Handfeger Cotton, 35cm	<a href="#">999915</a>	49,99 €
40	Label set, 9 piece, self adh.	<a href="#">299950</a>	30,64 €	42	Gummed label, M130 Valve Cover	<a href="#">299953</a>	6,25 €

52	Book: Glenns MB Repair & Tune Up Guide	<a href="#">111301</a>	29,75 €	52	Book(german) MB190SL,230-280SL	<a href="#">211300</a>	59,38 €
52	Book "Ultimate Portfolio" SL'63-71	<a href="#">211308</a>	35,22 €	52	"Book:"Buyers Guide Pagoda", Brass"	<a href="#">211306</a>	26,18 €
55	Antenna insert 900mm	<a href="#">799970</a>	32,49 €	55	Antenna, manual, red knob	<a href="#">299967</a>	101,95 €
60	Wind mesh "Weyer" 230-280SL Pagoda	<a href="#">286805</a>	475,99 €	60	Wind mesh "Weyer" 230-280SL Pagoda, For vehicle with 3rd seat	<a href="#">286806</a>	265,00 €
60	Wind mesh "Weyer-Premium" 230-280SL Pagoda, premium quality	<a href="#">286807</a>	499,99 €	69	Speedo watch 280SL pagoda	<a href="#">299996</a>	169,99 €
69	Armbanduhr "Tacho-Design" Strich-Acht	<a href="#">599996</a>	169,99 €	70	Car cover W113, Pagode	<a href="#">299905</a>	269,15 €
70	Indoor Car Cover Premium, "L", grey	<a href="#">299909</a>	89,86 €	70	Car cover, W113, Pagoda, outdoor	<a href="#">299906</a>	355,81 €
70	Car cover "FirstClass",Sport large blue	<a href="#">799800</a>	153,51 €	80	1 pce Wing prot.cover, cotton, magnet	<a href="#">999922</a>	37,00 €
86	professional battery charger 10A	<a href="#">954090</a>	267,75 €	90	Battery main switch	<a href="#">954088</a>	26,00 €