

## Mercedes 300/500SL(R129 1.Ge)



SLS Import- und Export Handelsgesellschaft mbH

## Content

KE-Jetronic often required items	4
09, 14, 18 Eng.-Vent and Idle Air M112 nat-aspirated	5
09, 14, 18 Eng.-Vent and Idle Air R6 Motronic	6
13, 20 Water pump, belt driven components	7
13, 20 M103 Water pump, belt driven components	7
13, 20 M119.960 Water pump, belt driven components	7
15.a Maintenance Eng. M103.984 (300-12V)	9
15.c Maintenance Eng. M119.960 (500-32V)	11
25 Clutch, Flywheel, Gearbox	12
25 Clutch 129.060-5-Speed, Type "dual-mass"	12
27 Autobox W4A 040 (1.Gen)	13
29,30 Pedals, Clutch- and Acc	14
33.b Frt Axle Ctrl-arm, Generation 1	15
33.c Front axle standard damper and torsion bar	16
35 Rear Axle Mounts and Control Arms 1st Gen.	17
40 Wheels	19
41.a Drive Shaft / prop Shaft, 1st Gen	20
42 Brake	21
42.c most required brake parts 129.060 std (300SL)	21
46.a Steering Linkage frt.Axle	22
46.b Steerg.column LHD 1st gen	23
47.a Fuel Supply	24
49.a Exhaust from Cat, 1.Generation/1.Series	26
50 Cooling System	27
50 a. Radiator and Hoses 1st Gen (up to '93)	27
60, 61, 54 Plugs, grommets, fasteners	28
67 Windscreen	29
67.c Windscreen frame, mirror, sunvisor	30
68.b Insulation Eng.Compartment, Windshield	31
69 Mounting of side panelling	32
72.a Door, Seals	33
75 Boot Lid, Softtop Box Lid	34
77 Softtop	35
77.a Softtop, first generation	35
77.c Hydraulic cylinders	35
79 Hardtop	37
82.a Lighting Equipmt. Euro/Std.	38
82, 86 Wash Wipe, Wscreen+Headlights, Gen.1	39
83 Heater, Blower, A/C	40
83.a Blower & Housing 1.Generation	40
99 Accessories	41

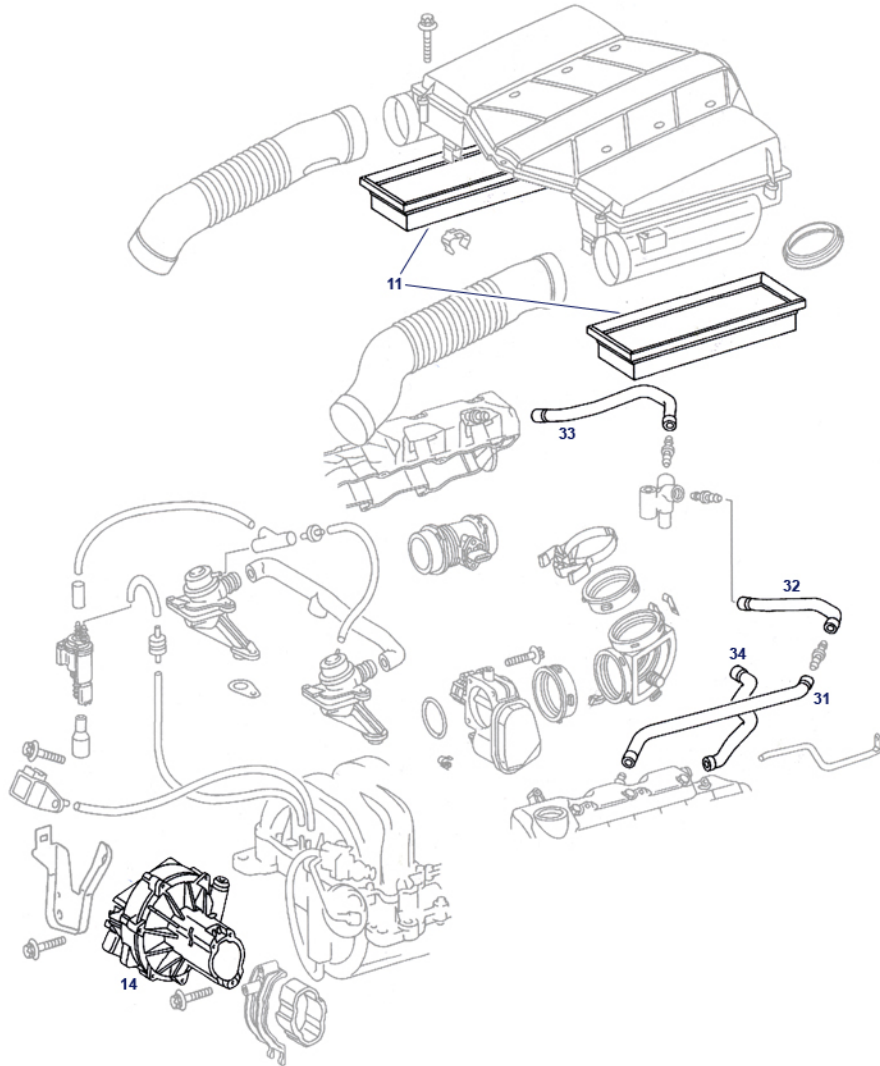
Jacobsrade 27 · D-22962 Siek  
Tel. +49(0)40 656 939-0 · Fax +49(0)40 656 939-399  
I-net: [www.sls-hh.de](http://www.sls-hh.de) · e-mail: [service@sls-hh.de](mailto:service@sls-hh.de)

## KE-Jetronic often required items

Sealing ring ID8, eg. for hollow screw	<a href="#">220011</a>	0,65 €	throttle flap spring	<a href="#">730317</a>	5,40 €
Gasket set valve cover 300-24 M104	<a href="#">901321</a>	38,37 €	Temp. sender unit, 4-Pole, KE-Jet / EZL	<a href="#">954396</a>	26,85 €
housing, lower KE flap rubber housing	<a href="#">914330</a>	45,45 €	hose between valves, controlv.return check	<a href="#">914318</a>	10,00 €
Luftfiltereinsatz M104/R129 "300-24V"	<a href="#">909402</a>	65,49 €	Air filter element R129 280/320, (R6-LH-Mo)	<a href="#">909400</a>	31,93 €
hose, KE collector to IAC valve .061	<a href="#">909309</a>	20,23 €	jap, e.g. Vac tubes	<a href="#">780979</a>	0,63 €
Rbr buffer M6	<a href="#">714098</a>	5,70 €	Washer 6.4 large, yellow zincd	<a href="#">299276</a>	0,18 €
Seal ring, below filter box	<a href="#">709328</a>	7,77 €	Pressure regulator	<a href="#">707580</a>	665,21 €
Threaded fitting w. filter	<a href="#">707478</a>	5,70 €	Seal ring eg K-Jet press contr.unit	<a href="#">707369</a>	2,05 €
Seal ring KE-injectors eg. M103/104 FN	<a href="#">707335</a>	0,76 €	Thermo switch, idle M116 US	<a href="#">707326</a>	103,40 €
Seal ring under K-jet control housing	<a href="#">707298</a>	0,81 €	Injector 420SL, 500 from M.964, 560	<a href="#">707104</a>	73,04 €
Seal ring, sump plug	<a href="#">299303</a>	0,33 €	Idle air control valve KE M103/104... "Löwe"	<a href="#">707828</a>	99,96 €

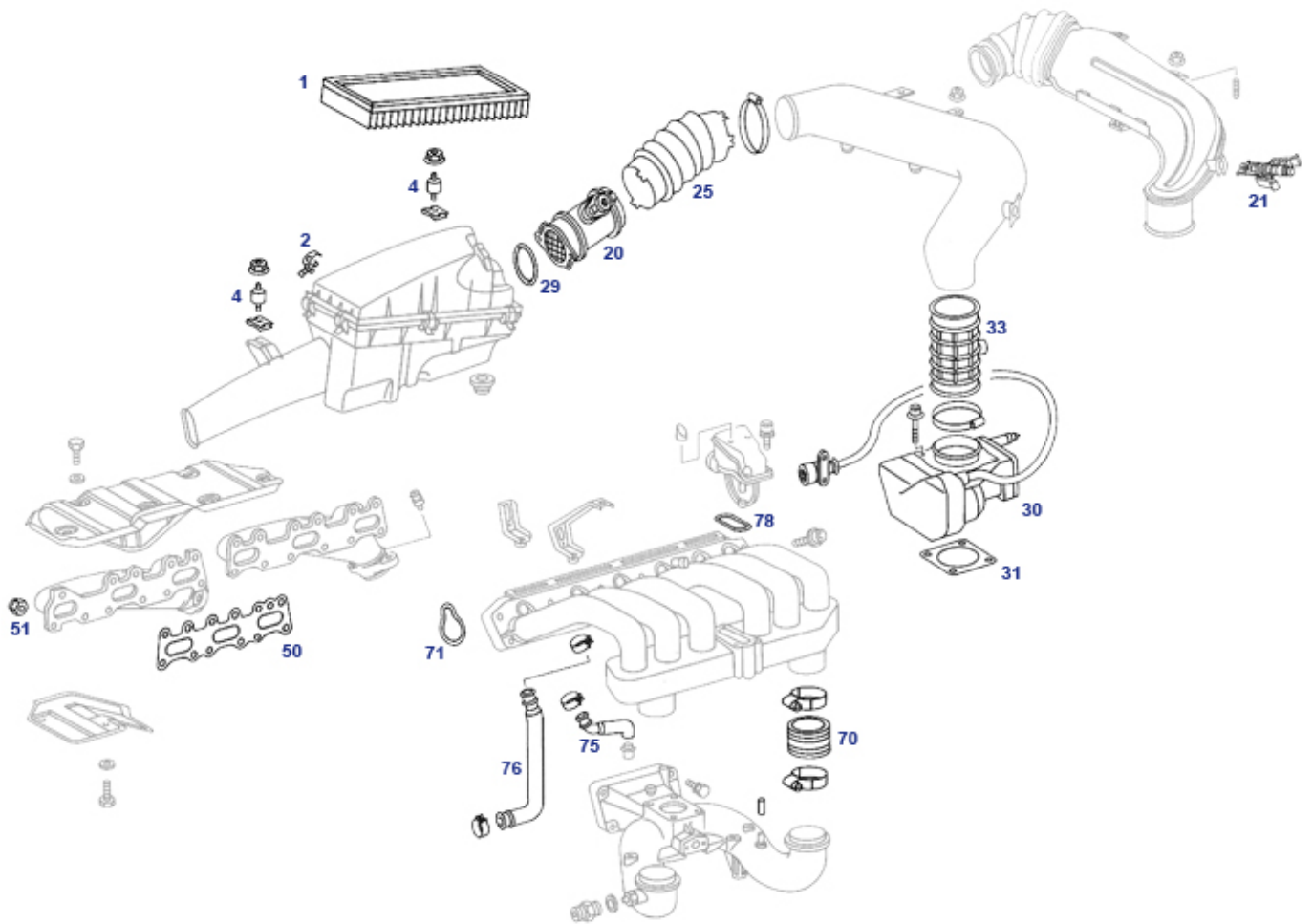
## 09, 14, 18 Eng.-Vent and Idle Air M112 nat-aspirated

09, 14, 18 Air intake M112 (nat-aspirated), vent, idle



11	airfilter-set for M112/113/R129	<a href="#">909407</a>	49,34 €	31	Hose idle, M112.94x	<a href="#">R2918301</a>	9,52 €
32	Hose idle, M112.94x	<a href="#">R2918302</a>	8,93 €	33	Hose idle, M112.94x	<a href="#">R2918303</a>	11,31 €
34	Hose idle, M112.94x	<a href="#">R2918304</a>	12,50 €	81	Vacuum pipe, 2/4mm,per mtr	<a href="#">215027</a>	1,82 €
82	Pipe, vacuum, per mtr.	<a href="#">715027</a>	5,12 €	83	Vac hose, 'L'-connector, 3mm	<a href="#">707182</a>	3,87 €

## 09, 14, 18 Eng.-Vent and Idle Air R6 Motronic

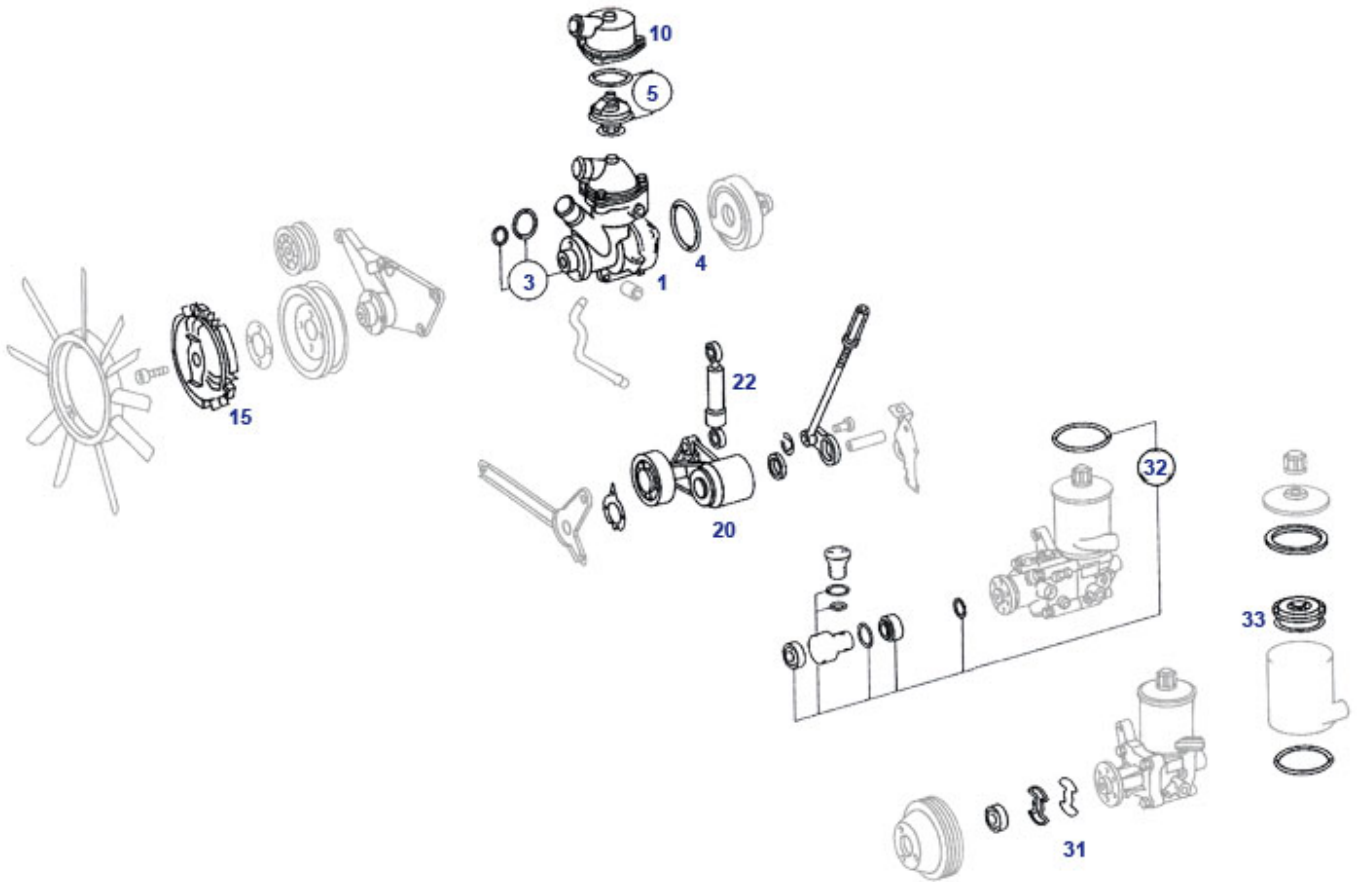


	Vacuum pipe, 2/4mm,per mtr	<a href="#">215027</a>	1,82 €		hose, IAC-valve to distrib.-hose M104(980/1)	<a href="#">909311</a>	20,59 €
	Ign.coil for 2 sparks, e.g. M112, Bosch	<a href="#">954733</a>	63,82 €		Injector	<a href="#">907104</a>	87,55 €
	Sender, crankshaft position	<a href="#">R7015265</a>	45,87 €		Gasket set valve stem 300-24 M104	<a href="#">905321</a>	19,19 €
	Gasket set valve cover 300-24 M104	<a href="#">901321</a>	38,37 €		el. coupling 2-pole, e.g. injectors	<a href="#">907126</a>	3,53 €
	Sealing ring ID8, eg. for hollow screw	<a href="#">220011</a>	0,65 €		Luftfiltereinsatz M104/R129 "300-24V"	<a href="#">909402</a>	65,49 €
	hose between valves, controlv.return check	<a href="#">914318</a>	10,00 €		1 mtr vacuum hose	<a href="#">780985</a>	3,39 €
	Vac hose conn. w.reducer	<a href="#">707187</a>	4,78 €		Washer 6.4 large, yellow zincd	<a href="#">299276</a>	0,18 €
	Y-connector, unfinished: open channels as req.	<a href="#">707180</a>	4,01 €		Vac hose, 'L'-connector, 3mm	<a href="#">707182</a>	3,87 €
	jap, e.g. Vac tubes	<a href="#">780979</a>	0,63 €		Vac connecting hose	<a href="#">707184</a>	4,17 €
	Sender, camshaft position, Hella	<a href="#">915263</a>	44,49 €		Seal ring, below filter box	<a href="#">709328</a>	7,77 €
	PA Tube 6x1	<a href="#">715026</a>	4,86 €		Pipe, vacuum, per mtr.	<a href="#">715027</a>	5,12 €
1	Air filter element R129 280/320, (R6-LH-Mo)	<a href="#">909400</a>	31,93 €	4	Rubber mount e.g. Airbox at wheelarch 129.058	<a href="#">909406</a>	2,20 €
20	Air mass meter 280/320, Löwe	<a href="#">909354</a>	70,95 €	20	Air mass meter 280/320, Bosch	<a href="#">909254</a>	189,00 €
21	Temp sender	<a href="#">954295</a>	20,10 €	21	Temp sender Hella	<a href="#">954296</a>	19,58 €
31	Dichtung, Saugrohr M104, 111, ...	<a href="#">914012</a>	1,48 €	33	Hose Compare-No: A1041410990	<a href="#">914320</a>	29,80 €
50	Gasket per 3 exhaust channels	<a href="#">914280</a>	7,31 €	51	Nut M8, copper, hex, with collar	<a href="#">614008</a>	0,99 €
70	hose manifolds M104	<a href="#">914316</a>	29,75 €	71	Seal ring	<a href="#">914011</a>	6,90 €
75	Hose Compare-No: A1040943682	<a href="#">909211</a>	10,59 €	76	Hose Compare-No: A1040943582	<a href="#">909209</a>	6,95 €

## 13, 20 Water pump, belt driven components

### 13, 20 M103 Water pump, belt driven components

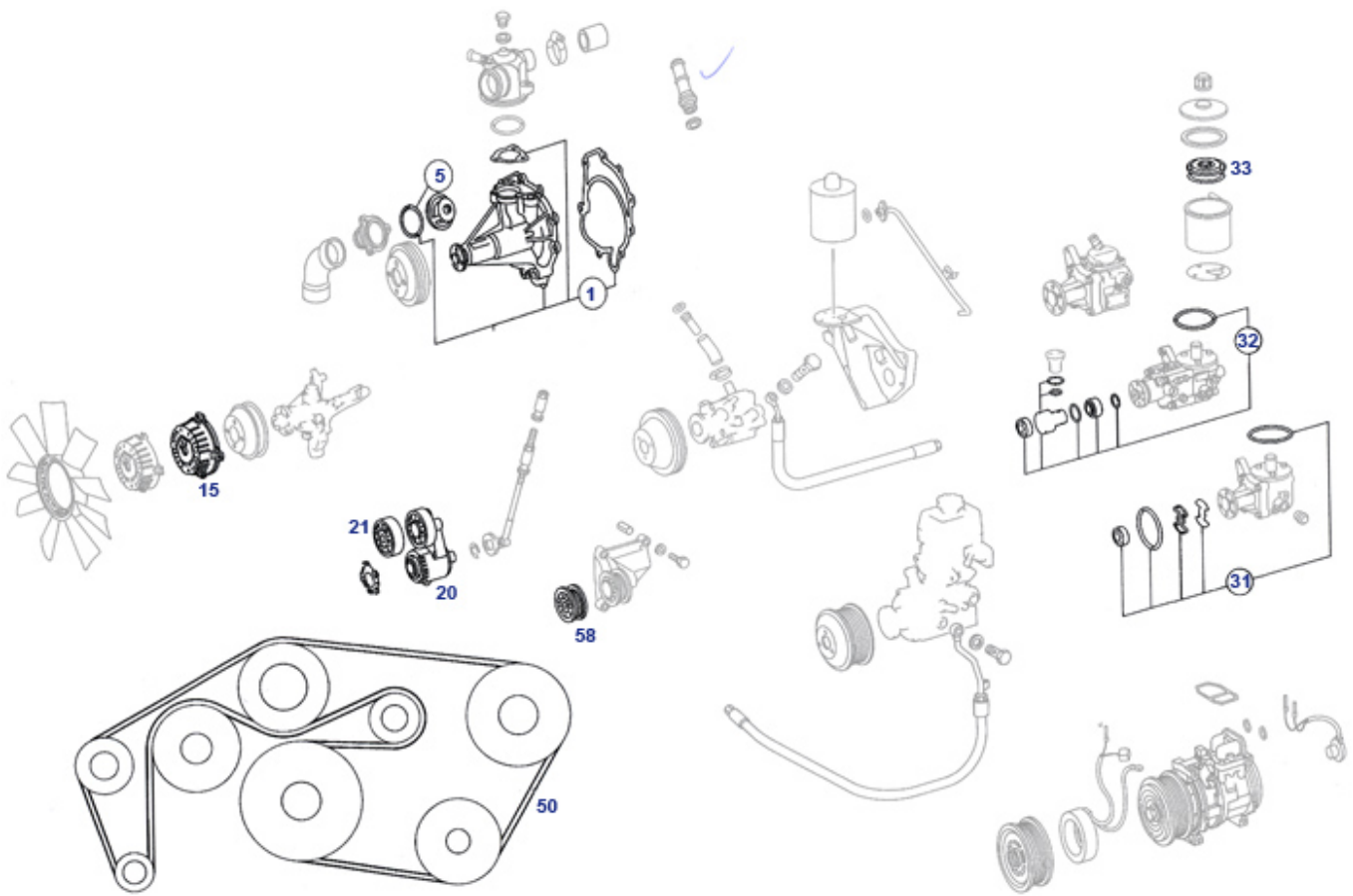
13, 20 M103 Water pump, belt driven components



	Support base with reroute pulley	<a href="#">920835</a>	104,95 €			Temp. sender unit, 4-Pole, KE-Jet / EZL	<a href="#">954396</a>	26,85 €
o-ring	Seal ring M103... water pump to engine	<a href="#">920311</a>	1,36 €	1		Waterpump 300SL manuell gear box	<a href="#">720027</a>	155,00 €
1	Water hose, thermostate->head e.g. 129.060	<a href="#">950304</a>	5,95 €	5		Thermostate element 280SL/C+300SL 87°	<a href="#">720008</a>	21,00 €
10	Hollow screw, air venting	<a href="#">220010</a>	2,48 €	10		Banjo fitting, norm, fits M8	<a href="#">920317</a>	3,88 €
10	Thermostate housing, Alloy, w.hole	<a href="#">720314</a>	13,60 €	10		Plug screw M8 x 1	<a href="#">720319</a>	1,64 €
10	Sealing ring ID8, eg. for hollow screw	<a href="#">220011</a>	0,65 €	15		Fan clutch 300SL/ R129, some M104, ..	<a href="#">920400</a>	139,00 €
15	Fan clutch 300SL/ R129, some M104, ..., NoName	<a href="#">920300</a>	45,22 €	15		Thermo switch 95/90° M14, see pict.univ	<a href="#">907163</a>	17,85 €
20	Roll w.support, belt tensioner M103 FEB	<a href="#">920101</a>	184,45 €	20		Roll w.support, belt tensioner M103	<a href="#">920801</a>	125,14 €
22	Damper, belt tensioner, (gas spring), Stabilus	<a href="#">920131</a>	44,09 €	23		bolt, tesioner, M103 with 920101	<a href="#">920136</a>	22,49 €
31	Gasket set, PWS-pump, (pump-number required!)	<a href="#">946105</a>	30,17 €	33		Filter, pwsteerg.pump e.g. M117-119, ...	<a href="#">799022</a>	19,64 €
50	Rippenriemen 2415mm, zB103 Klima+LuPu	<a href="#">999101</a>	59,99 €	50		Rippenriemen 2330mm, zB 103 m.LuPu o.KI	<a href="#">999104</a>	65,00 €
50	Ribbed fan belt 2175mm, e.g. M103 no A/	<a href="#">999106</a>	55,99 €	50		Ribbed fan belt 2257mm, e.g. 103 A/C	<a href="#">999108</a>	49,99 €

### 13, 20 M119.960 Water pump, belt driven components

13, 20 M119.960 Water pump, belt driven components

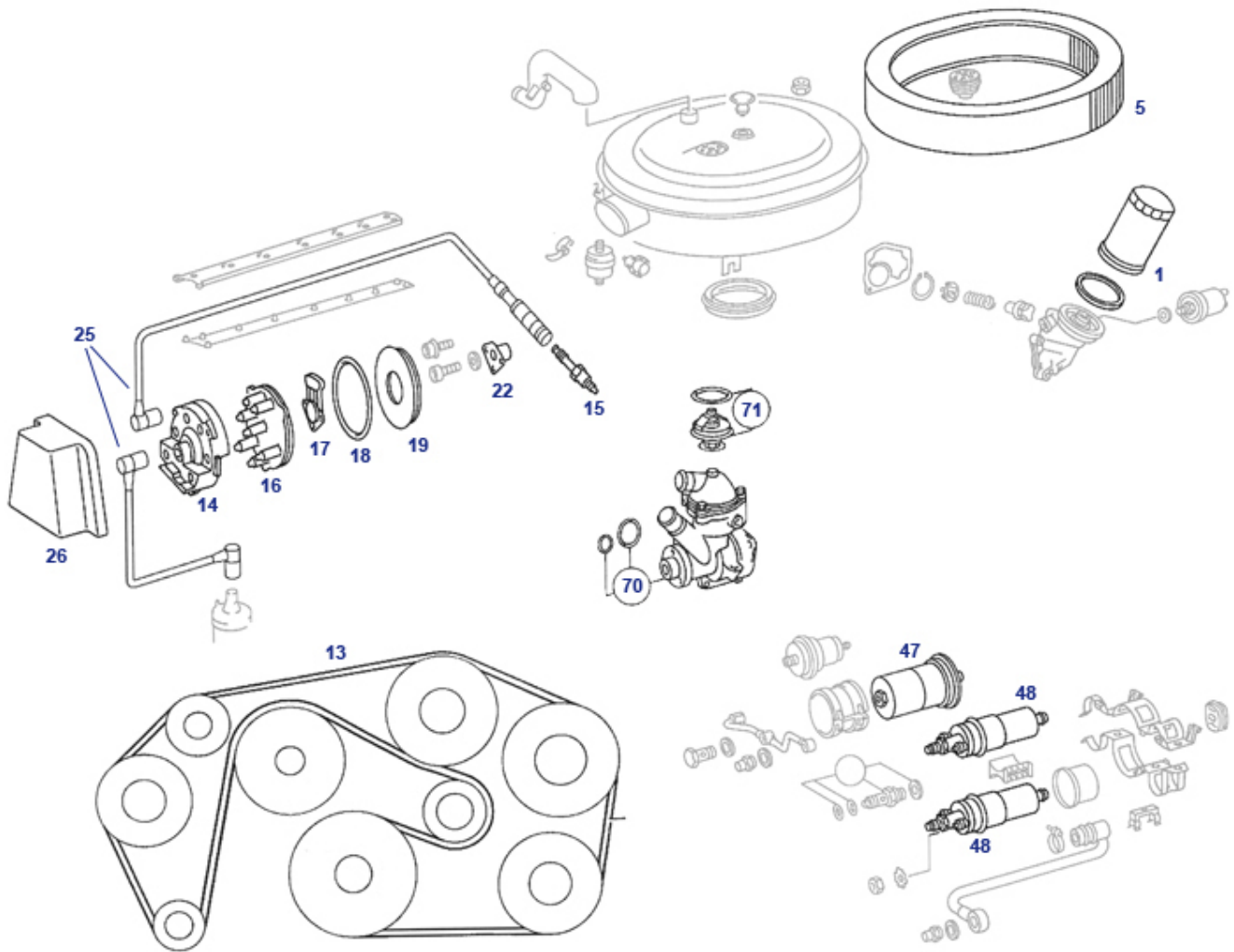


	Roll, belt guide / tensioner	<a href="#">920832</a>	21,16 €		Belt tensioner e.g. 129.066	<a href="#">920802</a>	95,34 €
	Roll, belt guide/tensioner	<a href="#">920830</a>	21,16 €		Gasket set, pws pumps 210 466 0501+1901+2001+..	<a href="#">946107</a>	8,75 €
	gasket set PWS pumps 1404665001, others	<a href="#">R2946106</a>	28,44 €	1	Water pump e.g. 119.960,	<a href="#">920025</a>	190,00 €
5	Thermostate element 420-500SL/SE 80°C	<a href="#">720011</a>	26,00 €	15	Fan clutch e.g. 119.960, MEYLE	<a href="#">920500</a>	461,24 €
20	Belt tensioner e.g. 129.066, FEBI	<a href="#">920102</a>	184,45 €	21	Roll, belt guide / tensioner	<a href="#">920132</a>	29,75 €
31	Gasket set, PWS-pump, (pump-number required!)	<a href="#">946105</a>	30,17 €	50	Belt 2176mm	<a href="#">999107</a>	45,83 €
50	Belt, 2523mm	<a href="#">999109</a>	57,37 €	58	Roll, belt guide/tensioner	<a href="#">920130</a>	35,70 €



# 15.a Maintenance Eng. M103.984 (300-12V)

15.a Maintenance Eng. M103.984 (300-12V)



	Oil filler cap,plastic/snap on	<a href="#">250102</a>	4,88 €		Starter solenoid 300SL	<a href="#">715302</a>	51,59 €
	RPM Sensor e.g. 103, 104, pls eng.-data	<a href="#">915364</a>	128,00 €		Roll, belt guide/tensioner	<a href="#">920830</a>	21,16 €
	Hydraulic element "INA" 300SL Valves, M102...	<a href="#">705948</a>	19,58 €		Sealing ring injection nozzle, top and bottom matching	<a href="#">907215</a>	0,36 €
	Distrib.cap e.g. 300SL-24 M104 up to FN, Bosch	<a href="#">915307</a>	144,61 €		Roll, belt guide/tensioner	<a href="#">920134</a>	18,45 €
	Starter 300SL new	<a href="#">715300</a>	515,87 €		Seal ring, fits plastic oil filler caps, 47 x 59 x 2,5	<a href="#">701356</a>	2,24 €
	hub front, crankshaft M103,M104, ..	<a href="#">703358</a>	24,99 €	1	Oilfilter 300SL/M103, M102, ...	<a href="#">718041</a>	9,76 €
5	Air filter M103/R129, MANN	<a href="#">909401</a>	21,67 €	13	Mann		
13	Ribbed fan belt 2175mm, e.g. M103 no A/	<a href="#">999106</a>	55,99 €	13	Ribbed fan belt 2257mm, e.g. 103 A/C	<a href="#">999108</a>	49,99 €
13	Rippenriemen 2415mm, zB103 Klima+LuPu	<a href="#">999101</a>	59,99 €	13	Rippenriemen 2330mm, zB 103 m.LuPu o.Kl	<a href="#">999104</a>	65,00 €
15	Sparkplugs 300SL (Beru "8")	<a href="#">715820</a>	3,26 €	14	Sleeve above distributor cap M103	<a href="#">715325</a>	13,90 €
16	Distributor cap 300SL	<a href="#">715206</a>	175,00 €	15	Spark plug Bosch HR8 DC +, e.g. 300SL/107 Euro	<a href="#">715220</a>	4,91 €
18	Sealing ring, dist cap, 300SL	<a href="#">715319</a>	4,19 €	17	Rotor arm 300SL (M103), BOSCH	<a href="#">715314</a>	84,49 €
22	Flange, M103 distributor rotor	<a href="#">715329</a>	26,60 €	19	Deckel hinter Verteilerläufer 300SL	<a href="#">715326</a>	87,45 €
48	Grommet for Fuel Pump Wiring	<a href="#">299018</a>	2,53 €	47	Fuel filter D 81mm, all from '85->	<a href="#">747701</a>	62,30 €
48	Rest: Bosch Fuel Pump 0 580 464 125	<a href="#">747007</a>	148,75 €	48	Fuel pump e.g. KE-types , Pierburg	<a href="#">747047</a>	219,50 €
71	Banjo fitting, norm, fits M8	<a href="#">920317</a>	3,88 €	70	Waterpump 300SL manuell gear box	<a href="#">720027</a>	155,00 €
				71	Thermostate housing, Alloy, w.hole	<a href="#">720314</a>	13,60 €

71	Thermostate element 280SL/C+300SL 87°	<a href="#">720008</a>	21,00 €	98	Hydraulic element "LASO" 300SL Valves, M102...	<a href="#">705048</a>	15,78 €
98	Gasket for exh-channel M103 cyl 6 (3-bolt)	<a href="#">614391</a>	4,07 €	98	Gasket per exh-channel M103 cyl 1 - 5 (2-bolt)	<a href="#">614390</a>	4,07 €
98	Oil filter z.B.M112,113.961 ... NoName	<a href="#">918742</a>	15,15 €	98	Kit, timing chain V-engines, div. M112+113	<a href="#">905280</a>	345,10 €
98	Kit, timing chain 3.0 "Simplex"	<a href="#">705308</a>	160,65 €	98	Ign.coil for 2 plugs, e.g. M104, Bosch	<a href="#">954032</a>	65,45 €
98	Oil filter e.g. M104 .. NoName	<a href="#">918741</a>	8,21 €	98	Oil Filter e.g. M112, 113.961.. MANN	<a href="#">918042</a>	18,58 €
98	Oil filter e.g. M104, ... MANN	<a href="#">918041</a>	10,28 €	98	Oil filter div. M119 MANN	<a href="#">918043</a>	11,78 €

## 15.c Maintenance Eng. M119.960 (500-32V)

Oil filler cap,plastic/snap on	<a href="#">250102</a>	4,88 €	Belt 2176mm	<a href="#">999107</a>	45,83 €
Bracket for Rotor in Distributors, zB 119.960, ..	<a href="#">915540</a>	42,83 €	Thermostat 87°C e.g. M120.983, others	<a href="#">R2920211</a>	70,56 €
Engine mount, front, e.g.129.066/067, FEBI	<a href="#">922013</a>	54,98 €	Chain tensioner e.g. 119.960, FEBI	<a href="#">905332</a>	107,10 €
Solenoid, cam adjuster M104,M119, .. Pierburg	<a href="#">905354</a>	95,00 €	Roll, belt guide / tensioner	<a href="#">920832</a>	21,16 €
Belt tensioner e.g. 129.066	<a href="#">920802</a>	95,34 €	Seal ring, cam shaft adjuster	<a href="#">905218</a>	1,36 €
ignition distributor repair kit	<a href="#">907124</a>	26,99 €	pin, guide rails, lower left, at alloy V8 engines	<a href="#">705814</a>	14,39 €
Regulator, fits 100A Generator, e.g. 119.960	<a href="#">915472</a>	23,21 €	Kit, timing chain 5.0 M119.960	<a href="#">905500</a>	437,68 €
pipe camshaft oiler M119, Aluminum	<a href="#">905543</a>	19,99 €	Roll, belt guide / tensioner	<a href="#">920132</a>	29,75 €
Seal ring, fits plastic oil filler caps, 47 x 59 x 2,5	<a href="#">701356</a>	2,24 €	Belt tensioner e.g. 129.066, FEBI	<a href="#">920102</a>	184,45 €
Water pump e.g. 119.972/982...	<a href="#">920026</a>	80,92 €	Water pump e.g. 119.960,	<a href="#">920025</a>	190,00 €
Oil filter div. M119 MANN	<a href="#">918043</a>	11,78 €	Distributor cap, 1pce, e.g. M119, Bosch	<a href="#">915507</a>	210,80 €
LiMa Regler zB 119.960	<a href="#">915482</a>	85,69 €	Spark plug Bosch FR7 DC+, e.g. 500SL 32	<a href="#">915219</a>	3,80 €
Luftfiltereinsatz M119/R129	<a href="#">909404</a>	15,20 €	Ign. coil 300SDL (107/129) no-name-bran	<a href="#">754883</a>	47,99 €
Ign. coil 300SL(107/129), ... , BOSCH	<a href="#">754023</a>	151,00 €	Fuel filter D 81mm, all from '85->	<a href="#">747701</a>	62,30 €
Thermostate element 420-500SL/SE 80°C	<a href="#">720011</a>	26,00 €	Carbon brush set for alt. 70A, 100A, ..	<a href="#">715383</a>	5,44 €

## 25 Clutch, Flywheel, Gearbox

Engine mount front

[922910](#)

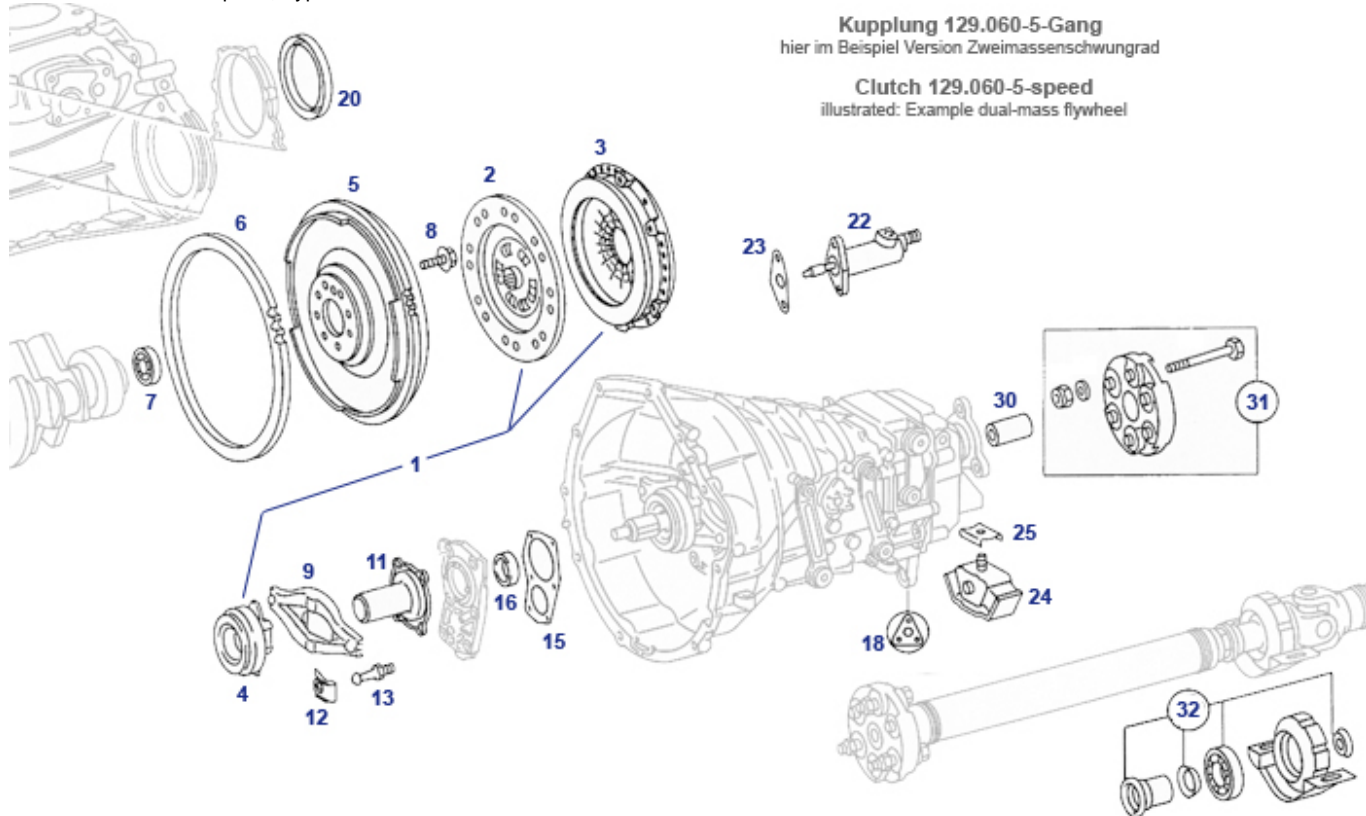
149,35 €

Transmission mount see pict, FEBI, [922922](#)  
124 div.

34,51 €

### 25 Clutch 129.060-5-Speed, Type "dual-mass"

25 Clutch 129.060-5-Speed, Type "dual-mass"



**Kupplung 129.060-5-Gang**  
hier im Beispiel Version Zweimassenschwungrad

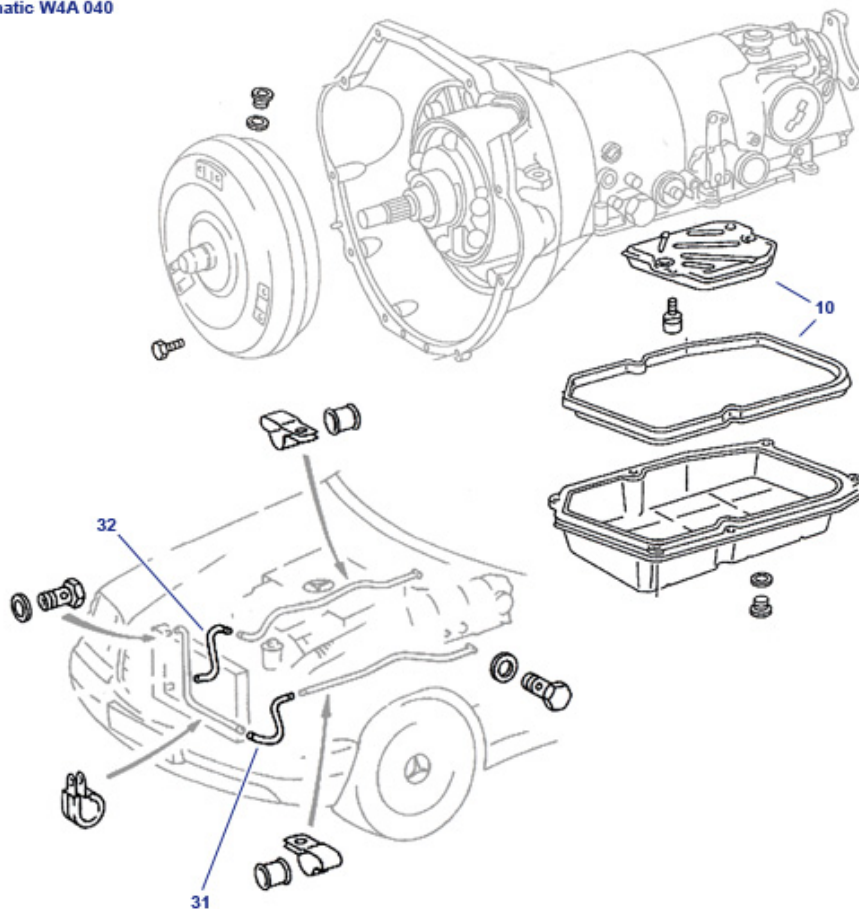
**Clutch 129.060-5-speed**  
illustrated: Example dual-mass flywheel

Rep.-Satz Nehmerzylinder	<a href="#">729033</a>	39,27 €		Repr.kit,cardan disc	<a href="#">741003</a>	77,50 €
Bushing prop shaft 4.gen	<a href="#">741041</a>	38,68 €		Clutch release bearing 300SL-R129 (M103+5speed)	<a href="#">925004</a>	41,47 €
Clutch master cyl. some 129, some 170	<a href="#">R2929104</a>	40,70 €	1	Kupplungs-Rep.-Satz zB 300SL ZMS	<a href="#">925100</a>	255,85 €
2 Kupplungsscheibe zB 129.060	<a href="#">925000</a>	212,42 €	3	Kupplungsdruckplatte zB 129.060	<a href="#">925002</a>	176,00 €
4 Ausrücklager zB 129.060, 170.435	<a href="#">925014</a>	43,70 €	5	Zweimassenschwungrad zB 129.060, 061	<a href="#">903360</a>	612,85 €
6 Starter ring gear, manual, engines 103, 111, ..	<a href="#">703201</a>	61,67 €	16	Seal ring input shaft eg G717 5-sp	<a href="#">926042</a>	14,35 €
20 Seal crankshaft rear, standard (no-rep), M103,111	<a href="#">705347</a>	15,46 €	20	Crankshaft rr seal M103/104 Rep-design	<a href="#">705348</a>	36,76 €
22 Clutch slave cylinder	<a href="#">929001</a>	35,05 €	24	Transmission mount see pict, FEBI, 124 div.	<a href="#">922922</a>	34,51 €

## 27 Autobox W4A 040 (1.Gen)

27 Autobox W4A 040 (1.Gen)

Automatic W4A 040



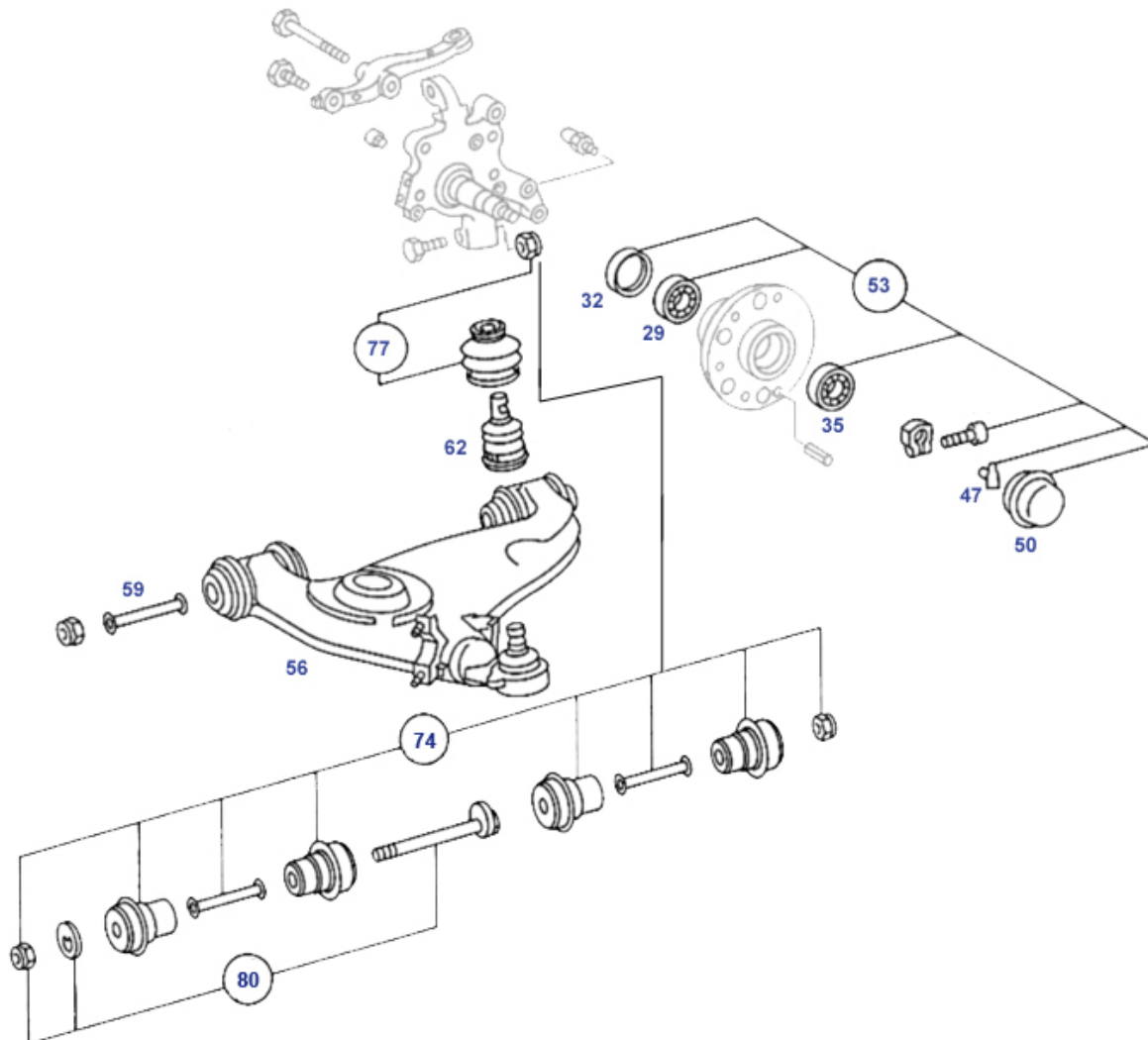
	Oil pan Autm. several W5A types	<a href="#">927507</a>	85,00 €		locking pin, fits level tube Autom. 722.6 ...	<a href="#">927580</a>	2,80 €
	Set universal leveler rod, oil Autom. 722.6 ..	<a href="#">927581</a>	29,44 €		oil seal output shaft, 42 X 62 X 8	<a href="#">R2927040</a>	10,06 €
9	Seal ring 10x13,5, Alu, e.g. sender, hollow bolts	<a href="#">227023</a>	0,50 €	9	Drain plug Automatic M10x1 Inhex	<a href="#">927582</a>	5,83 €
10	Autm gearbox filter,03,1980>without seal	<a href="#">727004</a>	24,28 €	10	Gasket, Autm Oil pan from ca. 03.'80, from 722.3..	<a href="#">727304</a>	6,50 €
10	Autm.- oil filter	<a href="#">927004</a>	35,20 €	10	Autm filter+gasket e.g. W5...	<a href="#">927005</a>	16,39 €
31	Autm.-oil hose, 107.041 Left side, 129.060	<a href="#">727012</a>	52,99 €	38	Hollow screw, M14 x 1,5	<a href="#">207276</a>	4,66 €
39	Seal ring 14x20x1,5 copper, e.g. oilpan	<a href="#">799306</a>	0,36 €	41	Grommet for oilpipe, autom.	<a href="#">227059</a>	2,96 €

## 29,30 Pedals, Clutch- and Acc

Pedal rubber brake "wide" (Autom)	<a href="#">729005</a>	10,79 €	Rep.-Satz Nehmerzylinder	<a href="#">729033</a>	39,27 €
rubber, brake pedal "wide" (Autom.)	<a href="#">729805</a>	6,05 €	Clutch slave cylinder	<a href="#">929001</a>	35,05 €
Rubber, pedal, clutch	<a href="#">929005</a>	3,45 €	A1244270382 Rubber, parking	<a href="#">942090</a>	6,90 €
brake light swich, 4-pole, see illustration	<a href="#">554019</a>	17,50 €	brake pedal LHD.. gasket firewall/brake booster, self- adhesive	<a href="#">743026</a>	7,74 €
Clutch master cyl. some 129, some 170	<a href="#">R2929104</a>	40,70 €	brake pedal rubber small version for manual transm. cars	<a href="#">929008</a>	10,50 €

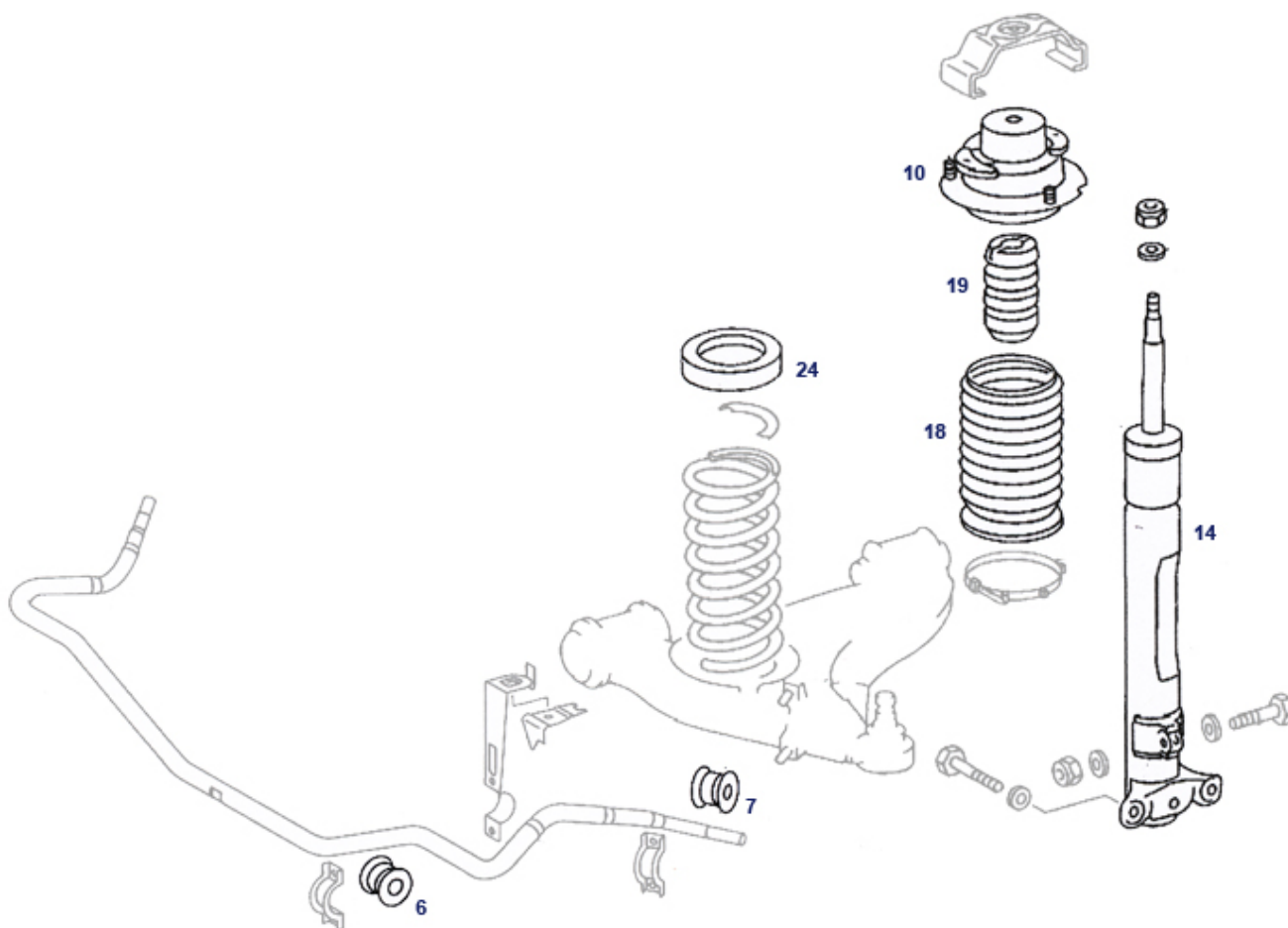
## 33.b Frt Axle Ctrl-arm, Generation 1

33.b Frt Axle Ctrl-arm, Generation 1



	Dome mount SL 300+24; SL 500; also 124-4 matic	<a href="#">932860</a>	29,96 €		Tie rod end	<a href="#">233991</a>	28,99 €
	Spurstangenkopf, Rechtsgewinde	<a href="#">233992</a>	27,00 €		Locking nut, bearing stud div.	<a href="#">933077</a>	7,30 €
	Nut	<a href="#">999804</a>	0,95 €	more	Spring dome mount e.g. SL300+24, SL500	<a href="#">932060</a>	79,99 €
more	Buffer, frt damper	<a href="#">932080</a>	10,23 €	32	Seal ring e.g. frt wheel bearg 129.060	<a href="#">933082</a>	10,92 €
47	Contact	<a href="#">233078</a>	3,38 €	50	Cap, wheel bearing hub '85->	<a href="#">733079</a>	1,06 €
53	Set frt wheel bearg. R129 FN, SKF	<a href="#">933081</a>	22,76 €	56	Swinging arm, lo.lt. 129+124 FN	<a href="#">933047</a>	155,00 €
56	Querlenker unten rechts 124+129FN	<a href="#">933107</a>	155,00 €	62	Knuckle jt. R/C107 lr. fr. 9.85	<a href="#">733111</a>	29,50 €
74	Rep kit frt ctrl arm inner lower	<a href="#">933030</a>	58,31 €	74	Rep-kit ctrl arm lower inner R129 FN	<a href="#">933031</a>	86,50 €

### 33.c Front axle standard damper and torsion bar

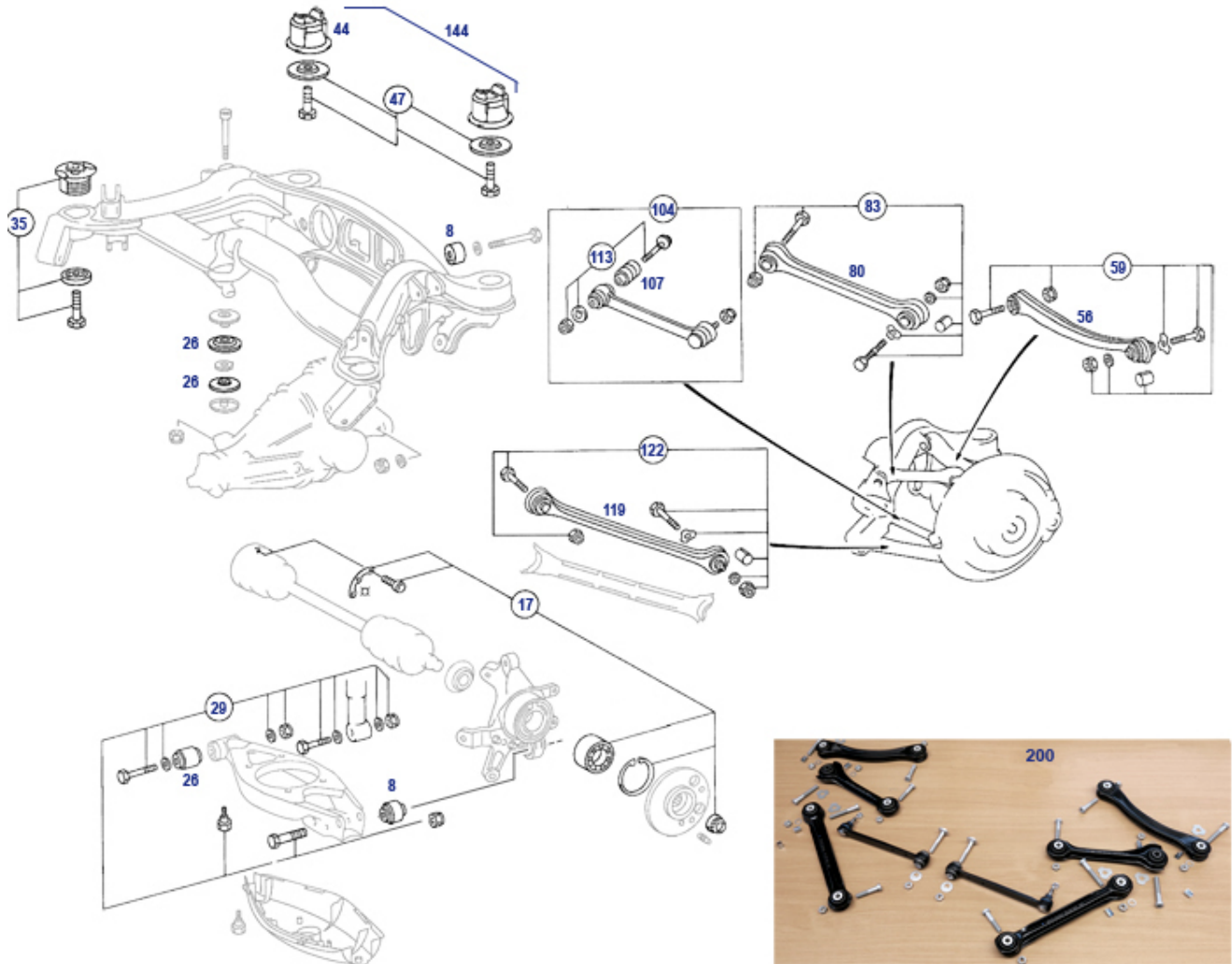


6	Rubber mounting ID 30, torsion bar <a href="#">932052</a>	9,88 €	7	Rubber mounting ID 18.5, torsion bar <a href="#">932051</a>	2,98 €
10	Spring dome mount e.g. SL300+24, <a href="#">932060</a> SL500	79,99 €	10	Shock absorber top mount 124, ... <a href="#">532060</a>	32,73 €
14	Bilstein Shock Absorber please <a href="#">932104</a> send VIN	335,50 €	14	Bilstein Shock Absorber please <a href="#">932124</a> send VIN	349,00 €
18	Protect sleeve bellows, front shockers <a href="#">932102</a>	4,97 €	19	Buffer, front damper <a href="#">932080</a>	10,23 €
19	Buffer, front damper div 124 <a href="#">532080</a>	11,90 €	24	Buffer, rubber, front, 8mm / 1 nub <a href="#">932011</a>	5,95 €
24	Buffer, rubber, front, 18mm / 3 nub <a href="#">932014</a>	7,89 €	24	Buffer, rubber, front, 23mm / 4 nub <a href="#">932016</a>	7,26 €



## 35 Rear Axle Mounts and Control Arms 1st Gen.

35 Rear Axle Mounts and Control Arms 1st Gen.



	Plug screw M24 conical, no collar	<a href="#">114025</a>	8,98 €		spacer sleeve, diff.	<a href="#">235809</a>	4,94 €
	Drive shaft fits 2103508410	<a href="#">R2935277</a>	410,34 €		250-280S/SE/SEL/SL, FEBI		
	Rep-kit inner drive shaft grommet, 300SL Gen 1, SKF	<a href="#">R2935318</a>	33,92 €		Nut, stud drive shaft /rear axle bearing	<a href="#">R2935057</a>	5,12 €
	Bilstein Shock Absorber e.g. 129.060 rear early	<a href="#">932244</a>	189,21 €		Linkage, rear torsion bar	<a href="#">932085</a>	9,52 €
	Seal ring, diff. pinion shaft, div MB 73-98	<a href="#">735015</a>	10,14 €		Control arm rr axle, spring arm ".0206", w,bushing	<a href="#">R7035062</a>	119,09 €
8	Gummilager, Diff hinten an Achse	<a href="#">935030</a>	22,02 €	8	Nut,diff.end,350/450SL/C FN&	<a href="#">735230</a>	3,74 €
8	Outer mount, spring control arm	<a href="#">935023</a>	22,75 €	8	Tool: support arm joint mover 129, 124, ...	<a href="#">958350</a>	124,95 €
26	Gummilager Querlenker an Achse	<a href="#">935013</a>	8,09 €	17	Radlagerset hi.pro Rad, zB 129.060,FEBI	<a href="#">935085</a>	53,55 €
47	NLI Satz Bef.-Teile Hi-Achse hi.an Boden	<a href="#">935028</a>	23,68 €	35	Rep.-Satz Hi-Achsträger vo.an Boden	<a href="#">935020</a>	89,25 €
59	Rep.-Satz Bef.-Teile Sturzstrebe	<a href="#">935071</a>	8,25 €	56	Lenker "Sturzstrebe"	<a href="#">935070</a>	49,39 €
83	Rep.-Satz Bef.-Teile Zugstrebe bis FG	<a href="#">935051</a>	7,75 €	80	Zug-Lenker Hi.-Achse, aktualisiert	<a href="#">935050</a>	20,83 €
107	Gummilager Rep.-Version (exzentrisch)	<a href="#">935093</a>	19,04 €	104	Tie rod rear axle, FEBI	<a href="#">935090</a>	53,55 €
119	Set rr axle ctrl arms MEYLE	<a href="#">935922</a>	200,28 €	113	Rep.-Satz Bef.-Teile Spurstange an HA	<a href="#">935094</a>	10,12 €
122	screw set mounting kit for control arm rear axle	<a href="#">935722</a>	110,00 €	119	thrust arm, rear axle R129	<a href="#">935040</a>	31,00 €
				122	Nut hex M12 x 1,5, now wrench 18	<a href="#">933046</a>	1,19 €

122	Rep.-Satz Bef.-Teile Strebe	<a href="#">935041</a>	8,57 €	144	Rep-kit subframe mounts rear SL129	<a href="#">935027</a>	69,02 €
-----	-----------------------------	------------------------	--------	-----	---------------------------------------	------------------------	---------

## 40 Wheels

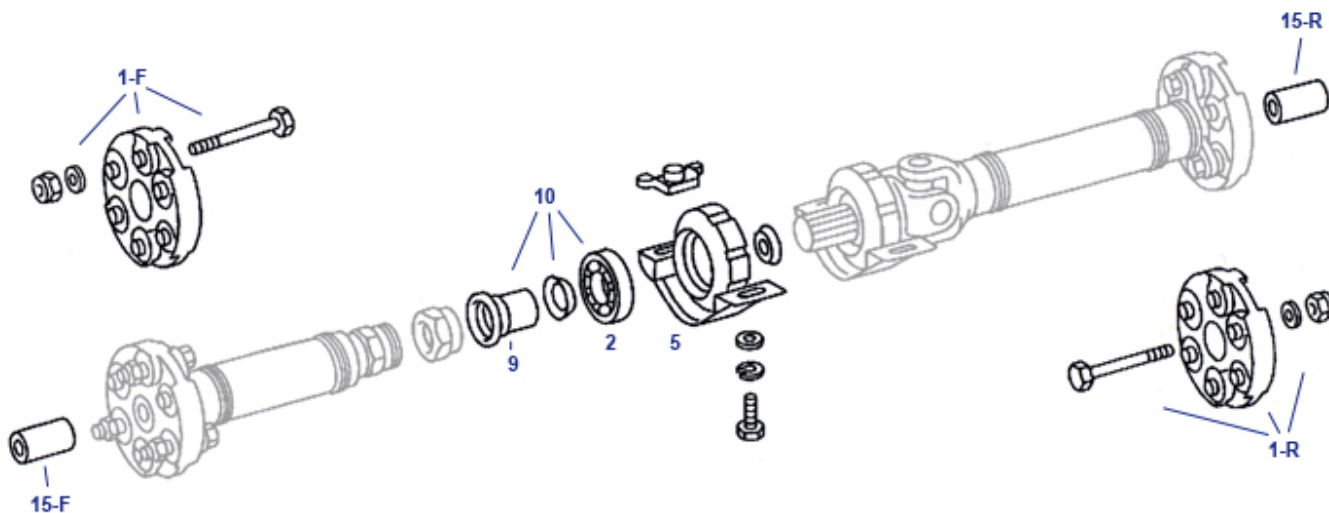
Alloy rim Maxilite "AMG AERO" 8 [940818](#) 327,25 €  
x17

Alloy rim Maxilite "AMG AERO" 9 [940819](#) 364,14 €  
x17

# 41.a Drive Shaft / prop Shaft, 1st Gen

41.a Drive Shaft / prop Shaft, 1st Gen

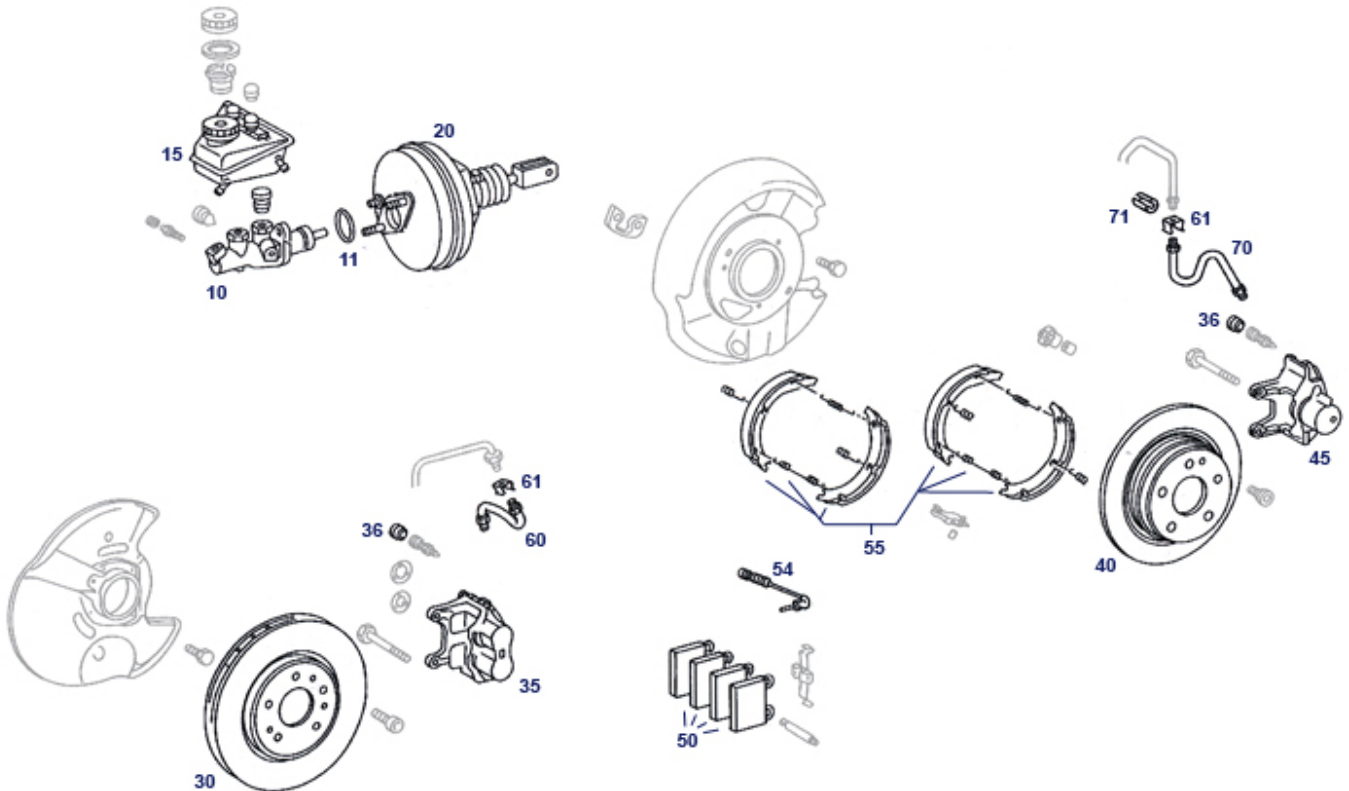
129.060 / 129.066



	Drive shaft fits 2103508410	<a href="#">R2935277</a>	410,34 €		plastic grommet, prop shaft Repro, ref. A 202 411 0497	<a href="#">541012</a>	3,45 €
1-F	Repr.kit,cardan disc	<a href="#">741003</a>	77,50 €	1-F	Rep.-Satz Hardyscheibe zB 129.060 Autm.	<a href="#">941000</a>	101,15 €
2	Ball bearing, e.g. prop shaft	<a href="#">241015</a>	16,83 €	5	Prop shaft ctr mount e.g. 129.060	<a href="#">941018</a>	35,20 €
5	Prop shaft ctr mount e.g. 129.066	<a href="#">941019</a>	32,77 €	15-F	Bushing prop shaft 4.gen	<a href="#">741041</a>	38,68 €

## 42 Brake

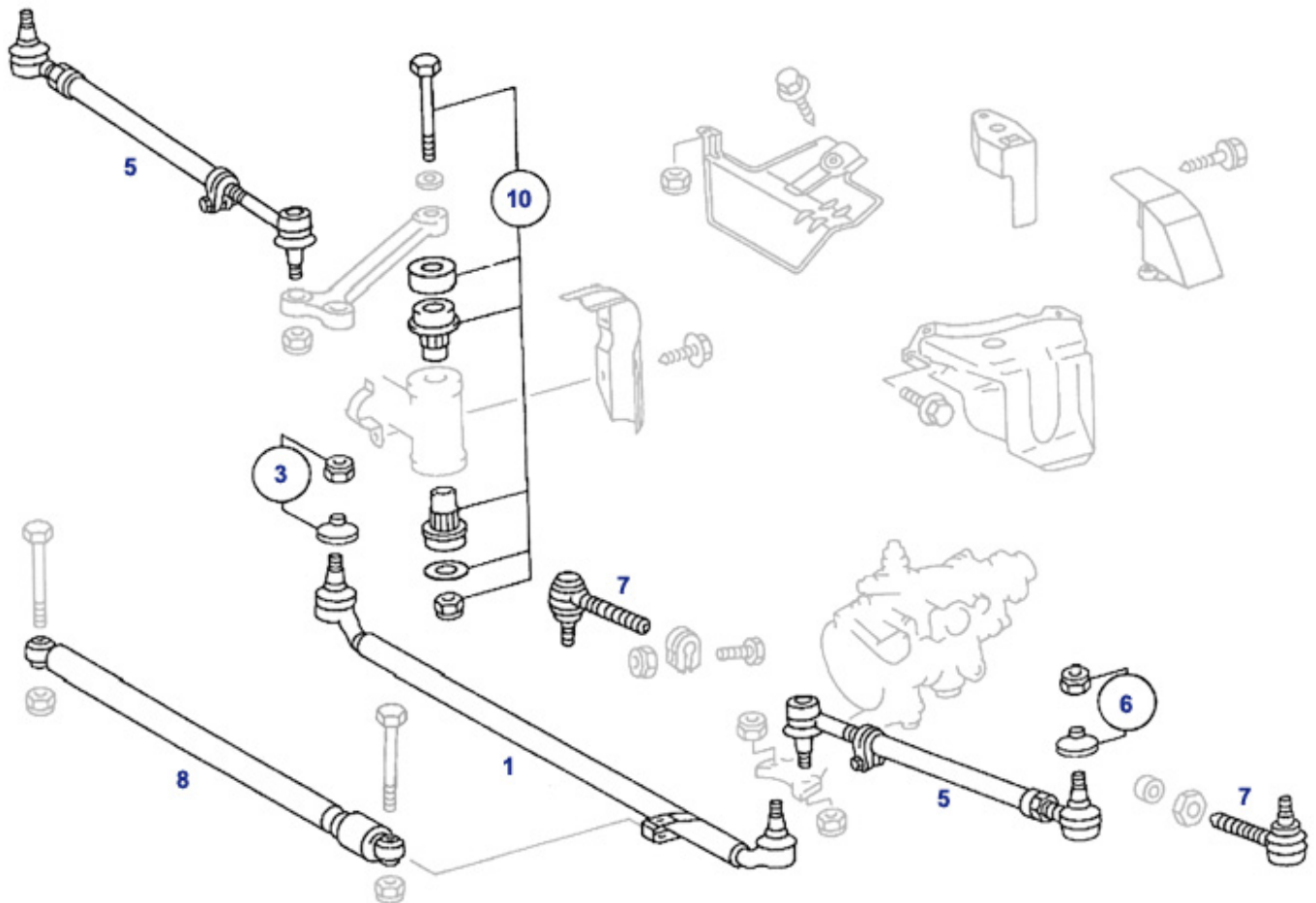
### 42.c most required brake parts 129.060 std (300SL)



	Brake caliper 38mm, rear right. R129 R170	<a href="#">942321</a>	130,90 €		handle brake release LHD	<a href="#">942079</a>	64,99 €
	Brake caliper 38mm, rear left R129 R170	<a href="#">942311</a>	130,90 €		Brake Servo Textar, 107 from `85, div. 129, 126, 124	<a href="#">743730</a>	329,00 €
	Bracket 250-280SL	<a href="#">243658</a>	1,06 €		Cover plate rear brake disc RH, 129, 124, 170, ...	<a href="#">942240</a>	23,09 €
	Cover plate rear brake disc LH, 129, 124, 170, ...	<a href="#">942230</a>	23,09 €		A1244270382 Rubber, parking brake pedal LHD..	<a href="#">942090</a>	6,90 €
10	Mastercyl ATE, ABS Cars from 09.'85	<a href="#">743014</a>	200,00 €	10	Mastercyl FEBI, ABS Cars from 09.'85	<a href="#">743814</a>	130,90 €
11	Rep.-Satz HBrZyl	<a href="#">943016</a>	180,63 €	20	brake light swich, 4-pole, see illustration	<a href="#">554019</a>	17,50 €
35	Rep.-Satz Bremssattel zB 129.060 vo	<a href="#">942015</a>	46,99 €	36	Bleeder valve cap, brake, steering	<a href="#">143041</a>	2,56 €
50	Brake pads, types w.4-piston calipers, FEBI	<a href="#">942030</a>	52,60 €	50	Satz Bremsklötze Hinterachse	<a href="#">542089</a>	34,34 €
54	Wear contact, brake pad	<a href="#">742025</a>	3,99 €	55	Park brake kit: shoes+springs, 124,129F	<a href="#">542200</a>	22,61 €
60	Brake hose, 300-500SL fr.	<a href="#">742101</a>	79,99 €	61	Retaining spring 250-280SL	<a href="#">243058</a>	1,06 €
70	Brake hose,rr, fits "direct@caliper"	<a href="#">742106</a>	33,20 €	71	Rubber sleeve	<a href="#">243859</a>	2,38 €

## 46.a Steering Linkage frt.Axle

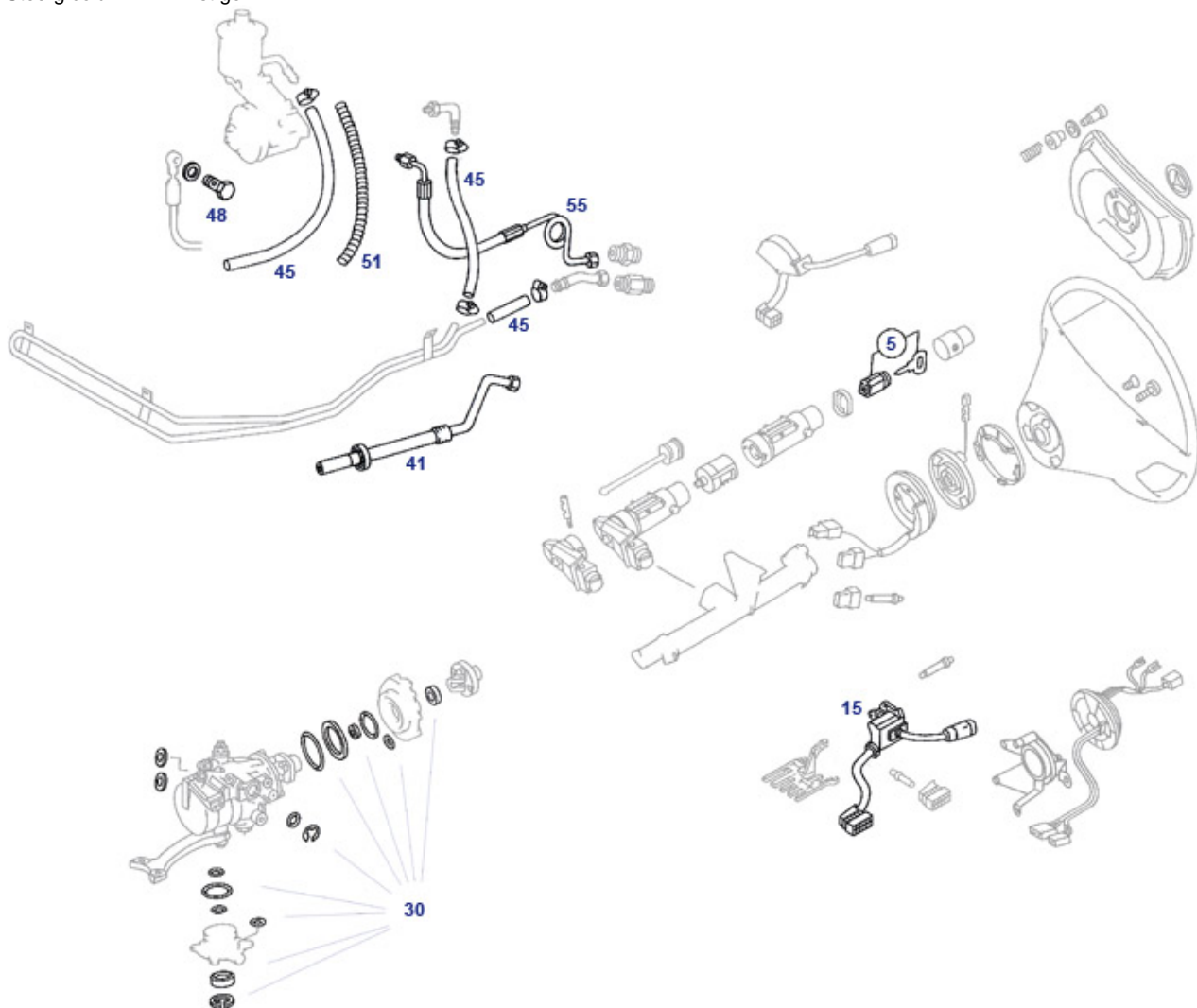
46.a Steering Linkage frt.Axle



1	Lenkstange zB 129.066	<a href="#">946060</a>	104,13 €	5	Tie rod div 129, FEBI (Febi:"L=R")	<a href="#">933090</a>	65,45 €
7	Tie rod joint long, LH-threaded, FEBI	<a href="#">933091</a>	29,75 €	7	Spurstangenkopf lang, Linksgewinde	<a href="#">933093</a>	29,75 €
7	Spurstangenkopf kurz, Rechtsgewinde, FEBI	<a href="#">933094</a>	29,75 €	8	Steering damper 129FN ... brand MEYLE	<a href="#">946080</a>	35,00 €

## 46.b Steerg.column LHD 1st gen

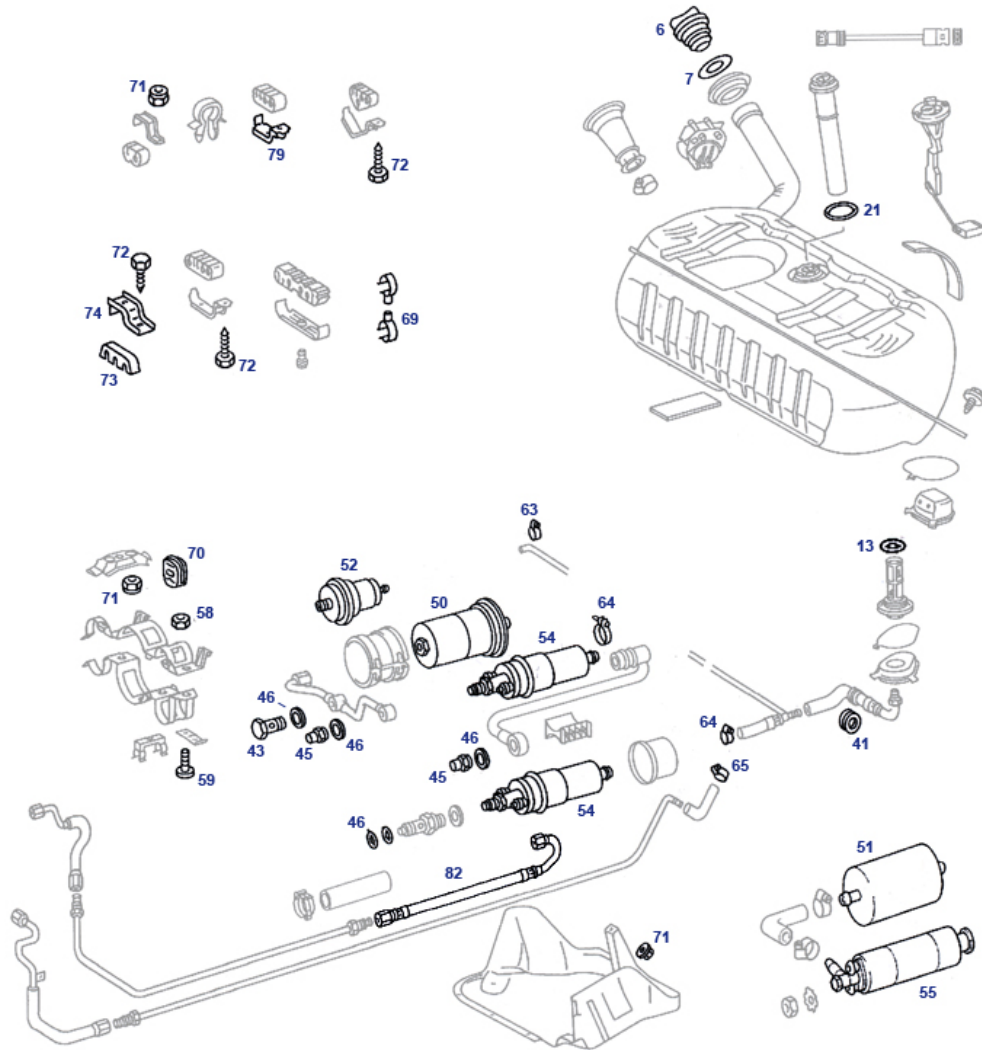
46.b Steerg.column LHD 1st gen



	seal rings/gaskets pws pump, 124-201-129 pls pump ID	<a href="#">R2946105</a>	17,14 €	5	Lock cyl. with key, aftermarket	<a href="#">946852</a>	32,90 €
30	Gasket kit steerg pws box eg 300SL LHD.	<a href="#">946805</a>	39,25 €	45	1m power steering return hose	<a href="#">999020</a>	14,99 €
48	Seal ring, sump plug	<a href="#">299303</a>	0,33 €	48	Hollow screw M12 x 1,5	<a href="#">747146</a>	3,57 €

## 47.a Fuel Supply

### 47.a Fuel Supply



	Fuel pump e.g. SL/SLK 320, Marelli	<a href="#">R7047247</a>	226,89 €		Rubber, hanger for pump assy	<a href="#">947033</a>	2,59 €
	fuelpump Marelli, ref.No. A0020915901	<a href="#">947247</a>	29,35 €		fuelpump e.g. SL/SLK 320 Marelli	<a href="#">R7047847</a>	130,89 €
	Spring clamp fits 15mm Hose	<a href="#">747996</a>	1,79 €	6	Fuel Cap, e.g. 129,170, others from 124 on	<a href="#">947010</a>	9,99 €
13	Seal ring, tank filter	<a href="#">247013</a>	2,19 €	21	Sealing ring fuelsender unit 12.'72-->	<a href="#">747316</a>	1,96 €
41	Rubber grommet 22/26mm, ign leads, ...	<a href="#">798774</a>	2,89 €	43	Hollow screw M12 x 1,5	<a href="#">747146</a>	3,57 €
45	threaded cap, fuel studs	<a href="#">747143</a>	3,96 €	46	Seal ring, sump plug	<a href="#">299303</a>	0,33 €
50	Fuel filter D 81mm, all from '85->	<a href="#">747701</a>	62,30 €	51	Fuel filter, Mann, w.internal valve	<a href="#">R7047701</a>	95,00 €
52	Fuel accumulator e.g. 300SL, ..., Bosch	<a href="#">747711</a>	321,72 €	52	Fuel accumulator V8 from 09.'85	<a href="#">747712</a>	150,00 €
54	Fuel Pump, fits KE - twin arrangement, Bosch	<a href="#">947147</a>	148,63 €	54	Fuel pump e.g. KE-types , Pierburg	<a href="#">747047</a>	219,50 €
55	Fuel pump e.g. SL/SLK 320, Pierburg	<a href="#">R7047047</a>	188,00 €	55	Rest: Bosch Fuel Pump 0 580 464 125	<a href="#">747007</a>	148,75 €
55	Fuel pump e.g. SL/SLK 320, Bosch	<a href="#">R7047147</a>	254,01 €	58	Hex nut M5, zined	<a href="#">299919</a>	0,18 €
59	Bolt M5 x 40 eg. FP-support	<a href="#">799847</a>	0,56 €	63	hose clamp for diam. 11mm, stainless steel	<a href="#">999897</a>	2,38 €
64	Hose clamp 18-27, worm thread style	<a href="#">999898</a>	4,07 €	65	Spring clamp 13mm	<a href="#">747995</a>	2,25 €
69	cable clip e.g. fuel hose	<a href="#">747994</a>	1,42 €	70	Rubber, hanger for pump assy	<a href="#">947833</a>	2,83 €
71	Nut	<a href="#">742199</a>	0,35 €	72	Counter sunk screw, eg wing to rail	<a href="#">799930</a>	0,38 €
73	clamp inlay	<a href="#">747038</a>	1,84 €	73	Clips, fuel line @ body rail	<a href="#">947049</a>	1,75 €
74	Fuel and brake line clamp, for	<a href="#">147014</a>	2,32 €	79	Clamp, fuel pipes	<a href="#">247049</a>	2,68 €

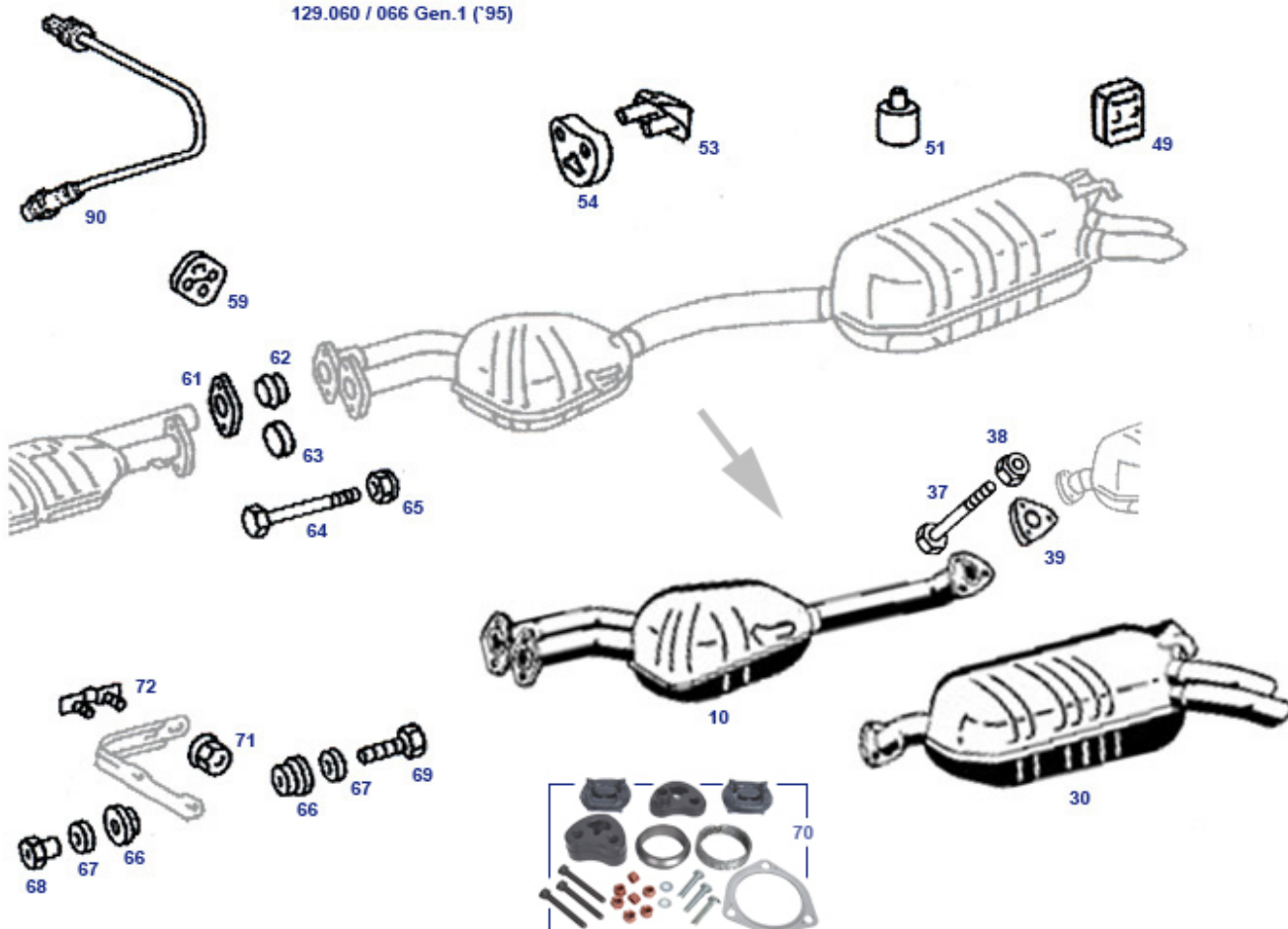


30mm rubbers

## 49.a Exhaust from Cat, 1.Generation/1.Series

49.a Exhaust from Cat, 1.Generation/1.Series

129.060 / 066 Gen.1 ('95)

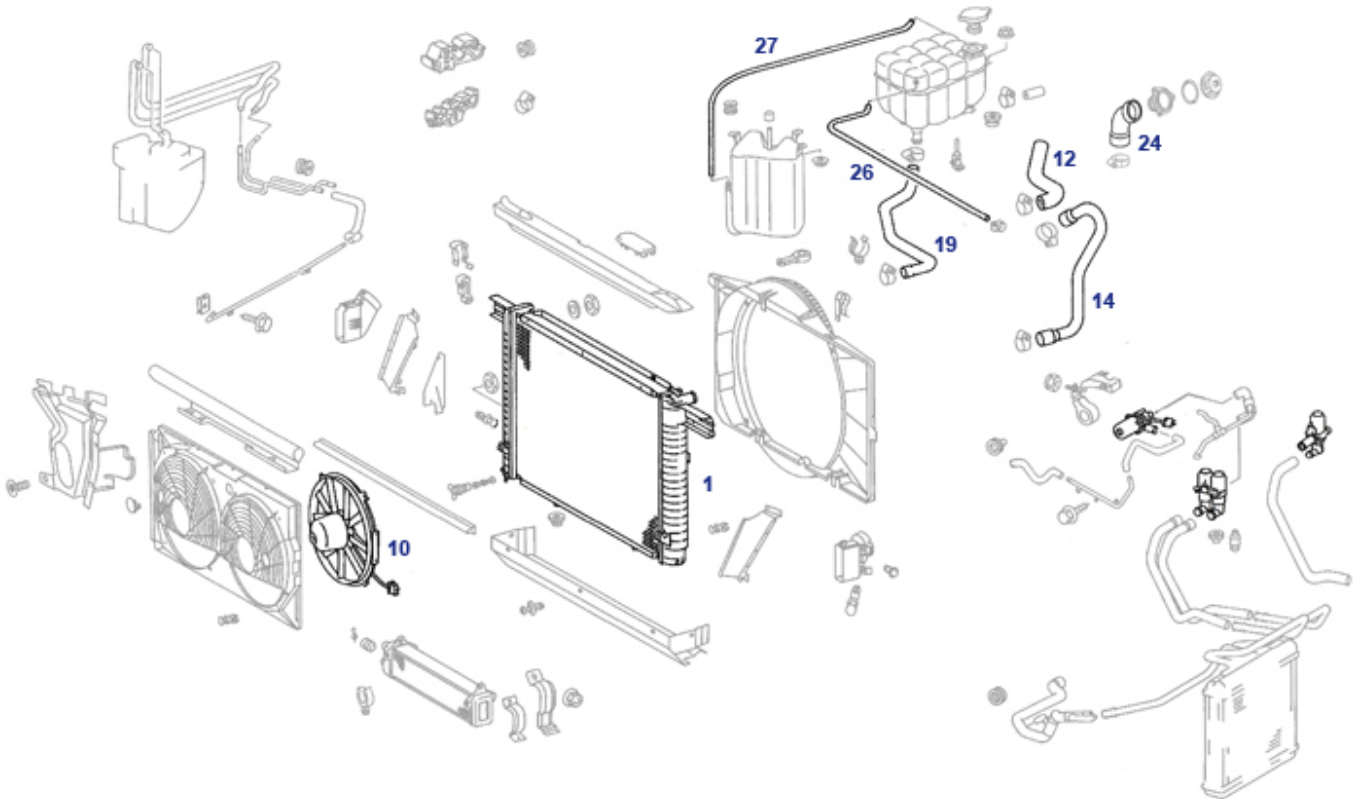


	bracket for main silencer, ref.-No. <a href="#">799848</a>	2,90 €	10	Ctre silencer SL300+24, SL500,Aftermark	<a href="#">949008</a>	392,09 €
30	Rear silencer SL300+24, SL500, Afterm.	636,00 €	37	Bolt, M8x35, fits drag links	<a href="#">233199</a>	0,44 €
38	Nut M8, copper, hex 13	2,30 €	39	gasket, 3-hole flange	<a href="#">949061</a>	6,78 €
49	Rubber mount ring, ctre, from 09.85	749059	51	Rubber buffer, exhaust	<a href="#">798747</a>	1,18 €
54	Exhaust Hanger Rubber e.g. SL500	949039	54	RR muffler rbr mount	<a href="#">949059</a>	3,46 €
59	Exhaust Hanger Rubber	949019	59	simplified: non reinforced exh.rbr hanger	<a href="#">949049</a>	1,19 €
62	metal ring right pipe	949062	63	sealing ring left pipe	<a href="#">949068</a>	3,24 €
64	hex. flange bolt M8 X 60 @ Y-tube	949048	66	Rubber shim at exh. bracket	<a href="#">114002</a>	3,83 €
67	washer 9 X 28 X 3, ref.No. N000440009103	799843	68	threaded bushing with hexagonal collar	<a href="#">314003</a>	8,93 €
69	Hex. head screw M8 X 50 zinc plated, N304017008034	799943	70	fitting kit exhaust e.g. 129.066	<a href="#">949045</a>	29,74 €
71	prevailing torque type hex. nut with flange M8, ref.No.	799845	72	exhaust bracket at gearbox, ref.No.A1294900044	<a href="#">799846</a>	2,68 €

## 50 Cooling System

### 50 a. Radiator and Hoses 1st Gen (up to '93)

50 a. Radiator and Hoses 1st Gen (up to '93)



	Seal ring	<a href="#">220016</a>	1,31 €		Gasket, pump to thermostat	<a href="#">720406</a>	2,30 €
	leaf spring, radiator to shroud	<a href="#">950022</a>	2,38 €		sensor, temp, e.g. M117 water	<a href="#">954397</a>	17,85 €
m119	Visco fan clutch e.g. M119.974, ...	<a href="#">620500</a>	214,20 €	1	Radiator 300SL-R129	<a href="#">950003</a>	569,42 €
1	Kühler, z.B. 500SL	<a href="#">950005</a>	649,99 €	2	Drain plug, radiators from ca.'85	<a href="#">950021</a>	3,90 €
12	Water hose, rad. upper, eg 129.060	<a href="#">950312</a>	17,85 €	12	rad hose upper 500SL	<a href="#">950512</a>	17,85 €
14	Water hose rad. lower, eg. 129.060	<a href="#">950314</a>	29,75 €	14	rad hose, lower, 500SL	<a href="#">950514</a>	29,75 €
17	Stopp: FEBI danger of invalid replacement	<a href="#">750017</a>	8,33 €	17	Cap, expansion reservoir	<a href="#">950017</a>	19,04 €
24	Schlauch an Thermostatdeckel 119.960	<a href="#">950504</a>	9,28 €	26	Water hose, 8/15mm per metre	<a href="#">250016</a>	24,50 €

## 60, 61, 54 Plugs, grommets, fasteners

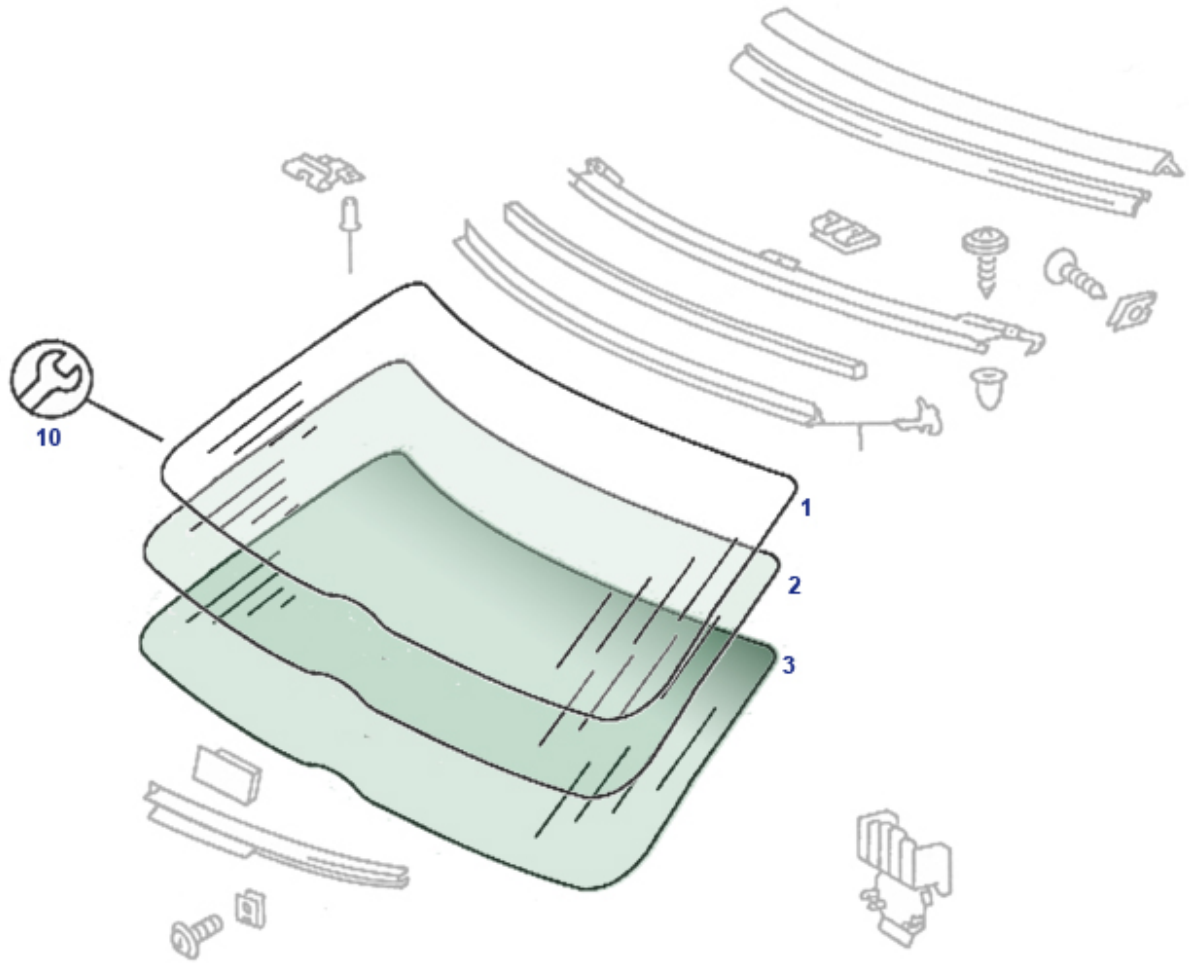
60, 61, 54 Plugs, grommets, fasteners



	Rubber grommet 10/15, taillight bucket 190SL, 107	<a href="#">199020</a>	1,08 €		Rbr buffer M6	<a href="#">714098</a>	5,70 €
	El. Pin 2,5mm	<a href="#">954156</a>	0,52 €		del-t: Rubber grommet e.g. roof hydr lining	<a href="#">999010</a>	3,21 €
	del-t: Floor/Body Panel Plug - 13,5mm	<a href="#">998784</a>	1,27 €		Rubber grommet 3/26 e.g. fuel tank vent pipe	<a href="#">798860</a>	1,87 €
	ignition distributor repair kit	<a href="#">907124</a>	26,99 €		Nut	<a href="#">999803</a>	4,76 €
	square plastic rivet, div trunk covering	<a href="#">R2999034</a>	0,75 €	5	Rivet,for cover in boot	<a href="#">269034</a>	0,35 €
11	Rubber buffer 5mm,121,113,10	<a href="#">298066</a>	0,89 €	14	Floor/Body Panel Plug, 6mm	<a href="#">998781</a>	2,14 €
20	see 298688	<a href="#">298788</a>	1,19 €	20	plug, plastic, closes 9.5mm holes	<a href="#">298688</a>	0,42 €
26	threaded plug, belt holes	<a href="#">799899</a>	1,18 €	29	Rbr seal plug antenna	<a href="#">999082</a>	9,52 €
41	Rbr plug 17,5mm	<a href="#">398995</a>	1,17 €	47	Rubber plug, 20mm	<a href="#">298780</a>	0,94 €
50	Rubber buffer, exhaust	<a href="#">798747</a>	1,18 €	59	Buffer, @ floor for car lift 124, 129	<a href="#">989008</a>	4,58 €
62	Plug, 32mm, e.g. boot, ..Repro	<a href="#">268309</a>	1,81 €	65	Floor/Body Panel Plug - 32,5mm	<a href="#">998782</a>	4,25 €
80	rubber plug, oval shape, fits holes ca 38x18	<a href="#">798770</a>	1,75 €	83	Rubber plug, oval 45 x 28mm	<a href="#">598782</a>	2,24 €
86	Grommet,multihole 27mm	<a href="#">798777</a>	2,59 €	89	del-t: Rubber grommet, drain, floors/rails	<a href="#">999009</a>	3,57 €
89	grommet, diagonal	<a href="#">998752</a>	4,74 €	108	Hose strap, replaces hose clamp	<a href="#">250099</a>	0,55 €
108	wire strap, ref as 001 997 4390	<a href="#">754179</a>	0,65 €	111	wire strap with rivet plug, 160mm	<a href="#">854087</a>	1,29 €
114	cable / loom tie 190mm	<a href="#">854088</a>	2,51 €	123	Clips, wire @ body	<a href="#">998181</a>	0,90 €
123	Omega clip 11,8mm, green	<a href="#">786045</a>	0,47 €	123	Clips clamp, plastic, 13mm	<a href="#">754069</a>	1,09 €

# 67 Windscreen

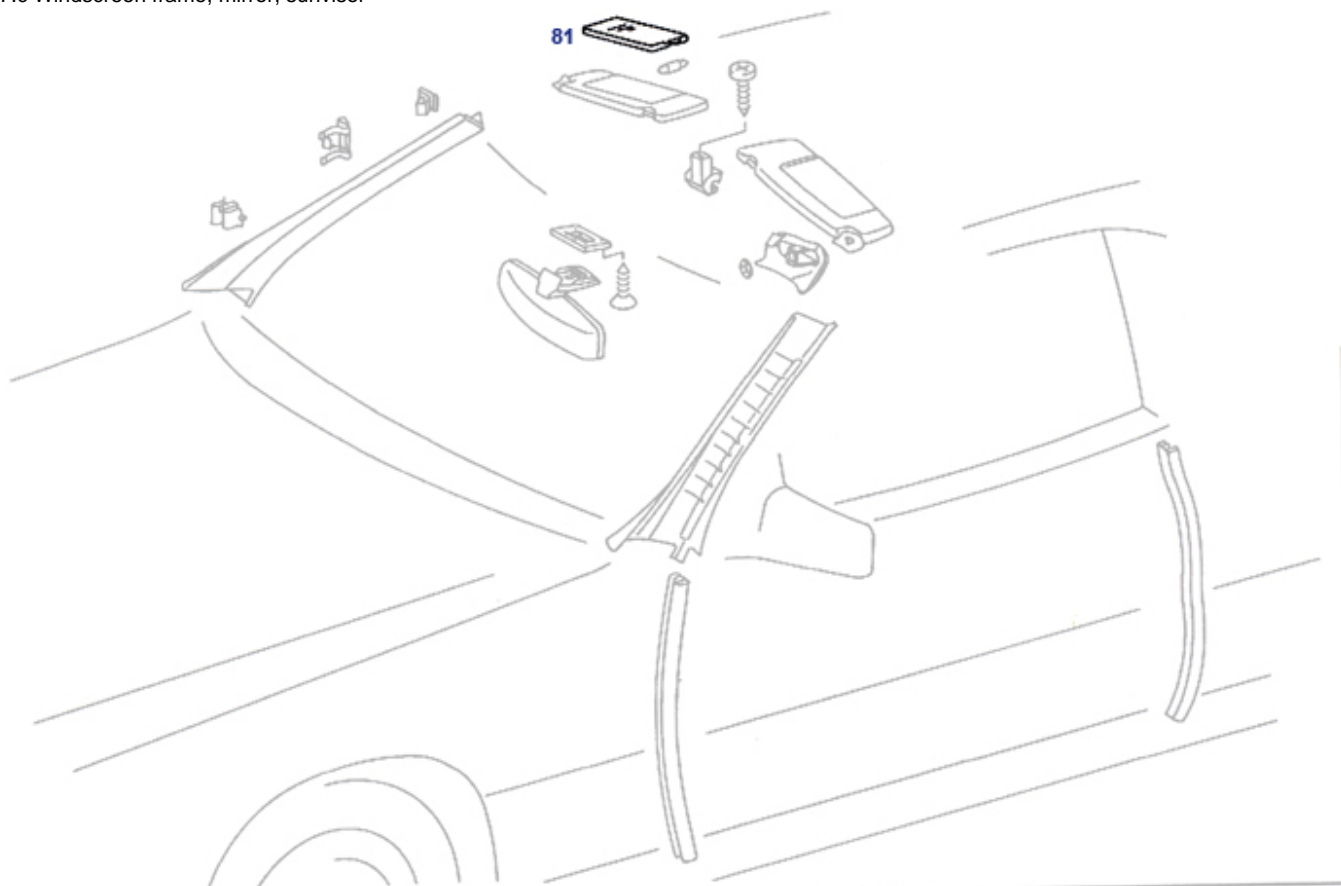
67 Windscreen



2	Screw 3,5 x 9,5, see picture W/S glastransp. incl. box(Germany)	<a href="#">288081</a> <a href="#">967999</a>	0,32 €   2 121,25 €   3	Frontscheibe R129 grün (ohne Keil) <a href="#">967010</a> Frontscheibe R129 grün + Keil <a href="#">967020</a>	225,93 € 247,00 €
---	---	--	----------------------------	---	----------------------

## 67.c Windscreen frame, mirror, sunvisor

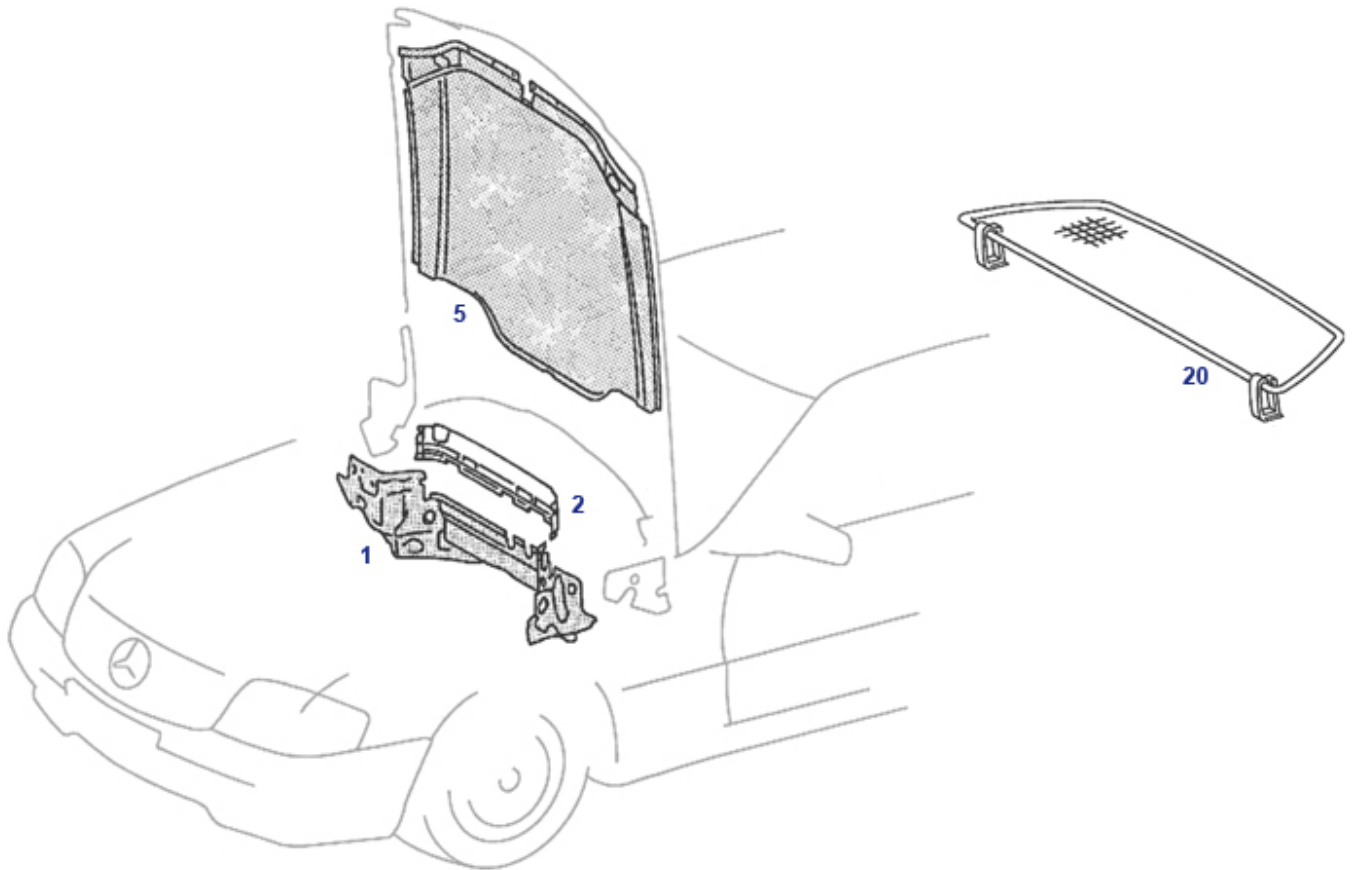
67.c Windscreen frame, mirror, sunvisor



81	Mirror w. flap f. sunvisor "mushroom"	<a href="#">981174</a>	127,20 €	81	Mirror w. flap f. sunvisor "cream-beige"	<a href="#">981176</a>	140,00 €
81	Mirror w. flap f. sunvisor grey	<a href="#">981177</a>	112,81 €	81	Mirror w. flap f. sunvisor "date"	<a href="#">981178</a>	99,50 €

## 68.b Insulation Eng.Compartment, Windshield

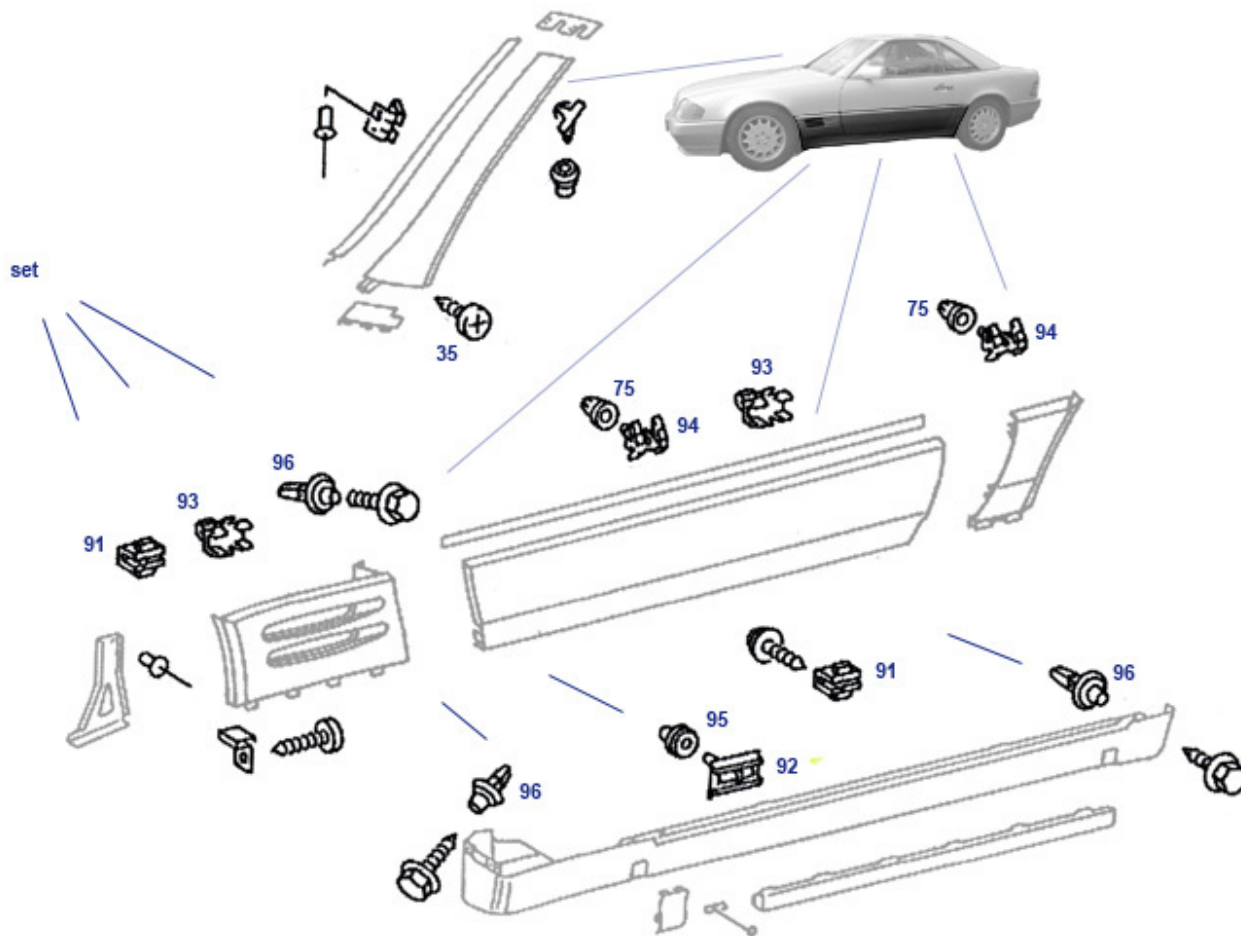
68.b Insulation Eng.Compartment, Windshield



more	Buffer, @ floor for car lift 124, 129	<a href="#">989008</a>	4,58 €	more	Nut, coverings	<a href="#">999807</a>	0,35 €
more	Plug, 6mm	<a href="#">999989</a>	0,65 €		Plastic rivet plug, upholstery, carpet, ..	<a href="#">999067</a>	0,83 €
1	Rivet	<a href="#">999819</a>	0,39 €	2	Rivet	<a href="#">999817</a>	0,39 €
5	noise reduction mat R129 / SL129	<a href="#">968085</a>	74,49 €	5	Plastic rivet, e.g.sound-ins.mat	<a href="#">999068</a>	0,40 €

## 69 Mounting of side panelling

69 Mounting of side panelling

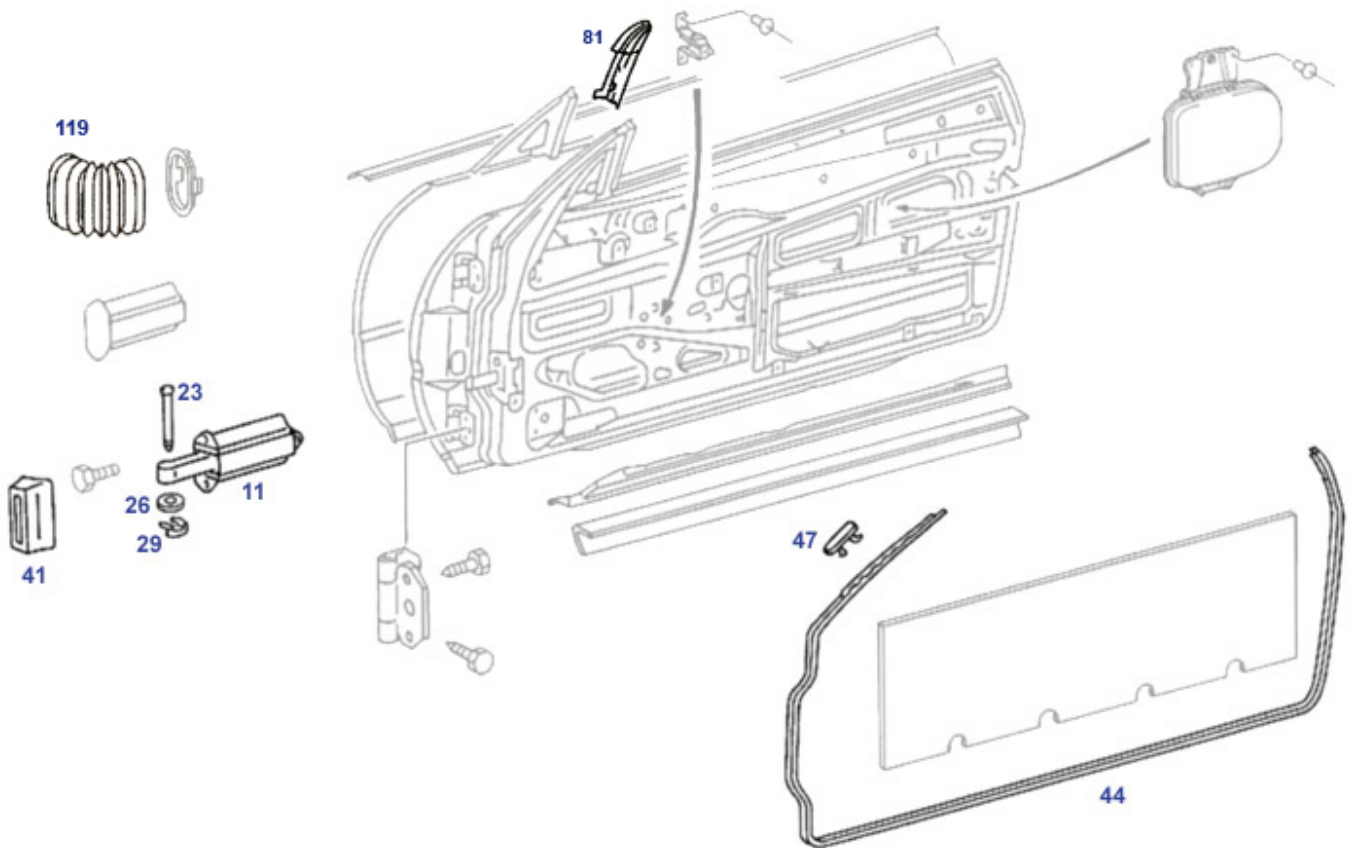


more	Buffer, @ floor for car lift 124, 129	<a href="#">989008</a>	4,58 €	more	Screw, covering	<a href="#">999812</a>	0,50 €
more	speed nut 6,3	<a href="#">999814</a>	0,67 €	more	Sheet metal nut	<a href="#">999815</a>	0,39 €
35	Counter sunk screw 3,5x9,5, eg glove box	<a href="#">799935</a>	2,80 €	75	Bushing for clip, white	<a href="#">772005</a>	0,48 €
91	Clip @ Sacco-panel, where screwed	<a href="#">969891</a>	0,55 €	92	Clip with pin, Sacco trims lower	<a href="#">969892</a>	0,74 €
93	Clip @ Sacco panel upper	<a href="#">969893</a>	0,68 €	94	Clip, push in, Sacco panels	<a href="#">969894</a>	0,43 €
95	Bushing green, e.g. door lower outer	<a href="#">969895</a>	0,50 €	96	Nut, clips	<a href="#">969896</a>	0,68 €



## 72.a Door, Seals

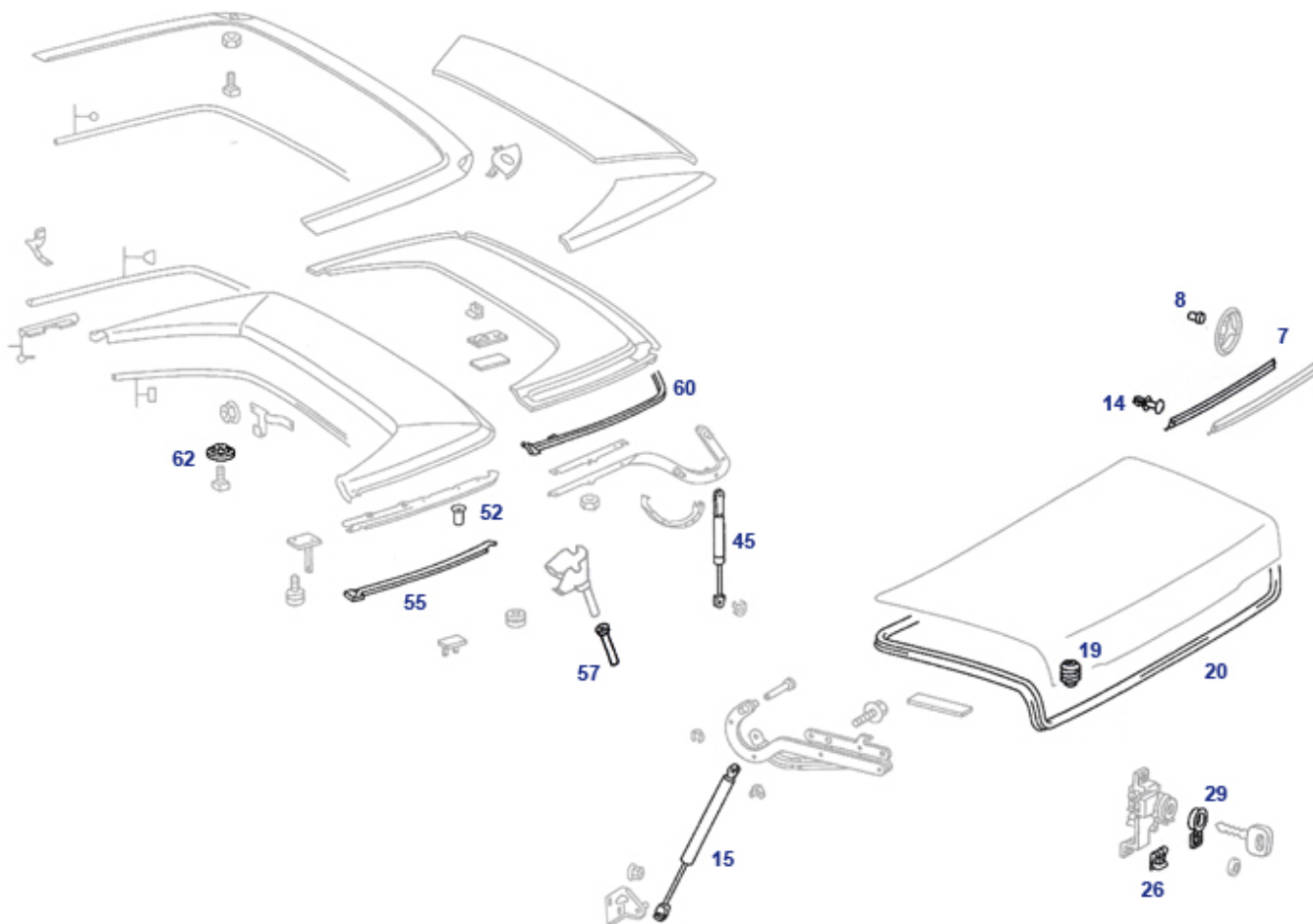
72.a Door, Seals



	Clip on door trim (16x veh.)	<a href="#">772228</a>	0,48 €	clip	Plastic clips, linkage, locking, doors, ...	<a href="#">998005</a>	1,44 €
29	Locking clips, door catch bolt	<a href="#">772118</a>	0,73 €	41	buffer plug, door catch R129, 201, 124	<a href="#">972165</a>	4,56 €
44	Door seal LH R129	<a href="#">972100</a>	79,00 €	44	Door seal R129 RH	<a href="#">972200</a>	79,00 €
50	Dämmung selbstklebend 2mm x 1,6qm	<a href="#">968171</a>	119,99 €	50	0,75 sqm mat, Teroson BT-SP100 self adhesive	<a href="#">968173</a>	67,20 €
81	Guide rubber, window, front Lt.	<a href="#">R2972511</a>	29,16 €	81	Guide rubber, window, front Rt.	<a href="#">R2972512</a>	29,16 €

## 75 Boot Lid, Softtop Box Lid

75 Boot Lid, Softtop Box Lid

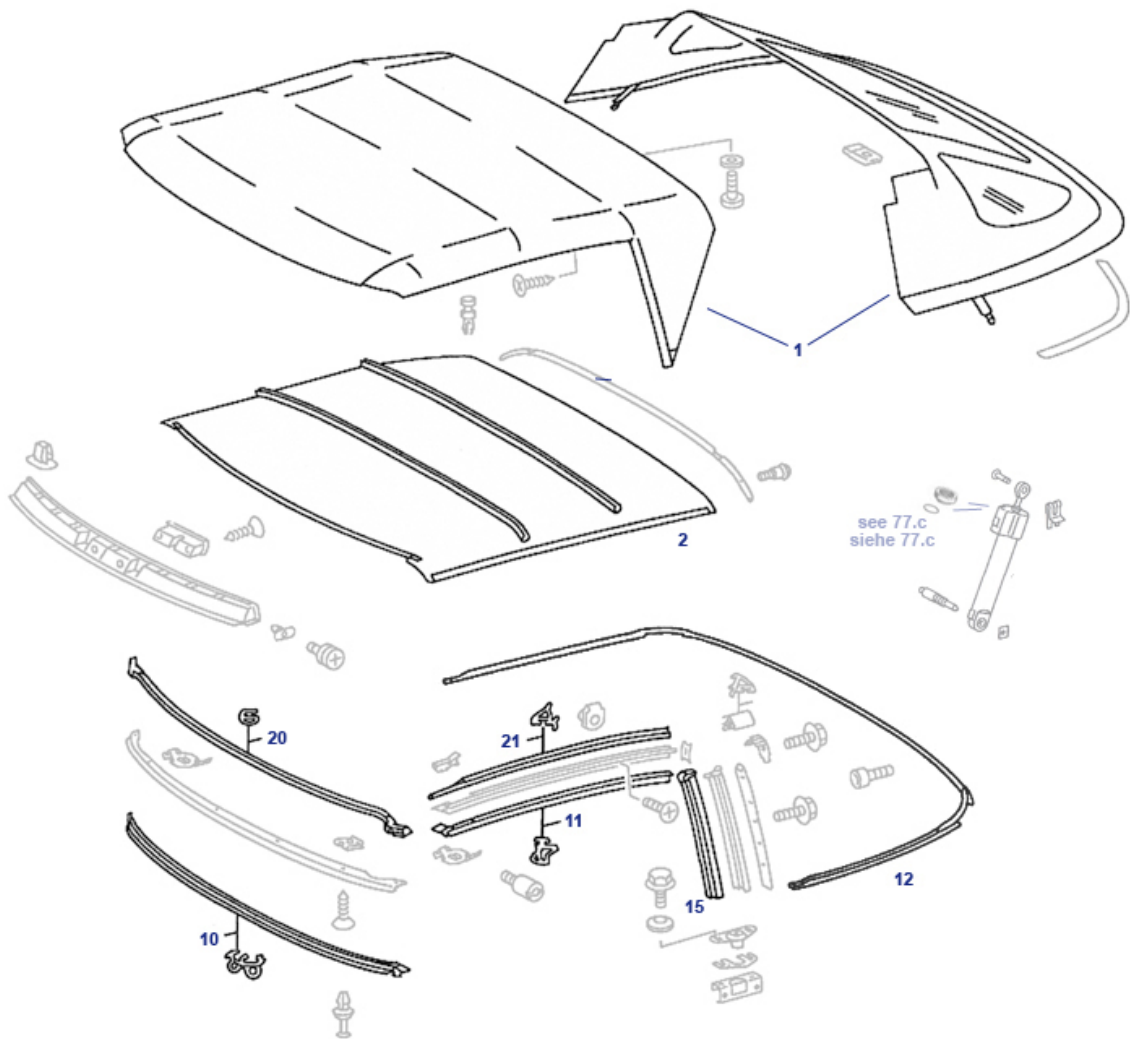


bits	Plug for covering	<a href="#">999818</a>	0,71 €	8	Grommet for Mercedes Star at boot lid   1985 ->	<a href="#">798756</a>	0,50 €
15	Gas spring, rear lid early	<a href="#">975087</a>	26,18 €	15	Gasfeder Heckdeckel 243mm, ab FN...	<a href="#">975088</a>	26,64 €
20	Trunk lid seal R129, quality as genuine	<a href="#">975020</a>	66,99 €	26	Nut	<a href="#">999810</a>	1,26 €
29	Rubber, lock sealing, trunk	<a href="#">975831</a>	7,84 €	45	Gas spring, softtop box lid	<a href="#">975077</a>	42,96 €
57	drain hose, soft top box R129	<a href="#">979032</a>	8,54 €	60	S/T Box lid seal 91-95, quality as orig	<a href="#">975060</a>	167,85 €

## 77 Softtop

### 77.a Softtop, first generation

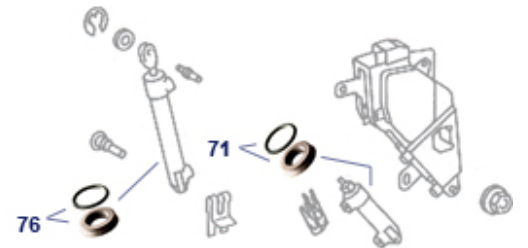
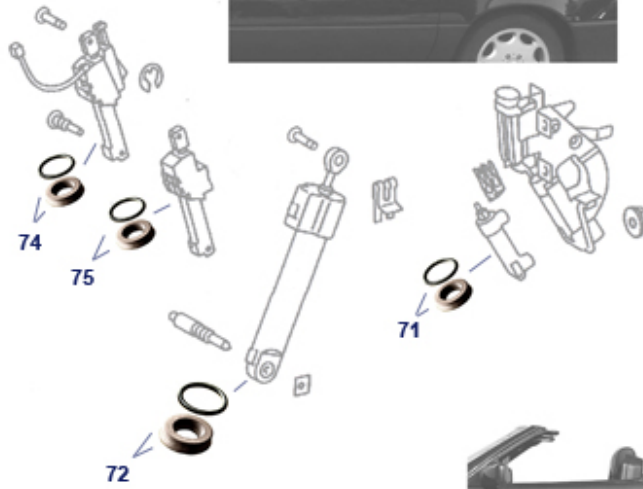
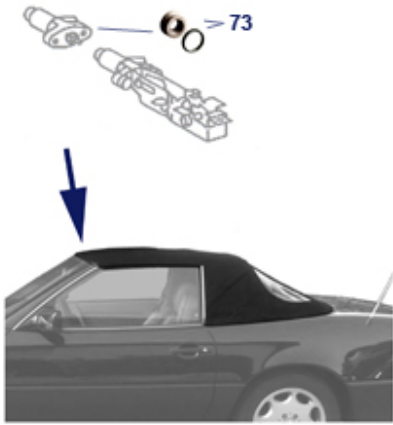
77.a Softtop, first generation



2	Innenhimmel R129 beige	<a href="#">977001</a>	229,12 €	11	1x1,5m Sonnenland-Verdeckstoff d.br-sw	<a href="#">977015</a>	89,25 €
---	------------------------	------------------------	----------	----	---	------------------------	---------

### 77.c Hydraulic cylinders

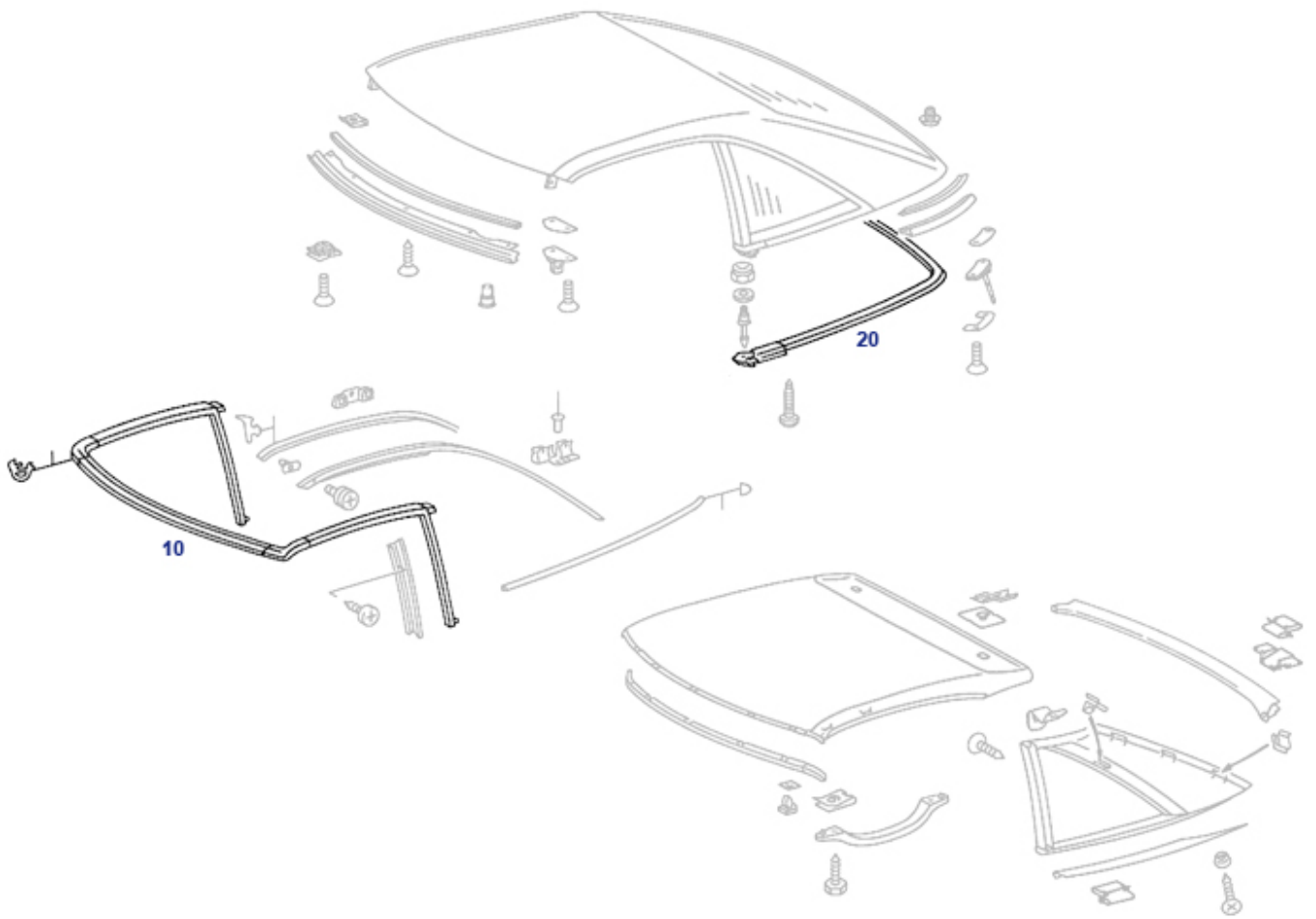
77.c Hydraulic cylinders



53	Cylinder, convertible top	<a href="#">980873</a>	113,05 €	71	Gaskets for Cylinder ..2172	<a href="#">980777</a>	16,90 €
71	Gaskets for Cylinder ..0072	<a href="#">980771</a>	19,99 €	72	Gaskets for Cylinder ..0272	<a href="#">980772</a>	16,90 €
73	Gaskets for Cylinder ..1672	<a href="#">980773</a>	17,20 €	74	Gaskets for Cylinder ..1772	<a href="#">980774</a>	15,47 €
75	Gaskets for Cylinder ..1872	<a href="#">980775</a>	17,49 €	76	Gaskets for Cylinder ..2072	<a href="#">980776</a>	16,68 €

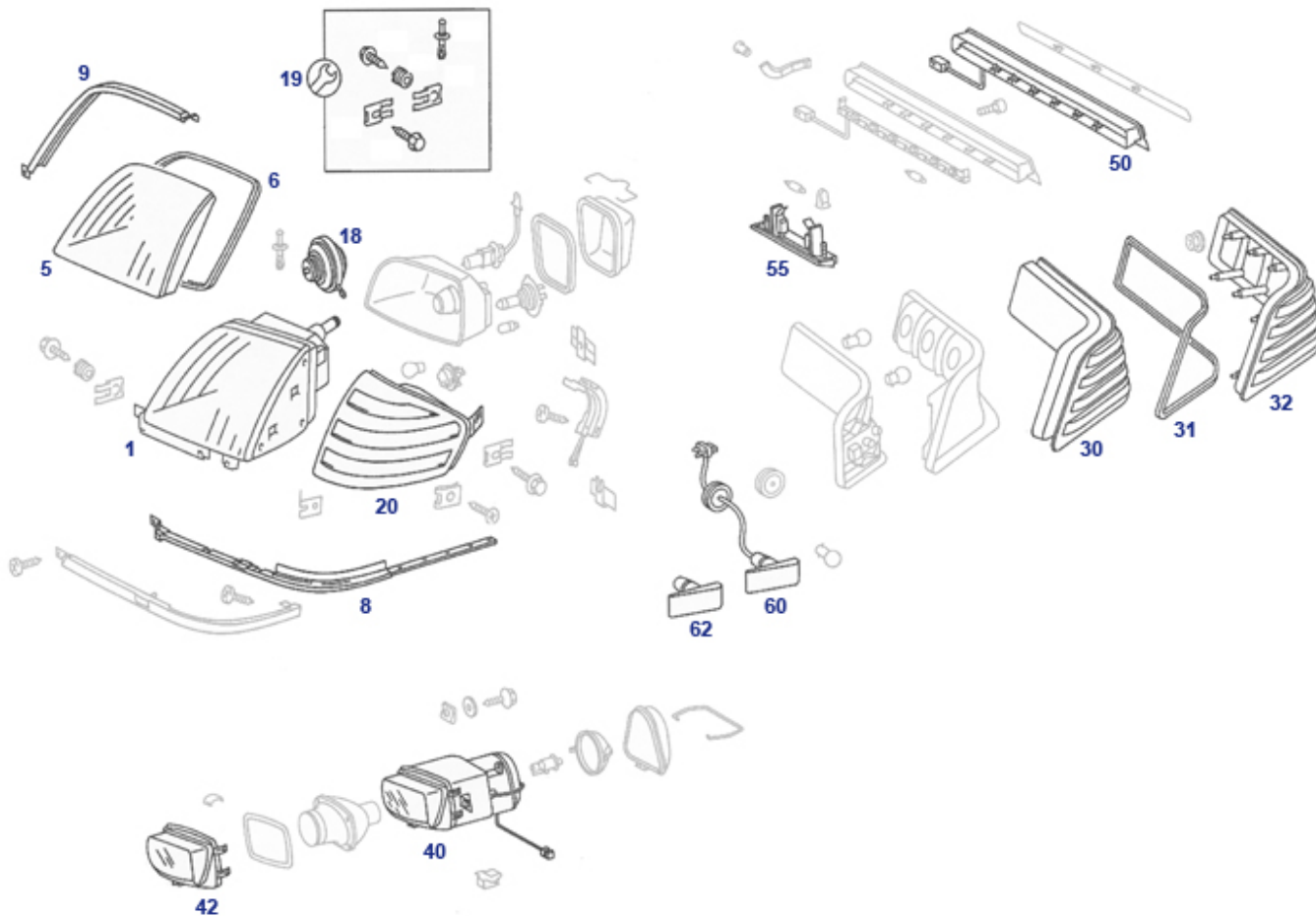
# 79 Hardtop

79 Hardtop



## 82.a Lighting Equipmt. Euro/Std.

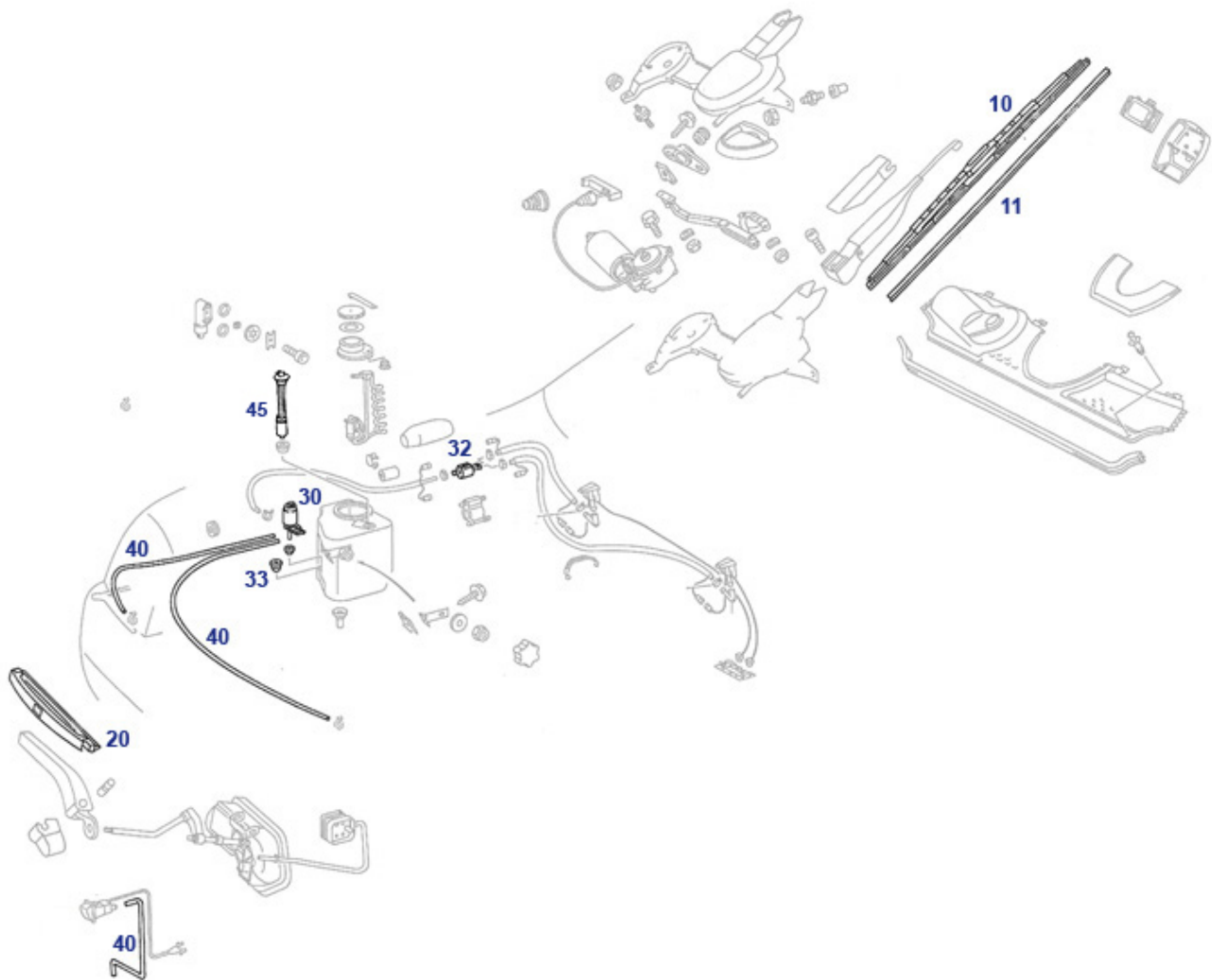
82.a Lighting Equipmt. Euro/Std.



1	Actuator, light adjuster	<a href="#">R7082541</a>	86,28 €	1	light switch, iE R129.06-US	<a href="#">954028</a>	55,93 €
1	headlamp unit left, at SE "level"	<a href="#">982031</a>	450,00 €	1	headlamp unit right, at SE "level"	<a href="#">982041</a>	450,00 €
20	indicator lamp LH front, white, Marelli, ref.-No. A1298260943	<a href="#">982170</a>	64,50 €	20	indicator lamp RH front, white, Marelli, ref.-No. A1298261043	<a href="#">982180</a>	64,50 €
40	fog light Marelli LH, ref.No.A1298201156	<a href="#">982311</a>	119,00 €	40	fog light Marelli RH, ref.No.A1298201256	<a href="#">982321</a>	119,00 €
42	n.a.! Lens, Fog lamp LH	<a href="#">982330</a>	95,20 €	42	Lens, Fog lamp RH	<a href="#">982340</a>	95,20 €
99	Headlamp R170 RH, US, Litronic	<a href="#">582174</a>	238,00 €	99	relay, multi purpose	<a href="#">954328</a>	20,23 €
99	Relay, over Voltage guard, 9-pin	<a href="#">954338</a>	48,20 €	99	el. contact switch, door 129, 170, 124, ...	<a href="#">982021</a>	5,24 €

## 82, 86 Wash Wipe, Wscreen+Headlights, Gen.1

82, 86 Wash Wipe, Wscreen+Headlights, Gen.1

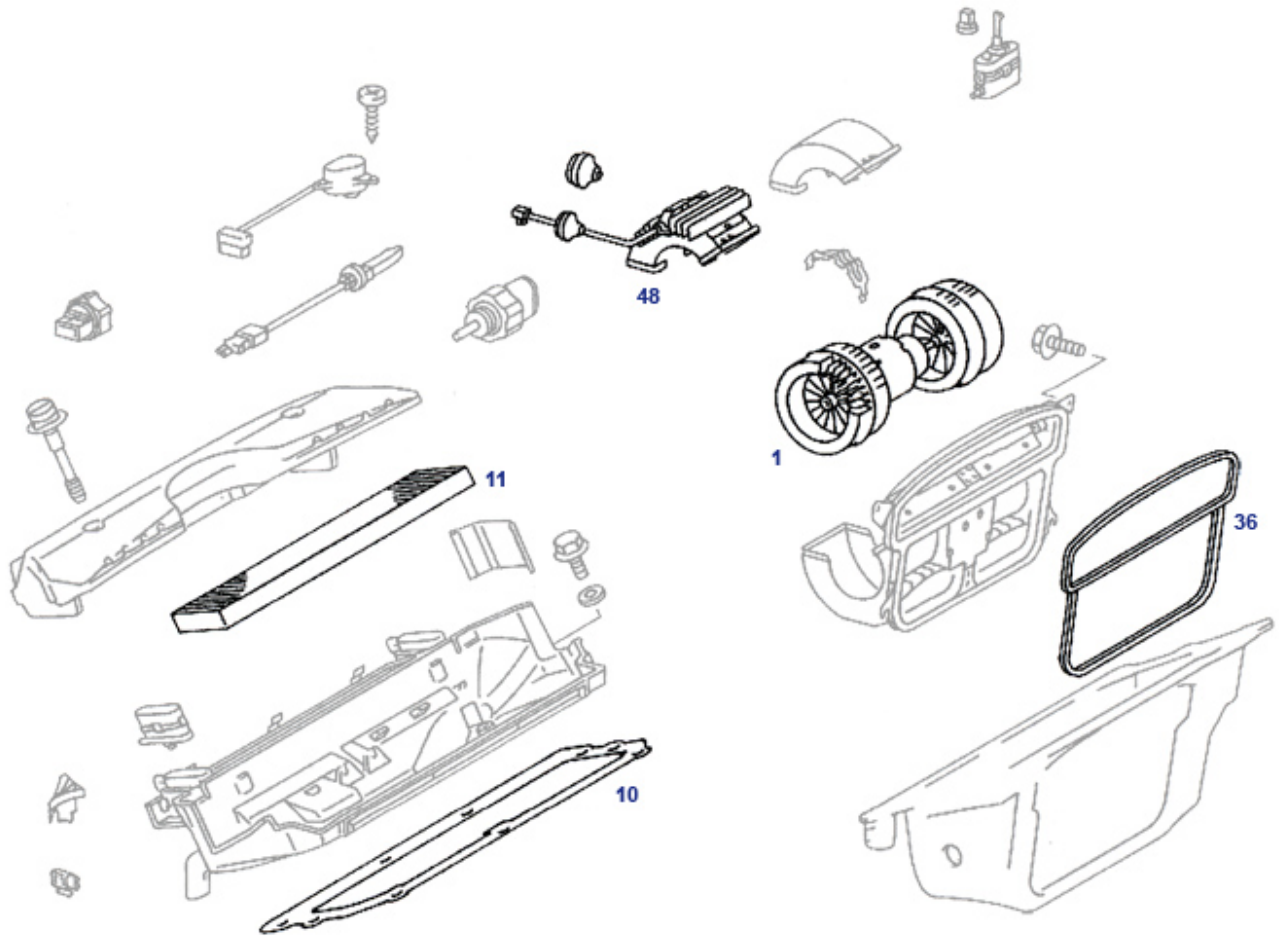


	plug, plastic, closes 9.5mm holes	<a href="#">298688</a>	0,42 €	10	Wiper blade, R129 1st gen., modern production	<a href="#">982730</a>	33,55 €
10	Wiper blade, R129 1st gen.	<a href="#">982230</a>	27,00 €	10	Wiper blade, R129 1st gen.	<a href="#">982830</a>	22,00 €
11	Rubber, wiper blade 1 pce 612mm, R129..	<a href="#">982231</a>	13,24 €	19	Cap, head lamp wiper arm shaft	<a href="#">982229</a>	3,69 €
30	Electric windshield washer pump fits mould, NoName	<a href="#">786004</a>	10,71 €	30	El. washer pump "@ reservoir hutch"	<a href="#">786804</a>	22,19 €
30	Washer pump from VIN	<a href="#">986804</a>	23,80 €	32	Valve, no-return, w'washer 1in2	<a href="#">786042</a>	9,52 €
33	see 298688	<a href="#">298788</a>	1,19 €	33	Tube grommet, pump to reservoir	<a href="#">798771</a>	1,01 €
40	Hose, w'washer, rein..per metre	<a href="#">786040</a>	2,50 €	45	washer level sender	<a href="#">986054</a>	12,00 €

## 83 Heater, Blower, A/C

### 83.a Blower & Housing 1.Generation

83.a Blower & Housing 1.Generation



	Rubbergrommet, e.g. heater feed line, oval D32x38/d16	<a href="#">999003</a>	4,08 €				
1	Blower motor e.g. 300SL	<a href="#">983009</a>	315,35 €	11			
						mono valve, radiator water 129, ... ref A 001 830 0684	<a href="#">983546</a> 53,55 €
						Filter, air duct, 129 up to 1998, brand Meyle	<a href="#">983111</a> 30,35 €



## 99 Accessories



	Tool: support arm joint mover 129, 124, ...	<a href="#">958350</a>	124,95 €		Rbr seal plug antenna	<a href="#">999082</a>	9,52 €
	R129 LH seat pad	<a href="#">991771</a>	380,80 €		R129 RH seat pad	<a href="#">991772</a>	311,78 €
1	Car cover R129	<a href="#">999905</a>	195,99 €	1	Car cover, R129 outdoor	<a href="#">999906</a>	219,56 €
3	Hardtop cart, R107/113/129,no cover	<a href="#">779981</a>	199,99 €	6	Staubfrei Handfeger Cotton, 35cm	<a href="#">999915</a>	49,99 €
7	Wind mesh "Weyer" R129	<a href="#">986805</a>	249,00 €	7	Wind mesh "Weyer" R129	<a href="#">986807</a>	577,63 €
10	Book (German) Engelen "MB 280-600SL"R12	<a href="#">911300</a>	59,38 €	10	Book (german) Allner "MB SLK & SLC"	<a href="#">R7011311</a>	29,99 €