

Mercedes W111 W108 W114...



SLS Import- und Export Handelsgesellschaft mbH

Content

01, 03 Frequently required engine parts M180	5
01, 03 häufig gefragte Motorteile Limo-Benziner ab 1968	7
07/09/14 Air/Fuel, Carb-models '59-'76	8
07 injection systems components if not found in "SL"	10
15 Ignition, Generator, Starter for Petrol engines R4 and R6	11
15.c Ignition 4-cyl div. 190-230	11
15.d Ignition 6-cyl div. 220 to 280	11
15.e Starters and Generators div	11
15.i Distributor rotors, info	11
15.z Spark Plugs Table BOSCH BERU NGK	12
22 Engine mounts W111 Cpe. front	14
22/24 Engine Mounts W111 Cpe. rear	15
25 Clutch, from Ponton up to 114/115	16
25.i Info Ausrücklager Ponton bis 114/115	16
25.h, 29 hydraulic components, clutch release	16
26, 27 frequently asked transmission parts Aut+Man	17
32/35.i Info Hyd. pneum spring assy W110, W111, W108	18
33 Front suspension	19
33.d Front suspension 116,123,126	19
33.c Front suspension W114, ...	20
33.b Front suspension 1959-1972	21
33.a Front suspension 1955-1961	22
35.a Rear Suspension 1955-1962	24
35.b Rear Suspension 1959-1972	26
40, Wheel lug bolts M12, assorted by overall length	28
41.d Flexible prop shaft discs by dimension	29
42/43 Brake: Mastercyl., Lines	30
42/43 Brake (at wheels) 1958 - 1973	32
42/43a Brake discs, several Types 1965 - 1989	34
46.c Power Steering Pump V8 "Vickers"	35
47.b Fuel tank W108-112 S/SE div.	36
47.d el. pump, fuel supply "SE-Types"	37
47.a Tank Ponton	38
49 Exhaust 220SEb	39
49a Exhaust 250/280SE/C, mild steel	40
49b Exhaust 280SE/C 3.5	41
49c Exhaust, 4-cyl. 1955-1967	42
50 Cooling System	43
50.c Radiator hoses from 220 up to 3.5	43
54c Electric, universal small parts at wiring	45
58 Tools for classic MB veh., non universal	47
61.a Floors 1955-1962 "Platform Pontoon"	48
61/62 W111Cpe/Cab Front and Floor	49
61.b Floors and Rep-Panels 1959-1972 "Platform 110"	50
61.c Floors- and Body Rep.-Panelling Types from Platform 114	52
63/64 Panelling Tail+Roof W111Cpe/Cab	53
67.d Window and seal W111-2-door	55
67.c Windows and Door Ponton Cpe/Cab	56
67.g Window glass, G-models	57
67, 72, 75 Weatherstrips Coupe 114, 123, ..	58
68 111Cpe Covering Interior, Insulation	59
69/88 Trims at Sidepanel	61
67/72/75 Weatherstrips 4-door vehicles	62
67/72/75 Weatherstrips W110+111+112(4-door), 108+109	62

67/72/75 Weatherstrips W114+115(4-door), W123, W116	62
72/75 Weatherstrips W126 (4-door), W201, W124	62
72.b Doors W111 Coupe/Convertible	64
75 Bootlid W111-108	66
81/86 Outer Mirror, Wiperblades, Wheel Trim	67
82 Headlamp S/SE/SEb/SE C	69
82.c Tail Lights W111-2-door (Cab/Cpe)	71
83 Heater System W111 Coupe/Cabriolet	73
88 Front Grille Trim	74
88.c Body attachments W111 late style	75
91 Seat komponents fitting 110 up to 116	76
97 flexible hoses, by meter, assorted by inner diameter	77
98.a Rubbergrommets sorted by design	79
98.b frequently required screws for equipment	81
98.c panelling nuts, mechanical locking nuts	87
98.d Seal rings of metal or rubber, Fittings	88
98.e fitting components, plastic, small	89
98.f Filament light bulbs	90

Jacobsrade 27 · D-22962 Siek
Tel. +49(0)40 656 939-0 · Fax +49(0)40 656 939-399
I-net: www.sls-hh.de · e-mail: service@sls-hh.de

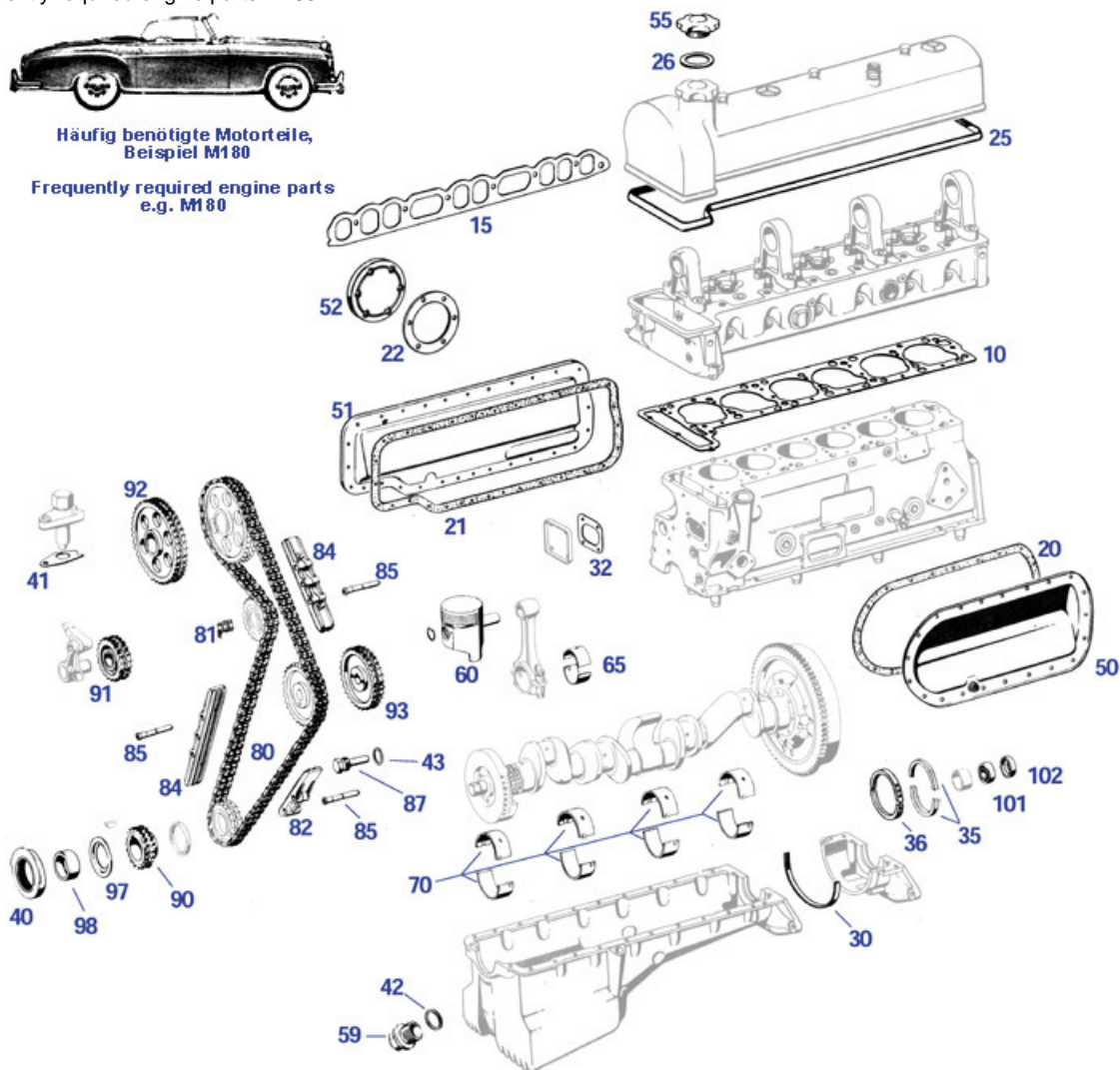
01, 03 Frequently required engine parts M180

01, 03 Frequently required engine parts M180



Häufig benötigte Motorteile,
Beispiel M180

Frequently required engine parts
e.g. M180



bolt	Bolt, hand driven, valve cover	105105	158,98 €		Cyl head gasket 220SE/SEb except LowComp	301021	119,00 €
	hex. socket head cap screw 12.9 M12 X 110	801110	3,69 €		Head gasket set Ponton 190 b	402210	160,41 €
	Sicherungsdraht für Gleitschiene	405099	2,03 €		Piston 81.50 für "220" div.: M180, M127FN	403033	333,20 €
10b	head gasket, referring 1800710080	801021	224,90 €	10b	Cyl head gasket M130V early (eng-no!)	801020	118,60 €
10	Cylinder head gasket 220S.. FN	401023	399,00 €	10	head gasket similar 1800164620, e.g. M180 - 8,7:1	401024	130,00 €
15	Gasket, in/outlet manifold,	414080	23,98 €	19	valve shaft seals 230 (180.945)	305088	12,98 €
20	Gasket for 401002, M180	401030	14,88 €	21	Gasket for 401000, M180	401099	16,66 €
22	Gasket,water valve cover, 6-hole	201029	2,31 €	25	Rockerbox gasket6-cyl: 220S/SE-280S	401010	8,87 €
26	Sealing ring, oil cap (metal screw on cap)	101055	4,30 €	32	A1140110080 Gasket, crankcase, front	401035	9,98 €
35	Felt-seal rr crank, 6mm ->05.61	105047	6,88 €	36	A1800310058 Sealing ring holder, rear,	405046	145,00 €
40	C/S seal ring frt 6-cyl, collar 180°	203946	25,29 €	40	Seal ring C/S frt M127 early, slim shape	303046	12,20 €
40	C/S frt seal ring, collar 360°,M127+others, picture	303946	17,85 €	40	Oilseal, C/S frt., no collar	203046	20,38 €
41	Chain tensioner	205130	349,50 €	41	Gasket,tensioner to head,921->018422	105135	12,88 €
42	Sealing ring fits lage sump drain plug (M26)	299301	1,27 €	43	Seal ring f. bolt 705004	705005	0,68 €

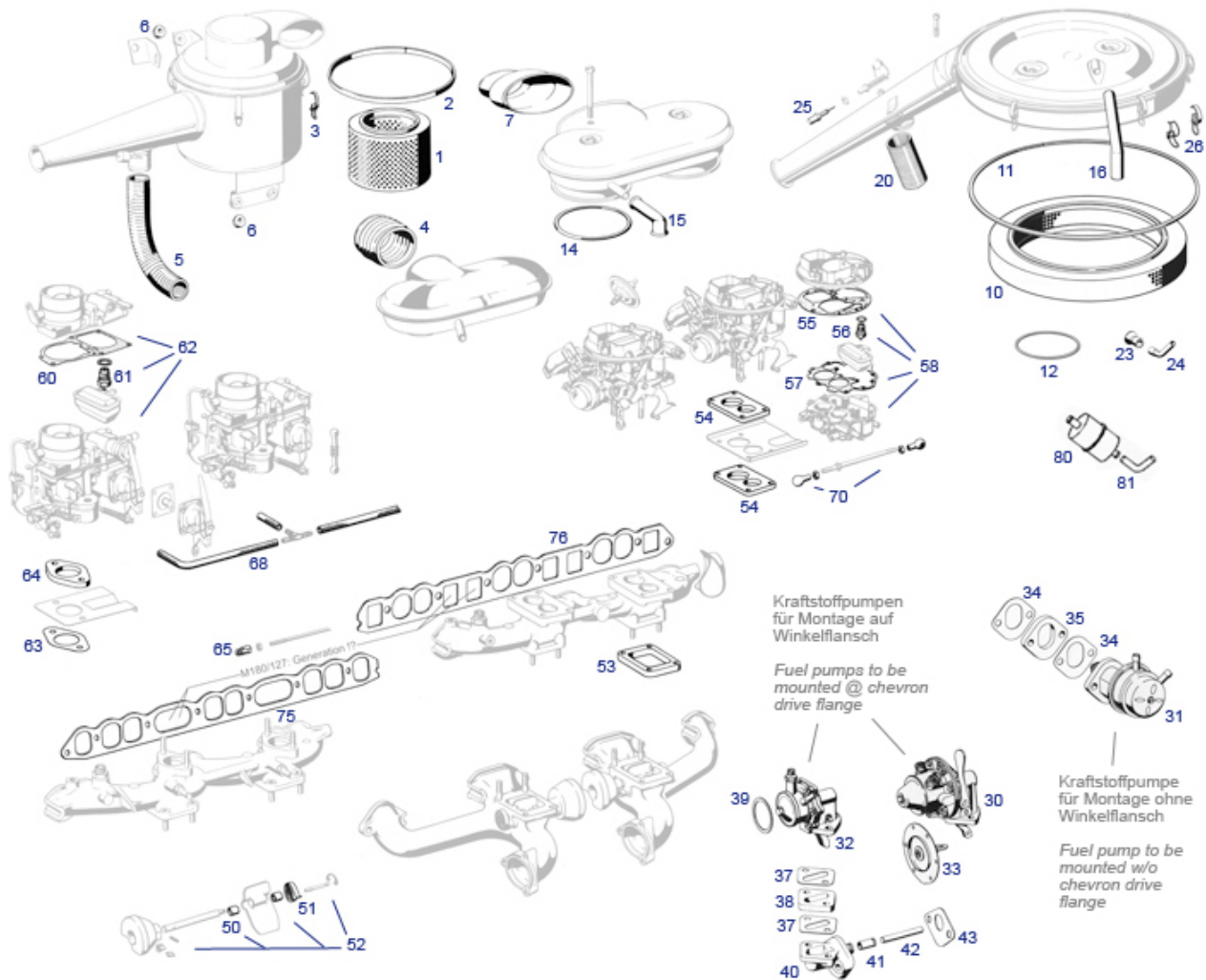
50	A1800100510 Crankcase side cover, lt.,	401002	399,00 €	51	A1800150505 Crankcase side cover, rt.	401000	255,01 €
52	Cylinder block cover, 6-hole	201026	12,50 €	59	Sump plug, version inhex	299300	4,70 €
60	N/A ! A1800301018 last on stock: Piston M180	403030	380,00 €	60	Piston 81.00 für "220" div.: M180, M127FN	403031	374,85 €
60	Piston 80.00 für "220" div.: M180 Standard, M127FN	403028	416,50 €	65	A1800301160 Con. rod bearing set 47.75	303131	998,99 €
70	Cs.bearing set 230SL 59.25mm	203039	163,86 €	70	Cs.bearing set 230SL 59.00mm	203040	176,00 €
70	Cs.bearing set 59.50mm M127	203038	189,45 €	70	Cs.bearing set 230SL 59.75mm	203037	190,00 €
70	Cranks.bearing set 60.00 , M127	203036	199,99 €	80	Timing chain M180	405003	78,89 €
80	Roller chain M115...	599013	65,45 €	81	MasterLink Duplex chain (content of chain)	199013	6,05 €
82	Chainguide,new,all plastic	205010	5,50 €	82	Chainguide short, design meets old original	105006	189,97 €
84	Chain guide, long, alu base	105004	145,92 €	84	Chainguide, long, plastic, FEBI	205029	22,60 €
85	Pin, 51mm- until 8501731	105820	10,76 €	85	Pin for chain guide, L 48,5mm	105830	12,25 €
90	Crankshaft sprocket	103011	76,99 €	91	Tensioner sprocket+bushing, Repro	105002	156,95 €
92	Camshaft sprocket M121,127,129,130,.. FEBI	105001	56,85 €	93	Intermediate sprocket, "B-quality"	105007	96,15 €
97	Oil reject ring	103012	7,79 €	98	Ring, spacer, 230-280SL	203045	31,00 €
101	Pilot bearing	103093	19,52 €	102	Cover, pilot bearing	103094	1,81 €
999	Air filter element 220S, Germany	409030	73,64 €	999	Ign lead set eg 220S Pontoon	415100	107,10 €
999	Metal tube, raw, ign.leads 6-Cyl	415110	29,24 €	999	Vergaserüberholsatz Solex 32/34 PAITA	407150	75,45 €
999	rail, chain guide, several M115 types	505006	44,63 €	999	Ölpumpe z.B. M115.920	518400	214,20 €
999	Vorkammer 200 D	301999	113,05 €	999	1-2-3 distributor 6-cyl ->'62	415801	355,00 €

01, 03 häufig gefragte Motorteile Limo-Benziner ab 1968

O-Ring Peilstabrohr zB 127.982	301397	1,50 €	Gasket intake/exh. manifold	414000	17,99 €
Cyl head gasket e.g. 114.920	501022	76,01 €	Oil pan lower part: V8 sedan	701314	55,47 €
			M116/M117 w.version steel section		
Oil pan gasket, V8 with steel pan, ELRING	701401	32,32 €	oil pan gasket, V8 with steel pan	701418	15,14 €
Cyl head gasket M130V early (eng- no!)	801020	118,60 €	head gasket, referring 1800710080	801021	224,90 €

07/09/14 Air/Fuel, Carb-models '59-'76

07/09/14 Air/Fuel, Carb-models '59-'76



	Air filter insert, e.g. 230/230C M115	509402	30,70 €	1	Air filter element 220S, no-name product	409830	53,55 €
1	Air filter element 220S, Germany	409030	73,64 €	1	Luftfiltereinsatz 200-250 kl.Tonnenform	809400	21,54 €
1	Air filter element	409400	35,33 €	2	Seal for Air filter Lid (1m) A0000942079	214020	4,17 €
4	Air hose 190mm	809001	81,10 €	4	A1290940082	809003	89,99 €
10	Luftfiltereinsatz M130/114 V 250C/280S	509400	35,88 €	14	Seal ring AIT-housg to INAT-Carb	509045	6,14 €
15	Engine ventilation	209805	5,02 €	30	Fuel pump, as original with primer lever with gasket(s) screw-in fitting, fuel hose connection, M12X1,5 8mm diam.	109090	308,88 €
31	Mech. fuel pump, engines with no drive flange	509092	70,50 €	32	Fuel pump, several carb cars e.g. 115	409012	6,19 €
32	Fuel pump, div., see picture	509790	71,00 €	32	Repair Kit Fuel Pump A0005860009	509190	60,69 €
32	Fuel pump similar 509190, but labelled "Pierburg"	509090	97,28 €	33	Gasket, fuel pump to insul.flange	109010	93,91 €
34	Gasket at crankcase, 190SL, M110 early,	109004	0,51 €	37	Gasket, fuel pump to insul.flange	109002	1,88 €
43	Gkt.Rt.h. cover .982(7)986,990	709004	2,34 €	50	Coil spring, warm up flap shafts	414016	14,10 €
53	Flange insulating	414100	19,04 €	58	Rep-kit carb. INAT 35/40	507280	129,70 €
60	Gasket Carb.lid	407060	6,55 €	61	Dichtring zB am Nadelventil	499078	2,17 €
62	Vergaserüberholsatz Solex 32/34 PAITA	407150	75,45 €	62	Starterkraftstoffdüse "100"	407079	16,27 €
68	1m Fuel hose 5,5mm e.g. 107-fuel vent.	247847	8,98 €	68	Hose, 8,5/15mm, 1 metre	247050	12,60 €

68	1m. Fuel hose 7,5x13,0 flat surface	247007	8,50 €	68	1m Fuel hose tank->pump	247005	10,41 €
					11/17mm, fabric		
70	Nut, 5mm, right hand thread	199095	0,24 €	70	Ball socket with Lt. hand threads	230004	2,44 €
70	Nut, 5mm Lt. Hd. Threads	230006	0,83 €	75	Gasket, in/outlet manifold,	414080	23,98 €
76	Manifold Gasket M127-130	249090	14,40 €	80	Fuel filter	447701	12,45 €
	"REINZ"						

07 injection systems components if not found in "SL"

Gasket	307088	2,74 €	Luftfiltereinsatz zB M102/W123	609409	19,81 €
Air hose 190mm	809001	81,10 €	A1290940082	809003	89,99 €
Rubber cap, ECU-unit connector	854359	69,91 €	Inj-Distr-Rep-Kit 280 Alloy-K-A	507807	95,18 €
Inj-Distr-Rep-Kit 230	507804	83,98 €	Inj-Distr-Rep-Kit 230	507805	72,79 €
Inj-Distr-Rep-Kit W201/124	507802	91,45 €	Gasket kit Inj-pump, fits engines 6.3	807630	154,70 €
Flange for 2 injectors, 220SEb	307017	90,44 €	Air filter e.g. 220SE (127.980)	309401	77,35 €
Hose, IAC to KE bottom, M102 (no-AC)	509248	10,35 €	Hose, breather to IAC valve M102 KE	509249	17,26 €
Lower rubber housing, CIS-flap M102	W2414320	58,89 €	hose, idle air valve to manif. 102 early	509215	9,07 €

15 Ignition, Generator, Starter for Petrol engines R4 and R6

15.c Ignition 4-cyl div. 190-230

spark plug connector Bakelit angled	415056	14,99 €	Metal tube, raw, ign.leads 6-Cyl	415110	29,24 €
1-2-3 Ignition Distributor fits	515801	355,00 €	Ignition lead set, div. M102	515124	74,85 €
multiple 4 Cyl. models					
Rotor e.g. M102.980, BOSCH	515213	17,60 €	Distributor cap e.g.	515209	145,00 €
			M102.96xx/98xx NO CAT, BOSCH		
Connector	715016	18,20 €	Wire bushing with treaded pin	515999	2,25 €
rubber cap ID 11mm eg spark plug	515998	0,87 €	Spark plug NGK BP6 EFS, M102	515219	4,10 €
connectors			KE-Europe, M103.980		
Ignition coil, late 190SL, others,	115702	49,98 €	Ignition coil, late 190SL, others,	115602	90,90 €
Beru			NGK		

15.d Ignition 6-cyl div. 220 to 280

Condenser f.'Alu' w.no1-lead	215037	27,49 €	Connector	715016	18,20 €
Ignition coil, late 190SL, others,	115602	90,90 €	Distributor cap 230-280SL "A"	215708	55,69 €
NGK			made in Germany		
Ignition coil, late 190SL, others,	115702	49,98 €	Vacuum unit, dist. , 'A', Repro, no	515834	63,14 €
Beru			tech documents		
Rotor e.g. M114.980	515812	10,59 €	rubber cap ID 11mm eg spark plug	515998	0,87 €
			connectors		
Wire bushing with treaded pin	515999	2,25 €	Rotor e.g. M114.980	515212	44,57 €
spark plug connector Bakelit angled	415056	14,99 €	Distributor cap e.g. M114.980	515208	109,00 €
Rotor, e.g. M130 E late, 5kOhms	815008	7,90 €	Pointer set 280S...	815003	9,40 €
Kontaktsatz M180, M127 früh Beru	415813	10,70 €	1-2-3 distributor 6-cyl ->'62	415801	355,00 €
Metal tube, raw, ign.leads 6-Cyl	415110	29,24 €	Ign lead set eg 220S Pontoon	415100	107,10 €

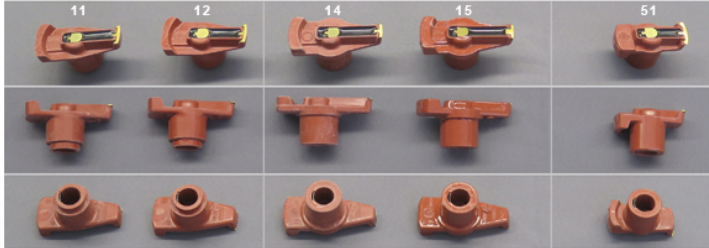
15.e Starters and Generators div

Lima-Spannschraube	415023	15,17 €	co-current flow regulator 14V 30A	415066	319,99 €
Regulator 14V/11Amps (130W)	415065	225,00 €	Starter drive gear 190SL, no name	115830	249,50 €
Bosch, elektr.					
Regulator for 30A DC Generators,	415766	261,80 €	Starter BOSCH, 1,1 kW, div. SLK +	R7015200	195,00 €
220SE, Repro			C-Class		

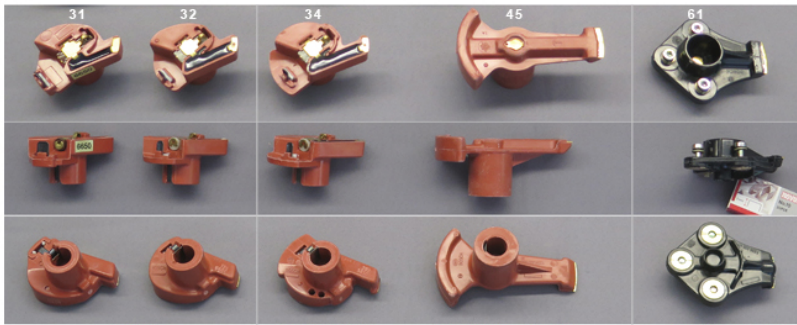
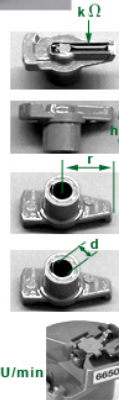
15.i Distributor rotors, info



4- und 6-Zylinder, Generationen kontaktgesteuerte Zündung
(und erste Generation mit Nachschalt-Transistor)



M110 ohne Fliehkraft, M114E M116/M117
Generation mit weiter erhöhter Zündspannung
ohne Fliehkraftbegrenzer (D-Jet bis FN, K-Jet ab..bis..)
4-Zyl., zB. M102



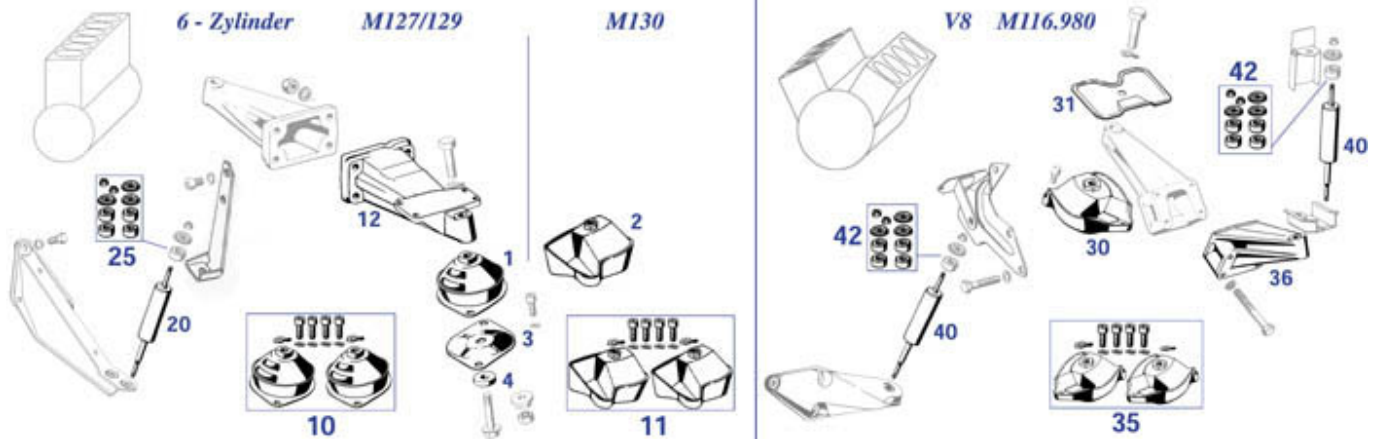
M110 M116/M117 M116/117 ab EZL M103, M119 :
Generation mech. Fliehkraftbegrenzer (Kat'85, RUEF) Typen mit NW-
(Übergangslösung: D-Jet ab FN, K-Jet bis FN) Stirnverteilern

1	Rotor distr.,Beru, 190SL, R113 "iron cast distr"	115004	20,75 €	2	Distributor rotor button	115024	18,80 €
3	Distributor rotor, phenolic resin	115026	16,91 €	4	Rotor arm, 280SL 'A' , Bosch	215011	35,99 €
5	Rotor distr.,FACET, 190SL, R113 "iron cast distr"also 1-2-3	215704	14,88 €	6	Rotor distr.,Bosch, 190SL, R113 "iron cast distr"	215804	59,99 €
7	Rotor, e.g. M130 E late, 5kOhms	815008	7,90 €	11	Rotor e.g. M114.980	515212	44,57 €
11	Rotor e.g. M114.980	515812	10,59 €	12	Rotor 280 from 110.990 Bosch	715212	38,54 €
14	Rotor , V8, eng Data req	715312	70,00 €	15	Rotor V8 ca. '81-'85	715313	43,20 €
32	Rotor 280 with limiter 6600	715213	207,66 €	34	Rotor 450 and 5.0 early	715411	369,00 €
45	Rotor arm V8 09.85->	715412	65,69 €	51	Rotor e.g. M102.980, BOSCH	515213	17,60 €
51	Rotor e.g. M102.96... from Cat/EZL	515214	12,90 €	61	Distrib.rotor e.g. 300SL-24 M104 up to FN, Bosch	915311	62,23 €

15.z Spark Plugs Table BOSCH BERU NGK

22 Engine mounts W111 Cpe. front

22 Engine mounts W111 Cpe. front



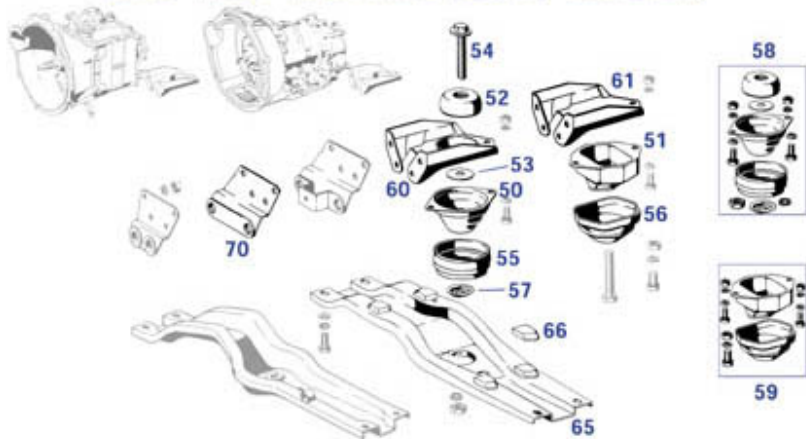
1	Enginemountfrt.6-cyltypes	222010	60,00 €	2	Engine mount W111Cpe. 280SE/C,frt. Lt.+	322025	69,50 €
4	Rubber shim 5mm eng support buffer	122039	2,08 €	40	Engine r'damper. to 06.72	724010	66,76 €

22/24 Engine Mounts W111 Cpe. rear

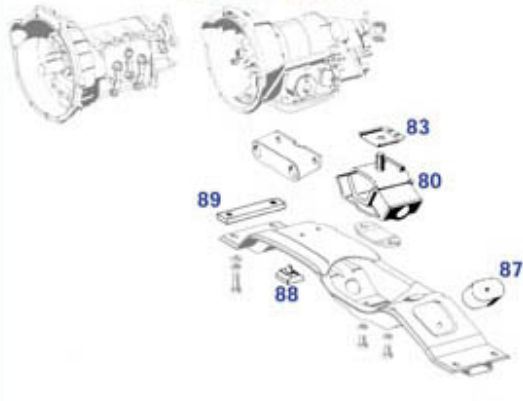
22/24 Engine Mounts W111 Cpe. rear



02.1961 - 05.1969 "kurze Getriebe" / Gearbox "short housing"



05.1969 - 07.1971



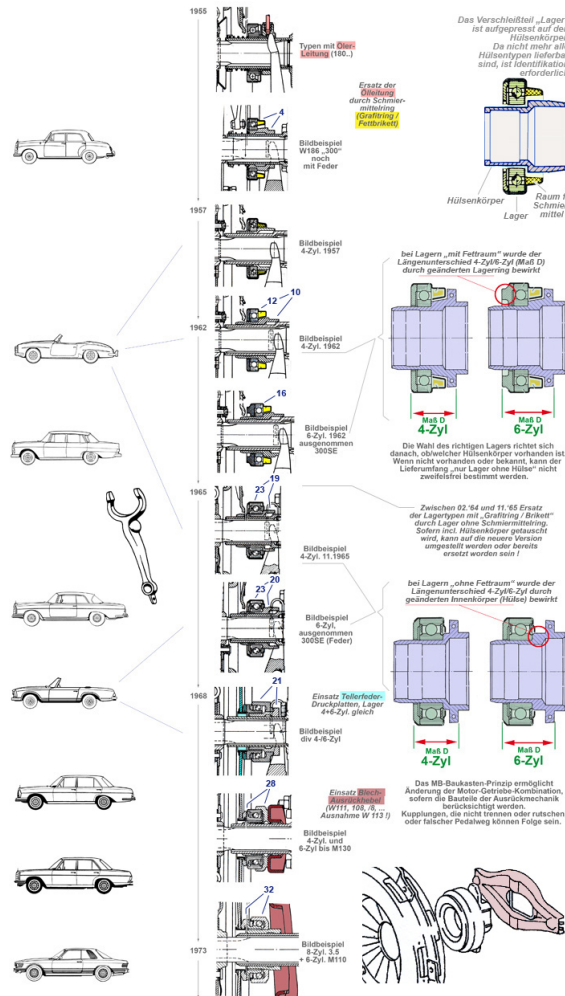
52	Rubberbuffer/bellow	322035	5,15 €	53	Rubbershim	322039	1,20 €
54	Bolt,rr.eng.mount 220SE/230SL early	222021	13,66 €	55	Bellows, rear eng.mount	122830	10,13 €
57	Plate, bellows @ engine mount	122035	9,53 €	80	Engine mount rr.'S/SE' 5.69 -->	322022	74,49 €

25 Clutch, from Ponton up to 114/115

25.i Info Ausrücklager Ponton bis 114/115

25.i Info Ausrücklager Ponton bis 114/115

Info: Entwicklung und mögliche Ersetzungen der Ausrücklager
in MB-PKW 1955-1975
SL-Typen, div. Limousinen ausgenommen HYDRAC und 300/300S/SE
Hilfe zur Identifikation der passenden Einzelteile



div	Spring clamp	125013	19,85 €	div	Reverse light switch, console shifter, ca. 69-80	726808	59,99 €
	Thrust plate 228mm, leaf spring style	525002	247,13 €	2	T/O bearg, replaces oil-line-version	425804	115,99 €
12	T/O bearing 4-Cyl, fits '58-'65 -sleeve	125002	69,85 €	12	T/O bearg 4-Cyl, fits sleeve '58-'65	125802	84,49 €
16	T/O bearg. w/o sleeve 6-cyl 62-65	425007	83,30 €	19	T/O Clutch bearg. with body, 4-Cyl/FN	325003	142,99 €
20	T/O bearing+bushing 250/280SL +sev 6-Cy	225803	219,19 €	21	F+S 3151137101 Clutch bearing 280SL-113 H30*	225004	337,17 €
21	Clutch bearing 280SL-113 H30* Reprö ref 3 151 137 101	225704	297,50 €	23	Release bearing fits sleeve '65-'68	225807	88,95 €
28	T/O bearing cpl W114/115 FN, see photo	525003	24,28 €	32	T/O bearing 280SL/C, 350SL/C, see photo	725004	75,35 €

25.h, 29 hydraulic components, clutch release

Nehmerzyl. z.B. 110.010	329004	78,90 €	Rep.-Satz Nehmerzylinder	329033	14,64 €
excentrical nut for clutch pedal	529999	10,71 €	Rep.-Satz Geberzylinder zB 350SL/C FN	729034	22,68 €
Nehmerzylinder W111/108 3.5	829004	166,60 €	Geberzylinder 111/108 69->, 114	829009	118,65 €
			div		

26, 27 frequently asked transmission parts Aut+Man

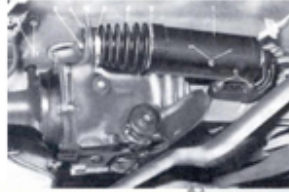
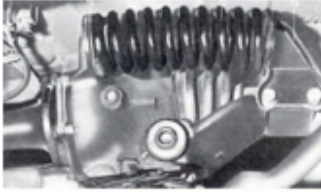
26, 27 transmission parts Aut+Man



housing_ parts	Plug screw M22 with collar	114035	24,61 €		Nut, to shaft	526071	5,59 €
housing_ parts	Autom.oil filter+gasket,8-cyl->3.80	727802	19,90 €		Oil pan Autom. 722.4 xx	W2327207	130,90 €
housing_ parts	gasket kit, 4-speed, 716.2, e.g. 201-124	526300	50,58 €		oil seal output shaft, 42 X 62 X 8	R2927040	10,06 €
	gear bearing set, 8pcs.	226860	809,20 €		Seal ring rear gearbox shaft, e.g. 4sp G76/18..	526230	5,07 €
housing_ parts	Lock for 3 way flange	126871	4,33 €		Seal ring input shaft eg G717 5-sp	926042	14,35 €
housing_ parts	Gasket set, manual-4-speed gears FN	726300	37,97 €	housing_ parts	Seal, Autm-oil pan, Autom-box types 722.4	527204	4,57 €
	clutch-set 1968 - 280, 4gear shift	225702	499,80 €		Seal ring man-gear driveshaft, OD=47mm	526042	3,68 €
	Seal ring inp-shaft eg G716,717..	526030	8,71 €	housing_ parts	Plug screw with collar, M24	226046	2,45 €
housing_ parts	Seal Ring gear box drain plug	226047	0,54 €		ball bearing countershafts, 25x62x17	226076	58,49 €
housing_ parts	Rep.-Satz Nehmerzylinder	329033	14,64 €		Ball bearing, main shaft	226959	100,16 €
5	synchronizer ring 1152623134	526050	8,33 €	5	Synchronizer ring 115 262 1634, OD ca 71,5	526052	27,37 €
5	Synchronizer ring 1152623034	526053	27,37 €	5	Synchronring	226850	64,38 €
5	Synchronizer ring e.g. G717, 1152622934	526051	27,37 €	7	Reverse light switch, console shifter, ca. 69-80	726808	59,99 €
7	grommet, diagonal	998752	4,74 €	10	Cuff steering wheel circuit LHD	826006	14,65 €
12	link, pan, shift mechanism	326034	8,00 €	12	clip, e.g. man.-shift links	526045	0,93 €
12	End piece shift linkage	726038	10,77 €	12	excentrical nut for clutch pedal	529999	10,71 €
15	Buchse, Schaltgestänge	726111	1,43 €	15	Change lever bearing, autom.	726110	1,50 €
20	Plastic inlay, shift gate C111, "p" front	326101	22,49 €	25	Gear lever knob,black,4 speed, Repro	226000	46,34 €
25	Knob ivory, 4-speed, push-on, Repro	226002	45,80 €	40	Rubber surround, lever box ->'85	727005	7,25 €

32/35.i Info Hyd. pneum spring assy W110, W111, W108

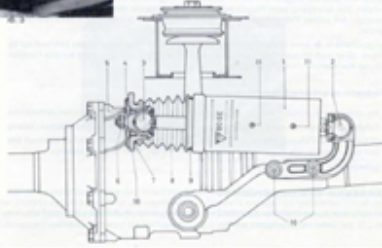
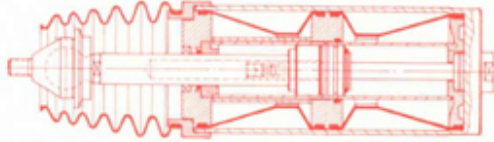
32/35.i Info Hyd. pneum spring assy W110, W111, W108



Seit ca. 1967 wird als Abhilfe gegen ein "hängendes Fahrzeugheck" bei beladenen Fahrzeugen (Typen mit Pendelachse) der Hydropneumatische Ausgleichsdämpfer "Boge-Hydromat" an Stelle der Ausgleichsfeder über dem Differential eingesetzt.



Einsendung Ihres Altteils, Annahme und Identifikation



Technisch gesehen ist es der Vorläufer der hydraulischen Niveauregulierung in einem Dämpfergehäuse ohne eine externe Öldruckpumpe.

Im liegend eingebauten, kompakten Gehäuse führt das Eintauchen bei Last zu einer Ventilreaktion und bewirkt bei nachfolgenden Federvorgängen ein Umpumpen von Öl gegen einen membrangetrennten Gasdruckraum.

Ein neuer oder fachgerecht überholter Dämpfer hebt das Fahrzeugheck nach kurzer Fahrstrecke (einigen Feder-Vorgängen) auf das normale Niveau.



Überholung Ihres Altteils nach Prüfung, Befund+Angebot. Artikelnummer **832807**



Vor der Fahrt



Mit Wegfall der letzten Pendelachs-fahrzeuge (Ende 1972) wurde der "Hydromat" obsolet; Fahrzeuge mit Schräglenkern erhielten bei Bedarf Niveauregulierende Dämpfer und einen Motorantrieb für eine externe Hydraulikpumpe.



Neuteil **832007**

Liefersituation bitte erfragen



nach ca. 300 m

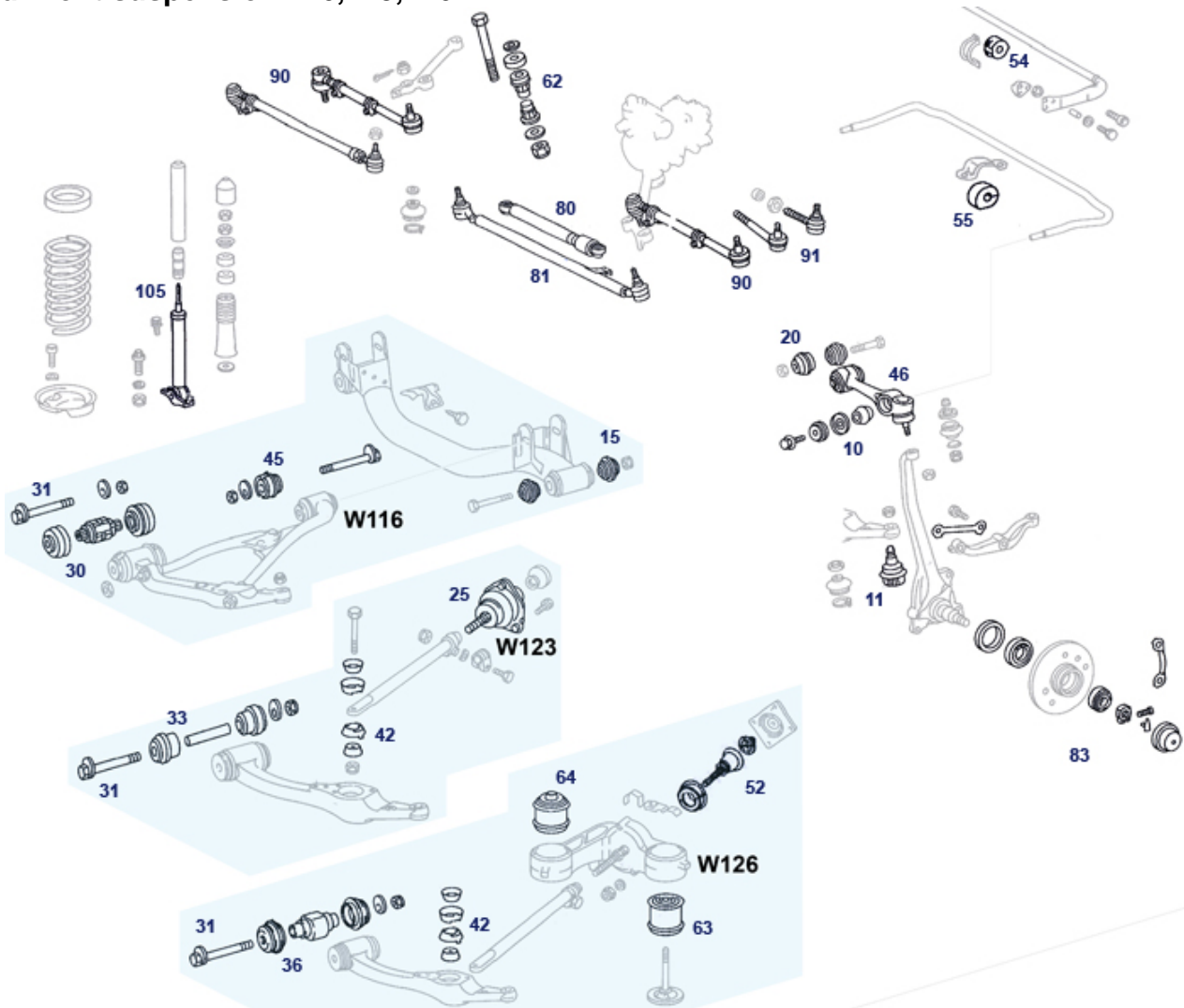


Heute können Sie den hydraulischen Ausgleichsdämpfer als Neuteil bestellen oder Ihr Gebrauchteil zwecks "Befund und Überholung nach Angebot" zu uns einsenden. Wir bitten um Verständnis, im Vorwege nur einen PreisBEREICH angeben zu können. Die Arbeiten erfolgen in einem ZF-Sachs Fachbetrieb, der über die erforderlichen Boge-Spezialeinrichtungen verfügt. Kosten von Prüfung und Befund werden beim Überholungs-Auftrag verrechnet. Vorsicht: der Ausbau des Teils kann (wie jede Federn-Demontage) gefährlich sein, bitte beachten Sie die Montagehinweise in der Werkstattliteratur. Von einer Dämpferzerlegung durch fachunkundiges Personal wird dringend abgeraten.



33 Front suspension

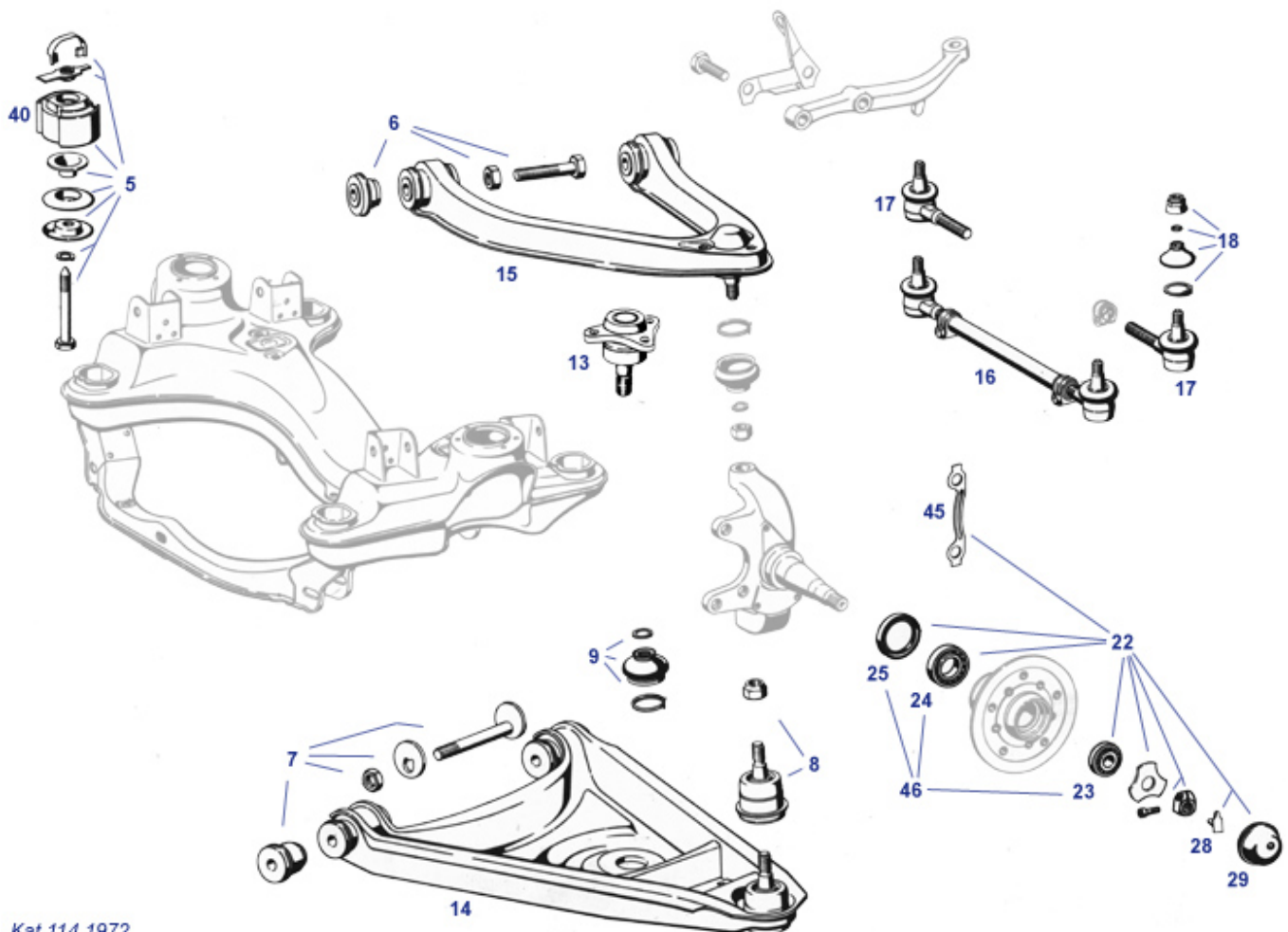
33.d Front suspension 116,123,126



	Clamp nut multiple cars from 1956-1985 A1203340772	233077	32,53 €		Bilstein-Stoßdämpfer W123	932100	172,55 €
	Washer at clamping nut, no inner pintle	233972	27,97 €		Rubber bushing, subframe tube W116	633065	13,89 €
	Tie rod end, LH. threaded, FEBI	533091	13,69 €		Tie rod, LHD-left, FEBI	633089	42,19 €
	Bilstein-Stoßdämpfer W123 "HD"	932101	142,80 €		Locking nut, bearing stud div.	933077	7,30 €
	Rep kit wheel bearing from 06.'61, FEBI	233880	73,24 €	10	Bushing, ctrl-arm to bar, 116, 123, FEBI	633032	1,79 €
10	Rep.-kit ctrl-arm to bar, 116, 123, FEBI	633132	43,90 €	11	Ball joint, lower, 116, 123, 126, FEBI	633110	15,47 €
20	Bushing, upper, inner, 116, 123, FEBI	633021	7,85 €	25	Strut mount 123, , .., FEBI	633015	63,07 €
30	Rep kit frt ctrl arm inner lower 116,123 früh, FEBI	633030	30,94 €	31	Rep kit excenter pin	633031	13,09 €
33	Rep kit frt ctrl arm inner lower 123 late, 126, FEBI	633033	51,30 €	42	Rep kit frt ctrl arm @ strut 123, 126, FEBI	633042	29,51 €
45	Rep.-Kit, lower ctrl-arm inner, per side, W116	633045	64,33 €	46	Upper ctrl-arm RH, with joint, 126, FEBI	633049	79,14 €
46	Upper ctrl-arm LH, with joint, 126, FEBI	633048	79,14 €	46	Upper ctrl-arm LH, with joint, 116,123, FEBI	633046	52,36 €
46	Upper ctrl-arm LH, with joint, 116,123, FEBI	633047	52,36 €	52	Rep.-Kit strut mount per side, W126 up to FN	633052	99,99 €
52	Rep.-Kit strut mount per side, W126 from FN	633053	73,78 €	55	Torsion bar mount e.g. W126	632052	9,82 €
62	Steering arm repair kit from '68	246062	34,45 €	63	Rubber mount, axle support W126,	633063	39,00 €

64	FEBI Rubber mount, axle support W126, FEBI	633064	35,70 €	80	FEBI Steering damper	246080	45,09 €
80	Steering damper	246880	39,63 €	81	Lenkstange W116, 123 LHD	646080	42,90 €
81	Lenkstange W126, LHD	646081	41,65 €	83	Set frt wheel bearg. one side, W116,123,126 ABS	633083	27,31 €
83	Set frt wheel bearg. one side, W116,123,126 no ABS	633081	22,76 €	90	Tie rod, LHD-left, FEBI	633085	35,58 €
90	Tie rod, passenger side, FEBI	633090	42,19 €	91	Left Tie Rod end -"Febi"	233091	22,85 €
91	Right Tie Rod end -"Febi"	233092	22,85 €	91	Tie rod end	233991	28,99 €
91	hex nut M10 X 1, prevailing torque type, tie rod end	233094	1,51 €	91	Tie rod end, RH. threaded, FEBI	633094	13,09 €
91	Tie rod end, Lt. thread, brand MEYLE	233191	22,49 €	91	Tie rod end, RH. threaded, FEBI	533092	13,69 €
91	Tie rod end, Rt. thread, brand Meyle	233192	22,99 €	91	Spurstangenkopf, Rechtsgewinde	233992	27,00 €

33.c Front suspension W114, ...

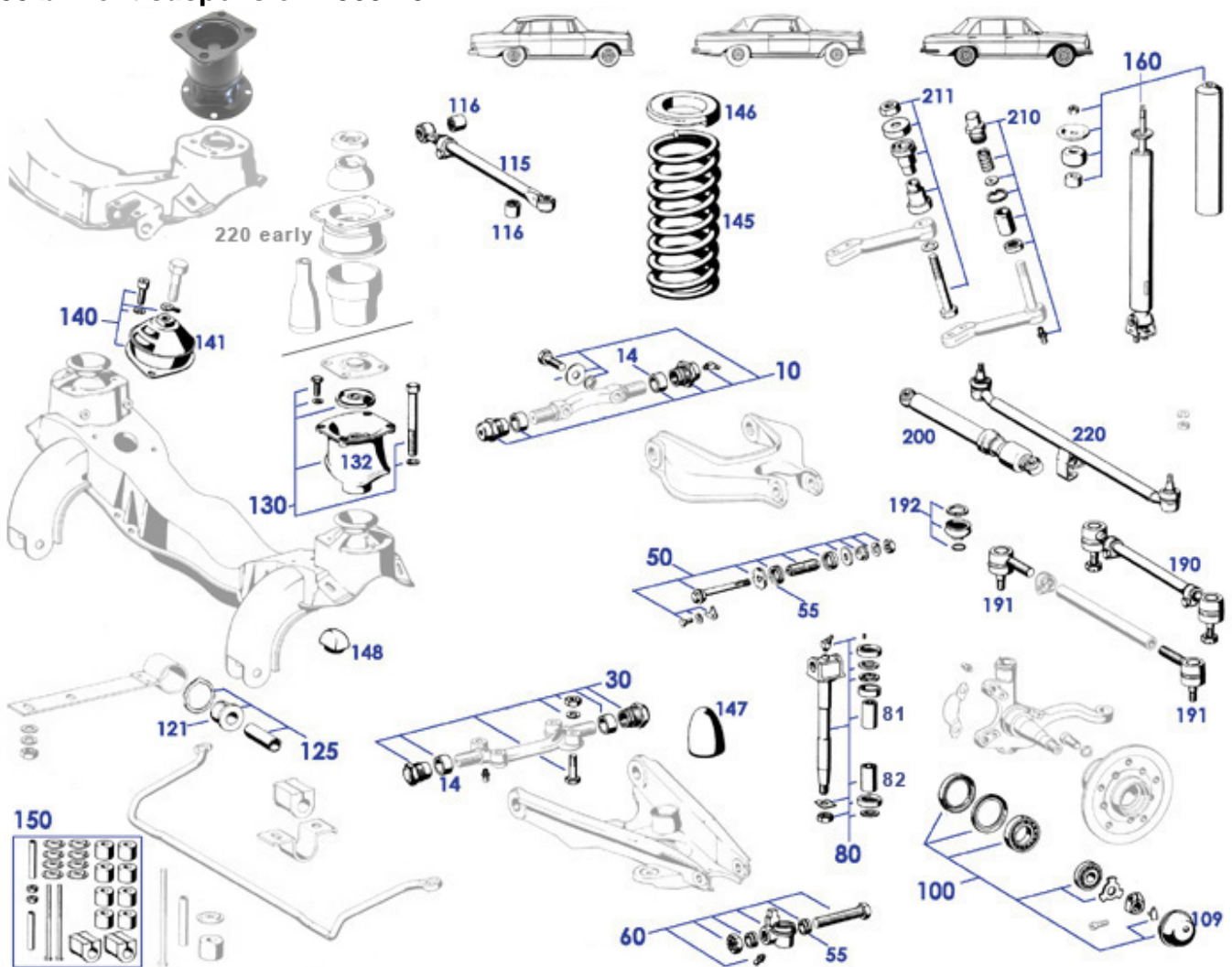


Kat 114 1972

	Castle nut M10X1, long shape, early joint	133006	2,38 €		Rep kit wheel bearing from 06.'61, FEBI	233880	73,24 €
	Castle nut M10X1, thin shape, early joint	133706	2,45 €		Washer at clamping nut, no inner pintle	233972	27,97 €
	Self locking nut M12 X 1,5	733113	1,93 €		Split pin 2,5 x 25, fits crown nuts seering linkage	133007	0,24 €
	Bilstein shock absorber 114/5,frt.	532102	184,45 €		small rubber donut at roll bar bracket rods	732817	2,74 €
5	Frt axle mount kit "Meyle"	758801	177,00 €	5	Repr.kit, front sub-frame	758101	140,47 €
6	Repr. kit, swing arm, upper in. FEBI	733020	81,50 €	7	Repr. kit, swing arm, lower in.	733030	64,88 €
7	Rep.-Kit lower inner, FEBI	733830	52,00 €	8	Knuckle jt.(lower) 114...,107 up to	733110	51,48 €

13	Upper Ball Joint R/C107 up. to 08.1985	733112	29,57 €	15	85 Swinging arm,upper, Rt.to 8.85 FEB	733800	123,28 €
15	Swinging arm,upper, Rt.to 8.85 FEB	733801	123,28 €	15	Swinging arm,upper, Rt.to 8.85 FEBI	733101	132,09 €
15	Swinging arm,upper, left.up to 08.1985, FEB	733100	132,09 €	17	Tie rod end, Lt. thread, brand MEYLE	233191	22,49 €
17	Right Tie Rod end -"Febi"	233092	22,85 €	17	Tie rod end	233991	28,99 €
17	Spurstangenkopf, Rechtsgewinde	233992	27,00 €	17	Left Tie Rod end -"Febi"	233091	22,85 €
17	Tie rod end, Rt. thread, brand Meyle	233192	22,99 €	22	full bearg-kit 114/5, 107 up to 85	733080	55,16 €
23	Wheel bearing, outer	142630	18,67 €	24	Wheel bearing, inner, 06.61 -> 89	142580	23,79 €
25	Seal ring eg.frt wheel bearg.114...107	733082	10,71 €	28	Contact	233078	3,38 €
29	Cap, wheel bearing hub '85->	733079	1,06 €	29	Cap, front wheel bearings 110-115, ..	233079	9,76 €
33	Clamp nut multiple cars from 1956-1985 A1203340772	233077	32,53 €	40	Rubber, front sub-frame	733060	42,14 €

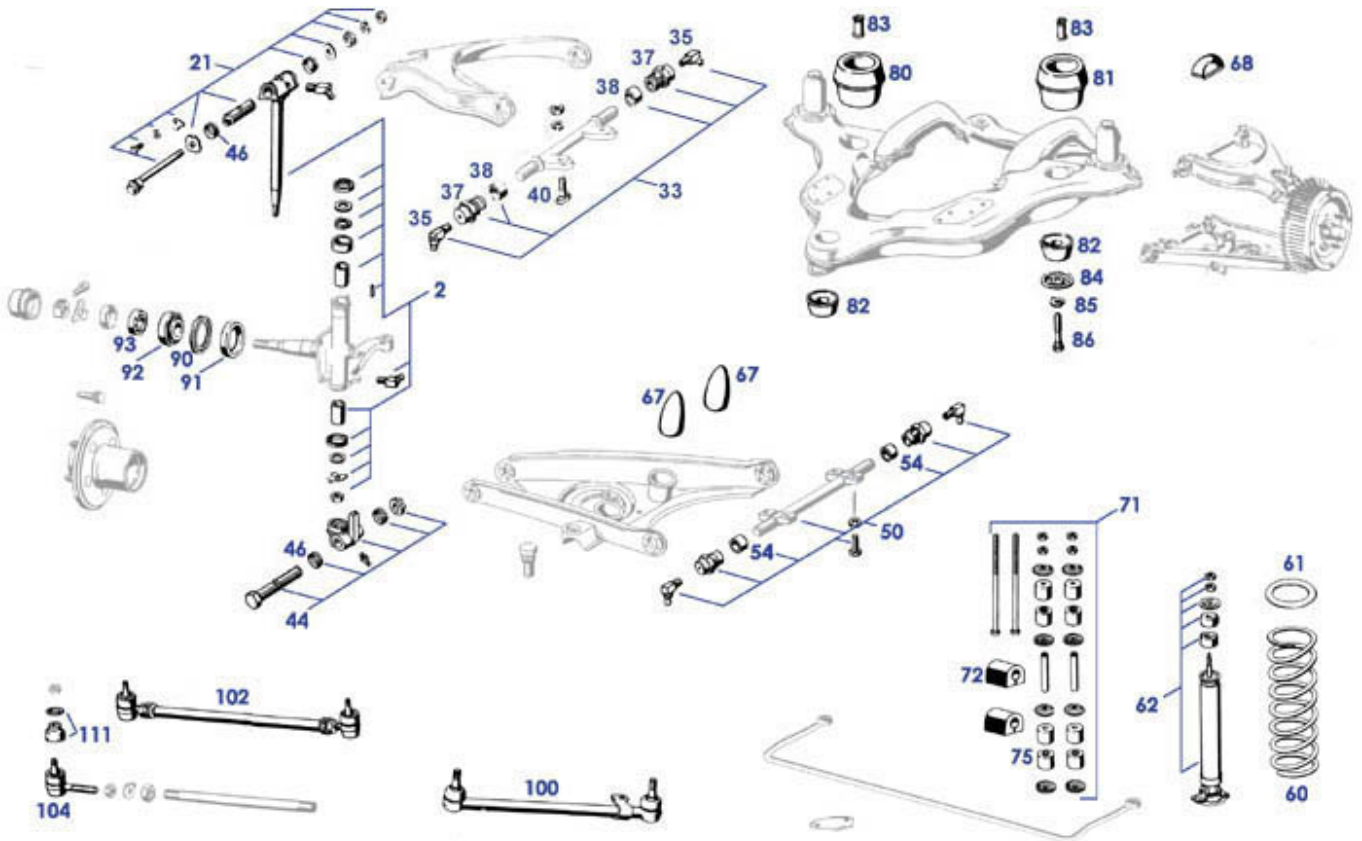
33.b Front suspension 1959-1972



	Castle nut M10X1, long shape, early joint	133006	2,38 €		washer 13mm zinc plated	333043	0,20 €
	Split pin 3x36	133059	0,18 €		Washer at clamping nut, no inner pintle	233972	27,97 €
pin	pin 2,5 m6 X 6	233750	0,31 €		Castle nut M10X1, thin shape, early joint	133706	2,45 €
	Cotter pin 2,0 x 25, e.g. tie rod nuts	299460	0,12 €		Guide tube with bushings OEM	233933	255,01 €

	Split pin 2,5 x 25, fits crown nuts seering linkage	133007	0,24 €		Quality A1113300330		
14	Sealing rings, Upper or lower	133041	2,05 €	50	Engine ventilation	209805	5,02 €
50	Control arm rep. kit, upper outer, FEBI	133010	81,55 €	55	Repair kit, control arm outer, lower+upper 1 side FEBI	133025	127,40 €
60	Control arm rep. kit, lower outer, FEBI	133030	79,99 €	80	Seal Ring, upper & lower	133015	6,77 €
82	Bush, king pin, lower=L45mm	233053	14,28 €	100	King pin repair kit	233050	102,45 €
106	Clamp nut multiple cars from 1956-1985 A1203340772	233077	32,53 €	109	Rep kit wheel bearing from 06.'61, FEBI	233880	73,24 €
121	Rubber bushing, orig quality	233096	24,86 €	130	Cap, front wheel bearings 110-115, ..	233079	9,76 €
132	Buffer, rubber,subframe mount	233060	96,52 €	130	Repr.kit, 108-109, 111Cpe from VIN, FEBI	858801	165,01 €
145	Spring, for W111 limo & W110	332012	232,86 €	141	Enginemountfrt.6-cyltypes	222010	60,00 €
146	Mount,coil spring, 25mm	232012	57,37 €	146	Mount,coil spring, 30mm	232013	57,37 €
147	Rubber buffer, lower ctrl arm	233066	5,95 €	146	Mount,coil spring, 20mm	232011	57,37 €
150	Torsion bar rep-kit fits bar 24,5 (rbr 23)	833072	161,38 €	148	Rubber buffer, upper ctrl arm	233065	9,76 €
150	Torsion bar rep-kit fits bar23,5 (rbr22)	833070	133,99 €	150	Bushing kit, fits 20mm torsion bar (incl 18mm rbr)	233070	86,06 €
151	Rubber 22.5 fits torsion bar 23.5	932050	23,57 €	151	Rubber 20 fits torsion bar 21.5	832050	31,25 €
191	Tie rod end, Rt. thread, brand Meyle	233192	22,99 €	191	Left Tie Rod end -"Febi"	233091	22,85 €
191	Right Tie Rod end -"Febi"	233092	22,85 €	191	Tie rod end, Lt. thread, brand MEYLE	233191	22,49 €
				220	set steering rod with special screw and washers	246660	38,08 €

33.a Front suspension 1955-1961

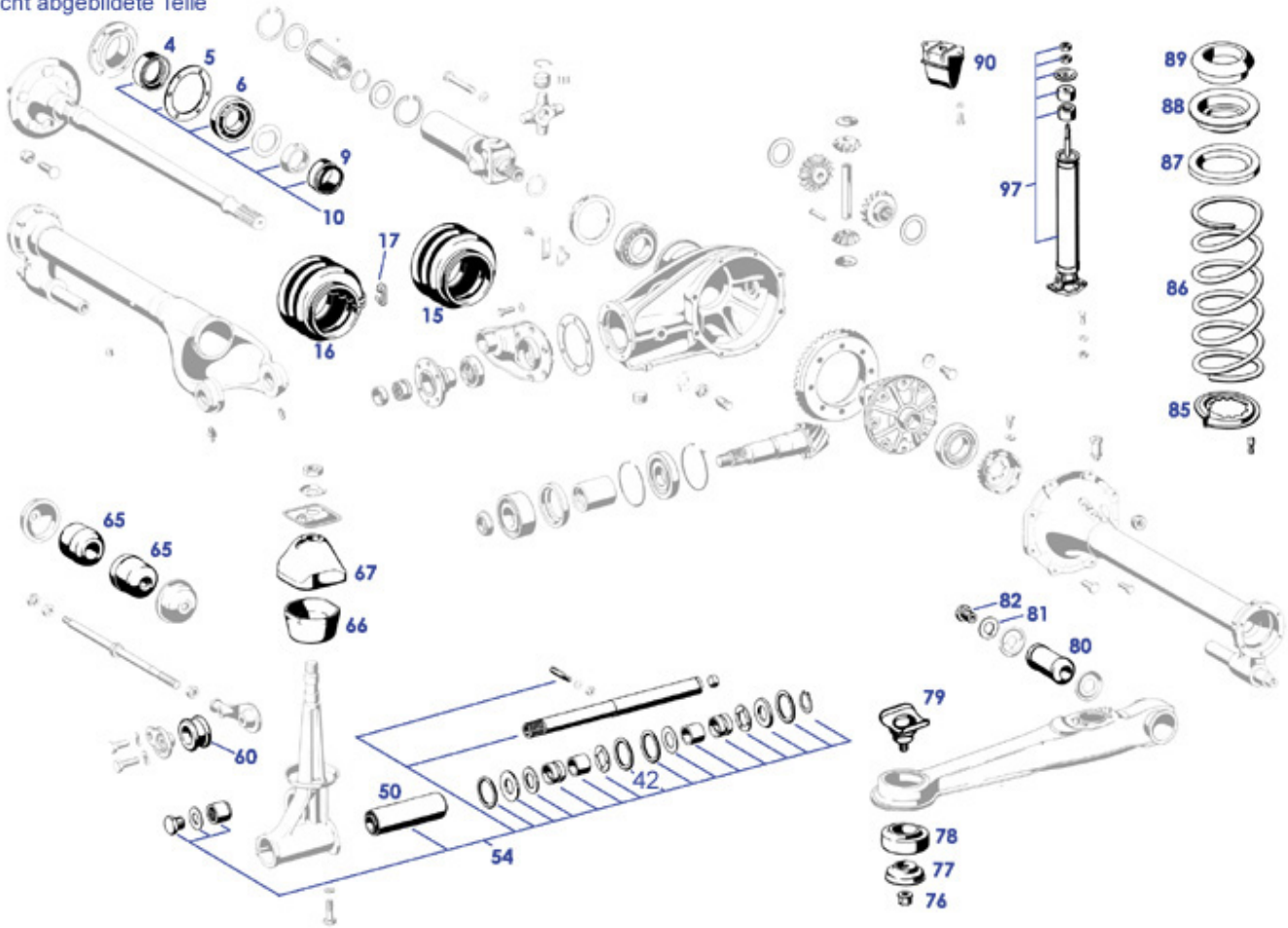


	Repr.set,k'pin/bushes,p'too Ponton	433850	119,00 €		Bush, king pin, lower=L45mm	233053	14,28 €
	Rep kit wheel bearing from 06.'61, FEBI	233880	73,24 €		Cotter pin 2,0 x 25, e.g. tie rod nuts	299460	0,12 €
	Cap for grease nipple, red	333048	0,65 €		Gummipuffer, V-achsträger hi. pin 2,5 m6 X 6	433055	33,46 €
	Split pin 3x36	133059	0,18 €	pin	Clamp nut multiple cars from 1956-1985 A1203340772	233750	0,31 €
	Washer at clamping nut, no inner pintle	233972	27,97 €		Split pin 2,5 x 25, fits crown nuts seering linkage	233077	32,53 €
	Castle nut M10X1, long shape, early joint	133006	2,38 €		Castle nut M10X1, thin shape, early joint	133007	0,24 €
	Washer at clamping nut, with inner pintle	133972	26,78 €		Control arm rep. kit, upper outer, FEBI	133706	2,45 €
2	Repr.set,k'pin/bushes,p'too Ponton	433050	374,85 €	21	Threaded bush, 29.9mm (no groove)	133010	81,55 €
35	Grease nipple, M8, 90°	133047	2,00 €	37	Control arm rep. kit, lower outer, FEBI	133038	25,25 €
37	Threaded bush, 30.9mm, with groove	133039	25,29 €	44	Seal Ring, upper & lower	133030	79,99 €
44	Repair kit, control arm outer, lower+upper 1 side FEBI	133025	127,40 €	46	Spring, front, 220S/SE,p'toon	133015	6,77 €
54	Sealing rings, Upper or lower	133041	2,05 €	60	Shock absorber front, Bilstein Gas	432000	182,15 €
61	Shim	132011	5,15 €	62	Rubber buffer, upper ctrl-arm L or R	132111	324,99 €
67	Rubber bumper, lower	133080	21,04 €	68	Buffer,rbr.,torsion bar,p'toon	133070	19,12 €
71	Torsion Bar Mtg. Kit. for 1 car	158000	97,76 €	72	Buffer,rbr., torsion bar, 22mm	432015	6,19 €
72	Rubber mount torsion bar 20mm	132015	18,50 €	72	Buffer, rubber,up. fr., fr. s'frame	432016	16,51 €
75	Rubber buffer, torsion bar rod	132017	8,29 €	81	Sleeve	433060	29,58 €
82	Buffer, rbr.,lower, fr. s'frame	433065	7,44 €	83	Locking shim, fits old style washer	133054	8,35 €
84	Reinforcing shim, replaced style	133051	2,56 €	85	Puller plate >021979	133052	4,96 €
86	Special bolt, frt axle->frame M12 X 1,5 X 57	133053	36,33 €	90	Seal ring @ frt wheel bearings	142610	19,90 €
90	Bearing retainer ring 06.61->, orig.	142600	79,67 €	91	Wheel bearing, inner, 06.61 -> 89	142625	8,88 €
91	Front axle seal >021979	142620	15,45 €	92	Front axle outer bearing >021979	142580	23,79 €
92	Inner front wheel bearing ->021979	142585	26,89 €	93	Drag link, 180,D,Db,Dc	142640	23,74 €
93	Wheel bearing, outer	142630	18,67 €	100	Drag link 190SL ->5501501, LHD	446060	152,99 €
100	Drag link, 6-cyl. pontoon	446062	110,32 €	100	Right Tie Rod end -"Febi"	146041	186,43 €
100	Drag link 190,b,SL 5501502->, LHD	146040	74,28 €	104		233092	22,85 €

35.a Rear Suspension 1955-1962

35.a Rear Suspension 1955-1962

nicht abgebildete Teile

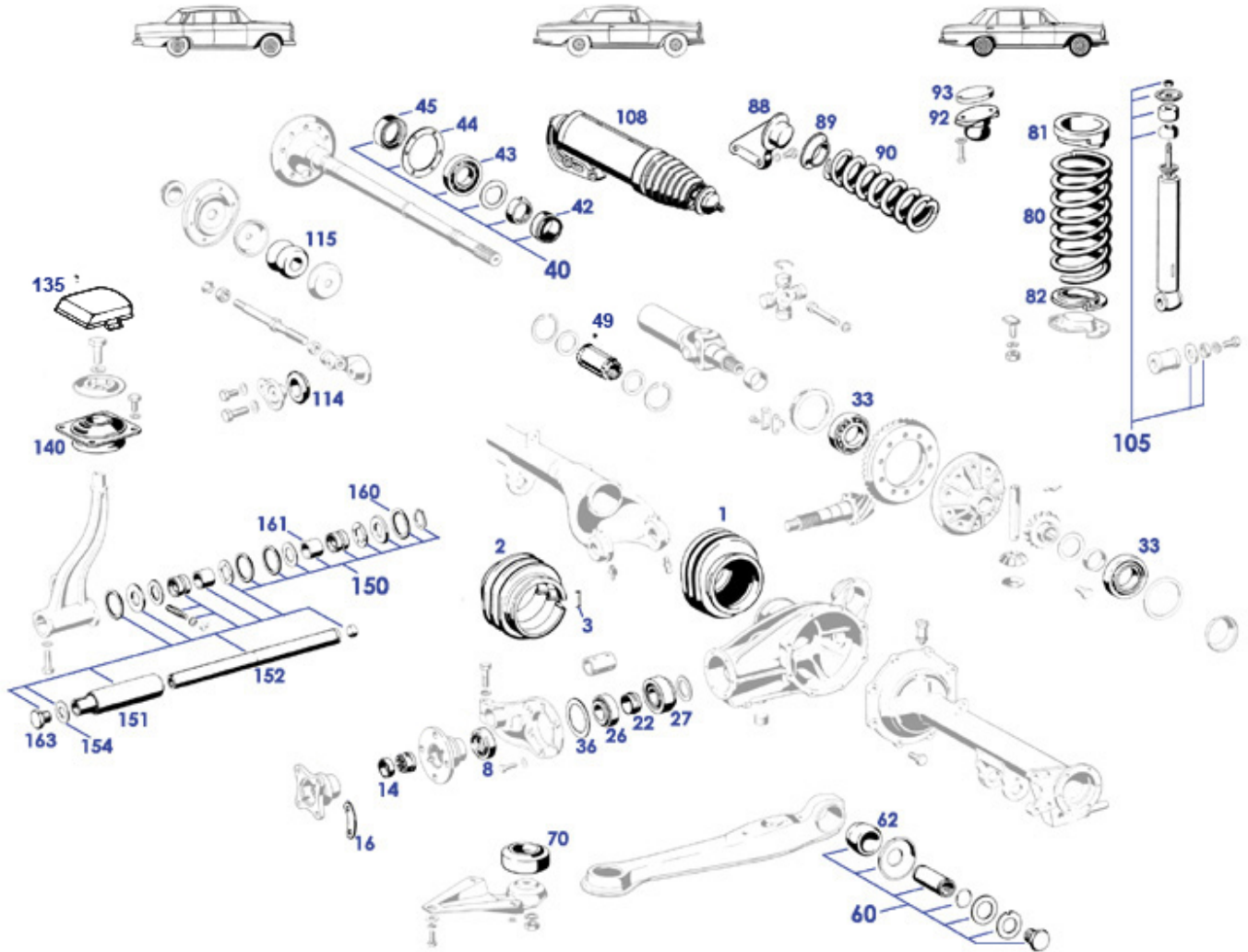


	pair of shackle, cross strut to axle, early, M12, iron, Repro	135725	197,54 €	plug	Plug screw M24 conical, no collar	114025	8,98 €
	Locking, simplified, Repro, nose outer position	135608	6,68 €		Locking, simplified, Repro, nose outer position	135607	6,68 €
	Locking, simplified, Repro, nose ctre position	135606	6,68 €		valve cap, black	740035	0,14 €
	Wheel bearing, outer, FAG	142730	29,05 €		Wheel bearing, inner, 06.61 -> 89, FAG	142680	27,66 €
bushing	Sleeve, length 26.0mm (std)	235807	47,30 €		Shim, 2.4mm thick, repair size	235718	17,50 €
	Shim, 2.2mm thick, repair size	235716	23,42 €		Clamp for repair bellows	135832	1,19 €
5	Gasket, axle tube to brake base 190...	143002	9,81 €	9	Rear axle seal (inner)	143001	5,82 €
10	Rear axle ball-bearing	235005	25,69 €	10	Rear axle roller bearing, RT, (drum shape rollers)	135858	67,38 €
13	Lock ring, rear axle	135821	5,00 €	13	Diff Pinion Grooved Nut A1113500166	235714	36,00 €
15	Swing axle sleeve, closed	135130	29,96 €	16	Sw. Axle sleeve, open, rep., design differs to orig	135131	41,45 €
17	Clamp, air hose	209004	2,77 €	17	Lock / winding clip for 9mm strap	109835	2,84 €
17	1m metal strip, 9mm clamp	109830	3,09 €	42	Rubber ring, swing link	235304	3,50 €
50	Sleeve, axle to center support	135012	91,52 €	52	Lock washer	235301	2,59 €
53	Shim at ctr bolt rr axle joint	235705	10,00 €	60	Rubber buffer,inner, rr axle cross stru	135062	22,31 €
65	Rubber buffer at rr axle cross strut	135033	30,59 €	66	Rubber mount, rear axle ctr mount, lower	135002	32,24 €
67	Rubber mount, top >7503266	135003	80,13 €	67	Rubber mount, rr axle ctre, from 750336	135001	103,90 €
76	Crown nut M12 (e.g. early rr struts)	135121	29,50 €	76	Crown nut, M14 thread	135120	25,47 €
77	Retainer, late strut mount (M14)	135810	15,59 €	78	Rubber mount, trailing arm donut	135100	35,07 €
79	Support for rear axle strut	161210	31,89 €	80	Rubber bushing, trailing arm to axle	135009	16,29 €

81	Lock shim, strut to rr axle	135007	5,18 €	82	Bolt, Arm to rear axle	135014	34,83 €
85	Spring retainer, bottom	132012	91,99 €	86	"Spring, rear, "pontoon", rt."	432020	228,79 €
86	Rear spring, pontoonLH	432010	181,23 €	87	Spacer ring above rr springs	132014	19,77 €
88	Spring retainer, top	132013	150,00 €	89	Rubber mounting f.spring retainer top	132830	32,90 €
89	Rubber mounting f.spring retainer top	132030	29,95 €	90	Rubber bumper, replcmnt, (higher)	132016	99,95 €
97	Shock absorber rear, Bilstein Gas	132022	314,99 €	170	Seal ring, input shaft	135818	21,00 €
999	product replaced: Lock / winding clip for 9mm strap	109035	2,09 €	999	1m metal strip, 9mm clamp	109030	4,00 €

35.b Rear Suspension 1959-1972

35.b Rear Suspension 1959-1972

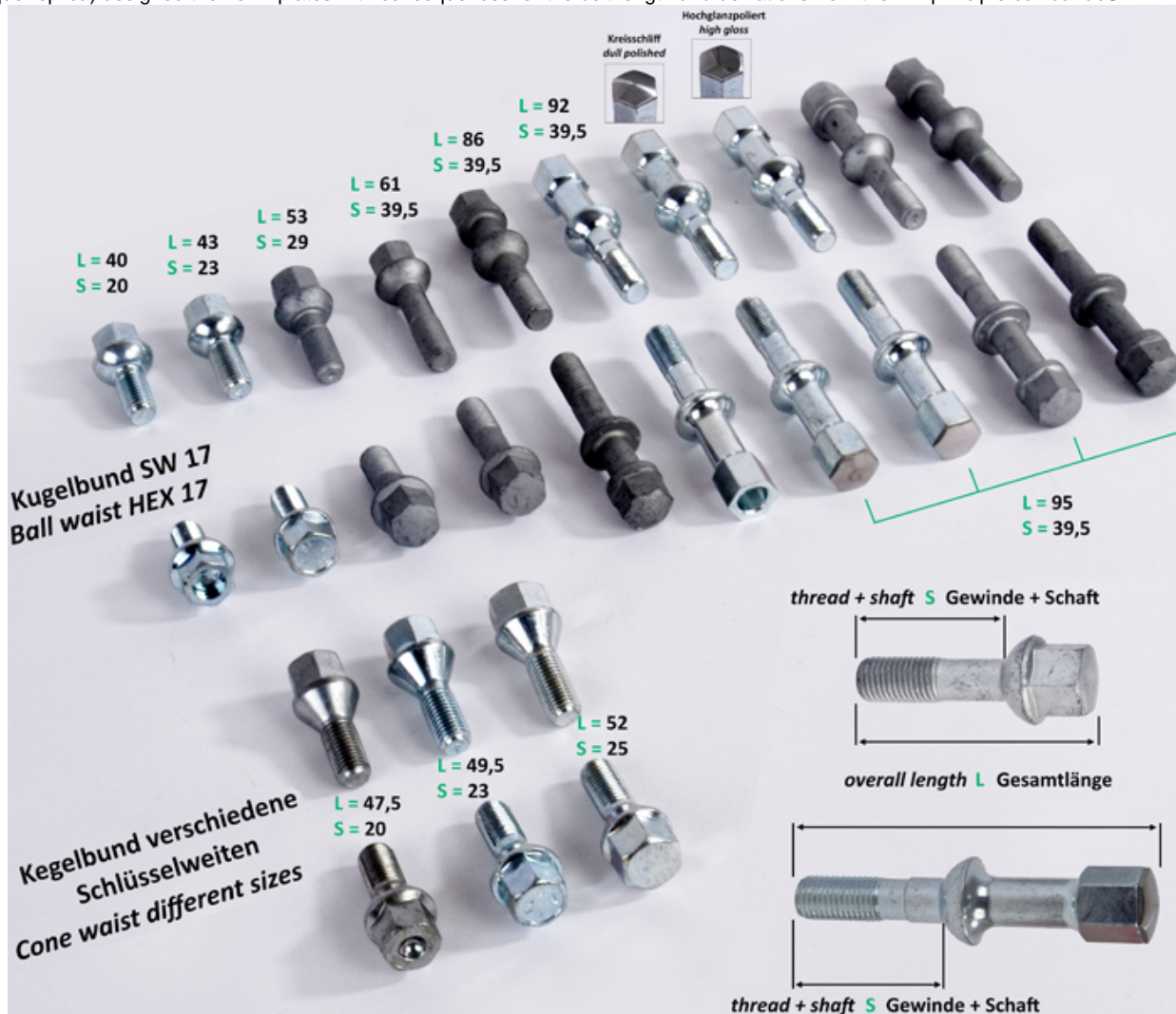


	support balancer spring RH axle, ref.No. A1103202343	232804	79,49 €		valve cap, black	740035	0,14 €
	Torsion bar rep-kit fits bar 21,5 (rbr20)	333070	127,50 €		Shim, 2.2mm thick, repair size	235716	23,42 €
	Shim, 2.4mm thick, repair size	235718	17,50 €		Rubber mount ring, struts to body	235721	11,65 €
	Wheel bearing, inner, 06.61 -> 89, FAG	142680	27,66 €		Rear axle tube bushing	235050	29,63 €
	Wheel bearing, outer, FAG	142730	29,05 €		Swing axle sleeve, closed, premium quality	135930	49,43 €
	Sw. Axle sleeve, open, repair, premium quality	135931	80,92 €		Locking, simplified, Repro, nose centre position	135606	6,68 €
	Locking, simplified, Repro, nose outer position	135607	6,68 €		Locking, simplified, Repro, nose outer position	135608	6,68 €
1	Swing axle sleeve, closed	135130	29,96 €	2	Sw. Axle sleeve, open, rep., design differs to orig	135131	41,45 €
3	Lock / winding clip for 9mm strap	109835	2,84 €	3	1m metal strip, 9mm clamp	109830	3,09 €
3	Clamp for repair bellows	135832	1,19 €	3	product replaced: Lock / winding clip for 9mm strap	109035	2,09 €
3	1m metal strip, 9mm clamp	109030	4,00 €	3	Clamp, air hose	209004	2,77 €
8	Seal ring,input shaft 230-280SL..	235015	12,98 €	14	Diff Pinion Grooved Nut A1113500166	235714	36,00 €
14	Lock washer, diff. pinion nut	235813	5,00 €	14	Washer Lock for Differential Flange Nut	235013	6,68 €
16	Bush,rubber,p.scentre bearing	141018	18,65 €	16	Gelenkwellen-Gummilager 180,D	441019	25,31 €
16	tabbed lock plate ,driveshaft	241014	8,45 €	18	Ring, rubber,upper, 24mm, rear	232022	33,50 €
22	spacer sleeve, diff. 250-280S/SE/SEL/SL, FEBI	235809	4,94 €	27	Bearing, pinion wheel shaft from '68	235011	46,55 €

33	Rear axle inner bearing	135070	39,98 €	33	Differential Bearing	235039	69,50 €
36	Distance washer 1.5mm at late pinion	235150	49,99 €	40	Axle shaft brg./seal kit lft.	233085	58,13 €
42	Inner seal ring, axle shaft W108,111,113,110	242114	12,82 €	43	Rear axle roller bearing, RT, (drum shape rollers)	135858	67,38 €
43	Rear axle ball-bearing	235005	25,69 €	44	Screw, backplate to axle, 250-280SL	242117	39,98 €
44	Paper gasket, axle types from W110	242113	7,35 €	45	Seal ring, outer,front axle Gen. 110 (113,108)	242115	11,44 €
49	Bearing Sleeve with mounting bits, tested repro	235770	999,99 €	62	Rubber, rear trailarm to axle, 65...70°sh	235733	3,61 €
62	Rubber, rear trailarm to axle, 75°sh	235833	5,41 €	62	see 235030	235830	4,70 €
70	Rubber mount ring, struts to body	235821	10,35 €	70	Mounting aid front thrust bearing	258351	69,02 €
70	Rubber mount Suspension strut mounting ring	235021	13,11 €	80	A1103243004 Rear spring W110 / 220SEb/C	332020	155,00 €
82	Rubber ring rr spring lower	232028	8,46 €	82	rubber underlay rear spring	232828	8,22 €
88	Support, compensating spring, overhaule	232004	74,49 €	89	Rubber-ring compensating spring	232005	6,49 €
89	torsion bar rep-kit W109 rear PER WHEEL !	833075	81,12 €	90	Rear centre compensating spring 110/111	332007	78,54 €
90	Compensating spring, 11.9mm	232006	83,35 €	92	Buffer, rear axle air 109/112	832080	62,48 €
92	Rubber buffer, rr axle	232008	41,39 €	93	Distancer, buffer to frame, Aluminum	232109	72,00 €
93	Buffer distancer, repro	232209	26,00 €	105	Bilstein shock absorber 114/5,rr, 'HD'	532111	189,21 €
105	Bilstein-shocker W109 rr.	832113	175,00 €	105	Bilstein shocker 108/110-1 rr.	832111	199,98 €
108	EU-Only: Hydromat complete repairing, guaranteed	832807	1.428,00 €	114	Rubber mount rear axle support strut A1113510448	235023	36,53 €
115	Outer Rubber Mount for Differential Mount strut	235024	7,50 €	140	Mount rr axle	335020	127,39 €
140	Rubber mount rear axle, center upper joint	235020	148,71 €	140	Rear subframe mount rubber, made in Germany	235920	274,12 €
150	Small rep kit rr axle center joint	235282	375,61 €	151	Sleeve, axle to center support	135012	91,52 €
151	Rubber bushing, axle joint, German Repro	235012	139,99 €	151	Rubber bushing, rr axle bolt, Repro	235712	93,19 €
152	Pin, rear axle center joint from W110 on	235708	114,89 €	154	Lock washer	235301	2,59 €
160	Rubber ring, swing link	235304	3,50 €	161	Sleeve, length 26.0mm (std)	235807	47,30 €
163	Hex Bolt on Differential Mounting Strut	235324	17,17 €	169	Shim at ctr bolt rr axle joint	235705	10,00 €

40, Wheel lug bolts M12, assorted by overall length

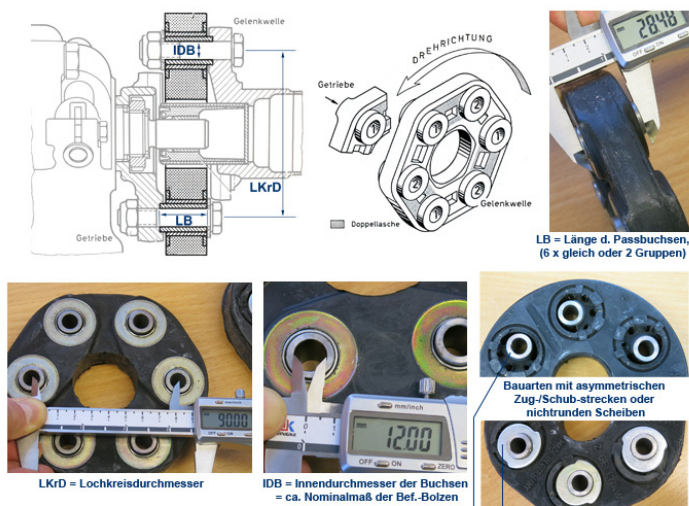
Easy view display for older MB cars: all bolts with ball band and thread M12 x 1.5 and key width 17. This makes it easier to sort LOOKING AT TOTAL LENGTH (length over everything). Various axle/wheel combinations led to the bolts shown here between 1959 and 1989. As a rule of thumb: when screwing in, the bolt should reach its seat about 6 to 7 whole rotations into the thread. with less load-bearing thread, the load-bearing capacity is not achieved, with longer screwing there can be contact with other parts (endangered: rear handbrake, front brake disc e.g. with type 230SL). In the mid-1980s, a system change over MB front axles took place: former wheel hub flange (threaded seat) attached to the rim (brake disc screwed separately on the inside), later brake disc on wheel hub, between rim and threaded seat. (For the hub diameter, see also the information board on brake discs). The design of rim plates is not only material dependent, but different manufacturers (example baroque replica) designed their own plates with consequences for the bolt length and deviations from the MB principle ball band /SW17



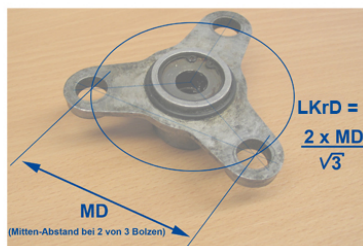
L40S20	Wheel bolt, steel wheels MB from 1967	240005	1,59 €	L53S29	Wheel bolt+cap,alloy whl.to 85	740005	3,45 €
L61S39	wheel bolt M12X1,5	740007	2,86 €	L95S39a	Bolt fits late rim, w.Inox-cap	740814-S	16,64 €
L86S39	wheel bolt, total 86mm, zinc plated,without chrome cap	740807	11,40 €	L43S23	Set 20 Bolt, fits Retrofit-wheels	740805	51,29 €
L49S23	Set 20 wheel bolts Maxilite, cone, L24	740888	49,98 €	L52S25	wheel bolt-set, 20pcs. M12X1,5 X25 cone hub	740801	37,90 €
L47S20	wheel bolt-set, 20pcs. M12 x 1,5 x 20 cone hub	740802	27,25 €	L95S39b	Bolt fits late rim, w.Inox-cap	740814-P	16,64 €
	wheel bolt for MB rim R107 from Sept. 1985	740514	4,14 €	L95S39d	Wheel bolt long (95mm f.Gulli 107/126), simplified	740914	16,60 €
L95S39c	wheel stud	740414	4,14 €	L92S39	Wheel bolt, 1 piece, length 92mm, 107 from '85, 126 div	740604	6,90 €

41.d Flexible prop shaft discs by dimension

41.d Flexible prop shaft discs by dimension



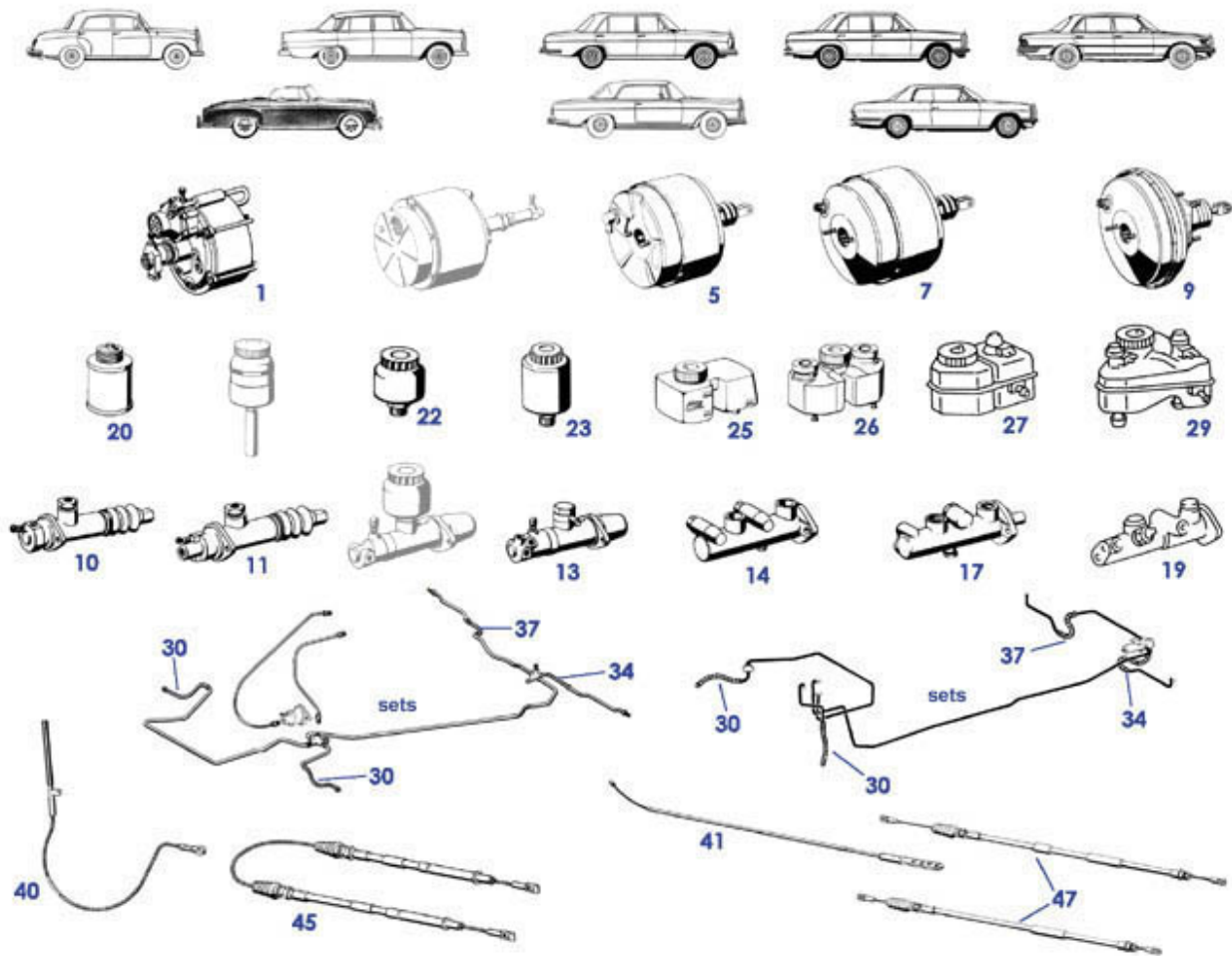
Inhalt in	Scheibe einzeln	LKrD	LB	IdB
SLS-Art-nr.	SLS-Art-nr.	(mm)	(mm)	(mm)
141000	141001	80	22	12
241800	241001	90	23,3	14
741000	741111	90	26	10
741002	741112	90	29	10
741001/010	741114	90	34/37	10
741003	741124	90	28,5	10
	541114	90	26	10
741120	741121	110	26	12



Set prop shaft disc, M117 models + 380from VIN	741710	60,69 €	valve cap, black	740035	0,14 €
Joint disc, 90mm bolt circle	241801	55,93 €	Nut, rear prop shaft fitting	241048	0,92 €
plastic grommet, prop shaft Repro, ref. A 202 411 0497	541012	3,45 €	141001 Joint disc, 80mm bolt circle, eg 190earl	141001	67,95 €
241001 Joint disc, 90mm bolt circle	241001	71,25 €	541114 Flex disc, prop shaft, no bolts	541114	46,41 €
741000 Repr.kit,cardan disc,rear 350 SL/C, 280/380 Chassisnumber	741000	74,97 €	741001 Repr.kit,cardan disc,rear 280SL/C cn	741001	82,09 €
741002 Repr.kit,prop-disc 2.8 autm. late	741002	114,98 €	741003 Repr.kit,cardan disc	741003	77,50 €
741010 Repr.kit,cardan disc,fr. 300SL	741010	79,30 €	741111 Flex disc, prop shaft, no bolts	741111	52,36 €
741112 Flex disc, prop shaft, no bolts	741112	82,11 €	741114 Flex disc, prop shaft, no bolts	741114	51,17 €
741120 Set prop shaft disc, M117 models + 380from VIN	741120	109,09 €	741121 Flex disc, prop shaft large M117 models + 380from VIN	741121	74,46 €

42/43 Brake: Mastercyl., Lines

42/43 Brake: Mastercyl., Lines



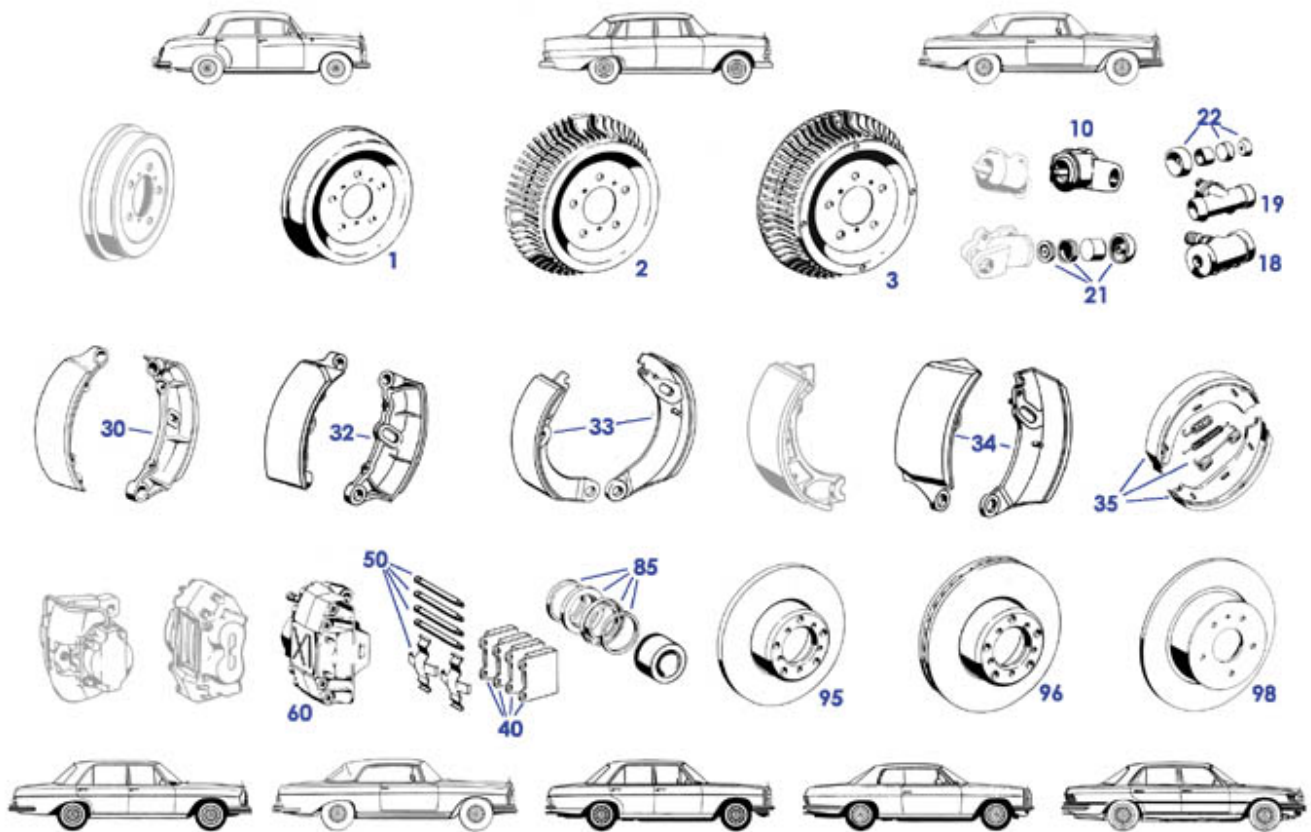
Graf.Inh. zuletzt überarbeitet 21.01.2010 d. SLS-Red.

	Brake fluid.res. 09.75->08.85, ref.No. A0014315302	743806	329,99 €		1m white vac-hose for brake vacuum	943782	14,40 €
	plug, ATE 03.3517-0300.1	943017	3,93 €		M10 x 1 ATE plug bolt	943018	14,99 €
	Spring, brake cables up to 08.'76 threaded hollow fitting nut, M12x1, hex12	742555	7,62 €		Bracket 250-280SL	243658	1,06 €
	Master cylinder 250 - 280 SL, R107 -> '74, brand AIC	243811	103,99 €		Sheet metal screw with hexagon 5.5 X 13 galvanized	990102	0,20 €
	Master cylinder 250 - 280 SL, R107 -> '74, brand Textar or	243711	345,00 €	5	workshop fitting for 4.75 lines, male thread, hex 11	942966	0,36 €
7	Brake Servo T52-9, ATE, ca. '68-'85, div. SL/SE, ..	243030	624,75 €	9	Repl.-Repro Brake booster T51-200	243700	658,17 €
9	Servo(booster) 200-280CE , Ref 001 430 6630	543000	399,00 €	10	Brake Servo Textar, 107 from '85, div. 129, 126, 124	143011	369,69 €
11	"Master Cylinder, 1-1/16" (with T-50)"	143010	265,00 €	14	"Master Cylinder, 190SL w/o T50	143011	369,69 €
14	Master cylinder 230SL LHD from 08143	243010	346,10 €	17	Master cylinderFN	243012	314,99 €
17	Master cylinderFN	243011	339,50 €	19	B.m.c. 07.74->08.75 ATE	743011	289,88 €
20	Reservoir, metal version, LHD	142178	127,50 €	22	B.m.c.280/350/380/450/500SL/C	743012	303,45 €
22	Brake fluid reservoir e.g. 110/111 single circle, LHD	343005	63,02 €	25	Brake fluid reservoir e.g. 110/111 single circle, LHD	343805	65,66 €
25	reservoir, ca'62-'67 (no floater),reproduction	243705	76,64 €	26	o-ring seal for master cyl reservoir ->67	243033	3,31 €
26	Reservoir from '68, fits manual	243606	90,18 €	30	Reservoir12.67->7.75,replaced!see pic	243006	367,70 €
30	Brake hose fr. 470mm	942005	17,85 €	30	Brake hose W110 early fr.	942004	15,78 €
					Brake hose, front Lt.or Rt.	242040	30,40 €

30	Brake hose front, Lt. or Rt.	143035	50,10 €	30	Brake hose fr., 380mm	942003	14,57 €
34	Brake hose, rear Lt.	242111	50,99 €	34	Brake hose rear left up to model year 1966	143051	31,36 €
34	Brake hose rear left side, 111 from FN, 108 up to FN	843052	28,50 €	37	Brake hose rr e.g. W114 late, 280mm	543052	13,80 €
37	Brake hose R/C107,C114,116rr.	742105	34,99 €	37	Brake hose, rr.rh. 220mm, W121,113,111,108...COH	143052	49,99 €
37	Brake hose W109 rr. Lt./Rt.	843056	22,63 €	37	Brake hose,rr, fits "direct@caliper"	742106	33,20 €
40	Brake cable middle	442150	140,00 €	40	Brake cable fr. 220S/SE lim.	442151	159,46 €
41	cable W116 S/SE front	642100	59,50 €	45	Brake wire rear, Repro	143160	115,68 €
47	Handbrake cable W108 rr.Rt.	842140	49,98 €	47	rear left Handbrake cable W108	842130	49,98 €
47	Handbrake cable W110,111->67, rr RH	342180	89,79 €	47	Handbrake cable W110,111->67, rr LH	342170	95,00 €
47	Brake cable W116 rear , left	642160	38,08 €	999	Brake line set 200-250CE	542255	30,35 €
999	Brake pipe set 250/280S/SE/SEL	842285	60,81 €	999	Brake line W120 ctre, 2500mm	442017	17,06 €

42/43 Brake (at wheels) 1958 - 1973

42/43 Brake (at wheels) 1958 - 1973

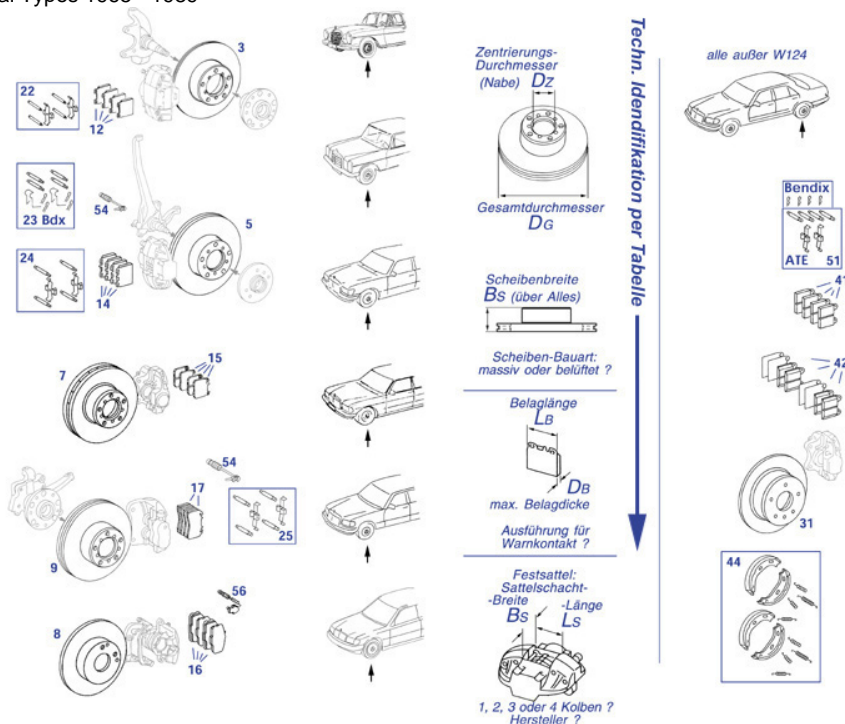


	pivot pin brake shoes to cylinders early style	142036	115,00 €		screw for brake axis 230 SL	242116	33,44 €
	Set brake pads for Dunlop parking brake	342200	84,99 €		Screw, backplate to axle, 250-280SL	242117	39,98 €
10	Brake cylinder; left; 28,57mm, early version	443031	149,99 €	10	Wheel cyl. ATE front left, 021835>	143030	135,09 €
10	Wheel cyl. ATE frt Rt. 021835>	143040	135,09 €	10	Brake cylinder; right; 28,57mm, early version	443041	149,99 €
10	Wheel cyl. frt RH. 021835>	143840	78,58 €	10	Wheel cyl. frt Lt. 021835>	143830	78,58 €
18	Brake cylinder rear '57-> + replacements	143050	107,99 €	19	Wheel cylinder rr. 19,05mm ATE 230SL	242070	114,00 €
21	Repr. kit, fr. wheel cyl. ATE	143045	98,37 €	22	cyl.kit 23,81mm cyl.piston 7500148>	143049	45,53 €
22	Wheel brake cylinder repr. kit	242071	23,42 €	32	Brake shoe frt, Alu, 65mm wide	142000	115,43 €
34	Set of brake shoes 65mm 4pce	142885	241,15 €	34	Set early brake shoes 65mm 4pce (exchange)	142085	305,00 €
34	Set late brake shoes 65mm 4pce (exchange)	142086	305,00 €	35	Brake shoes and fitment parts, ATE	242200	60,10 €
40	Set brake pads frt. calipers '65-'72,ATE	242030	51,13 €	40	Brk.p.set 300-500SL, fr. fm.'85	742033	87,92 €
40	Brake pad set frt. ca. 3.'80 - 8.'85 (17mm) ATE	742031	52,35 €	40	Brk.pads 280/350/450SL/SLC frt 73-80 ATE	742030	47,15 €
40	Set of Brake pads front Girling, 230SL** 220SEb**	242031	81,99 €	40	Set of ATE rear brake pads 1965-1972 W113-108	242088	61,05 €
40	Satz Bremsbeläge hinten TEXTAR	242888	41,65 €	50	Mounting Kit BENDIX-brake front W114/115	542086	12,50 €
50	Brake fittings, fr. 107+116	742028	15,53 €	50	Front Fitting kit, brake.pads 03.1980 ->	742029	12,90 €
50	ATE Accessory kit for rear brake pads	242082	13,69 €	50	Fitting kit, brake pads	242081	14,98 €
60	Brake Caliper rear RH 250 - 280SL (S/SE: FN) Budweg	242822	314,49 €	60	Brake Caliper rear LH 250 - 280SL (S/SE: FN) Budweg	242821	314,49 €
60	In exchange: Late Calliper W108/111 rear left	842030	555,00 €	60	Brake caliper, Lt. 108-113, 115, ATE	242010	600,95 €

60	Caliper R/C107 rear Rt.	742852	179,90 €	60	Caliper R/C107 rear Lt.	742851	179,90 €
60	Brake caliper, Rt. 108-113, 115, ATE	242020	600,95 €	60	Brake Caliper rear LH 250 - 280SL (S/SE: FN)	242021	458,40 €
60	In exchange: Late Calliper W108/111 rear right side	842040	555,00 €	60	Caliper V8, rear left, FN	742053	399,90 €
60	Calliper 108/C111 fr.Rt. late ATE	842020	461,24 €	60	Calliper 108/C111 front left side (late version)	842010	461,24 €
60	Caliper V8, rear Rt., V8 EUR 73-> FN !	742054	399,90 €	60	Caliper R/C107 rear Rt.	742052	345,00 €
60	Caliper R/C107 rear left (ATE)	742051	345,00 €	60	Calliper W116 fr. Rt.	642020	398,13 €
60	Calliper W116 fr. Lt.	642010	372,57 €	60	Calliper 114/115 late fr.Rt.	542020	248,83 €
60	Calliper 114/115 late front left side	542010	248,83 €	60	Brake Caliper rear RH 250 - 280SL (S/SE: FN)	242022	458,40 €
85	Repr. kit calliper rr. 111/108 "35"	842025	55,45 €	85	Repair set, brake caliper	242017	77,35 €
85	Repr. kit, caliper Budweg	242825	32,64 €	85	Brake caliper seal kit, fits ATE 66-72	242015	73,77 €
85	Repair-kit for rear brake caliper 250-280SL/SE/L	242025	57,22 €	96	Set brake discs front, W126 !85->brand ATE	643400	89,85 €

42/43a Brake discs, several Types 1965 - 1989

42/43a Brake discs, several Types 1965 - 1989

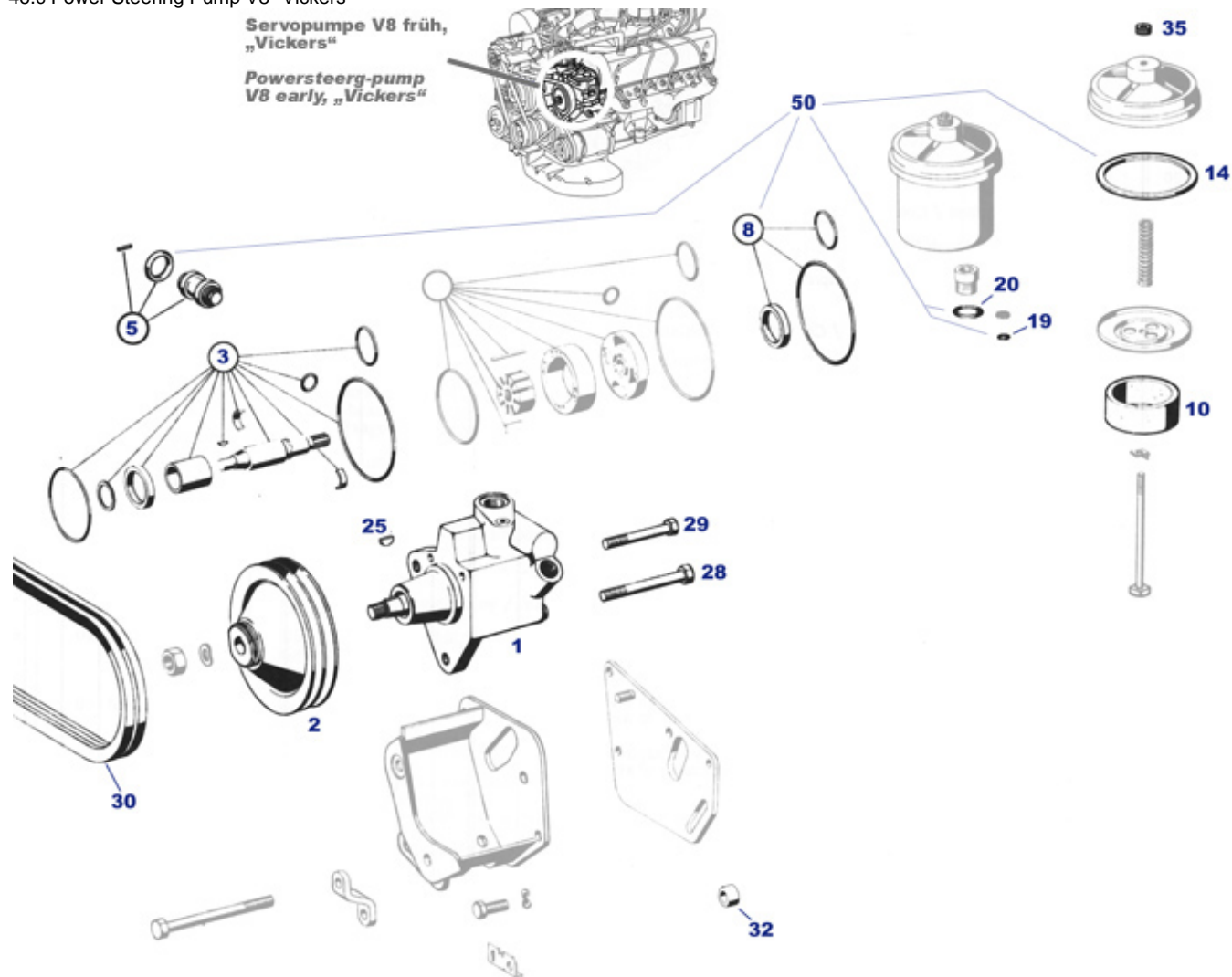


Durchm. Gesamt	Bauart	DZ Nabe (Zentrierung)	Scheibenbreite BS GESAMT	SLS-Nr. (1Paar)	vgl. Bild	Beispiele Baumuster	Hinweis	Beläge (1Achse)	vgl. Bild
253mm	unbelüftet	69mm	66,5mm	243100	3	110-113 mit "3-Kolbenbremse" übrige 110-113 ATE, 1966/1967	BM, welche theor. noch mit 13" Rädern zu haben waren	242031 (Girling)	12
273mm	unbelüftet	69mm	63,4mm	243200	3	108,109, 113, 111, 114/115 früh	114/115 mit alter Radnabe	242030	12
	belüftet	80mm	67,3mm	643200		108,109,111,112 spät	SE 3 5 alle, SE 2 8 ab FN	242030	12
	unbelüftet	80mm	63,4mm	543200		114/115 mitte	114/115 ab Einsatz vergrößerte Nabe	242030	12
278mm	unbelüftet	80mm	66,5mm	743100				242030	12
	belüftet	80mm	63,5mm	543300	5	114/115 einige, 123 alle!	Beläge 17,5mm nur 123, nicht /B für dünne (15mm) Beläge	542032	14
	belüftet	80mm	66,5mm	743200	7	116 alle	Bauart wie oben, aber Einsatz dickere Beläge (Sattelschacht breiter)	742030	14
284mm	unbelüftet	67mm	43,5 - 46,5 mm	543400	8	124*201 diverse, je nach Baujahr / Motorisierung	zu Einzelkolben-Faustsattel	542033	16
	belüftet	67mm	43,5 - 46,5 mm	743400	9		Faustsattel oder 4-Kolben-Sattel	942030	
300mm	belüftet	80mm	68mm	643400		126 ab '85 (15", Gullideckel)	standard: zu 2-Kolben Sattel	742031	15
279mm	H I N T E N	67mm	69,5 - 71,7mm	243300	31	Scheibe mit Trommel, diverse (Ausführung für alle, außer 124)	Klotze "ruh" ohne Quietsch-Pad Wahlweise für alle, Klotze "spät" Beläge angefasst und mit Unterlage Satz Bremsbeläge für Trommel (Feststellbremse) mit Federn	242088 742088 242200	41 42 44

Bendix	Anbausatz BENDIX-Bremse hinten	742089	14,46 €	14	Brake pad set frt. ca. 3.'80 - 8.'85 (17mm) ATE	742031	52,35 €
22	Fitting kit, brake pads	242081	14,98 €	23bdx	Mounting Kit BENDIX-brake front W114/115	542086	12,50 €
24	Brake fittings, fr. 107+116	742028	15,53 €	25	Front Fitting kit, brake.pads 03.1980 ->	742029	12,90 €
42	Rest: Brake pad set rear '72-'89, brand ATE	742088	42,00 €	51	ATE Accessory kit for rear brake pads	242082	13,69 €
54	Wear contact, brake pad	742025	3,99 €	56	el.pointer, flat pad, e.g.124 Types	542025	5,80 €
242030	Set brake pads frt. calipers '65-'72,ATE	242030	51,13 €	242031	Set of Brake pads front Girling, 230SL** 220Seb**	242031	81,99 €
242088	Set of ATE rear brake pads 1965-19'72 W113-108	242088	61,05 €	242200	Brake shoes and fitment parts, ATE	242200	60,10 €
542032	Set of brake pads front W123, ATE	542032	49,98 €	542033	Set brake shoes, ATE	542033	55,23 €
643400	Set brake discs front, W126 '85->brand ATE	643400	89,85 €	742030	Brk.pads 280/350/450SL/SLC frt 73-80 ATE	742030	47,15 €
742088	Brake pad set rear '72-'89, brand TEXTAR	742888	41,00 €	742088	Brake pad set rear '72-'89, brand BOSCH	742788	40,45 €

46.c Power Steering Pump V8 "Vickers"

46.c Power Steering Pump V8 "Vickers"



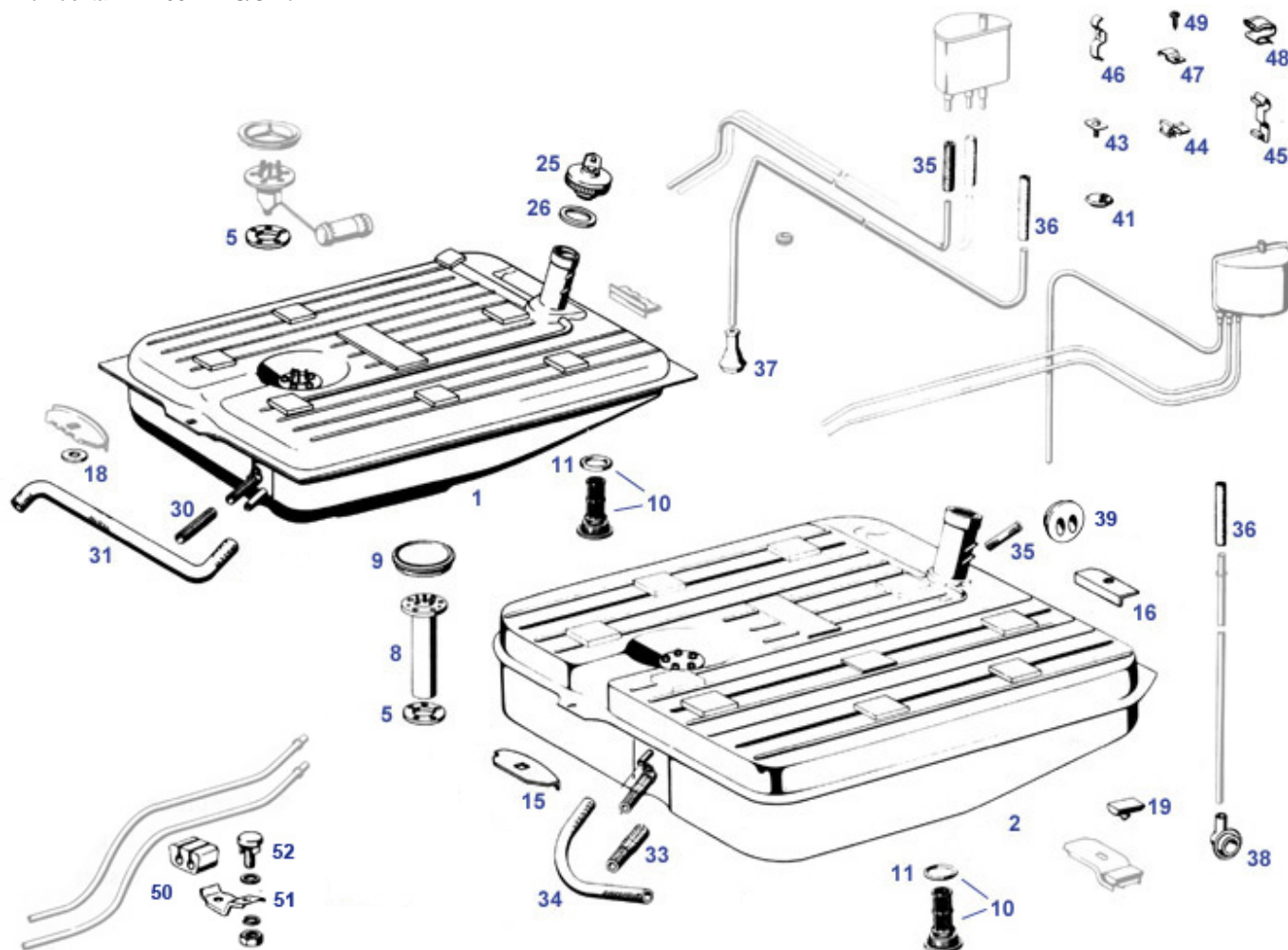
Servopumpe V8 früh,
„Vickers“

Powersteerg-pump
V8 early, „Vickers“

1	Pump,pwrsteerg, used, sealed, tested, (old part required!)	246100	607,14 €	8	Short gasket kit , pws pump "cyl-shaft"	246104	27,49 €
10	Filter, pws. fluid tank	299022	29,99 €	14	Sealing ring, fluid tank cap	299023	3,68 €
19	O-Ring pws-reservoir->pump, small	746243	1,20 €	20	O-ring Vickers	746246	1,87 €
25	woodruff key, pump shaft pws	246116	9,50 €	30	Pws drive belt 10 x 1225 e.g. 111-3,5	399123	19,99 €
30	Fan belt 10 x 1184, z.B. 3.5 Servo,FN	799123	21,00 €	35	Milled nut, pws reservoir	799462	1,50 €

47.b Fuel tank W108-112 S/SE div.

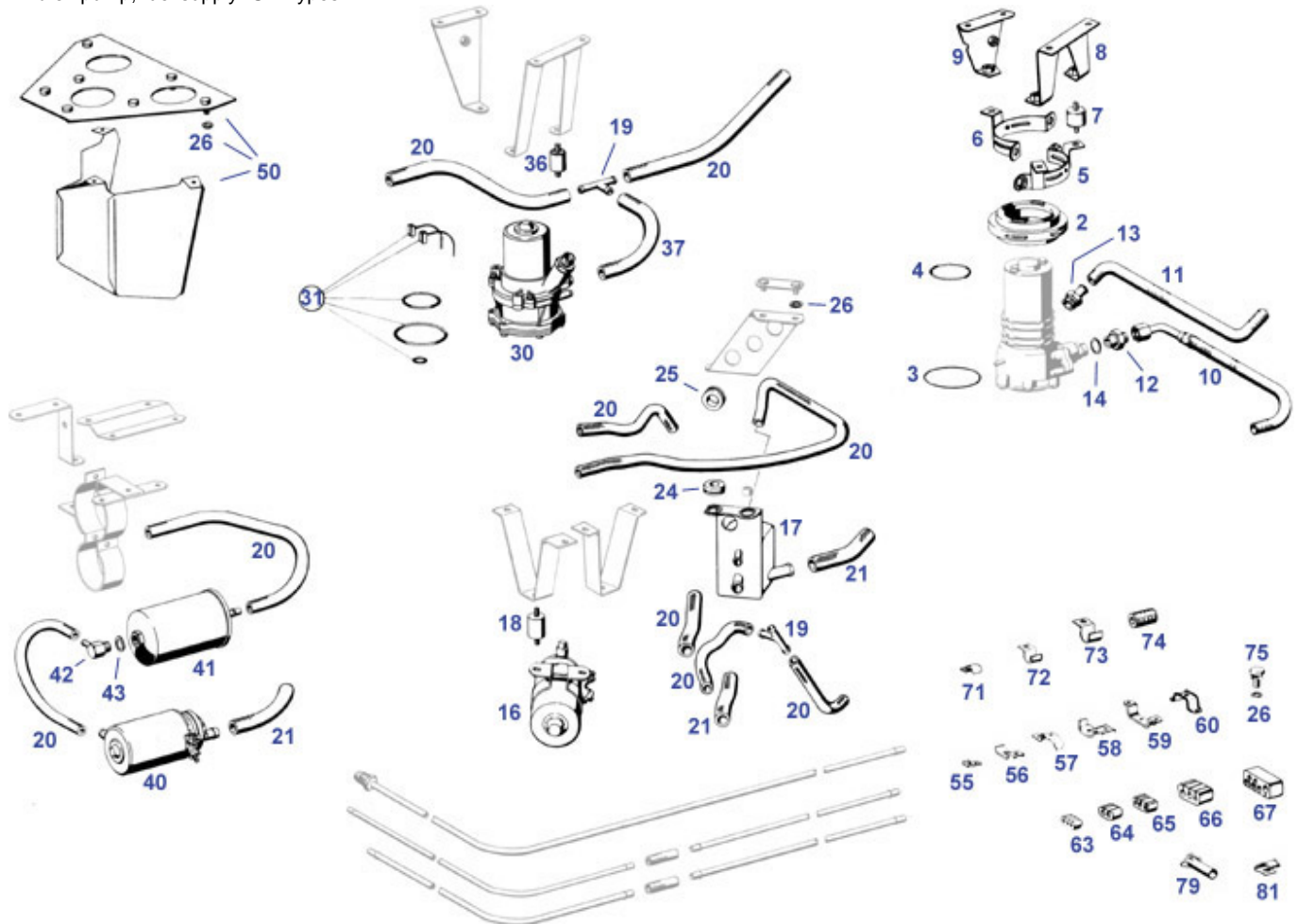
47.b Fuel tank W108-112 S/SE div.



	expansion reservoir for fuel tank ventilation	247868	140,00 €		clamp 37,5 mm	747040	5,24 €
	handle, fuel door 110 or 111 early	375847	29,99 €		rubber inlay, for 3 pipes (8 + 8 + 5mm)	247859	5,63 €
2	Fuel Tank 78ltr, 250-280E/114	547709	795,00 €	2	Fuel tank 82 ltr, div 108-112, Repro	847809	577,15 €
5	Gasket for fuel sender 1956-1972 A1104710180	147015	1,48 €	8	fuel sender, 250/280SL, Repro	247606	189,89 €
9	round cover above fuel sender, Repro	247814	5,20 €	9	Cover above fuel sender, plastic, black	347014	7,79 €
10	threaded plug with filter element	247012	20,35 €	11	Seal ring, tank filter	247013	2,19 €
16	Clamp, fuel tank, rear	247026	5,77 €	18	Shim, Exh/Tank support	298776	2,83 €
25	Fuel cap, plastic, no lock, FEBI	747009	13,99 €	26	Seal ring @ gas cap	247010	2,98 €
31	Hose adapter diam 15->12mm, new pumps @ 82ltr	347998	7,66 €	33	Fuel hose 13 x 20mm, plain mantle	747027	27,19 €
33	1m Fuel Hose 14/22mm	747029	37,28 €	34	1m Fuel hose tank->pump 11/17mm, fabric	247005	10,41 €
35	1 m Fuel hose, 4 x 10	247046	4,76 €	36	1m Fuel hose 5,5mm e.g. 107-fuel vent.	247847	8,98 €
37	Grommet, breather tube	447019	21,06 €	37	Sleeve, tank ventilation	247079	7,95 €
38	Grommet, tank vent pipe through carbody	147070	6,52 €	39	rubber buffer, fuel filler door 108,111,SLC107	398795	2,30 €
41	Rubbergrommet 3,5/22mm, fuel vent rear	399028	5,63 €	41	Grommet, two hole, 5/24, for fuel tank ventilation, rest	199028	5,26 €
45	Clip, tank ventilating pipe	247055	17,30 €	46	Clamp, expansion tank 6mm/9mm	247069	9,70 €
47	Clamp e.g. 6mm lines, wiring, ..	398047	0,65 €	50	clamp inlay	747038	1,84 €

47.d el. pump, fuel supply "SE-Types"

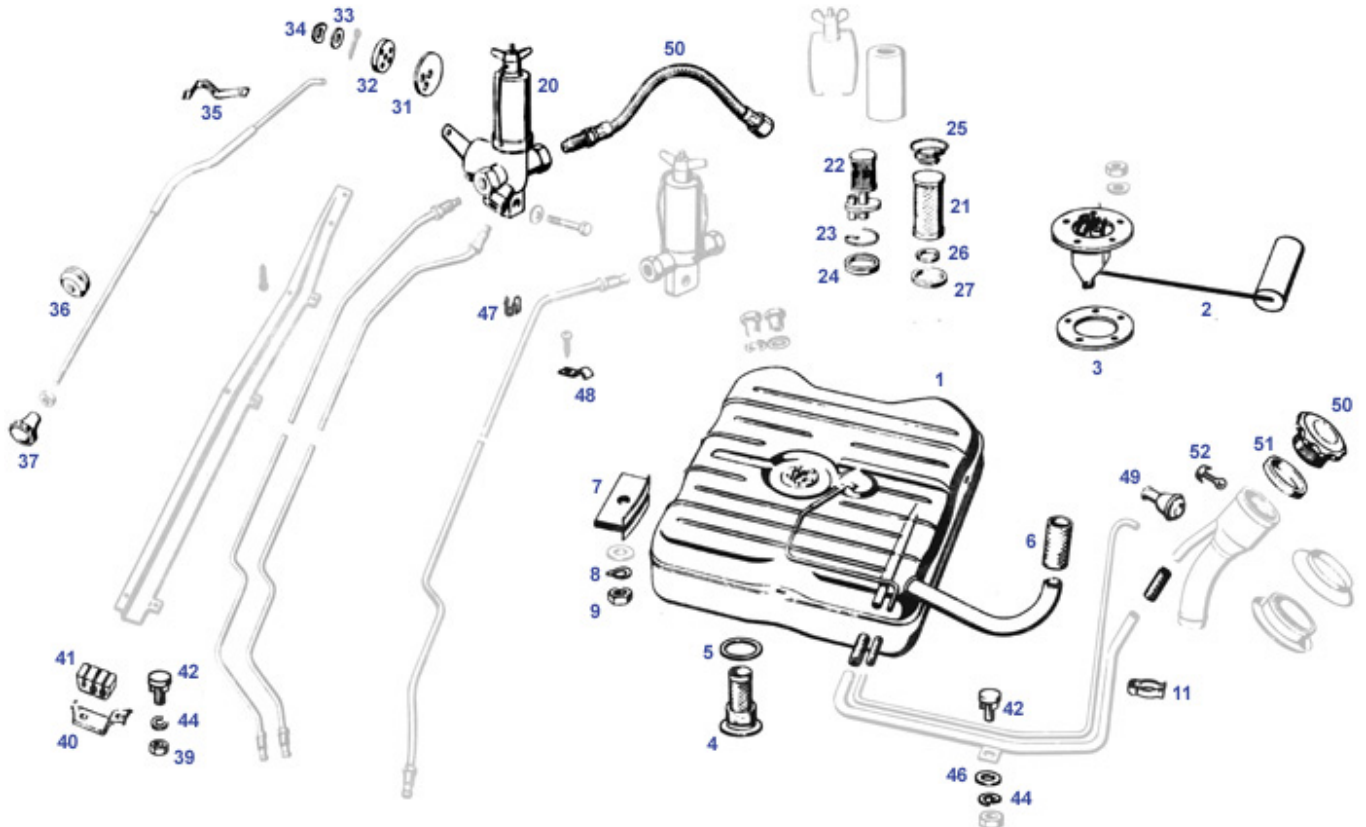
47.d el. pump, fuel supply "SE-Types"



	impeller disc, small feeder pump 280SE/SL	247070	118,99 €		rubber inlay, for 3 pipes (8 + 8 + 5mm)	247859	5,63 €
	Universal Fuel pump, alternative for D-Jet	347005	190,35 €		clamp 37,5 mm	747040	5,24 €
2	Ring, early fuel pump rubber mount	247033	47,10 €	3	Seal ring,lower,early	247037	4,55 €
5	Clamp,early ,second half	247036	127,90 €	6	Clamp,early ,first half	247035	122,71 €
8	Pump support, f.early pump	347080	46,06 €	10	Hose,ff.,230SL to vn.013014, W111, ..	247002	44,95 €
14	Seal ring 18x22 Al	109019	0,94 €	18	Rubber buffer,fuel pump,late	247023	4,74 €
19	T-connector, fuel hoses	247015	4,76 €	20	1m Fuel hose tank->pump 11/17mm, fabric	247005	10,41 €
21	1m Fuel Hose 14/22mm	747029	37,28 €	21	Fuel hose 13 x 20mm, plain mantle	747027	27,19 €
21	Hose adapter diam 15->12mm, new pumps @ 82ltr	347998	7,66 €	24	Grommet,14/18, bulkhead, generator wire	298784	2,59 €
25	Rubber grommet 10/15, taillight bucket 190SL, 107	199020	1,08 €	26	rubber washer fits M6	299081	1,19 €
37	1m. Fuel hose 7,5x13,0 flat surface	247007	8,50 €	41	Fuel filter R/C 107 -> 06.1976	747702	45,82 €
42	Threaded fittig to filter 747702	747147	9,75 €	43	Seal ring 14mm Alu	207186	1,08 €
50	Metal box W108 pump protection	847021	61,11 €	55	Clamp, bulkhead	242058	2,44 €
56	Fuel and brake line clamp, for 30mm rubbers	147014	2,32 €	57	Clamp,pipe,front, outrigger	247052	5,94 €
58	3-way Clamp Fuel Pipes, W113 (EU)	247040	2,90 €	59	Clamp, several lines, wide	847049	13,27 €
63	Rubber inlay, clamp, 3 line, 1x8 + 2x5mm	847039	2,82 €	65	clamp inlay	747038	1,84 €
66	Rubber protect. 2+1 pipes in clamp	247839	7,09 €	71	Clamp, e.g. oil-pipe, wires	199025	4,22 €
71	Clamp,small,e.g.hydraulicpipe	229027	3,65 €	72	Clamp,pipe,under body,rear	247053	7,69 €
74	Hose, 8,5/15mm, 1 metre	247050	12,60 €	75	Clamping Bolt M6 for square bodypanel holes	188036	7,90 €

47.a Tank Ponton

47.a Tank Ponton

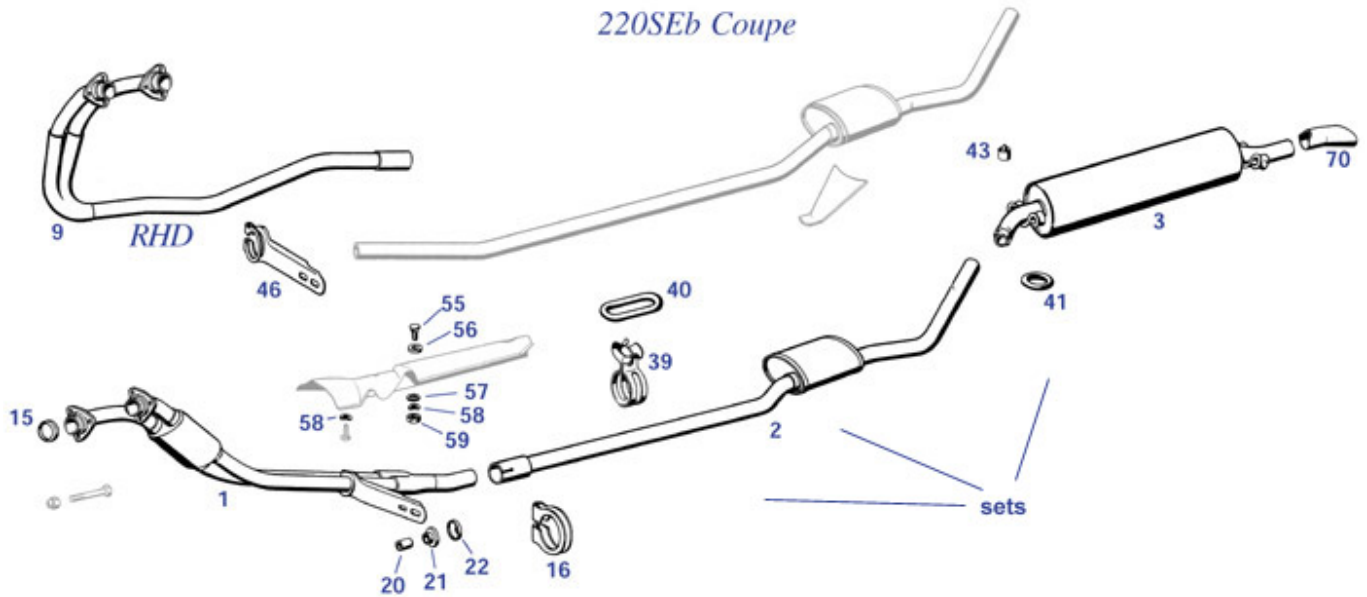


	rubber inlay, for 3 pipes (8 + 8 + 5mm)	247859	5,63 €		clamp inlay	747038	1,84 €
hose	1m Fuel hose tank->pump 11/17mm, fabric	247005	10,41 €	1	Fuel tank 65 ltr, ponton, ie 220S, see photos	447000	891,01 €
2	Fuel sender, 2-pole, 190SL,Pontoon,Repr	154000	116,99 €	3	Gasket for fuel sender 1956-1972 A1104710180	147015	1,48 €
4	N/A : Drain plug	147055	49,80 €	5	Alu seal ring M26, e.g. fuel tank	147056	0,95 €
6	Gummischlauch am Tankstutzen	447053	17,85 €	7	Retainer, fuel tank	147822	66,94 €
7	Fuel tank bracket, wide design, see illustration	147022	69,85 €	9	Nut M8	142155	0,50 €
11	Spring clip,vac. pipe to fuel line	299471	15,15 €	21	Filter element, throw away paper	147001	16,60 €
24	Gasket, filter cup ->7502460	147081	4,86 €	26	Gasket, filter element to housg late	147085	1,36 €
27	Gasket, filter cup 7502461->	147080	2,14 €	31	Gasket, fuel tap 7502461->	147088	3,72 €
32	Gasket, fuel tap ->7502460	147089	8,56 €	33	Washer5.3mm	142905	0,24 €
34	Washer,waved shape,M5, zinned	142904	0,25 €	35	Spring clip	147029	29,90 €
36	Grommet for front panel	299808	0,77 €	37	Knob for wiper switch...	154044	49,98 €
39	Hex nut M6, yellow zinc.	181023	0,18 €	40	Fuel and brake line clamp, for 30mm rubbers	147014	2,32 €
41	Rubber prot. 3 pipes in clamp	147839	2,59 €	41	Rubber guide	147038	3,76 €
42	Clamping Bolt M6 for square bodypanel holes	188036	7,90 €	44	Spring washer, fits M6	181028	0,18 €
46	Washer 6,5 x 13	799915	0,17 €	48	Hose strap, replaces hose clamp	250099	0,55 €
49	Manschette Tankentl.,Bauart"Ponton"	447079	10,84 €	51	Seal Ring	999040	1,67 €

49 Exhaust 220SEb

49 Exhaust 220SEb

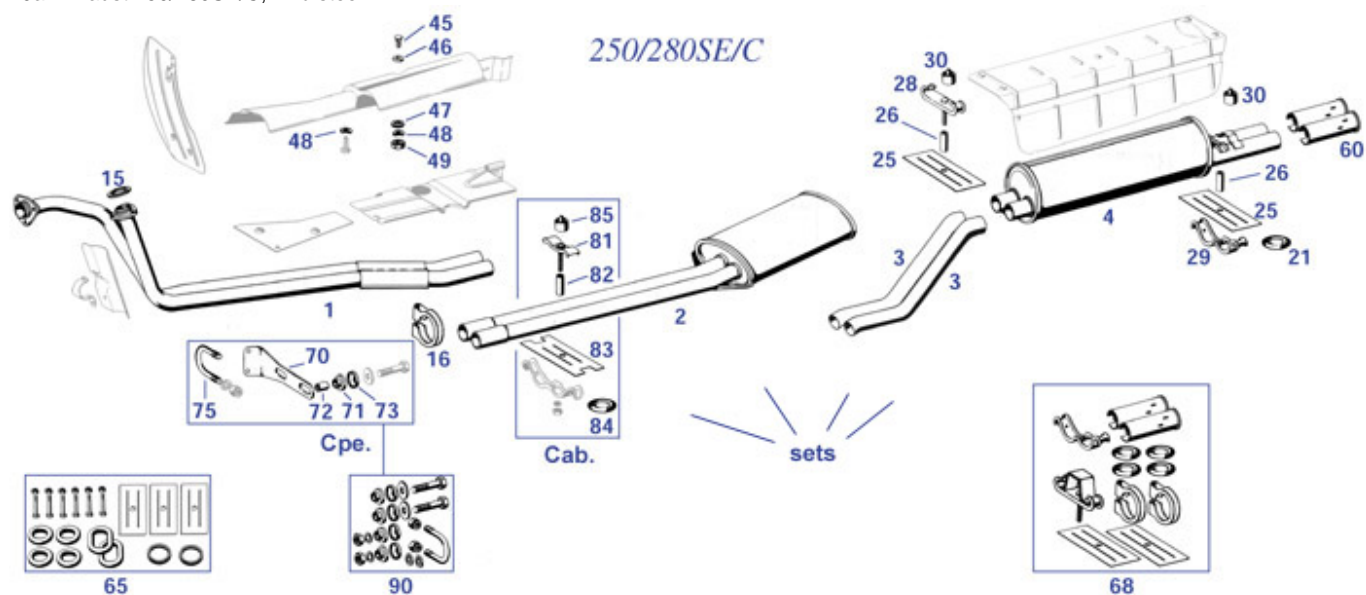
220SEb Coupe



	exhaust repair paste	749595	15,59 €		Frnt-Pipe Stainless 220SE/b Cab. LHD	349005	688,25 €
	Hex Bolt stainless steel, M8 X 30	349818	0,49 €	sets	Set 3-pcs stainless exhaust 220SEb	349891	1.888,99 €
	RR silencer stainless 220SEb	349928	747,63 €		Centre-silencer stainless, 220SEb	349923	458,82 €
sets	Set stainless steel exhaust 220SE/b Cab	349493	1.818,90 €	2	Centre box 220SEb/+C LHD (OEM)	349023	215,39 €
3	End box 220SEb/C, aftermarket	349030	239,90 €	3	Rear silencer W110, 190 (replcemt), 200-230, Repro	349029	298,00 €
16	Exhaust clamp, 51mm	149017	3,96 €	20	Spacer sleeve (e.g. exhaust bracket)	849819	3,76 €
20	threaded bushing with hexagonal collar	314003	8,93 €	21	Rubber shim at exh. bracket	114002	3,83 €
22	Retainer at exh. bracket	114001	3,13 €	41	inner diameter 30, rubberstring 15	249019	1,90 €
43	Rubber buffer, exhaust	798747	1,18 €	43	Rubber buffer, floor/exhast, others...	249818	4,68 €
55	Clamping Bolt M6 for square bodypanel holes	188036	7,90 €	56	Rubber ring, wiper motor	282407	0,77 €
57	Washer 6.4 large, yellow zinned	299276	0,18 €	58	Spring washer M6	142158	0,15 €
59	Hex nut M6, yellow zinc.	181023	0,18 €	70	Tail pipe, pipe shape, chrome, fits 45-49mm pipes	949031	43,49 €

49a Exhaust 250/280SE/C, mild steel

49a Exhaust 250/280SE/C, mild steel



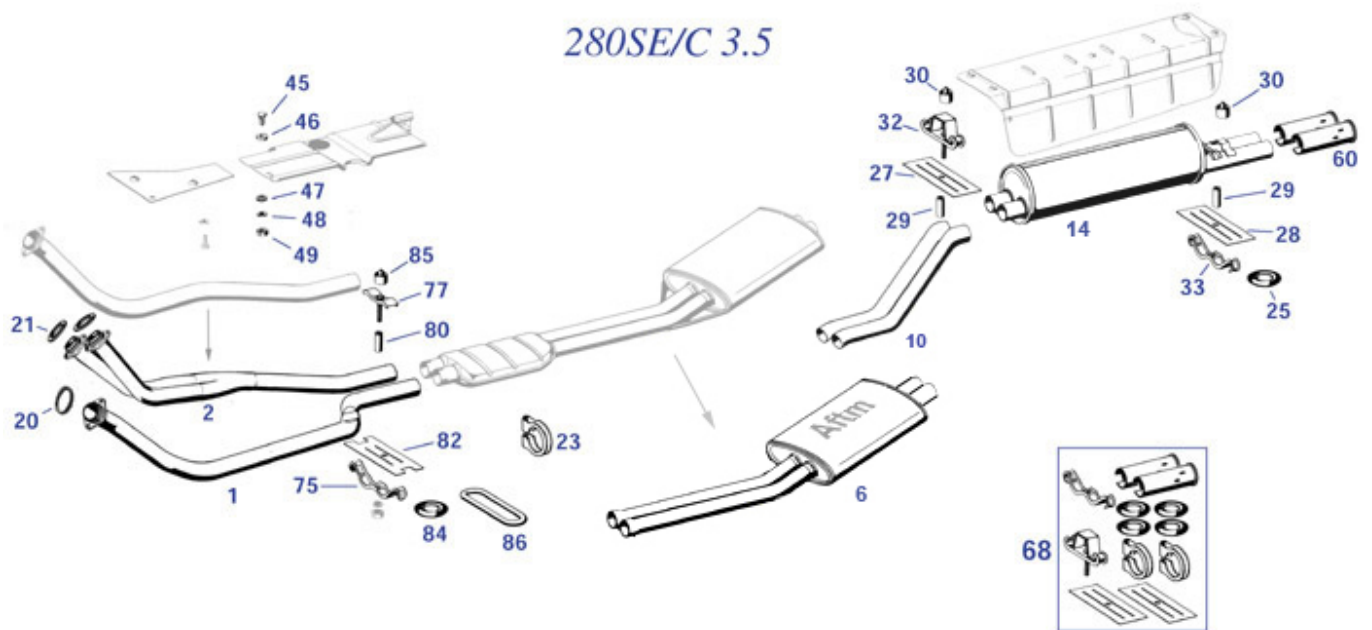
In this illustration: the LHD double tube version (continuous double pipe) was used from the injection model 250SE W108 or W111 and thereafter for all 280S/SE as a modernization/successor of the one-pipe plant (types up to 250S). Since no longer all parts are available from industrial after-production, adaptation can be useful:

- Combination clamped components with those intended for welding
- Conversion of front or middle tubes to other ground platform (convertible) for adaptation
- Conversion of SE front tubes for adaptation to carburetor models.

	exhaust repair paste	749595	15,59 €		Gasket Intake/Exhaust M127-130, ELRING	249990	14,76 €
1	Frontpipe 250-280SE cpe. LHD	349009	291,25 €	2	Mid sil.250/280SE/SEC 2-pipe	849010	222,05 €
2	Mid sil.250/280SE/SEC 2-pipe	849810	133,52 €	3	Conn.pipe 250SE-300SEL	849020	29,00 €
4	Endtopf 6-Zyl.: 108-109, 111 sp. Aftm.	849830	200,99 €	15	Sealing ring, exhaust manif.	249060	2,37 €
16	Exhaust clamp, 51mm	149017	3,96 €	21	inner diameter 30, rubberstring 15	249019	1,90 €
25	Insulating plate	249015	8,62 €	26	Spacer sleeve (e.g. exhaust bracket)	849819	3,76 €
28	Hanger, rear muffler frt end 108-111 V8, W116	349013	15,95 €	30	Rubber buffer, floor/exhaust, others...	249818	4,68 €
30	Rubber buffer, exhaust	798747	1,18 €	45	Clamping Bolt M6 for square bodypanel holes	188036	7,90 €
46	Rubber ring, wiper motor	282407	0,77 €	47	Washer 6.4 large, yellow zincd	299276	0,18 €
48	Spring washer M6	142158	0,15 €	49	Hex nut M6, yellow zinc.	181023	0,18 €
60	Tail pipe, chrome, Premium quality	249033	31,57 €	60			

49b Exhaust 280SE/C 3.5

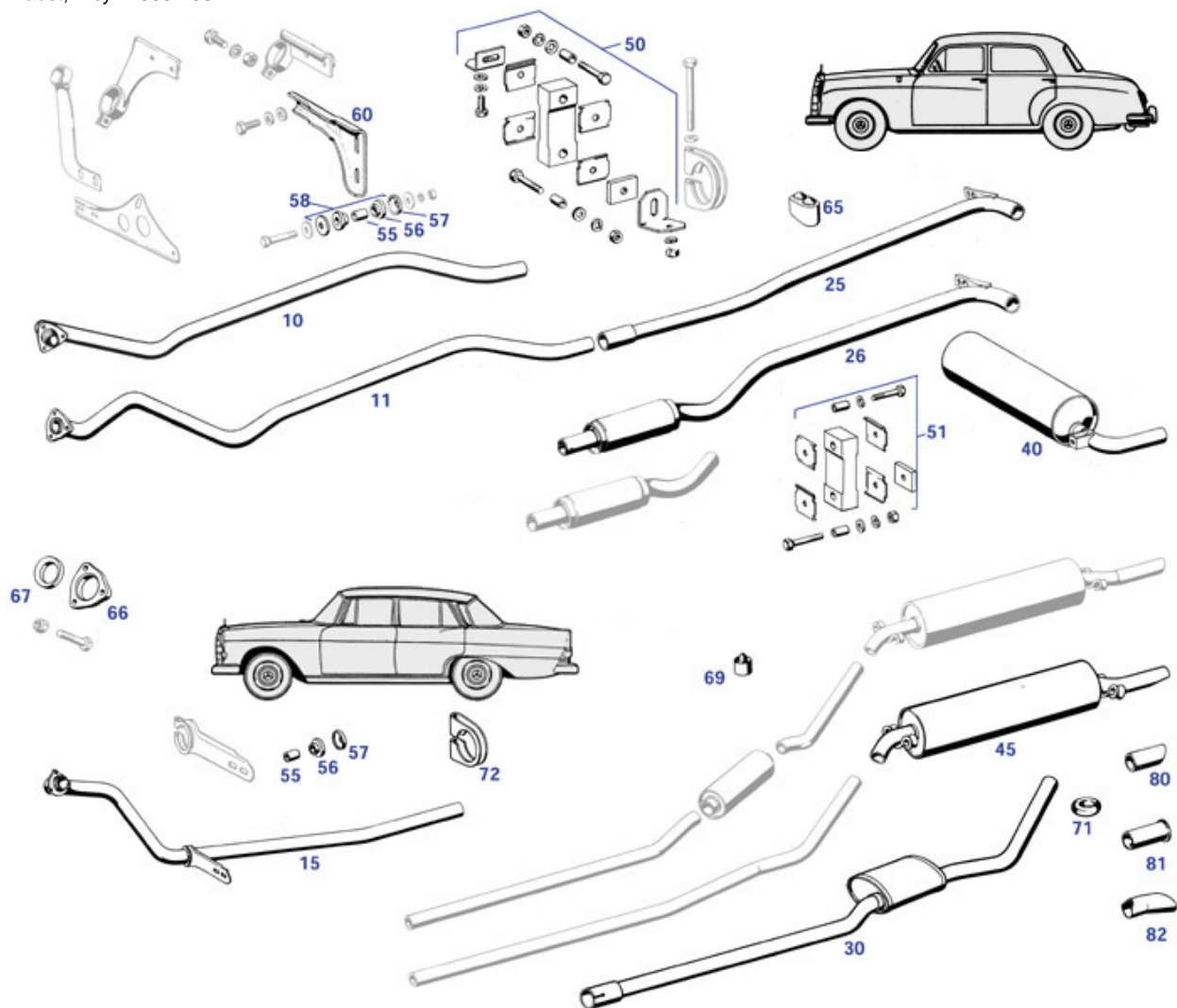
49b Exhaust 280SE/C 3.5



	exhaust repair paste	749595	15,59 €		ctre silencer W108-9 SEL / 3.5 / 4.5, Repro	849112	327,73 €
	Tail pipe, chrome	249733	22,85 €	1	Frt pipe 3.5 LH,LHD,108/9,111Cpe, Repro	849807	120,49 €
2	Frt pipe 3.5 RH,LHD,108/9,111Cpe, Repro	849808	160,00 €	6	ctre silencer W111, 280SE/SEC 3.5	349120	246,33 €
10	Conn.pipe V8 108/109,111 Cpe, repro	849821	124,95 €	14	Rear silencer 8 Cyl: 108-109, C111 3.5, Repro	849131	285,59 €
20	Manif.ring 350/350SL/C ->11.78	749066	1,63 €	21	Sealing ring, exhaust manif.	249060	2,37 €
21	gasket ring, 45 / 53,5	749060	2,50 €	23	Exh.clamp 53.5mm, ->03.80	749057	4,97 €
23	Exhaust clamp, 51mm	149017	3,96 €	25	inner diameter 30, rubberstring 15	249019	1,90 €
30	Rubber buffer, exhaust	798747	1,18 €	30	Rubber buffer, floor/exhaust, others...	249818	4,68 €
32	Hanger, rear muffler frt end 108-111 V8, W116	349013	15,95 €	45	Clamping Bolt M6 for square bodypanel holes	188036	7,90 €
46	Rubber ring, wiper motor	282407	0,77 €	48	Spring washer M6	142158	0,15 €
49	Hex nut M6, yellow zinc.	181023	0,18 €	60	Tail pipe, chrome, Premium quality	249033	31,57 €
75	Double hanger bracket. SLC, C111..	749854	16,24 €	75	exhaust hanger, fits 107 rear up to FN, 111FN	749853	9,64 €
77	Exhaust Bracket R/C107, W111 Coupe.3.5 A1094900343	749046	9,22 €	86	Rubber exhaust hanger, long =	749038	6,85 €

49c Exhaust, 4-cyl. 1955-1967

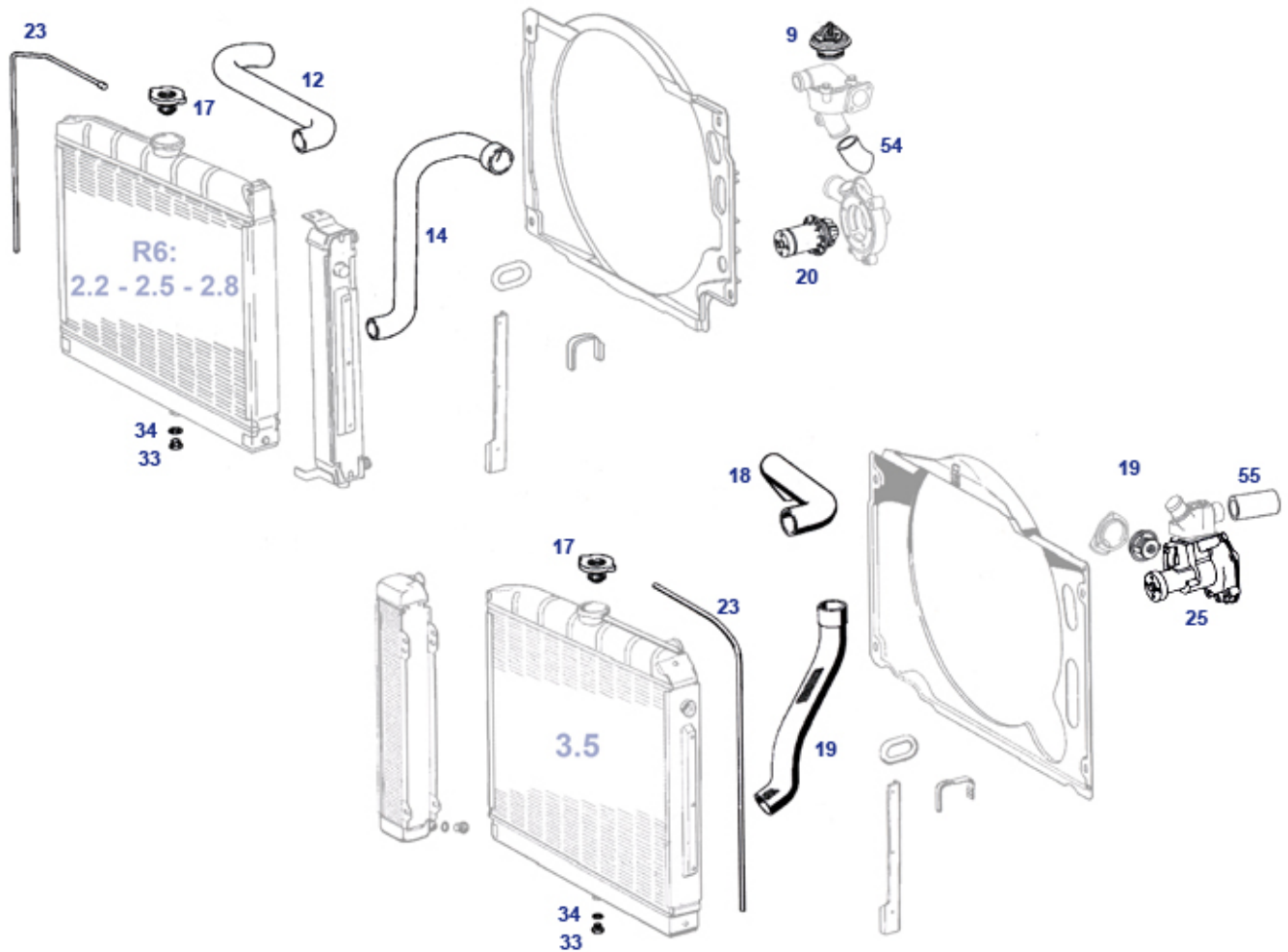
49c Exhaust, 4-cyl. 1955-1967



	exhaust repair paste	749595	15,59 €		Rear Silencer W110 Diesel, 190Dc/200D, Repro	349132	242,76 €
	Rest: Rear Silencer e.g. 190c (W110), Repro	349133	169,93 €		Rubber hanger, exhaust 190SL, pontoon	149048	5,65 €
10	Front pipe 180,180Db/Dc late , 190D,...	449010	120,19 €	10	Front pipe 180d,180Db/Dc early	449012	120,19 €
11	Exhaust pipe front 180a,b,c,190,b	449015	120,19 €	11	Front pipe 180a,b,c, 190, 190b	449011	120,19 €
15	Frontpipe 190c (W110) LHD	349002	129,31 €	25	"Exhaust pipe, "pontoon" without box"	449019	77,35 €
40	Rear silencer, aftm.zn/al-plated	149030	174,00 €	40	"Box, rear, "pontoon" 4 cyl."	449030	177,31 €
45	Rear silencer W110, 190 (replcement), 200-230, Repro	349029	298,00 €	51	Hanger kit, exhaust rear	149040	23,06 €
56	Rubber shim at exh. bracket	114002	3,83 €	57	Retainer at exh. bracket	114001	3,13 €
60	Exhaust support bracket, late LHD	114016	59,63 €	65	Rubber bumper at floor	149035	23,57 €
66	Flange 180er, 190,b,Db,D	449050	8,69 €	71	inner diameter 30, rubberstring 15	249019	1,90 €
72	HD clamp 45mm 3D-shape zincd steel	249017	6,55 €	72	Exhaust clamp, 48mm	749056	3,75 €
72	Exhaust clamp, 51mm	149017	3,96 €	81	Tail pipe, chrome, 180-200D	349060	13,71 €

50 Cooling System

50.c Radiator hoses from 220 up to 3.5

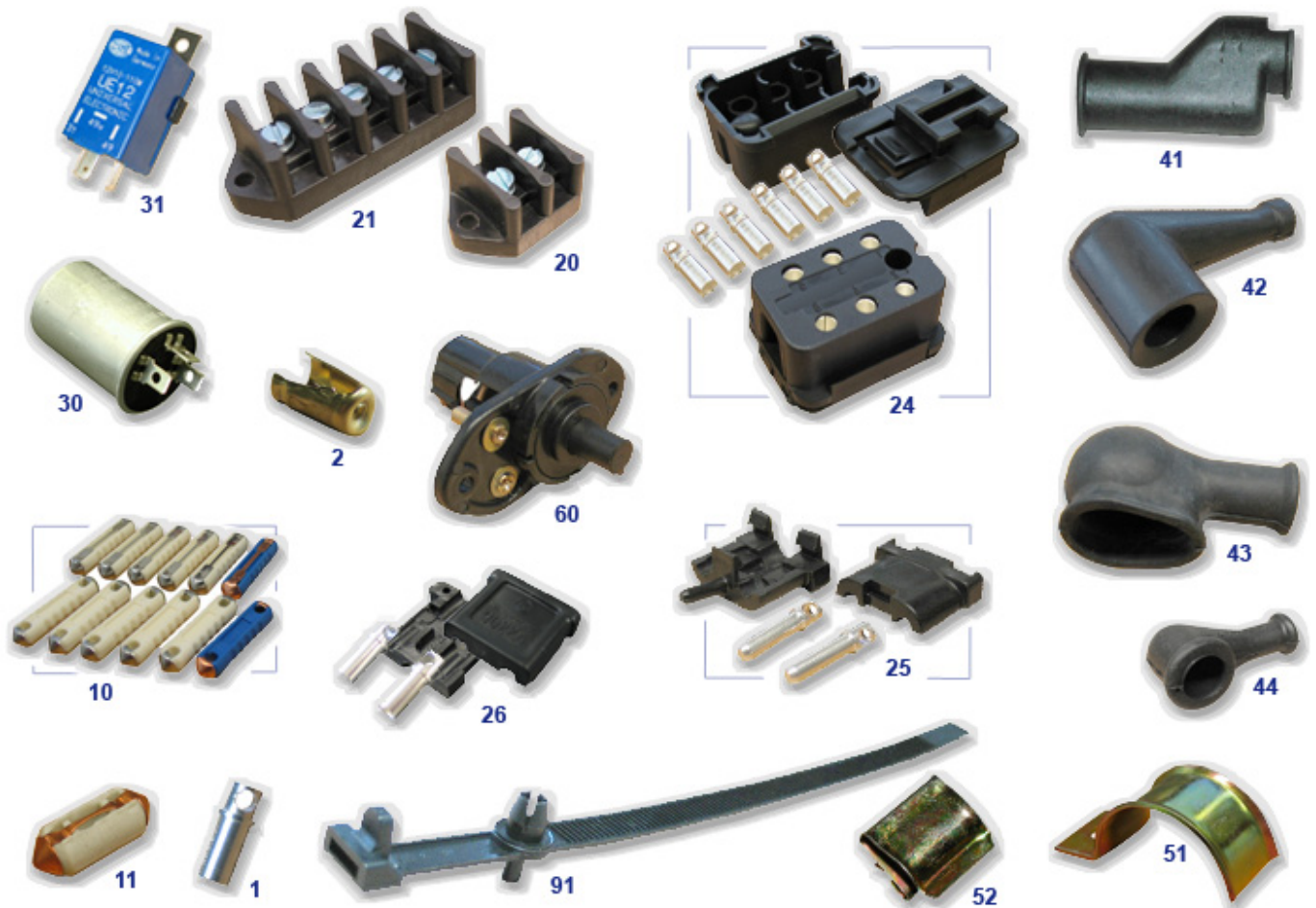


	fan blade 9 wings, plastic	520308	38,08 €		Visco fan coupling, M129,130E,110, Meyle	220030	151,00 €
	water pump for engine 114/115/180/127, maintance free	420820	46,90 €		Oil cooler, 280SL FN, Alu Repro	250811	303,45 €
	Rubbergrommet, heat.return Rt. or drain 108boot	799003	13,01 €		Water hose rad.lower, 280S/SE/SEL...	850013	21,42 €
	Visco fan coupling, M129,130E,110, FEBI	220530	149,55 €		Visco fan coupling, M129,130E,110, DASIS	220630	129,89 €
	Fan shroud W111 late	350215	1.035,72 €	9	Thermostat cartridge/gkt. 79°	220008	31,05 €
12	Rad.-hose upper, 250S/SE	850012	25,59 €	12	Water rose, rad upper, 6-Cyl, FN	850015	23,80 €
12	Water hose upper 110/111	350012	22,19 €	12	Rad.-hose upper, 280S/SE from VIN	350022	27,85 €
12	Water hose w. bellow	450006	64,36 €	14	Water hose, rad. 280SE/111 early, lower	350014	23,80 €
14	Water hose lower, 111/108 div	850014	27,19 €	14	Rad.-hose lower, 111-2.5 from FG	350013	35,70 €
17	Cap, cooling liquid "ID 100", W121&113	150017	29,75 €	17	Radiator cap ref A 123 501 0215 char-id 110	550016	5,36 €
17	Radiator cap ref A 123 501 0215 char-id 120	750016	14,99 €	18	Upper hose 3.5	850018	29,25 €
19	Rad.hose 3.5-Cpe lower	350019	28,56 €	19	thermostat 350-500SL/SLC, 75°C+o-ring	720009	29,99 €
23	1m radiator overflow hose	350023	6,90 €	33	A0005010065 Drain valve @ radiator lowe	150018	190,00 €
33	Drain plug screw M14 x 1,5 (rad. / eng,...)	250027	2,70 €	34	Copper seal ring	207115	0,62 €
36	Seal ring, sump plug	299303	0,33 €	111	Rubber ring, radiator to body,	850022	4,06 €

W108-115

54c Electric, universal small parts at wiring

54c Electric, universal small parts at wiring



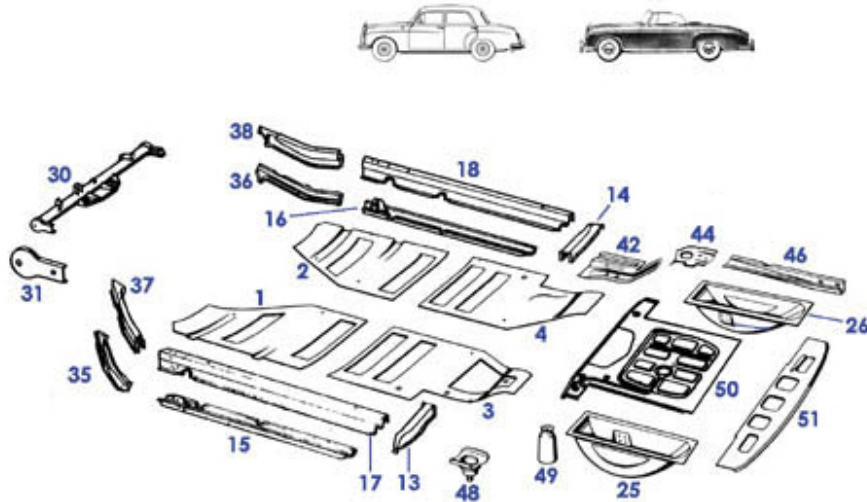
Fuel Sender W123 A1235420404	547735	229,90 €	Brass disc 4mm	754966	0,05 €
Benzinpumpen Relais	954047	101,15 €	Plastic nut, milled, cockpit W108, Lamps 123	854197	4,17 €
Milled plastic nut, rr lamp 108/111	382855	3,34 €	Milled M5 nut, plastic, white	282655	7,04 €
Antenna, manual	599974	29,75 €	Power Antenna, kit with different grommets	599975	94,01 €
Lambda sond e.g. M102 @ manifold	554219	149,00 €	ground strap 40cm, eyes 8 + 6mm, w.prot hose	354246	39,50 €
battery terminal screw M8 X28	554010	0,89 €	Screw for cable connections MS M4 X 8	754963	0,27 €
Screw for cable connections MS M5 X 8	754964	0,37 €	Screw for cable connections MS M6 X 8	754965	0,59 €
Brass disc 5mm	754967	0,16 €	Ground strap, bonnet 107, 111, 108	754888	29,37 €
Brass disc 6mm	754968	0,21 €	Ballast Resistor 0,2 Ohm, Reproduction	754868	31,66 €
Ballast Resistor 0,4 Ohm, Reproduction	254768	28,54 €	Ballast Resistor 0,6 Ohm, Reproduction	254767	26,45 €
Ballast Resistor 0,9 Ohm, Reproduction	254766	24,37 €	Ballast Resistor 1,8 Ohm, Reproduction	254708	24,37 €
4-pole housing (plastic base & cap), no metal bushings	254883	8,09 €	6-pole housing (plastic base & cap), no metal bushings	254180	8,45 €
8-pole housing (plastic base & cap), no metal bushings	254181	8,69 €	pigtail harness fits emergency switch 982034	982835	19,39 €
cable / loom tie 190mm	854088	2,51 €	switch, ign-lock '62-'67 113...	246890	89,25 €
Flex shaft speedo W108/9	854105	32,51 €	Speedo shaft 1300mm, 109 542 0007 -Repr	854107	15,60 €
8-Cyl-4-speed			Rubber cap inner side 15mm	215015	2,08 €
Turn signal transmitter (metal), Bosch	182001	98,18 €	Screw 4.2 e.g. at 298043	299278	0,38 €
2-pole housing (plastic base & cap), no metal bushings	254182	7,97 €			

	Milled M5 nut, plastic w insert	282855	3,30 €	1	contact bushing 4mm brass, silver plated	254855	1,40 €
1	El. Pin 2,5mm	954154	0,50 €	1	metal pin f. el. connectors	754054	0,77 €
1	flat crimp shoe, with nose, female, ... 2,5mm²	754055	0,65 €	1	Sold on sleeve 4mm	254055	2,69 €
1	contact pin 4mm brass silver plated	754956	0,60 €	1	El. Pin 2,5mm	954156	0,52 €
1	female contact 2,5mm	954153	0,55 €	2	Wire bushing with treaded pin	515999	2,25 €
11	25Amp fuse, short version, NOS	258991	5,69 €	20	2 pole terminal	154052	44,85 €
21	5-pole block terminal	154054	55,16 €	24	Rest: el. connector (fem) 6-pole, kit, OE-qual	254984	27,67 €
25	2-pole-connector, set, (m)	954158	8,93 €	25	part of housg, el. conn.	954945	2,20 €
25	part of housg. 2-pole male connector	254087	5,12 €	25	Set 2-pole-connector (m), narrow style	754158	10,92 €
26	Set 2-pole-connector (fem)	954157	7,74 €	26	el. coupling 2-pole, e.g. injectors	907126	3,53 €
26	ignition distributor repair kit	907124	26,99 €	30	Rubbermount, relais	254295	5,25 €
30	Relay, start-/ operation current, Repro	254095	67,84 €	30	Upgr. hazzard flasher Hella with wiring	982834	184,45 €
31	Universal-Relay "flip-flop", not A0005426819	982345	62,00 €	31	Flasher relay, see pict, pin position changed	254060	85,66 €
31	Pulse genarator, flat connectors, plastic housg, Hella	154018	29,39 €	31	Relay, idle contr., fuel-pump, 7-pin, 380US '83->	754305	93,99 €
31	El. relay, 5-pin see pict, div. applications	754329	17,85 €	31	Relay, flasher, retrofit., plastic knob, Bosch	982034	155,00 €
41	Cap, starter terminal	154056	5,71 €	42	Rubber Boot on to Thermoswitch	254125	9,39 €
43	Rubber cap, ECU-unit connector	854359	69,91 €	43	Rubber cap, starter wire, small	754026	6,14 €
43	Rubber Boot on Starter Motor and Alternator	254126	7,16 €	44	Grommet for Fuel Pump Wiring	299018	2,53 €
44	Rubber dust boot (at Gen. .)	254051	3,25 €	51	Clamp, wiring near A-pillar (inn-wdth 3	254168	7,54 €
51	Clamp, e.g. wiring, inner width 15mm	254069	5,65 €	51	large clamp, wire harness firewall, ref A1989950037	854168	9,10 €
51	Clamp,pipe,under body,rear	247053	7,69 €	51	Bracket,ign wires,plastic clamp, ca. 25mm, wires	215023	1,49 €
51	Clamp, e.g. oil-pipe, wires	199025	4,22 €	51	el. contact switch, door 129, 170, 124, ...	199023	7,32 €
52	Clip, cable	254073	1,09 €	60	Door switch round pin connectors	982021	5,24 €
60	Trunk(boot) light and switch '59-'85	282022	40,58 €	60	wire strap with rivet plug, short (120mm)	282721	82,26 €
91	wire strap with rivet plug, 160mm	854087	1,29 €	91	wire strap, ref as 001 997 4390	554087	1,26 €
91	Hose strap, replaces hose clamp	250099	0,55 €	91	Plug socket 12V/16A, universal, non-MB, non-Boschl	754179	0,65 €
99	Fuse Box e.g. 220/220S Pontoon	454220	594,88 €	99	Flex shaft speedo W108 Autm late	554867	8,83 €
99	Knob, Design 1968, M5, fits Cigar lighters M5	254843	45,28 €	99		854106	32,51 €

58 Tools for classic MB veh., non universal

Safety wedge f.tyre service threaded brake line fitting "F"	258110	286,20 €	Fuse 5 A long	958091	0,77 €
	942994	0,57 €	Tool: support arm joint mover 129, 124, ...	958350	124,95 €
hook pair for dismounting instrument panel	758054	59,99 €	Alignment bolt, steering centering	258460	55,54 €
Mounting aid clutch alignment	258250	94,00 €	Mounting aid upper ctrre rear mount	258353	74,99 €
Tool bag without tools	258806	48,79 €	Fuse 16 A long	958094	0,89 €
Fuse 5 A long	958093	0,89 €	Fuse 25 A long	958092	0,60 €
Tool, wiper link shaft greasing	258826	65,45 €	Set 3 pcs tools, fitting MB grooved nut	258260	285,60 €
Mounting aid front thrust bearing	258351	69,02 €	1 pce Wing prot.cover, cotton, magnet	999922	37,00 €
Staubfrei Handfeger Cotton, 35cm	999915	49,99 €	Tire pressure tester	958400	19,00 €
professional battery charger 10A	954090	267,75 €	Battery main switch	954088	26,00 €
1 pair of tire protection underlay pads	940900	52,00 €	label: tire pressure W109	899951	26,26 €
Wheel nut wrench, orig, latest version	259101	23,50 €	25Amp fuse, short version, NOS	258991	5,69 €
Tool for special nut rr axle shafts	258350	49,98 €	Tool for special nut rr axle shafts	258750	130,90 €

61.a Floors1955-1962 "Platform Pontoon"

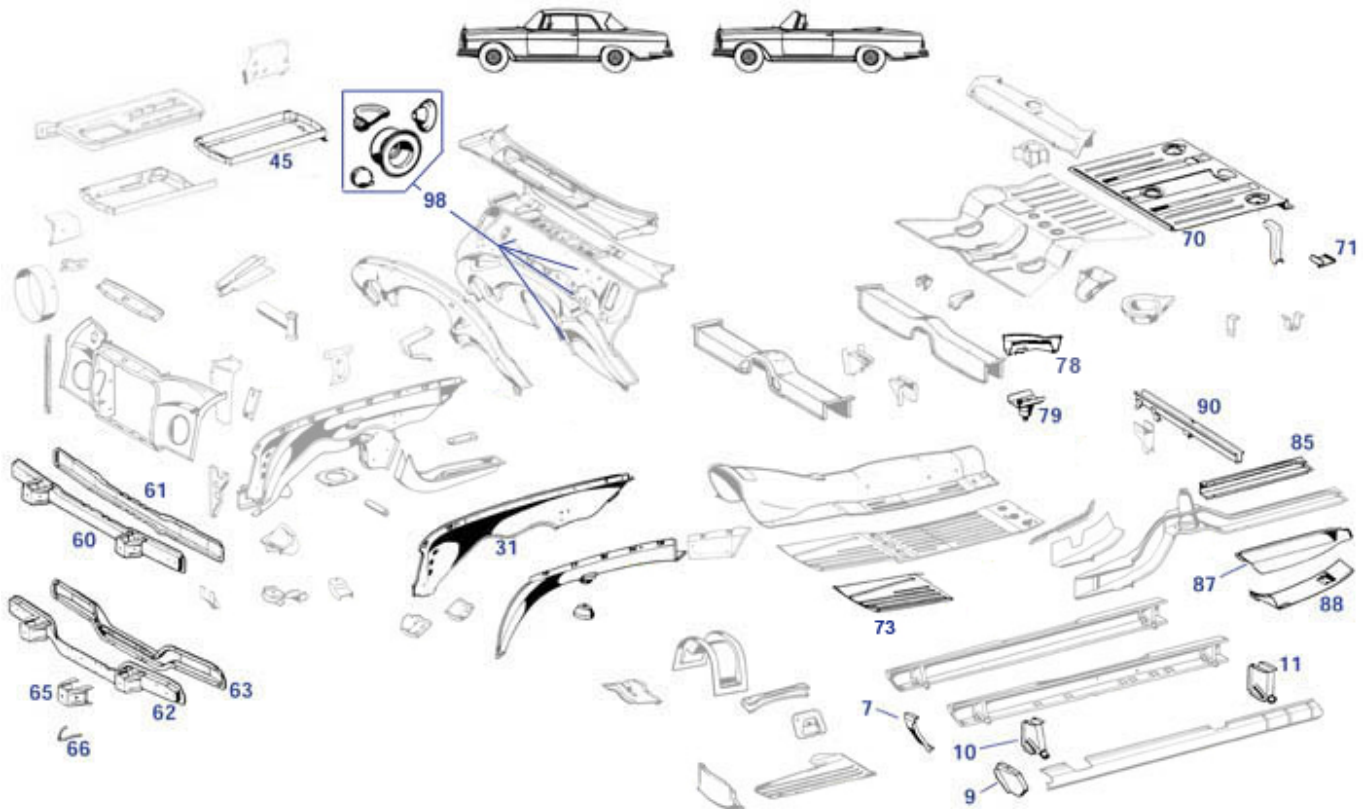


	Set rbr mats rocker panels, grey W120..	468585	224,55 €		Floor panel rear, left side	461046	238,00 €
	Falzblech Ponton, rechts unten	462080	483,51 €		threaded plate lower left side	462072	34,12 €
	Falzblech Ponton, links unten	462070	483,51 €		Rep-Blech Radlauf Ponton vo.li.	462045	296,86 €
	Lufthutze vor Heizkanal rechts	462026	342,83 €		Lufthutze vor Heizkanal links	462025	301,81 €
	Stützblech unter dem Heckbl.innen	461215	576,19 €		Bodenblech Ponton, hinten re.	461056	238,00 €
1	Floor panel front left W121 & Ponton A1216160167	161011	220,15 €	1	Floor panel, front, Lt.	161010	139,13 €
2	Floor panel, front, Rt.	161020	139,13 €	2	Floor panel front right W121 & Ponton A1216160267	161021	220,15 €
3	Floor panel, rear, left. Ponton	461045	243,46 €	4	Floor panel, rear, Rt. pontoon	461055	243,46 €
15	Längsträger Unterschale li.220S Cpe/Cab	461111	781,83 €	15	Side rail lower shell. 6-cyl-pon.li.	461110	398,46 €
15	Side rail lower shell 4-cyl. Lt.	461115	159,00 €	16	Side rail lower shell 4-cyl. Rt.	461125	159,08 €
16	Längsträger Unterschale re.220S Cpe/Cab	461121	848,17 €	16	Side rail lower shell. 6-cyl-pon,r.	461120	398,46 €
17	Längsträger Oberschale li. 220S Cpe/Cab	461171	1.151,18 €	17	Side rail shell, upper left. 6-cyl	461175	344,64 €
18	Längsträger Oberschale re. 220S Cpe/Cab	461181	1.151,18 €	18	Side rail Rt. 4-cyl. sedan	461180	244,56 €
18	Side rail shell, up.Rt. 6-cyl	461185	344,64 €	25	Spare wheel well pontoon Lt.	461290	613,78 €
26	Spare wheel well pontoon Rt.	461300	613,78 €	30	Cross tube fr. 4-cyl. pontoon	461310	507,30 €
30	Crosstube, 6-cyl.w.o.radiator support	461312	528,60 €	31	see 161311	461315	76,16 €
35	Rail cap, front. Lt.	161070	175,00 €	36	Rail cap, front. Rt.	161080	175,00 €
37	Side supp top Lt.	161075	162,27 €	38	Side supp top Rt.	161085	162,27 €
42	Forward 1/3 of item 161155 Rt.	161140	219,50 €	42	Forward 1/3 of item 161145 Lt.	161130	219,50 €
44	Center section of item 161145 Lt.	161135	158,60 €	44	Center section of item 161155 Rt.	161136	158,60 €
46	RR frame member RH, lower end section	161160	209,04 €	46	RR frame member LH, lower end section	161150	209,04 €
48	Support for rear axle strut	161210	31,89 €	49	Cup for shock absorber mounting	161166	260,90 €
50	Trunk floor, center section	161220	369,41 €	51	Rear panel, boot	461230	341,70 €
51	Cross member trunkfloor,w/o tank bracke	161400	283,24 €	51	Querträger hi., Repro mit Tankhalter	161800	309,40 €

61/62 W111Cpe/Cab Front and Floor

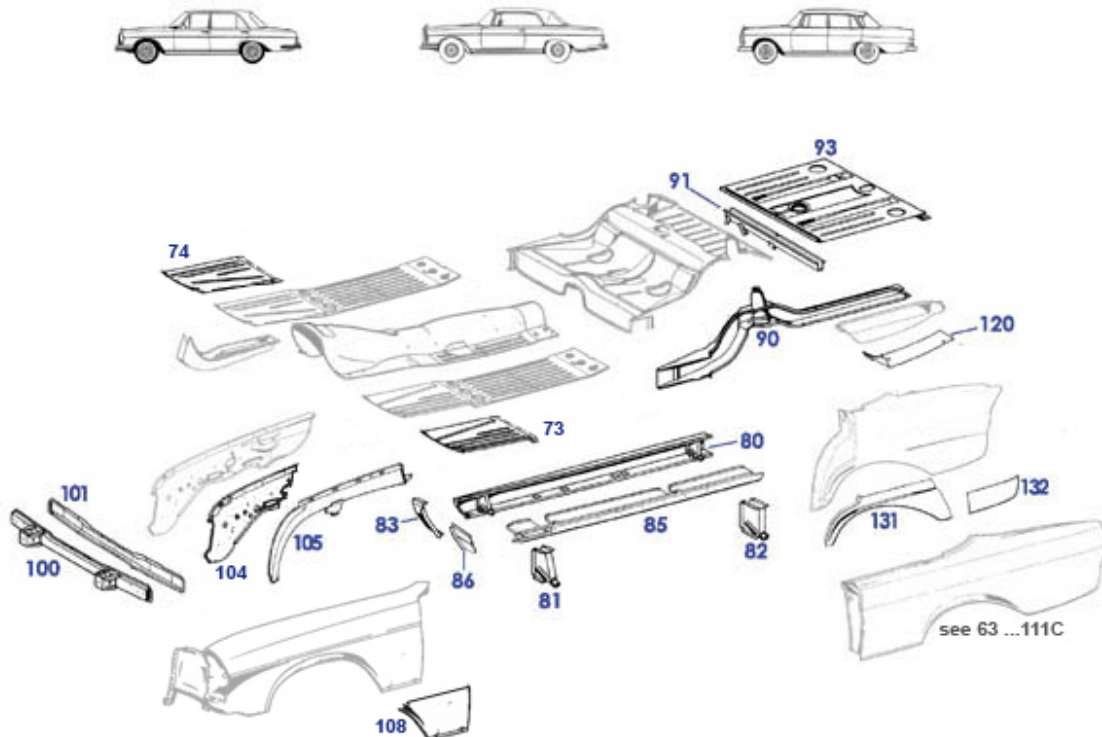
61/62 W111Cpe/Cab Front and Floor

C111: 220SEb/250/280SE/SE3.5 Cpe/Cab



	Rep.-patch lower front rail in wheel arch 111 RH	362121	39,27 €		Rep.-patch lower front rail in wheel arch 111 LH	362111	39,27 €
2	Rep section tail, panel W111 2-door	364105	471,09 €	2	Side rail, Cab., RH, inner	361020	410,00 €
	Side rail, Cab.,inner left	361010	410,00 €	4	A1116375235 Side rail C111-112 ot.Rt.	363020	754,94 €
4	A1116375135 Side rail C111-112 ot.Lt.	363010	754,94 €	7	Cap, inner rail front end, RH, W110-model	361023	27,89 €
7	Cap, inner rail front end, LH, W110-model	361013	27,89 €	10	Jacking point W/C108-112 fr.	861015	34,99 €
11	Jacking point W/C108-112 rr.	861017	37,00 €	33	A1116205685 Inner wing support C111, Rt	362120	883,90 €
35	Plate, shocker bracket,upper, ref.-No. A1803260267	232040	16,60 €	39	steel tube, steering gear mount @ frame	262131	14,22 €
60	Frt-member frt shell, W110+111 up to FN	362020	339,15 €	61	Frt-member rr shell W110/111 up to FN	362030	155,91 €
62	front shell front cross member late	862020	365,33 €	63	Rear shell, front cross member late	862030	159,00 €
65	Bracket,bumper to cross member frt. RH	362024	86,25 €	65	Bracket,bumper to cross member front left	362023	86,25 €
66	Tow hook, front	362025	28,92 €	70	round cover above fuel sender,Repro	247814	5,20 €
70	Cover above fuel sender, plastic,black	347014	7,79 €	70	A1106160162 Boot floor main panel 108-1	861000	599,99 €
73	Floor pan front section 108-112 LH	361830	90,44 €	73	Floor pan front section 108-112 RH	361840	90,44 €
78	Member shell RH above strut mount	361160	178,50 €	78	Member shell LH above strut mount	361150	178,50 €
79	Frame mount for rear struts 110-111-108	335010	356,99 €	80	A1106101510 Side rail W/C108,110,111, L	361090	799,00 €
80	Side rail W/C108,110,111, right	361100	799,00 €	87	Panel, trunk to rail rr.RH	361060	70,40 €
87	Panel, trunk to rail rr.LH	361050	75,26 €	88	Grommet 4/20mm, 1 hole, drain	399009	1,71 €
88	Bottom, spare tyre wel, left	363050	84,00 €	88	Bottom, spare tyre well, right	363060	92,65 €
90	Crossmember w.tank-supp,no exh-support	361110	125,00 €	98	Foam shim, wiper motor to firewall W111	382248	10,95 €

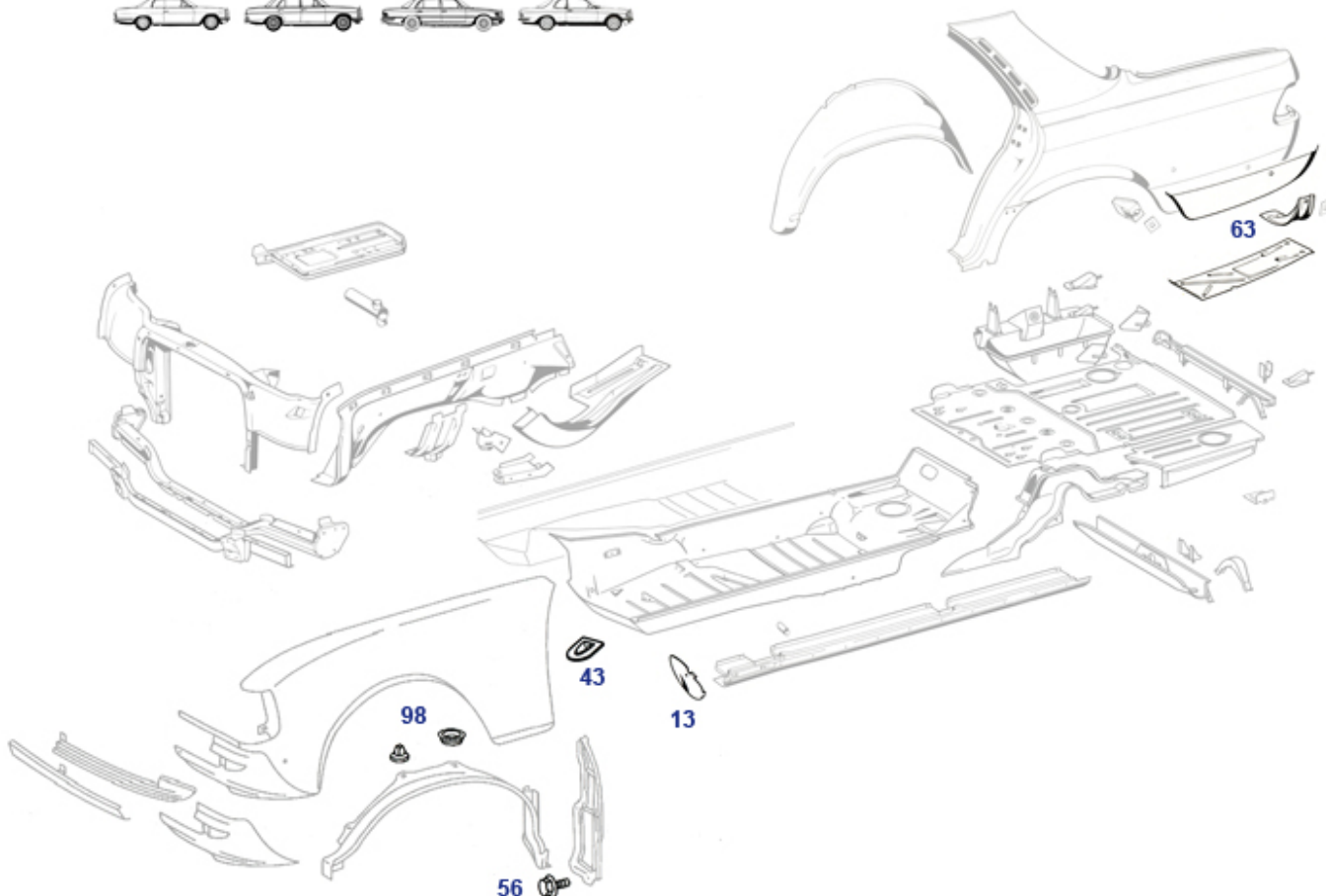
61.b Floors and Rep-Panels 1959-1972 "Platform 110"



	A1106370236 Blanking plate W110-2 side	363028	17,85 €		A1106370136 Blanking plate W110-2 side	363018	17,85 €
73	Floor pan front section 108-112 LH	361830	90,44 €	74	Floor pan front section 108-112 RH	361840	90,44 €
80	Side rail, Cab., RH, inner	361020	410,00 €	80	Side rail, Cab.,inner left	361010	410,00 €
81	Jacking point W/C108-112 fr.	861015	34,99 €	82	Jacking point W/C108-112 rr.	861017	37,00 €
83	Cap, inner rail front end, LH, W110-model	361013	27,89 €	83	Cap, inner rail front end, RH, W110-model	361023	27,89 €
86	Front end cap, outer rail RH, W108/9	863028	24,99 €	86	Front end cap, outer rail LH, W108/9	863018	24,99 €
90	A1106101510 Side rail W/C108,110,111, L	361090	799,00 €	91	Crossmember w.tank-supp,no exh-support	361110	125,00 €
93	Cover above fuel sender, plastic,black	347014	7,79 €	93	round cover above fuel sender,Repro	247814	5,20 €
93	A1106160162 Boot floor main panel 108-1	861000	599,99 €	100	front shell front cross member late	862020	365,33 €
100	Frt-member frt shell, W110+111 up to FN	362020	339,15 €	101	Rear shell, front cross member late	862030	159,00 €
101	Frt-member rr shell W110/111 up to FN	362030	155,91 €	104	Rep-sect. inner wing frt LH W110	362141	234,58 €
104	Rep-sect. inner wing frt LH W110	362131	234,58 €	105	Patch, inner wing support W110, front left	362113	79,99 €
105	Rep.-patch lower front rail in wheel arch 111 RH	362121	39,27 €	105	Rep.-patch lower front rail in wheel arch 111 LH	362111	39,27 €
105	Patch, inner wing support W110, front right	362123	79,99 €	105	Inner wing support, W111-4-door, fr.Rt.	362122	110,31 €
105	A1116205685 Inner wing support C111, Rt	362120	883,90 €	105	Inner wing support, W111-4-door, fr.Lt.	362112	110,31 €
108	Rep.-panel frt wing RH, rear section, W108+9	888023	53,55 €	108	Rep.-panel frt wing LH, rear section, W108+9	888013	53,55 €
120	Panel, trunk to rail rr.LH	361050	75,26 €	120	Bottom, spare tyre wel, left	363050	84,00 €
120	Bottom, spare tyre well, right	363060	92,65 €	120	Stiffening RH, trunk floor to panel and bumper 108	861081	46,41 €
120	Floor section, spare tyre well 108 (trunk RH)	861080	98,59 €	120	Stiffening LH, trunk floor to panel and bumper 108	861071	46,41 €
120	Floor panel, s.tyre wl.108/9 Rt.	861070	125,25 €	120	Grommet 4/20mm, 1 hole, drain	399009	1,71 €

131	Patch panel outer wheel arch 108 LH	863073	95,97 €	131	Patch panel outer wheelarch RH W108 rea	863083	95,97 €
131	Patch panel W110-112 rear Rt.	363086	73,54 €	131	Patch panel W110-112 rear Lt.	363076	71,69 €
131	wheel housing repair panel rear left	363875	117,20 €	131	wheel housing repair panel rear right	363885	117,20 €
132	Patch, rear wing lower ends RH, 110/112 4-door	363089	40,46 €	132	Patch, rear wing lower ends RH, 110/112 4-door	363079	40,46 €

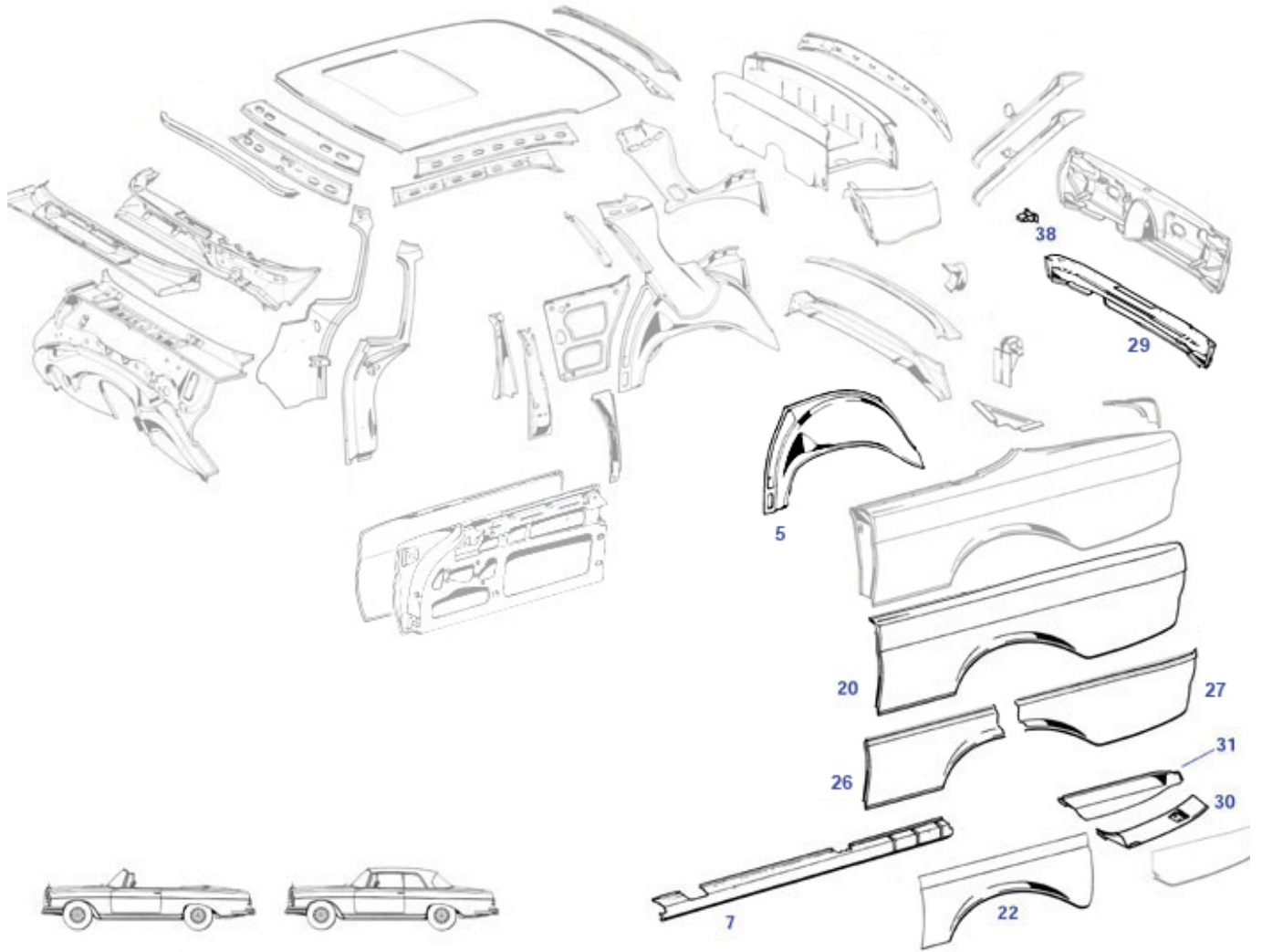
61.c Floors- and Body Rep.-Panelling Types from Platform 114



13	cap, rail front end RH, W114/W115	563028	20,23 €	13	cap, rail front end LH, W114/W115	563018	20,23 €
43	pan, brake wire support at floor, 114/115	561035	19,04 €	63	stiffening floor to side panel W116/W123	563023	71,40 €
98	Plug rivet for square hole eg, lower rad.cover	788991	1,32 €	561010	Rep.-Bodenblech 200-280CE, li.	561011	77,35 €
561010	Rep.-Bodenblech vo. 200-280CE links	561012	62,48 €	561010	Rep.-Bodenblech 200-280CE, re.	561021	77,35 €
561010	Rep.-Bodenblech vo. 200-280CE rechts	561022	62,48 €	561016	Rep.-Längsträger außen links	563016	101,15 €
561016	Rep.-Längsträger außen rechts	563026	101,15 €	561093	Rep-section inner rail rear LH W123	561093	39,00 €
561093	Rep-section inner rail rear LH W123	561103	39,00 €	563051	Patch panel wheel house LH W115	563051	35,76 €
563051	Patch panel wheel house RH W115	563061	35,76 €	563073	Dec. strip set, whl. arch W114/115	564000	133,52 €

63/64 Panelling Tail+Roof W111Cpe/Cab

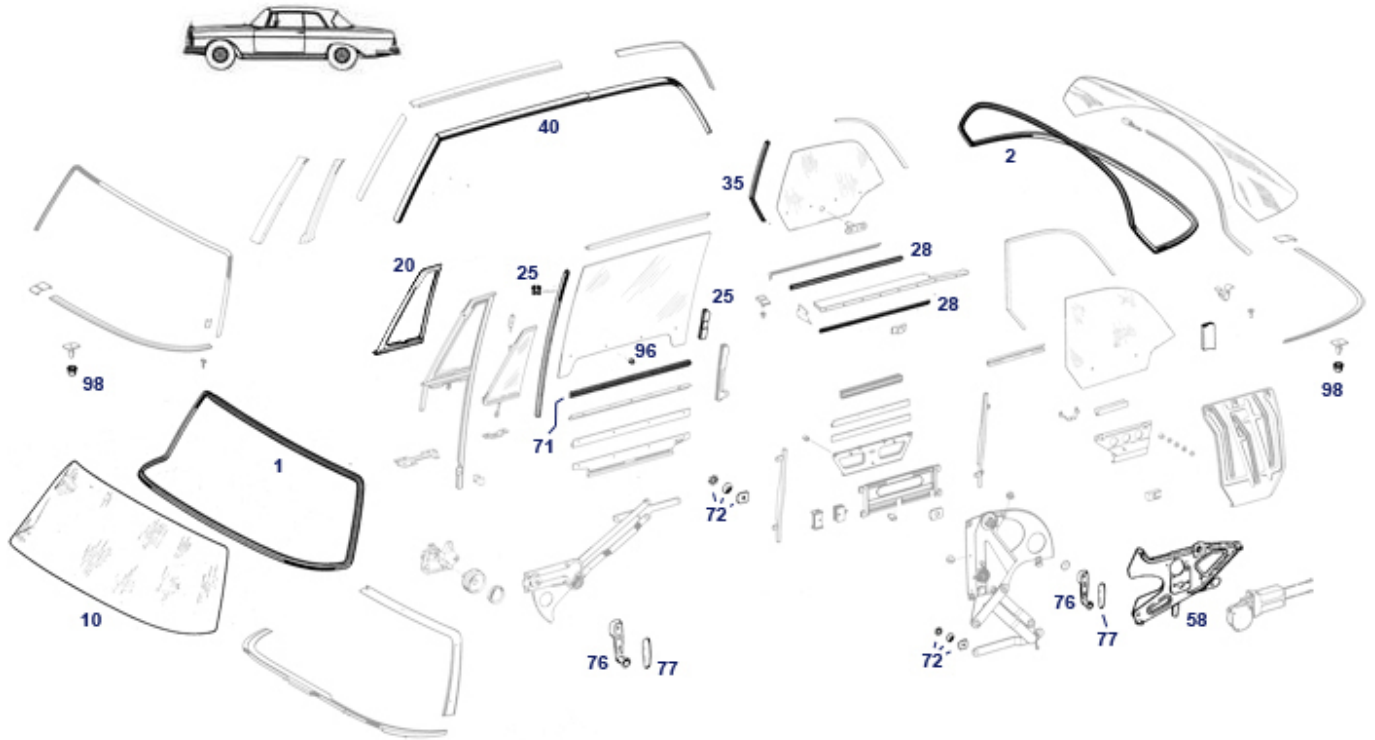
63/64 Panelling Tail+Roof W111Cpe/Cab



	brush L or R sunroof	878720	26,41 €		unchromed trim left behind softtop	369021	606,90 €
	unchromed trim middle behind softtop	369023	606,90 €		unchromed trim right behind softtop	369022	606,90 €
	Chrome trim	377100	204,29 €	5	Outer wheel arch, Cab/Cpe, RH, Repro	364063	490,15 €
5	Outer wheel arch, Cab/Cpe, LH, Repro	364053	490,15 €	7	A1116375235 Side rail C111-112 ot.Rt.	363020	754,94 €
7	A1116375135 Side rail C111-112 ot.Lt.	363010	754,94 €	20	Rep-panel wing rr.LH 80% 111 2 door	363074	790,81 €
20	Rep.panel wing rr.RH 80% 111 2-door	363084	790,81 €	20	Cardbox for large spareparts, 170x60x80cm	967993	25,82 €
22	Patch panel outer wheel arch 108 LH	863073	95,97 €	22	Patch panel C111/112 rear left	363073	82,74 €
22	Patch panel C111/112 rear Rt.	363083	82,74 €	22	Patch panel outer wheelarch RH W108 rea	863083	95,97 €
26	Rep.panel wing rr.RH, frt section, 111 2-door	363082	458,46 €	26	Rep.panel wing rr.LH, frt section, 111 2-door	363072	458,46 €
27	Rep.panel wing rr.LH, rr section, 111 2-door	363078	458,46 €	27	Rep.panel wing rr.RH, rr section, 111 2-door	363088	458,46 €
29	Rep section tail, panel W111 2-door	364105	471,09 €	30	Bottom, spare tyre wel, left	363050	84,00 €
30	Bottom, spare tyre well, right	363060	92,65 €	30	Grommet 4/20mm, 1 hole, drain	399009	1,71 €
31	Panel, trunk to rail rr.LH	361050	75,26 €	31	Panel, trunk to rail rr.RH	361060	70,40 €
38	Lug wrench holder	164041	15,33 €	40	Stow position hook W111-Cab, right	377044	395,96 €
40	Stow position hook W111-Cab, left	377033	395,96 €	67	Window regulator for E-motor, rear RH 111Cpe	367380	380,10 €
67	Window regulator for E-motor, rear	367370	377,62 €	82	Foam shim, wiper motor to firewall	382248	10,95 €

67.d Window and seal W111-2-door

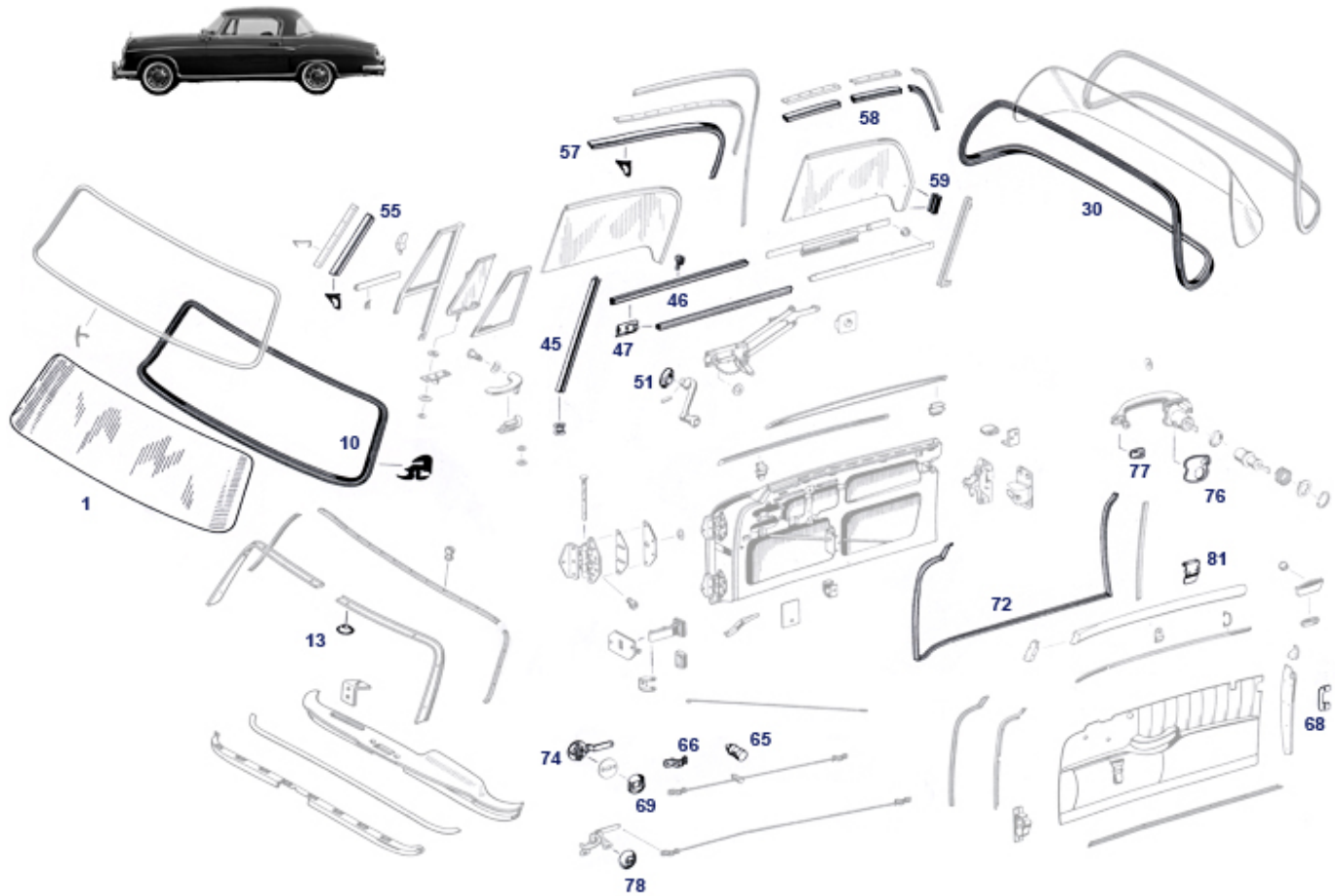
67.d Window and seal W111-2-door



	Bolt, flat head, garnish trim below WS, 2x req	367117	13,35 €		1m rbr profile, glass framing	367055	14,28 €
1	main body seal kit W111-2, Cpe, OE-quality	372600	1.191,14 €	1	W/s gasket, W111-2: cpe/cab, OE-quality	367000	132,28 €
2	Rubber seal rr window W111 Cpe	367030	119,95 €	10	W/S glasstransp. incl. box(Germany)	967999	121,25 €
10	A1116715310	367010	513,50 €	10	Windscreen 111 Cpe/Cab tinted	367012	345,10 €
10	A1116715210	367013	740,99 €	20	Triangle. window. gasket. C111/2 left	372130	178,50 €
20	Triangle window gasket C111/2 right	372230	178,50 €	25	window slide rail, 2m	372525	49,98 €
35	Seal, coupe-window frt rail, 111,114	367255	42,08 €	40	Side wind. seal W111 coupe Rt.	372211	102,99 €
40	Abdichtgummi W111 Cabrio, right	372215	83,90 €	40	Seal W111 Cabrio, left	372210	83,90 €
40	Side wind. seal W111 coupe Lt.	372216	102,99 €	58	Window regulator for E-motor, rear RH 111Cpe	367380	380,10 €
58	Window regulator for E-motor, rear LH 111Cpe	367370	377,62 €	62	side window seal rear left	367053	63,49 €
62	side window seal rear right	367052	63,49 €	63	Halteschiene, Seitenfenster hi	367508	12,05 €
64	Clip, eg door covering	772229	1,23 €	69	Rivet, rear window drip strips	270691	0,20 €
71	1m brush profile? Window Scraper Seal - 1157250965	872500	21,19 €	72	Washer Kit for Mounting Window Regulator - 1237200114	272752	10,88 €
76	Window crank handle 63-70 replacemt	276001	133,64 €	77	Crank Pad 06.63->01.70 black	276090	14,99 €
96	Rubber sleeve for door glass	272075	2,30 €	96	1m hose 1/4" x 1,5 e.g glass mount	272875	1,82 €
97	Rubber buffer 5mm,121,113,10	298066	0,89 €	98	Clip, moulder below windscr	367098	0,71 €

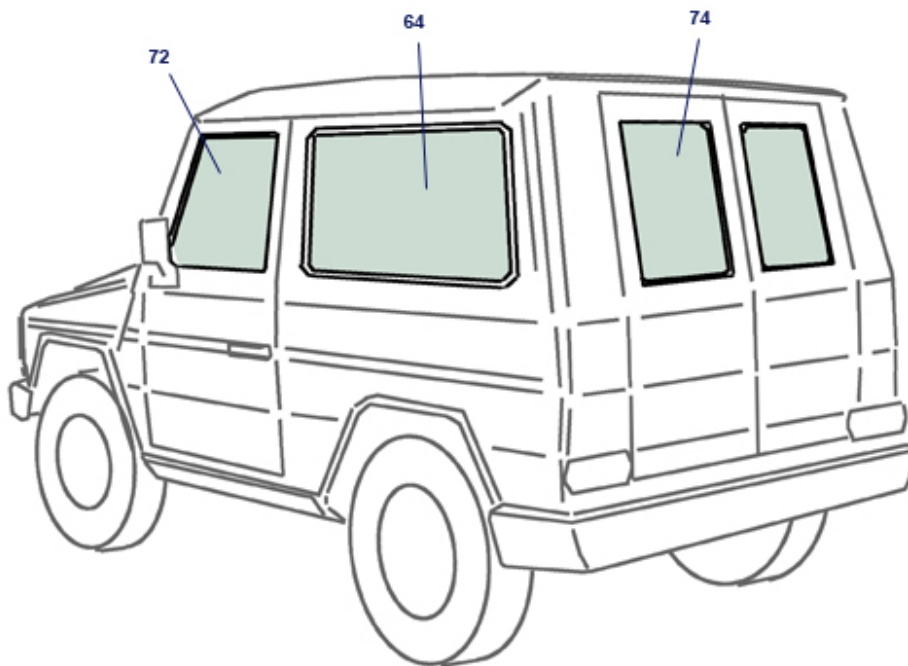
67.c Windows and Door Ponton Cpe/Cab

67.c Windows and Door Ponton Cpe/Cab



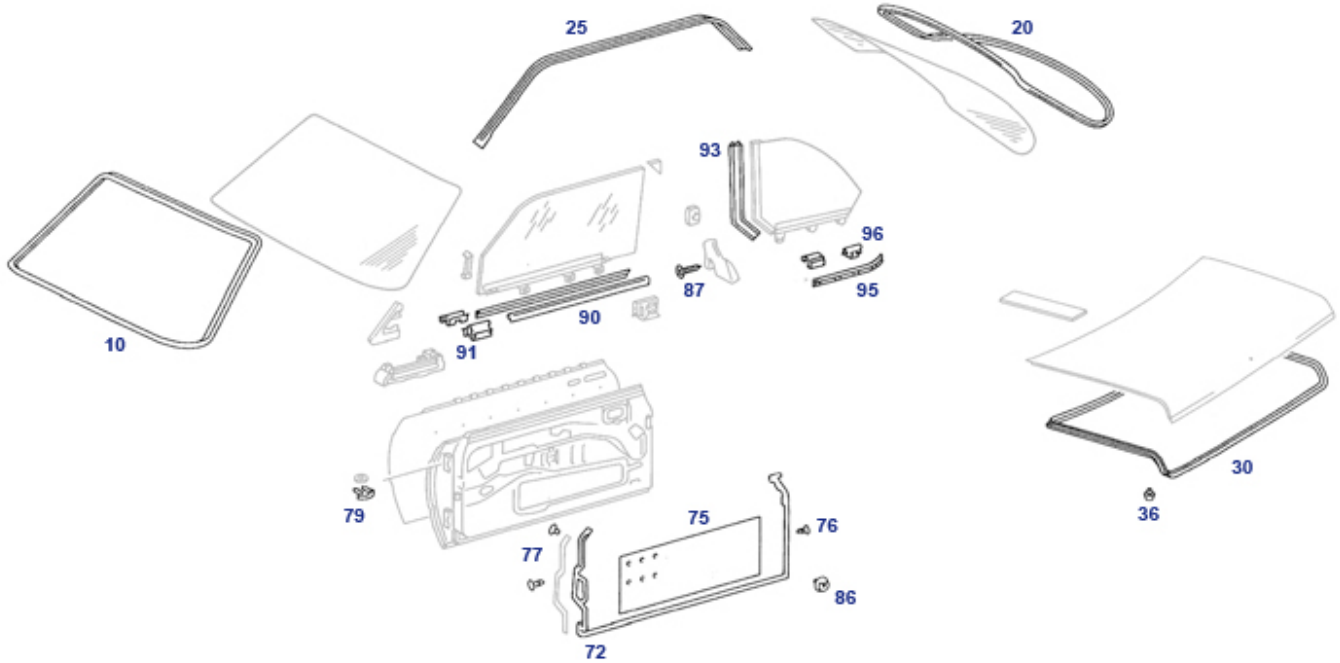
	Rubber rod guide 190SL, R113, 111Cpe/Cab	298705	5,95 €		door stop RH assy see pict	172884	310,00 €
	Clip, dec. strip Ponton	472115	2,49 €	1	W/S glastransp. incl. box(Germany)	967999	121,25 €
1	Windscreen 220S Cpe/Cab clear	467001	345,10 €	10	W/S seal, 220S/SE con/cpe	467000	159,40 €
13	countersunk washer / screw escutcheon	373113	0,70 €	13	Screw countersunk, 3,9 x 22	999994	2,28 €
13	Screw, countersunk, 3,5 door-chr.	799927	1,14 €	30	Rear window seal pontoon coupe	467030	158,57 €
45	window slide rail, 2m	372525	49,98 €	46	1m brush profile? Window Scraper Seal - 1157250965	872500	21,19 €
51	Escutcheon assembly, with spring	176002	67,50 €	55..uni	Universal rbr seal 1m, side windows 2-Door Ponton	472703	41,65 €
59	Guide jaw Pontoon Cpe/Cab	472033	23,21 €	65	Rubber rod guide 190SL, R113, 111Cpe/Cab	298005	5,55 €
66	clips for door actuator link wires	198004	27,04 €	68	Covering, locks years '60-'61	472029	59,00 €
69	Door lock escutcheon plate	176066	78,53 €	72	Door seal, Pontoon cab/cpe. RH	472200	189,21 €
72	Door seal, Pontoon cab/cpe. LH	472100	189,21 €	74	Chrome handle for int.locking repair	172195	59,99 €
74	Locking handle assy. inner door ->'67 R	172194	109,78 €	74	Locking handle assy, inner door ->'67 L	172193	109,78 €
76	Door handle seal, left	472013	5,70 €	76	Door handle seal, Rt.	472012	5,70 €
77	Door handle seal, Ponton left/right	472011	4,19 €	78	Escutcheon, inner door handle	176055	8,39 €

67.g Window glass, G-models



64	glass, right, green (station compartment),5/6-door cars	G4676110	109,48 €	64	glass, right, green (station compartment),5/6-door cars	G4676120	109,48 €
64	glass, right, green (station compartment),3/4-door cars	G4676111	109,48 €	64	glass, left, green (station compartment),3/4-door cars	G4676121	109,48 €
72	door glass, front left, green	G4672110	95,20 €	72	door glass, front right, green	G4672120	95,20 €
74	rear door glass, left, green	G4673110	71,40 €	74	rear door glass, right, green	G4673120	71,40 €

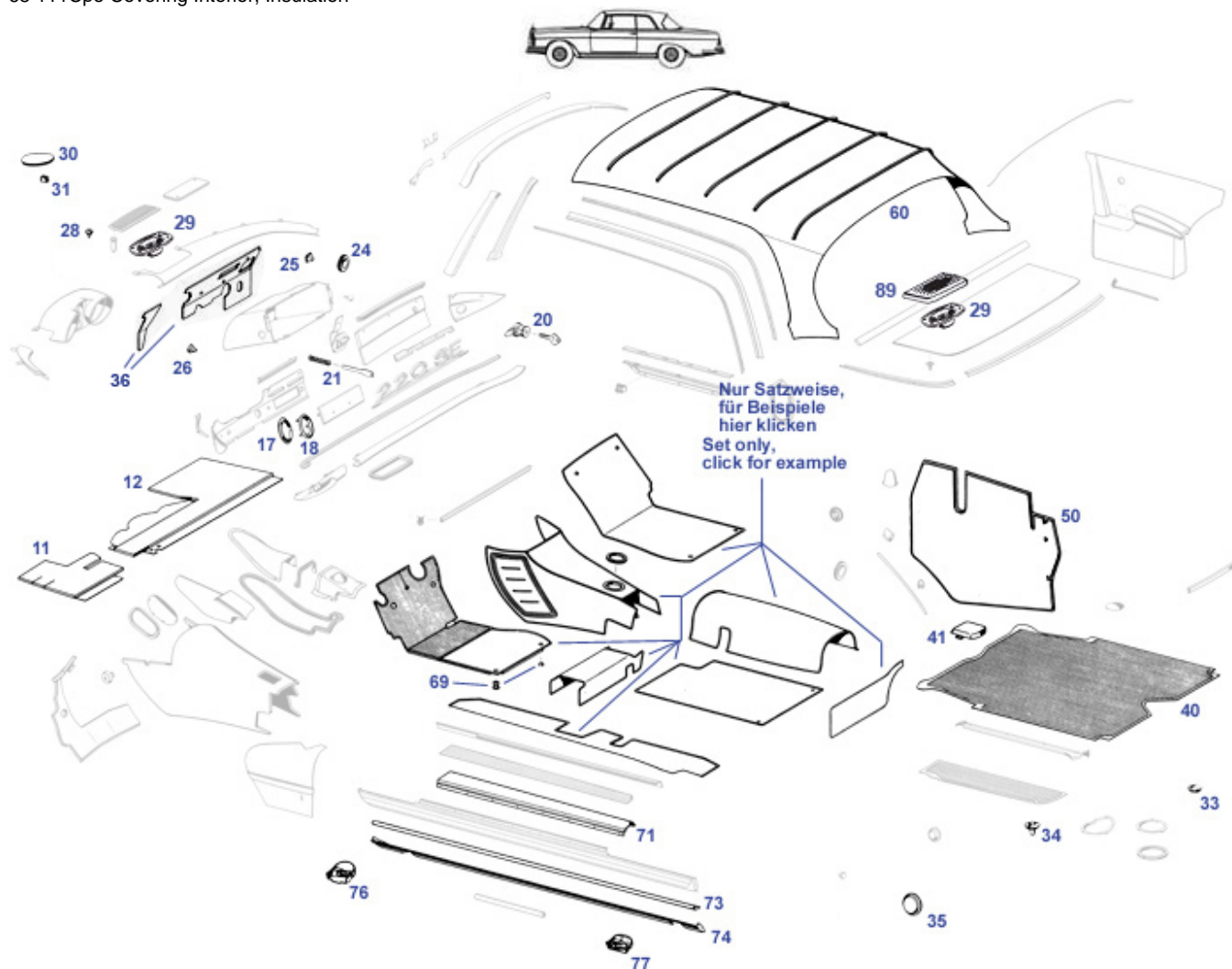
67, 72, 75 Weatherstrips Coupe 114, 123, ..



b-pil	A1157270431 Gkt., B-pillar C114 Rt.	572282	39,50 €	b-pil	A1157270331 Gkt., B-pillar C114 Lt.	572182	39,50 €
10	Rubber seal windscreen W123 Coupe	567123	98,00 €	10	W/s gasket, W114 cup	567000	116,62 €
20	R/w gasket, W114 cup.	567030	110,00 €	20	Rubber seal rear window W123 Coupe	567130	124,95 €
25	Gkt. u. side window, Left	572215	89,25 €	25	Gkt. u. side window, Rt.	572210	89,25 €
30	Boot seal W114 cpe (2-door), Repro	575020	83,00 €	36	Buffer, conical shape, boot lid div.	398043	1,65 €
72	Door seal C114 cpe, Lt.	572100	136,85 €	72	Door seal C114 cpe, Rt.	572200	136,85 €
72	Door seal, C123 LH	572123	110,00 €	72	Door seal C123 RH	572223	110,00 €
75	Insulation, adhesive, at door skin inside R/C107	772168	49,99 €	75	A1686820308 Sound damper, door skin	772068	17,26 €
76	Clip, door seal, rear	772158	0,60 €	77	Stopper for seal	772159	0,40 €
79	Locking clips, door catch bolt	772118	0,73 €	86	Clip, eg door covering	772229	1,23 €
86	Clip on door trim (16x veh.)	772228	0,48 €	87	screw countersunk PH 2,9x13 stainless	769179	0,24 €
91	Clip inner brush, late (from ca. 11.1982)	773804	3,00 €	91	Clip, fits new style brush, black	772508	0,73 €
93	Seal, coupe-window frt rail, 111,114	367255	42,08 €	93	1m rbr profile, glass framing	367055	14,28 €
95	1m brush profile? Window Scraper Seal - 1157250965	872500	21,19 €	96	clip , bush strip W108, W109, W114, W115, outer	572502	2,34 €
96	Clip, brush strip, inner @ coupe-window	772504	1,90 €	96	Clip, window brush W110,111,112	372502	2,99 €
167	Frontscheibe W114 Coupe, klar	567010	350,99 €	167	W/S-Scheibe 250-280CE, color neoprene 6mm, self-adhesive, 1/sqm	567011	455,00 €
167	A1156710710	567012	513,50 €	175		968035	31,50 €

68 111Cpe Covering Interior, Insulation

68 111Cpe Covering Interior, Insulation

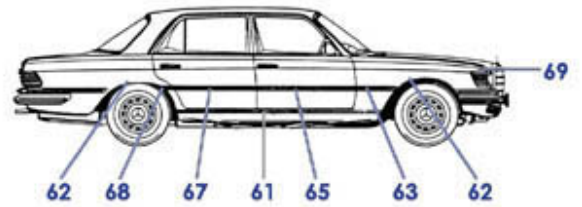
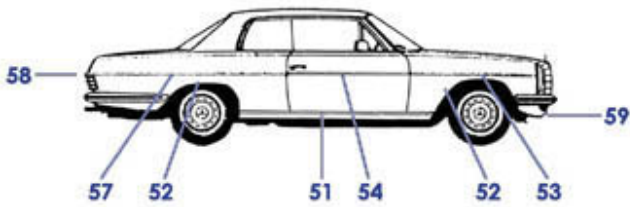
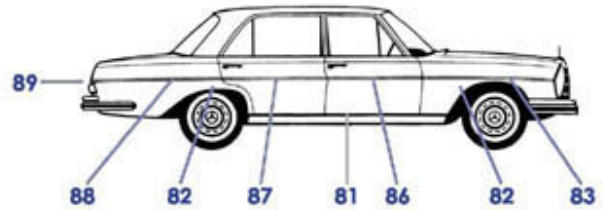
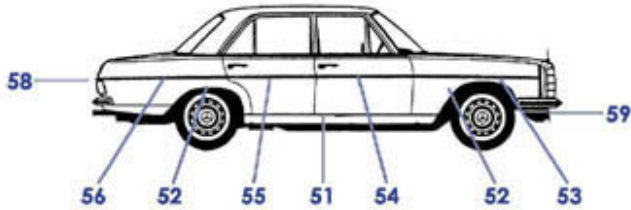
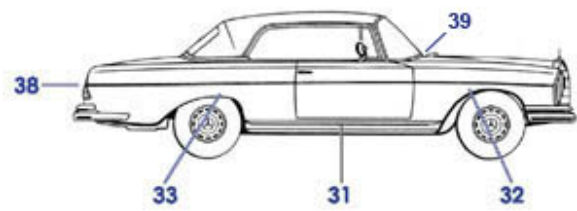
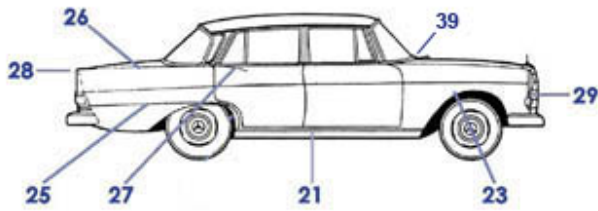


speaker	Speaker, W111 footwell, if "Stereo"	368215	245,01 €	knob, plastic base, carpet fixture	798006	3,19 €	
tero	1sqm mat, Terodem SP300 self adhesive	968170	75,45 €	Teppichsatz 111 Cpe Schlinge anthrazit	393272	385,51 €	
	Foam sheet per square mtr, D=5mm	368037	8,65 €	Teppichsatz 111 Cpe rot-boucle	394173	462,41 €	
	Metal Clip, covers,	268676	1,79 €	11	Cover, paper under dash C111 LHD LH, FN	368035	64,40 €
12	Cover, paper under dash C111 LHD RH FN	368036	103,04 €	17	Rubber pad, dec. ring, ->167	268042	16,18 €
17	Rubber ring 1967 -> 07..1979 A1156890097	268044	4,61 €	18	lock escutcheon up to '67, Alu anodized	268041	7,98 €
24	Rbr plug 17,5mm	398995	1,17 €	25	Rubbergrommet, firewall, square	299026	3,32 €
26	Rubber buffer 5mm,121,113,10	298066	0,89 €	29	Speaker 108/109/111	368015	75,36 €
30	Cover, front subframe mount	268010	11,90 €	31	Clip,cover	268009	1,57 €
33	Plug, 32mm, e.g. boot, ..Repro	268309	1,81 €	33	Buffer, conical shape, boot lid div.	398043	1,65 €
34	Grommet 4/20mm, 1 hole, drain	399009	1,71 €	36	Firewall Insulation 111/2, version see picture	368530	212,89 €
36	Firewall mat LHD W111 220 SEB, Material 13mm	368532	210,00 €	40	Rubber trunk main mat A1086840105	868300	218,96 €
41	Rivet,for cover in boot	269034	0,35 €	41	cover rear cross member, above axle mount	269832	31,90 €
50	Covering blk card, boot 108LH	868611	87,51 €	50	Covering, W110 boot LH	368612	94,00 €
50	Card+foam covering W111 Cpe-trunk LH	368611	103,04 €	59	Seal 111Cpe	369040	127,39 €
69	Cap part of snap	177005	1,79 €	69	Knob(1pce),e.g.rubbermats	268105	4,94 €
69	Screw 4,2 x 25	268104	0,30 €	69	Spring eye part of snap	177006	0,39 €
69	Ball to screw, part of snap	177003	0,43 €	71	Panel under rocker mat , LH door	368170	95,00 €

71	Panel under rocker rubber, RH doorstep	368180	95,00 €	73	step 1m rbr profile, Cab/Cpe rocker	398011	5,65 €
77	Cover/ Plug jack mount rear A1118995108	389008	24,50 €	85	Nachrüst-Gurt, Fond zB. W108	899973	107,10 €

69/88 Trims at Sidepanel

69/88 Trims at Sidepanel



	Dec. strip set, whl. arch W/C111, B.Quality	B364000	119,00 €				Bolt, flat head, garnish trim below WS, 2x req	367117	13,35 €
	Rubber underlay, tailpanel trims ref 0009872760	369056	39,69 €	21			Clip, t'hold strip, to'67	898010	1,49 €
21	Clip, dec. strip Ponton	472115	2,49 €	27			Clips	472056	4,30 €
28	Schild "200D" am A-Brett,solange Vorrat	381028	28,56 €	31			1m rbr profile, Cab/Cpe rocker	398011	5,65 €
31	Plug, e.g. upper trim at door W111 Cpe/convertible, Ref.-No.	372082	2,56 €	33			1m rubber profile e.g. prot.	169056	2,99 €
39	grommet washer-clip	367099	0,60 €	39			Connecting piece, middle	267045	14,33 €
51	Clip,rocker panel trim 108, ...	872056	0,20 €	52			Dec. strip set, whl. arch W114/115	564000	133,52 €
53	Dec. strip, wing, fr.Lt.	569070	45,70 €	53			Dec. strip, wing, fr.Rt.	569080	45,70 €
54a	Dec. strip on door limo fr.Rt.	572256	30,33 €	54a			Dec. strip on door limo fr.Lt.	572255	30,33 €
55	Dec. strip on door rr.Lt.	573255	30,33 €	55			Dec. strip on door rr. Lt.	573256	30,33 €
61	Dec. strip t'hold SEL Lt.	669051	29,42 €	61			Dec. strip t'hold SEL Rt.	669061	47,60 €
63	Dec. strip, wing, fr. Lt.	669070	115,00 €	63			Dec. strip, wing, fr. Rt. W116 NOS	669080	115,00 €
67	Dec. strip rear door SE Lt.	673250	27,06 €	67			Dec. strip rear door SEL Lt.	673251	51,52 €
67	Dec. strip rear door SE Rt.	673260	49,67 €	68			Dec. strip bf. rear whl. Lt.	669110	26,79 €
68	Dec. strip bf. rear whl. Rt. W116 NOS	669120	32,13 €	83			Trim plug, red	772083	0,24 €
126	Bumper bracket L or R, outer	388126	93,89 €	150			Bumper bracket late Cpe frt inner LH	388150	63,72 €
150	Bumper bracket late Cpe frt inner RH	388160	63,72 €	999			Plug, trim fitment, grey	772082	1,02 €

67/72/75 Weatherstrips 4-door vehicles

67/72/75 Weatherstrips W110+111+112(4-door), 108+109

W/s gasket, W110-112: limo, OE-quality	367020	164,99 €	grommet, frt door wirings 108/9	899050	29,99 €
Door seal W108 (SE), rear left originalquality	873100	200,99 €	Door seal W108-9 (SEL) rr.Lt.	873105	169,19 €
Clip, door seal	873159	0,60 €	Seal B-pillar W108-9 rear left original quality	873180	59,50 €
Door seal W108 (SE) rear right original quality	873200	200,99 €	Door seal W108-9 (SEL) rr.r	873205	160,00 €
Seal B-pillar W108-9 rear right original quality	873280	59,50 €	Seal, s'shine roof frt. 108 114 123	878900	17,85 €
Boot seal W108/109 , reproduction	875822	98,89 €	A1087270431 Seal, B-pillar W108-9 fr.Rt	872280	52,90 €
Rr window seal, W108/109, reproduction	867833	93,15 €	W/S seal 108/109, reproduction	867820	77,35 €
W/s gasket, W110-112: limo, reproduction	367820	82,11 €	grommet, drain hose @ trunk W108 sunroof	878099	30,03 €
brush L or R sunroof	878720	26,41 €	1m fabric hose black, for protection profiles pillars	372804	12,79 €
1m fabric hose blue, for protection profiles pillars	372805	12,79 €	1m fabric hose brown, for protection profiles pillars	372806	12,79 €
clip, brush, inner, 108,109,114,115	872502	7,49 €	Door seal W108-109 fr.Rt.	872200	179,99 €
R/w gasket, W110-112 4-door cars, OE-quality	367033	99,00 €	Seal B-pillar W110-112 rear right	373280	29,75 €
R/W gasket, W110-112 4-door cars, FEBI	367833	81,52 €	Door seal 190-300SEL, fr.Lt.	372105	256,93 €
Seal B-pillar W110-112 fr.L	372180	46,40 €	A1107200278 Door seal 190-300SEL, fr.Rt	372205	256,93 €
Seal B-pillar W110-112 front right	372280	46,40 €	Door seal 190-300SE, rr.Lt.	373100	163,14 €
Gkt. B-pillar W110-112 rear left	373180	29,75 €	Door seal 190-300SE, rr.Rt.	373200	163,14 €
Boot seal, fits 4-door	375022	140,00 €	Seal B-pillar W108-9 front Left original quality	872180	52,90 €
Rear window gasket, ponton/limo OEM	467033	64,50 €	W/s gasket, W108/109, FEBI	867020	94,90 €
Rr window seal, W108/109, OE-quality	867033	104,54 €	Frontscheibendichtung 108 Orig	867920	143,50 €
Set rbr mats rocker pnl, blk, W108 S/S	868580	115,00 €	Set rbr mats rocker pnl, grey, W108-S/S	868585	115,00 €
Set rbr mats rocker pnl,blk, W108/9-SE	868590	115,00 €	Set rbr mats rocker pnl, grey, W108/9-SE	868595	115,00 €
Door seal W108-109 fr.Lt.	872100	179,99 €	6 pcs set rubber mats W110/111, 4-door LHD, interior, no	368501	362,95 €

67/72/75 Weatherstrips W114+115(4-door), W123, W116

W/s gasket, W114/115	567020	99,00 €	Rubberseal windscreed W116, OE-quality	667020	91,26 €
Body seal kit, 9pcs, W123 4-door	572601	389,00 €	Set 4pcs grommets, B-pillar->rear doors, CL/PWL	899051	19,04 €
clip, brush, inner, 108,109,114,115	872502	7,49 €	Boot seal W116, Repro	675022	102,52 €
Door seal W116, front right	672200	109,00 €	Door seal W116, front left	672100	109,00 €
Rubber seal, rear window W116, OE-quality	667033	75,68 €	seal rear, sunroof 115, 116	578910	13,09 €
A1156780820 R/w gasket, W114/115	567033	109,99 €	Boot seal 4-door-W114/115, Repro	575022	49,99 €
Gkt.,triang.wind. W114-5 Rt. rr.	573240	53,55 €	A1157301478 Door seal W114-115 rr. Rt.	573200	129,70 €
Door seal W114-115 rear left	573100	129,70 €	Door seal W114-115 front right	572205	124,95 €
Door seal W114-115 front left	572105	124,95 €	rear window seal W114/115	567833	36,30 €

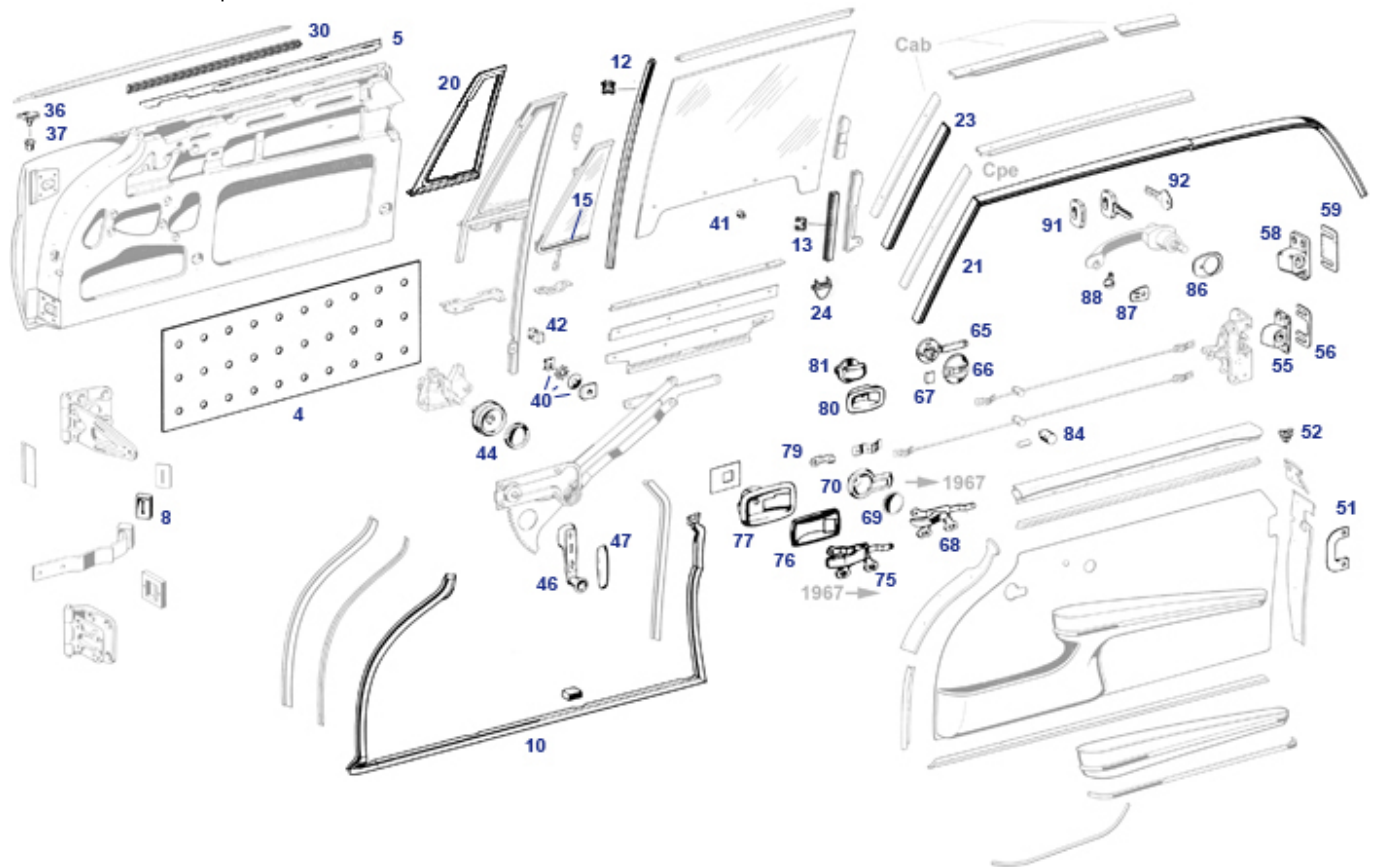
72/75 Weatherstrips W126 (4-door), W201, W124

protection bellows door wiring	580920	4,41 €	Door seal W201 frt LH	572106	71,61 €
Door seal W201 frt RH	572206	71,61 €	Door seal W201 rear RH	573206	78,90 €
Door seal W201 rear LH	573106	78,90 €	Weatherstrip boot lid W201, Repro	575823	43,50 €
Weatherstrip trunk lid W124	575825	26,18 €	Weatherstrip trunk lid W124 late	575826	65,45 €

(4-door) early				
Door seal frt LH W124 (4-door veh)	572107	47,60 €	Door seal frt RH W124 (4-door veh)	572207 47,60 €
Door seal rr LH W124 (4-door veh)	573107	34,51 €	Door seal LH 126 SEC (Coupe)	672102 94,49 €
Door seal RH 126 SEC (Coupe)	672202	94,49 €	seal, taillight W126, fits L or R	682655 88,89 €

72.b Doors W111 Coupe/Convertible

72.b Doors W111 Coupe/Convertible

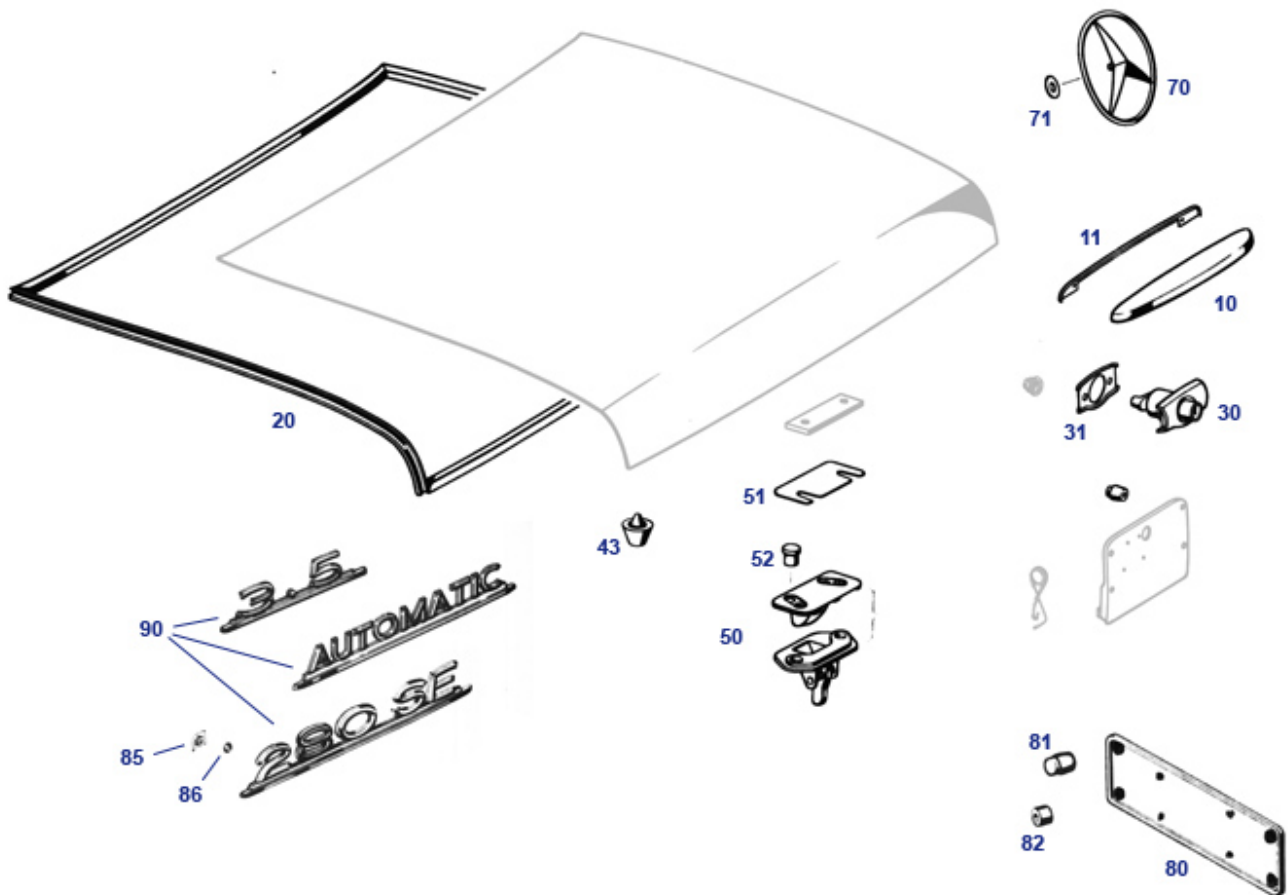


	A1117255132	372123	130,89 €		Door lock,late FN+ catch, RH	272049	236,56 €
	lock mechanism RH, no prot-lock	172048	399,45 €		A1117255132	372122	130,89 €
	--> see 372100	372900	211,34 €		late lock mechanism LH, w. prot-lock	272063	572,25 €
	late lock mechanism RH, no prot-lock	272062	457,70 €		lock mechanism RH, no prot-lock	272051	432,21 €
	lock mechanism LH, w. prot-lock	272050	478,39 €		1m rbr profile, glass framing	367055	14,28 €
	Handle w.knob, ca. 1970-1976	276004	41,50 €		lock mechanism LH, no prot-lock	172049	459,99 €
4	Insulation, adhesive, at door skin inside W111 Cpe/Cab	372168	45,80 €	4	0,75 sqm mat, Teroson BT-SP100 self adhesive	968173	67,20 €
5	Inner upper door strip, metal, W111Cpe/Cab LH	372711	33,32 €	5	Inner upper door strip, metal, W111Cpe/Cab RH	372721	33,32 €
10	Door seal C111-2 coupe/cabriolet right	372200	267,75 €	10	Door seal C111-2 coupe/cabriolet left	372100	267,75 €
13	window slide rail, 2m	372525	49,98 €	20	Triangle. window. gasket. C111/2 left	372130	178,50 €
20	Triangle window gasket C111/2 right	372230	178,50 €	21	main body seal kit W111-2, Cpe, OE-quality	372600	1.191,14 €
21	Side wind. seal W111 coupe Rt.	372211	102,99 €	21	Side wind. seal W111 coupe Lt.	372216	102,99 €
23	Seal W111 Cabrio, left	372210	83,90 €	23	Abdichtgummi W111 Cabrio, right	372215	83,90 €
23	Seal A-pillar Cabriolet 540mm	372550	25,20 €	36	Plug, e.g. upper trim at door W111 Cpe/convertible, Ref.-No.	372082	2,56 €
37	plug, red, see pict	772008	0,45 €	40	Washer Kit for Mounting Window Regulator - 1237200114	272752	10,88 €
41	Rubber sleeve for door glass cover,hand wheel, seats up to 07.'67, others	272075	2,30 €	42	Guide jaw W111C, at window rail	372009	26,99 €
44	Window crank handle 63-70 replacemt	291639	34,45 €	46	Window crank handle 63-70 replacemt	276901	49,50 €
46	Window crank handle 63-70 replacemt	276001	133,64 €	47	Crank Pad 06.63->01.70 black	276090	14,99 €
51	1 pair door catch garnish 113,111Cab/Cp,C107 early	272815	109,00 €	51	Screw, door catch surround M4 x 10	777029	1,90 €
53	Ctr sunk screw @ 272033/044/300/400	272034	1,44 €	55	Door catch Lt. R113 07.61->'67 3-hole	272055	91,45 €
55	Door catch RT. 07.61->'67 3-hole	272022	91,25 €	56	Threaded door catch support	164055	72,91 €

57	Screw, 6x16 e.g. door catch, ..	777021	1,24 €	59	distancer 0,5mm flat , door catch '69->	872012	4,76 €
59	Distancer, 1,5mm, door catch '69->..	572012	4,76 €	65	Locking handle assy. inner door ->'67 R	172194	109,78 €
65	Locking handle assy, inner door ->'67 L	172193	109,78 €	65	Chrome handle for int.locking repair	172195	59,99 €
66	Door lock escutcheon plate	176866	63,76 €	66	Door lock escutcheon plate	176066	78,53 €
67	Chrome cover @ lock-lever	172868	15,10 €	67	Cover tab chromed for 176066	172168	9,98 €
68	Opener handle inner LH ->'67 (230,250FN)	276111	174,76 €	68	Opener handle inner RH ->'67 (230,250FN)	276112	174,76 €
68	Phillips screw, half-round head, M6 x 16	990109	0,34 €	69	Insert opener handle, round style	276855	11,72 €
70	Escutcheon, fits opener handle LH ->'67	276050	129,70 €	70	Escutcheon, opener handle RH ->'67 optical error on the inside	276060	129,70 €
75	Opener handle inner RH '67-> (250FN,280)	276012	289,99 €	75	Opener handle inner LH '67-> (250FN,280)	276011	289,99 €
76	Late right Insert black 250-280SL	276010	19,99 €	77	Opener chrome surr. from 67, orig	276007	27,97 €
78	A1087660390 Insert, late FN, Lt.	276009	19,99 €	79	clips for door actuator link wires	198004	27,04 €
80	Recess, 280SL, 250SL 02980->	276013	162,48 €	84	Rubber rod guide 190SL, R113, 111Cpe/Cab	298705	5,95 €
84	Rubber rod guide 190SL, R113, 111Cpe/Cab	298005	5,55 €	86	Rubber handle-tail, 113:RH / 111:LH	276820	5,68 €
86	Rubber handle-tail, 113:LH / 111:RH	276810	5,68 €	87	Rubber handle-frt, 113:LH / 111:RH	276830	4,97 €
87	Rubber handle-frt, 113:RH / 111:LH	276840	4,97 €	91	Handle, key, fits up to 11.'78 ca	789190	12,05 €

75 Bootlid W111-108

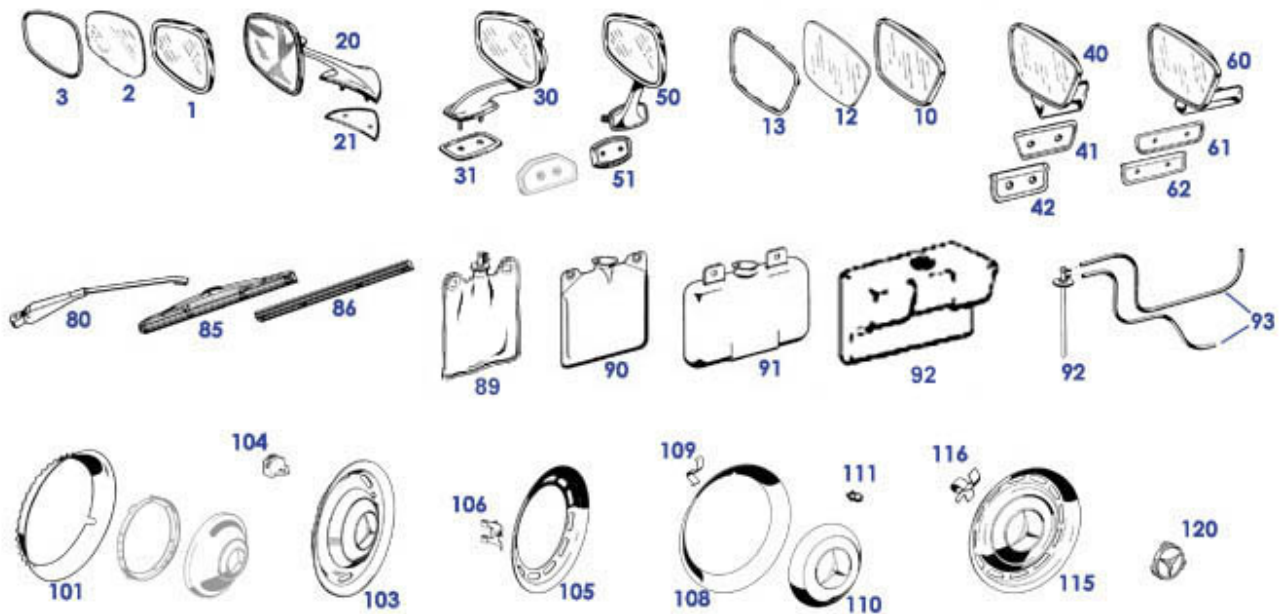
75 Bootlid W111-108



	Rubbergrommet, heat.return Rt. or drain 108boot	799003	13,01 €	10	Handle, chrome, trunk lid	275010	160,00 €
11	Rbr underlay,boot lid handle 113,111,10	275011	7,82 €	20	Boot seal W111 coupe	375021	162,90 €
20	Boot seal, fits 4-door	375022	140,00 €	20	Boot seal W108/109 , reproduction	875822	98,89 €
31	Underlay rubber, trunk lock 111Cpe/Cab	375831	8,84 €	43	Buffer, conical shape, boot lid div.	398043	1,65 €
47	rubber buffer, fuel filler door 108,111,SLC107	398795	2,30 €	51	shim 1mm, catch underlay, height adjustment	375039	8,01 €
71	Rubber washer	175012	1,11 €	80	Licence plate underlay, fr./rear, s-steel polished, fits 520mm	588088	11,90 €
81	rbr buffer, rr lic plate, ... ref 1089870540	898044	7,90 €	85	Clip, 'Automatic'	281024	0,20 €
86	O-Ring blk rubber, eg Type signs	281027	0,13 €	90	Typenschild: 280SEL	881005	94,26 €

81/86 Outer Mirror, Wiperblades, Wheel Trim

81/86 Outer Mirror, Wiperblades, Wheel Trim

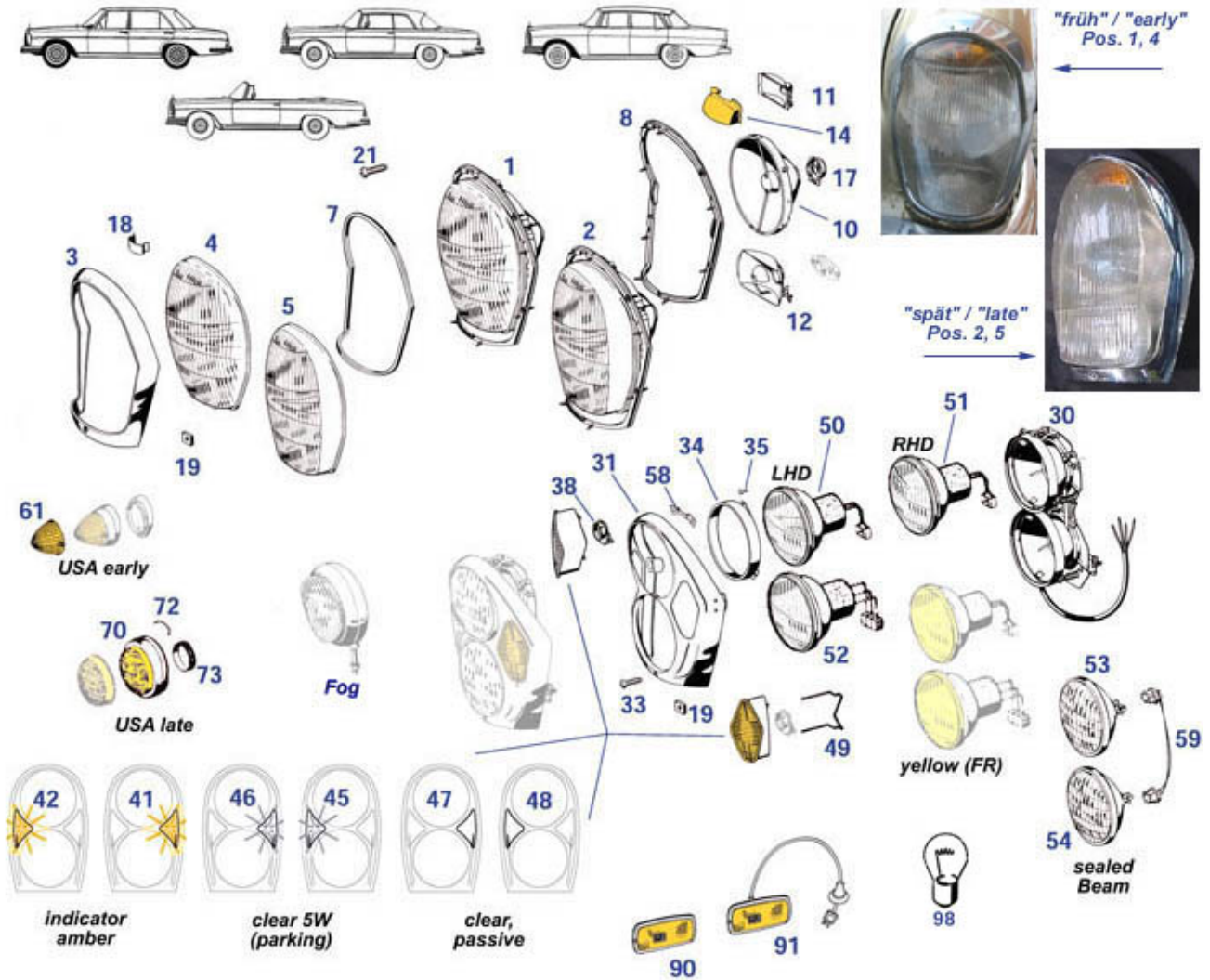


	Mirror head '67->, RH, quality deficits, Repro	281852	32,50 €	sonstiges Wheel lug nut, 190SL, Ponton	199022	2,88 €
	Mirror head '67->, LH, quality deficits, Repro	281851	42,00 €	sonstiges Right sun visor w/o Brackets (late version)	881124	190,00 €
sonstiges	Left sun visor w/o Brackets (late version)	881123	190,00 €	sonstiges Wheel bolt+cap, alloy whl.to 85	740005	3,45 €
	A1158690121 mech pedal washer pump w.sw	586020	431,60 €	sonstiges Wheel bolt, steel wheels MB from 1967	240005	1,59 €
1	Mirror head ->'67, Repro, tinted	181025	43,64 €	1 Mirror head ->'67, Repro, clear	181125	47,10 €
2	Replacement glass, tinted	181026	22,00 €	3 A000810165 Replacement nylon bezel	181027	14,70 €
12	Mirror glass, flat, tinted, fits late m	281061	23,80 €	13 Ring, glass retention, 1967-> (trapez)	281062	16,66 €
20	Outside mirror, sedan, Rt.	481020	88,38 €	20 Outside mirror, sedan, Lt.	481010	88,38 €
21	Seal, outside mirror, Rt.	481021	9,98 €	21 Seal, outside mirror, Lt.	481011	10,40 €
30	Rear view mirror, Lt. early, B-quality	281030	101,45 €	30 Rear view mirror, Rt. early, B-quality	281040	100,90 €
31	Rubber pad mirror ->'67, fits L/R	281035	2,34 €	40 A1088101516 Ot.mirror C111, W108/9 Lt.	881050	160,65 €
40	Outer right .mirror C111, W108/9	881060	125,97 €	41 Mirror underlay "trapezoid" '67-> Ot.mirror 250S,SE+300SE left early	281855	2,56 €
42	Hidden bracket, door mirror late	281056	13,85 €	50 Early outer right mirror W114 + W115 (up to 07.1973)	881030	317,19 €
52	Hidden bracket, door mirror early	281057	12,99 €	60 Underlay ot.mirror C114 early	581040	87,36 €
60	A1158100516 Ot.mirror W114/115 Lt. earl	581030	87,36 €	61		
80	Tool, wiper link shaft greasing	258826	65,45 €	80 Chrom-Überwurfmutter f.Zapfenschlüssel	581036	6,25 €
80	Wiper arm 190SL	182095	106,20 €	80 W/wiper arm W/C114, W115 Rt.	382244	43,44 €
85	Wiper Blade 108-109, 114-115	882730	49,40 €	80 W/wiper arm W/C114, W115 Rt.	582220	119,00 €
85	Wiper blade, single piece, 108-109, 114-115	882230	47,59 €	85 1 pce W'blade,280-500SL, 350/450SLC FN	782230	49,40 €
86	Wiper refill ref. BO 3391014234 114,115,108,109	582233	11,90 €	86 Wiper rubber, 280SL (late)	282234	23,81 €
90	WS washer tank, repro with cap	186810	87,26 €	89 N/A: Washer bag w/o valve	186005	208,00 €
92	Washer bag cap w.valve e.g to 186015, B-Quality	186015	18,86 €	92 A1088690020	886010	149,00 €
101	Wheel trim ring, 13", s.steel, Repro	181130	47,01 €	93 Hose, w/washer, flex.,per metre	186040	1,84 €
108	"Dec. ring,wheel, 15", chr."	440020	105,90 €	101 "Wheel trim ring chromed, 13"	181030	111,18 €
				108 Ornamental ring 14", chromed	240810	65,45 €

108	Wheel rim trim, 14', chromed mild steel	240110	114,76 €	108	"Decorative ring, stainless. 14"	240013	47,01 €
109	Spring clip, fits orig. 14" wheel decoration ring	240020	2,88 €	116	spring clip for wheel cover 14" 1968->	240041	3,13 €

82 Headlamp S/SE/SEb/SE C

82 Headlamp S/SE/SEb/SE C

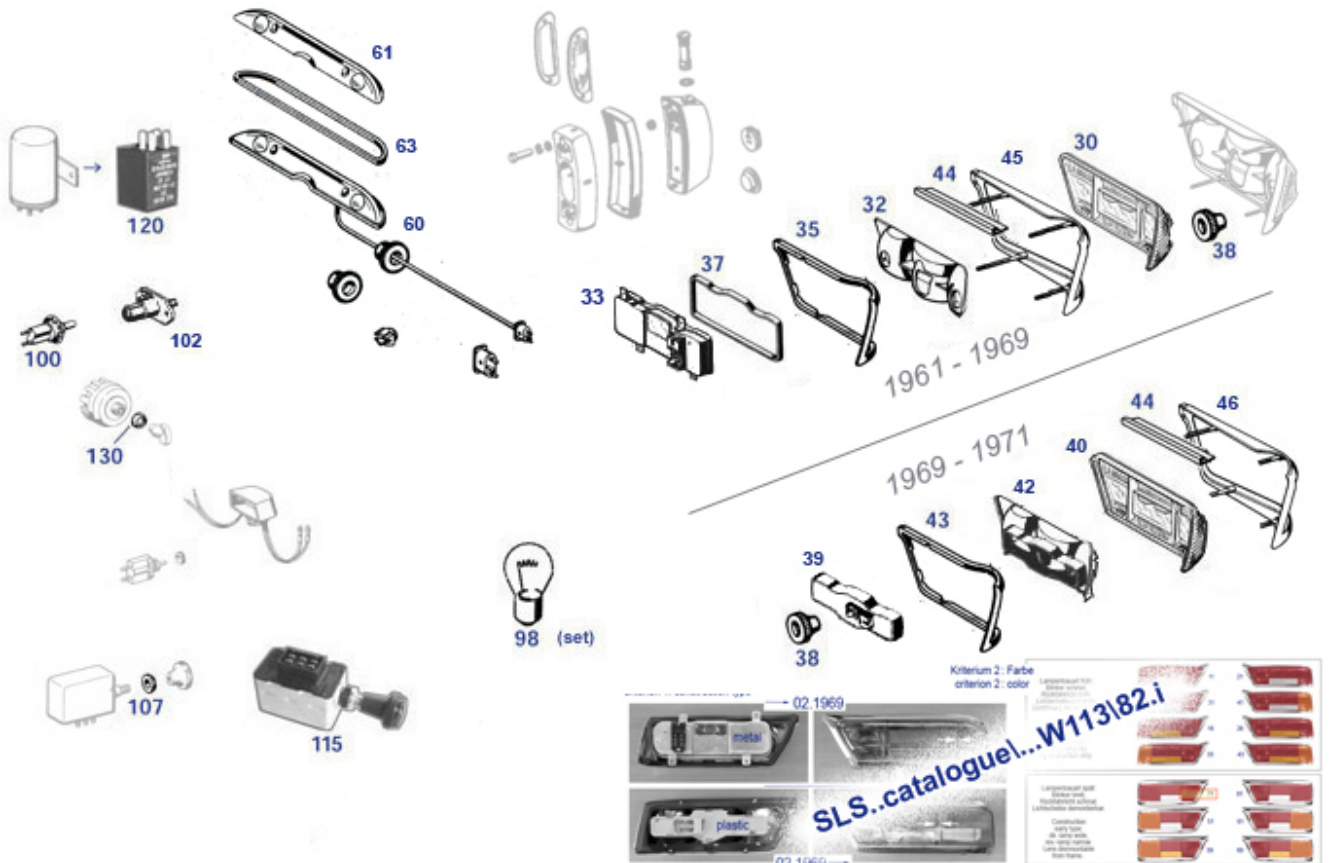


	LED P43t, lamps replacing H4	799191	139,99 €	more	el connector 2 pole, male, e.g. licence lamp 111,108	354183	12,00 €
	Euro H4 lamp insert, LHD, w.parking lamp option	782747	36,50 €	FOG	1 pair aux lamp accessory chrome round H3 unit	382328	319,99 €
	Foam shim, wiper motor to firewall W111	382248	10,95 €		Milled plastic nut, rr lamp 108/111	382855	3,34 €
more	rubber, licence light @ bumper 111,108	382053	9,00 €	10	Reflector fits dropshape headlamp	382071	172,55 €
31	Dec.chrome surround for double light unit	882811	267,04 €	35	Hex. socket head cap screw, low head, zinc plated M4X6	882013	0,69 €
35	plastic washer PA 3,2	882015	0,15 €	41	Amber light insert, LH., late, repro	882721	126,28 €
42	Amber light insert, RH., late, repro	882722	126,28 €	45	Parking light insert, LH., late, repro	882723	126,28 €
46	Parking light insert, RH., late, repro	882724	126,28 €	47	Insert for lamp bezel, LH. clear, with no lamp support	382725	110,50 €
48	Insert for lamp bezel, RH. clear, with no lamp support	382726	110,50 €	98	Bulb 12V / 21W direction indicator	299085	1,25 €
98	light bulb 12V/2W, BA9s, eg. Instruments	254033	2,20 €	98	Bulb, e.g. trunk light	282033	2,50 €
98	Light bulb 12V/2W, BA7s	299079	1,99 €	98	Bulb, 55W Halogen H3, fog light	299091	4,52 €
98	Bulb, 40/45W, Bilux	299092	3,99 €	98	Halogen bulb H4 55/60 watts (P43t)	799090	3,78 €
98	Glühlampe 12V 10W	799089	0,77 €	98	Bulb 12V/0,5W, see picture	799083	1,52 €
98	Bulb 12V / 3W, torpedo, total length 30	226102	2,53 €	98	Bulb 12V/18W direction indicator	299087	3,33 €
98	Bulb, 55W H1, e.g. 113 if Halogen equipped	299090	5,95 €	98	Bulb, parking light, 12V/4W, BA9S	299099	1,39 €
98	Bulb 12V / 5W, torpedo, total length	299098	1,54 €	98	Bulb 1.2W, glass socket, switch-	299097	1,79 €

	38						
98	Bulb, passenger compt. 3W, NoName	299096	1,79 €	98	knob, cockpit Bulb 12V / 10W, torpedo, total length 44	299094	1,44 €
98	Bulb, 35W, Fog light	299093	8,32 €	98	Bulb, 5/21W (2 filament)	199090	1,49 €

82.c Tail Lights W111-2-door (Cab/Cpe)

82.c Tail Lights W111-2-door (Cab/Cpe)

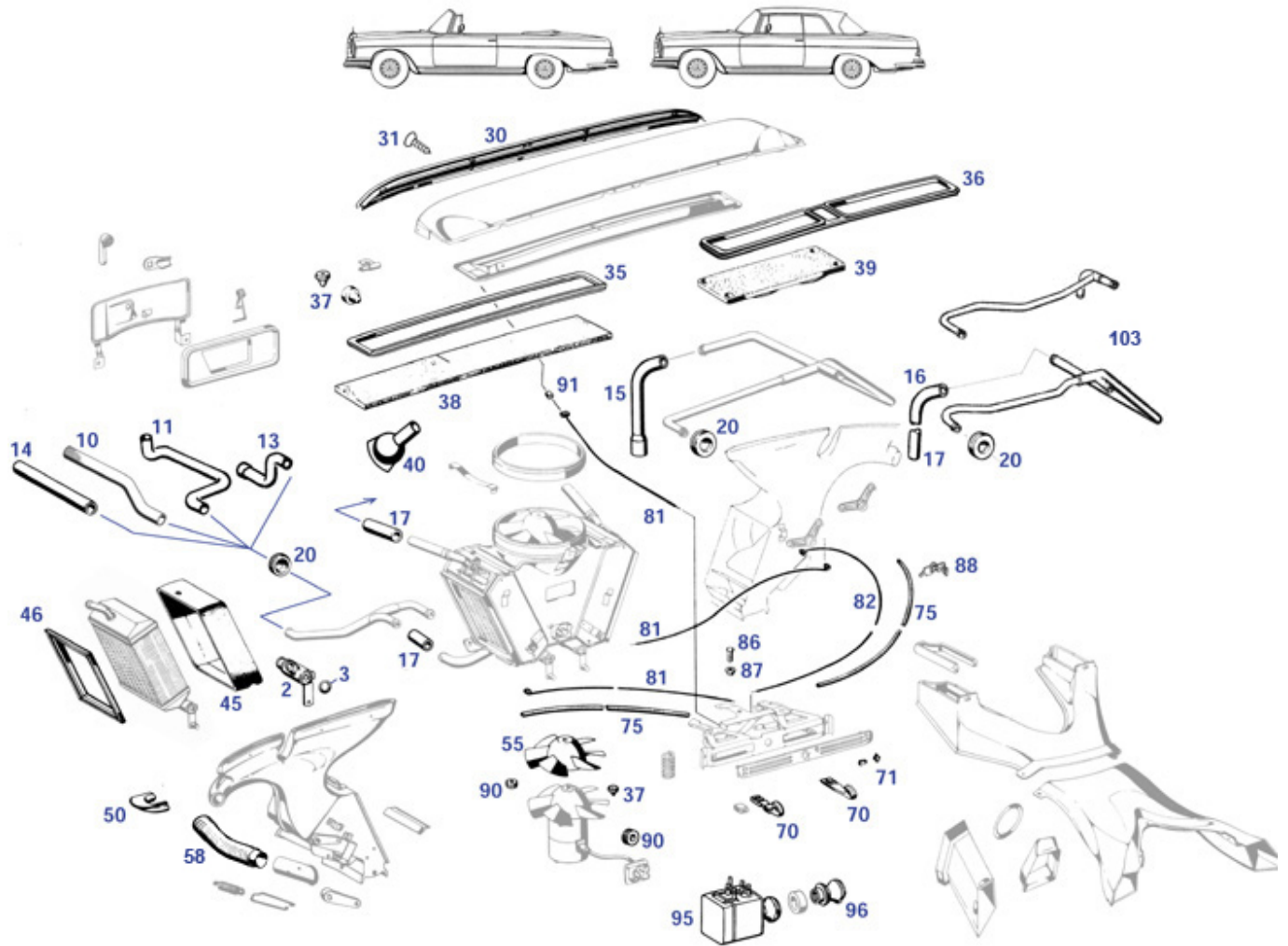


	Knob, A/C-vent, green dot	382027	52,30 €		clip, e.g. wire fixture 190SL, R113, 254874	1,50 €
	Clip, see picture, Pls follow recommendation 254874	254774	0,60 €		Knob,small,heater blower switch, 382825	61,90 €
	Spring clip for Rt.+Lt. cable	254071	0,83 €		see picture	
					See new article number 254874 254074	1,49 €
					A0009883378, Clip	
30	Lens w.o. frame, red/red, Rt.	282121	143,99 €	30	Taillight lens early RH rd/ye/ye (FR) 282143	143,99 €
30	Right Tail Lamp Lens w/o. frame, red/yellow	282141	143,99 €	30	Taillight lens early LH rd/ye/ye (FR) 282133	143,99 €
30	Left Tail Lamp Lens w/o. frame, red/yellow	282131	143,99 €	30	Tail Lamp Lens - Left	282111 143,99 €
32	Reflector RH, taillight "early style"	282108	81,00 €	32	Reflector LH, taillight "early style"	282109 81,00 €
33	Lampholder '63 - '69 right side	282114	155,99 €	33	Lampholder '63-'69 left side	282115 155,99 €
35	Seal, taillight LH, 220SEb/C	382817	99,90 €	35	Seal, taillight 220SEb/C RH	382818 99,90 €
35	Seal, taillight LH, 220SEb/C	382117	45,99 €	35	Seal, taillight 220SEb/C RH	382118 45,99 €
37	seal f.lampholder ->'69	282119	4,74 €	38	Milled plastic nut, rr lamp 108/111	382855 3,34 €
38	Milled M5 nut, plastic, white	282655	7,04 €	40	Lens rear light LH. 69-> red-yellow	282151 189,39 €
40	Lens rear light RH. 69-> red-yellow	282161	189,39 €	42	Mirror fits RH taillight "late style"	282168 133,99 €
42	Mirror, fits LH taillight "late style"	282158	133,99 €	43	seal taillight left	382217 59,50 €
43	seal taillight right	382218	59,50 €	44	Rubber profile,1m rear lights, R113	282157 8,22 €
46	Chrome bezel tail lamp	382152	254,90 €	46	Chrome bezel tail lamp	382162 254,90 €
	111cpe/conv LH late repro				111cpe/conv RH late repro	
60	Lic plate light 111	382005	499,00 €	61	Chrome cover, lic plate light 108-111	382006 398,35 €
63	rubber, licence light @ bumper 111,108	382053	9,00 €	64	Grommet, 5/25,bulkhead	299012 2,09 €
66	holder plug, lic plate lamp wiring 111-108	398822	13,15 €	98	Bulb 12V 15W BA15S, halo modernized	399083 3,69 €
100	Rubbershim @ door switch	182121	12,50 €	100	Switch, flat connectors	282031 10,21 €
100	Door switch round pin connectors	282721	82,26 €	100	A0008210252 Door switch, version flat poles	182021 28,98 €
100	Door switch, Reproduction	182821	26,00 €	102	Bulb, e.g. trunk light	282033 2,50 €
102	Trunk(boot) light and switch '59-'85	282022	40,58 €	106	Rest: el. connector (fem) 6-pole, kit,	254984 27,67 €

106	Relay, flasher, retrofit., plastic knob, 982034 Bosch	155,00 €	106	OE-qual pigtail harness fits emergency switch 982034	982035	52,00 €
106	Upgr. hazzard flasher Hella with wiring	982834 184,45 €	107	Escutcheon, emerg. flasher switch	282035	10,28 €
120	Flasher relay, see pict, pin position changed	254060 85,66 €	120	Turn signal transmitter (metal), Bosch	182001	98,18 €
120	crimp connector	997992 0,43 €	120	Turn signal transmitter	254760	95,00 €
120	universal flasher relay 12V 4x21W Bosch, flat pole	582070 52,40 €	120	Housing, fits up to 5 crimp-shoes	554070	2,99 €
121	A0015450211 Contact switch, glovebox	254101 402,03 €	130	Nut, chrome, light switch	254043	11,63 €
150	Rubber seal lic light lens early	182051 10,39 €	199	Bulb 12V / 10W, torpedo, total length 44	299094	1,44 €

83 Heater System W111 Coupe/Cabriolet

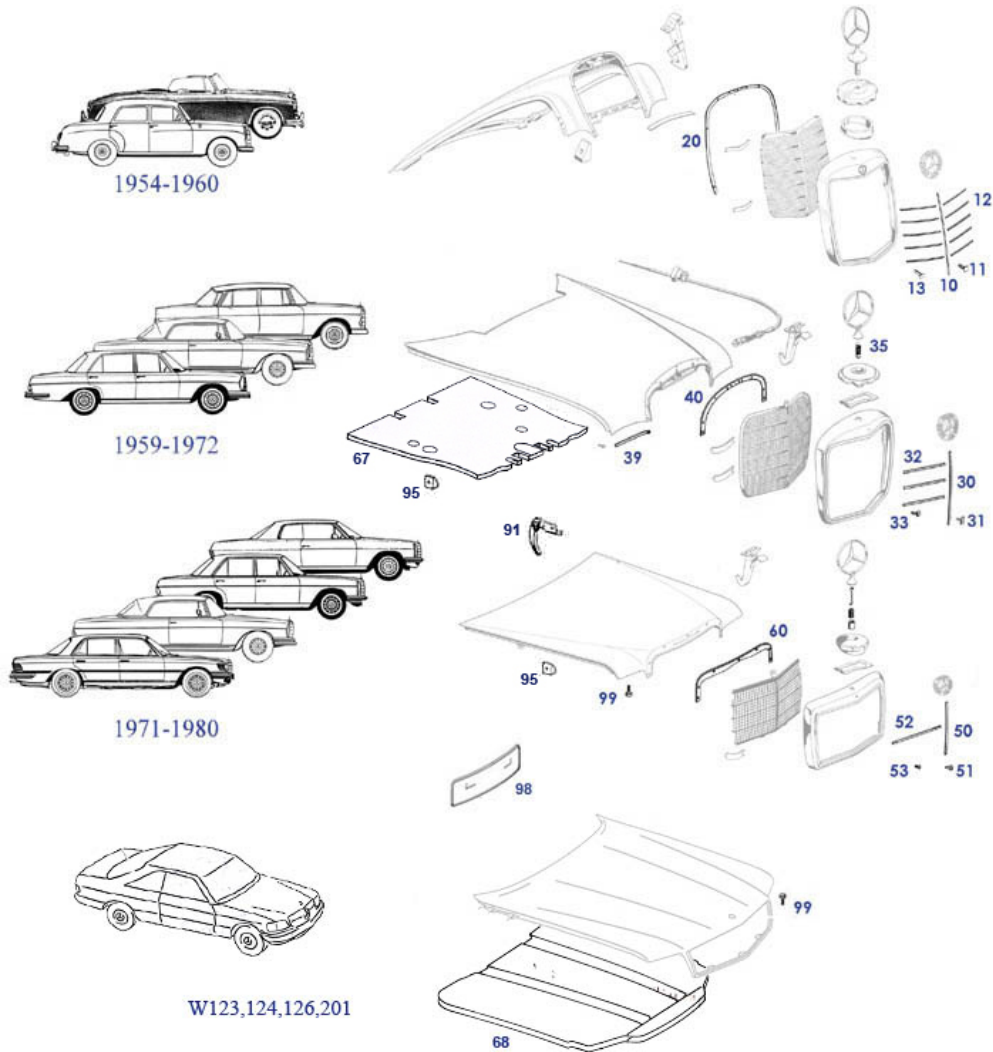
83 Heater System W111 Coupe/Cabriolet



	Set 2pcs heater tubes, Pontoon-6-Cyl., 220a/S/SE, 219	483800	275,00 €	others	replacement: fan motor, without blade	883809	95,56 €
others	see 483100 identical product	483100	398,30 €	3	Sealing ring, heater valve	283022	2,31 €
15	Heater return hose, S-shape w.reducer	250806	13,01 €	16	CL hose, bent, no reducer, heater retur	250829	26,03 €
17	1m water hose 15 x 24mm	350016	19,99 €	17	Water hose, i/D 18mm per metre	250019	19,10 €
20	Rubber grommet	299005	2,59 €	20	Rubber grommet, return	299004	0,50 €
31	Screw, grille/bodywork	283021	1,90 €	35	Seal, heater duct, W111 cpe/cab	383110	79,49 €
36	Gasket, air duct flap W110/112-4-door	383112	58,25 €	37	Rubber buffer 5mm,121,113,10	298066	0,89 €
40	Ball Grommet for Bulkhead Drainage Pipes	283032	25,75 €	50	A1108310020 Mounting,defroster nozzle	283037	4,99 €
58	1m heater vent hose ID 32	383036	136,26 €	70	Heater control lever, chrome	183401	80,55 €
70	Heater lever, plastic, e.g. W111 Cpe/Cab	383802	10,00 €	71	Blue insert for escutcheons	183303	3,95 €
71	Red insert for escutcheons	183302	3,99 €	75	1m cable coil, outer	183072	2,90 €
87	Bushing, cable fixing	107029	3,45 €	88	Clip, bowden cable	775158	3,57 €
88	Handle, fresh air vent	883819	29,14 €	90	Grommet, 4,5/10mm, cable@wheelarch	182005	2,53 €
90	A0009976181 Rubbergrommet 7/10mm, blowe	398787	4,11 €	95	Switch, heater blower 4-Pin=3-Pole, reproduction	282024	334,99 €
97	A1108201592 Knob, heater blower switch	282026	59,99 €	97	Knob, heater blower switch, Repro, optical shortcomings	282826	68,29 €
97	Knob small, heater blower switch, see picture	382826	61,90 €	97	Knob,small,heater blower switch, see picture	382825	61,90 €
103	Return pipe, heater 111 2.8	383104	178,55 €	103	Return pipe, heater 111 2.2	383103	179,62 €
103	Pipe, 116.984 heater return	783384	100,63 €	103	Return pipe, heater 111 3.5	383105	166,60 €

88 Front Grille Trim

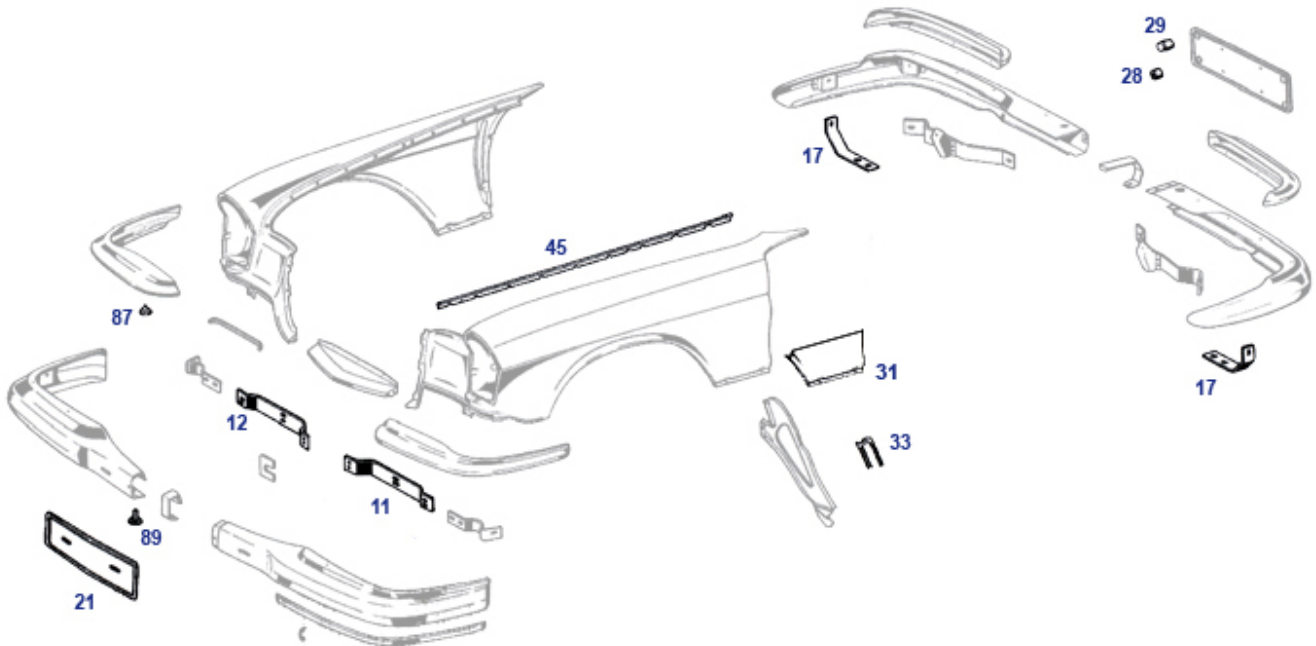
88 Front Grille Trim



	centre cover panel betw. frt wings below grille C111	388193	71,40 €		opener cable, bonnet, repro to A1088800159	888004	89,25 €
	Rep paddle, hook release, bonnet 123	588041	4,99 €		Ground strap, bonnet 107, 111, 108	754888	29,37 €
10	Trim set for grille mesh, "compilation 180"	488845	148,75 €	30	Trim set for grille mesh, "compilation 108"	888845	167,79 €
30	Decoration strip, vertical, fits "high-grille / narrow mesh"	388250	44,99 €	30	Trim set for grille mesh, "compilation 110"	388845	167,79 €
32	Dec. strip, horizontal, gri	888240	19,75 €	33	Rubber buffer, e.g. grille to wing	898201	2,59 €
35	Spring, for star on rad. grille	388007	4,17 €	39	small special bolt. e.g. trim at bonnet 110/111 FN	488258	18,39 €
40	Washer, e.g. screws @ mesh	299045	0,21 €	40	Bonnet catch, long neck	388002	408,88 €
40	A1118885098 Underlay, rbr., rad. grille	388215	38,73 €	40	Blechmutter, 111-Grill an Haube	388219	0,36 €
51	Clip, rad. dec. strip	588254	0,60 €	60	Bonnet catch, short neck, steel	588012	399,92 €
67	A1096820526	868085	150,00 €	91	handle, opener, bonnet	288015	17,79 €
95	Buffer, bonnet @ fender slot	788601	1,96 €	98	Licence plate underlay, fr./rear, s-steel polished, fits 520mm	588088	11,90 €
98	1 pair of brackets for the front licence plate W114/115/116/123	588887	18,40 €	98	License plate, 52,50cm chromed	188090	138,61 €
99	Hex Nut M6 flat shaped	299291	0,37 €	99	Buffer, bonnets, ..	298201	3,45 €
105	Clips-Nut e.g. wings frt 108/111-4-door	898170	0,83 €	105	Bonnet sound insulation mat W111	368085	189,20 €

88.c Body attachments W111 late style

88.c Body attachments W111 late style



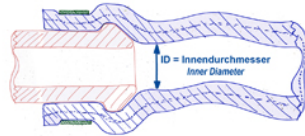
	centre cover panel betw. frt wings below grille C111	388193	71,40 €		Rep.-panel frt wing RH, rear section, W108+9	888023	53,55 €
	Rep.-panel frt wing LH, rear section, W108+9	888013	53,55 €		opener cable, bonnet, repro to A1088800159	888004	89,25 €
11	Bumper bracket late Cpe frt inner LH	388150	63,72 €	12	Bumper bracket late Cpe frt inner RH	388160	63,72 €
17	Bumper bracket L or R, outer	388126	93,89 €	21	License plate, 52,50cm chromed	188090	138,61 €
29	rubr buffer, rr lic plate, ... ref 1089870540	898044	7,90 €	33	Panelling screw 5,5 x 16 (hex head 8mm)	288059	0,60 €
45	pan head tapping screw zinc plated 3,9 X 13	188889	0,25 €	45	Multi-Purpose Adhesive Insulation Seal	298001	9,40 €
45	Rubber buffer, e.g. grille to wing	898201	2,59 €	87	Distancer shim, between lower+upper bumpers	388209	6,84 €
89	Join plate screw M8 e.g. bumper joints	288105	1,20 €	89	dummy pin, chrome plated 12mm head	988105	2,31 €

91 Seat komponents fitting 110 up to 116

Leaf spring for rear run	191012	36,71 €	Cap, ca. 08.'65 -> , 110-113	291836	49,99 €
Foam backrest cushion insert W111	391873	160,65 €	Headrest foam insert w/o Attachments	291748	58,31 €
Sunk washer at seat hinge, stainless steel	191716	18,56 €	Gummihaarauflage Rückenl.re.Cab.	391180	124,95 €
Gummihaarauflage Rückenl.li.Cab.	391170	124,95 €	Gummihaaraufl.Sitzfl.vo.li/re zB111.023	391150	121,38 €
oval eye, headrest rods	291843	2,90 €	Headrest foam insert w/o Attachments	291648	72,59 €
Chrome sunk washer at seat hinge	191016	20,88 €	cover,hand wheel, seats up to 07.'67, others	291639	34,45 €
230SL from VIN ... 012467	291636	76,79 €	Knob, ivory @ R113 seat adjuster	291243	23,80 €
Metal ring at seat (one side taper sunk)	191055	9,06 €	Knob for seat adjuster	191030	22,87 €
Seat catch Lt.	191019	36,90 €	Seat catch Rt.	191018	36,88 €

97 flexible hoses, by meter, assorted by inner diameter

97 flexible hoses, by meter, assorted by inner diameter



bitte für Artikelfotos /-Details auf die 6-Stellige Ziffer klicken
for details please click the 6-digits number

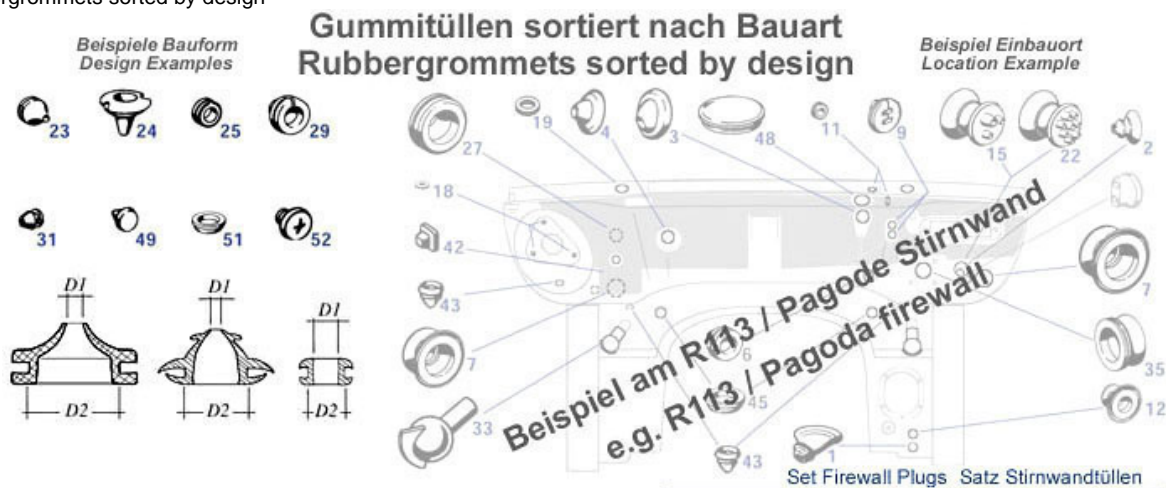
Innendurchmesser Inner Diameter mm ca.	Normal-Einsatz usual purpose	Nummer Number	Innendurchmesser Inner Diameter mm ca.	Normal-Einsatz usual purpose	Nummer Number
2	Vakuum Vacuum	215027	4	Benzin Fuel	247046
3	Vakuum Vacuum	780985	5,5	Benzin Fuel	247047
3,5	Vakuum Vacuum	715027	7,5	Benzin Fuel	247007
3,7	Washwasser Wash-Wipe	786040	7,5	Benzin Fuel	247807
4	Benzin Fuel	247046	7,5	Benzin Fuel	947046
4,7	Washwasser Wash-Wipe	186040	9	Benzin Fuel	947047
5,5	Benzin Fuel	247047	11	Benzin Fuel	247005
6,35	Schutz Protection	272875	12	Benzin Fuel	747027
7,5	Benzin Fuel	247007	14	Benzin Fuel	747029
7,5	Benzin Fuel	247807	9,5	Hydraulik Öl Oil (hydraulic)	999020
7,5	Benzin Fuel	947046	12	Hydraulik Öl Oil (hydraulic)	799020
7,5	Vakuum Vacuum	707028	15	Hydraulik Öl Oil (hydraulic)	299020
8	Kühlwasser Cooling Water	250016	8	Kühlwasser Cooling Water	250016
9	Benzin Fuel	947047	12	Kühlwasser Cooling Water	250023
9,5	Hydraulik Öl Oil (hydraulic)	999020	15	Kühlwasser Cooling Water	350016
10	Vakuum Vacuum	943028	16	Kühlwasser Cooling Water	150019
11	Benzin Fuel	247005	18	Kühlwasser Cooling Water	250019
12	Benzin Fuel	747027	22	Kühlwasser Cooling Water	250107
12	Hydraulik Öl Oil (hydraulic)	799020	32	Kühlwasser Cooling Water	150104
12	Kühlwasser Cooling Water	250023	32	Kühlwasser Cooling Water	150804
13	Wasser Water	778845	38	Kühlwasser Cooling Water	150105
14	Benzin Fuel	747029	38	Kühlwasser Cooling Water	150805
15	Hydraulik Öl Oil (hydraulic)	299020	6,35	Schutz Protection	272875
15	Kühlwasser Cooling Water	350016	2	Vakuum Vacuum	215027
16	Kühlwasser Cooling Water	150019	3	Vakuum Vacuum	780985
18	Kühlwasser Cooling Water	250019	3,5	Vakuum Vacuum	715027
22	Kühlwasser Cooling Water	250107	7,5	Vakuum Vacuum	707028
32	Kühlwasser Cooling Water	150104	10	Vakuum Vacuum	943028
32	Kühlwasser Cooling Water	150804	3,7	Washwasser Wash-Wipe	786040
38	Kühlwasser Cooling Water	150105	4,7	Washwasser Wash-Wipe	186040
38	Kühlwasser Cooling Water	150805	13	Wasser Water	778845

mtrclamp 1m metal strip, 9mm clamp	109030	4,00 €	mtrclamp 1m metal strip, 9mm clamp	109830	3,09 €
Irgclamp Hose clamp 23-31mm, worm thread style	750042	1,65 €	Irgclamp Hose clamp 46-54mm	750346	1,94 €
mtrclamp product replaced: Lock / winding clip for 9mm strap	109035	2,09 €	smclamp clamp, replaced by 747997	950013	0,60 €
smclamp spring clamp 22mm	997995	2,32 €	smclamp Clips, wire @ body	998181	0,90 €
smclamp clamp, fits e.g. 747004	999896	2,25 €	hose clamp for diam. 11mm, stainless steel	999897	2,38 €
smclamp Hose clamp 18-27, worm thread style	999898	4,07 €	Irgclamp Clamp e.g. Water reservoir late	999996	4,64 €
smclamp Hose clamp 15mm	947997	3,09 €	mtrclamp Lock / winding clip for 9mm strap	109835	2,84 €
smclamp Spring clamp fits 15mm Hose	747996	1,79 €	smclamp Hose clamp 24-32, worm thread style	999889	1,51 €
Hose V8 late, waterpump->intake, D42/L58	750605	5,80 €	1 m water hose i-D 42mm	750705	36,16 €
Spring band hose clamp 8.4 - 9.0	786044	0,65 €	Double-wire hose clamp 7.8 - 8.3	186044	0,38 €
smclamp hose clamp 17mm	747993	1,32 €	smclamp hose clamp 10-16, worm thread style	999888	1,84 €
smclamp hose clamp 12mm	747992	1,32 €	smclamp hose clamp, stainless steel, for 20mm	997898	12,79 €
1m washer hose ID4mm	986040	1,34 €	hose clamp 10mm	747999	2,33 €
smclamp Hose clamp 13mm	747997	1,99 €	smclamp spring clamp 14mm	747990	1,57 €
Irgclamp Clamp, air hose	209004	2,77 €	Irgclamp Clamp,insulation->intake ->'69	214004	6,99 €
Irgclamp Clamp,insulation->intake,'70->	214024	4,90 €	Clamp spring steel 21mm	709399	1,45 €
Tube clamp	142055	105,55 €	Irgclamp Hose Clamp 80-100mm, fits air hose	709204	2,00 €

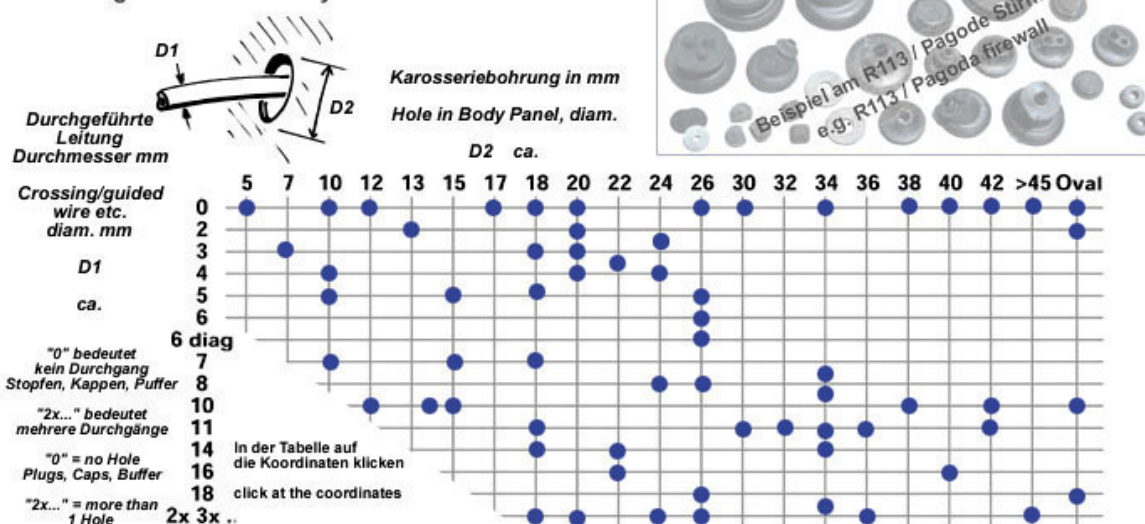
	Fuel hose line, filter to feed-line	747028	21,07 €	Irgclamp	Hoseclamp 31 to 44mm	250046	2,00 €
smclamp	Hoseclamp 15mm to 21mm, worm thread style	250042	2,99 €	150019	1m Water hose I/D 16mm	150019	15,17 €
150104	1m waterhose 32x44mm	150104	15,35 €	150105	1m waterhose I.D. 38 mm	150105	34,51 €
150804	1m waterhose 32x44mm	150804	29,64 €	150805	1m waterhose 38x46mm	150805	28,92 €
186040	Hose, w'washer, flex.,per metre	186040	1,84 €	215027	Vacuum pipe, 2/4mm,per mtr	215027	1,82 €
247005	1m Fuel hose tank->pump 11/17mm, fabric	247005	10,41 €	247007	1m. Fuel hose 7,5x13,0 flat surface	247007	8,50 €
247046	1 m Fuel hose, 4 x 10	247046	4,76 €	247047	1m Fuel hose 5,5mm e.g. 107-fuel vent.	247847	8,98 €
247807	1m fuel hose 7,5x12,5 fabric surface	247807	7,13 €	250016	Water hose, 8/15mm per metre	250016	24,50 €
250019	Water hose, i/D 18mm per metre	250019	19,10 €	250023	1m cooling water hose 12/19mm	250823	7,14 €
299020	1m oil hose pws-return line, i.d.15mm	299020	28,75 €	350016	1m water hose 15 x 24mm	350016	19,99 €
715027	Pipe, vacuum, per mtr.	715027	5,12 €	747027	Fuel hose 13 x 20mm, plain mantle	747027	27,19 €
747029	1m Fuel Hose 14/22mm	747029	37,28 €	778845	Water drain hose, sliding roof, div.	778845	17,73 €
780985	1 mtr vacuum hose	780985	3,39 €	786040	Hose, w'washer, rein.,per metre	786040	2,50 €
799020	1m PWS oil return hose, 12/18,5mm, from ca. 8.74	799020	34,50 €	943028	1m rubber hose ID 10mm, 5mm wall	943028	32,78 €
947046	1m fuel hose ID 7,5mm, surface(outer) fabric	947046	4,99 €	947047	1m fuel hose ID 9mm, surface(outer) even, 3-layer	747046	12,55 €
947047	1m fuel hose ID 9mm, surface(outer) fabric	947047	6,99 €	999020	1m power steering return hose	999020	14,99 €

98.a Rubbergrommets sorted by design

98 Rubbergrommets sorted by design



Gummitüllen sortiert nach Größe Rubbergrommets sorted by measures



d18mult	Two hole grommet,heater & choke cables	130005	3,05 €	diam45	Grommet, large, firewall 107	798759	15,90 €
d18d3	Grommet 4/18mm, 1 hole	798778	2,89 €	diam40	Grommet, acc linkage->firewall, Repro	798775	4,25 €
d26d18	Rubber grommet 22/26mm, ign leads, ...	798774	2,89 €	d10d5	Tube grommet, pump to reservoir	798771	1,01 €
oval	rubber plug, oval shape, fits holes ca 38x18	798770	1,75 €	diam40	rubber grommet	798769	0,71 €
d42d11	Grommet, angled, 18/25mm oval	798765	9,97 €	dia26	Rubber plug, 22mm	798763	7,82 €
	116 997 3481 Rubber grommet	798760	2,38 €	d45mult	Grommet 17/53mm, multihole	798757	5,80 €
ov10	Grommet, for wiring at heated rear window	798782	3,34 €	d34d14	Rubber grommet 13/34mm, diagonal	798752	2,55 €
diam12	Rubber plug 12mm	798746	1,44 €	diam40	Sealing disc, rubber 40,5 mm	798184	1,13 €
diam34	Sealing disc, rbr. 34mm	798154	1,65 €	oval	Rubber plug, oval 45 x 28mm	598782	2,24 €
	Flex.drive shaft,speedom 220S/SE Ponton	454010	59,50 €	d22d4	Rubbergrommet 3,5/22mm, fuel vent rear	399028	5,63 €
diam20	Rubber, locking washer 20mm	399016	1,31 €	d20d4	Grommet 4/20mm, 1 hole, drain	399009	1,71 €
d10d4	Grommet, 4,5/10mm, cable@wheelarch	182005	2,53 €	diam10	Rbr plug 10mm	798781	1,17 €
d13d2	Grommet 2/13mm, 1 hole	798784	2,89 €	d10d7	A0009976181 Rubbergrommet 7/10mm, blowe	398787	4,11 €
d32	Floor/Body Panel Plug - 32,5mm grommet, drain hose @ trunk sunroof	998782 878099	4,25 € 30,03 €	diam10	plug, plastic, closes 9.5mm holes rbr plug 32mm, rear wheel arch	298688 R7098787	0,42 € 2,50 €
	del-t: Rubber grommet e.g. roof hydr lining	999010	3,21 €		del-t: Floor/Body Panel Plug - 13,5mm	998784	1,27 €

98.b frequently required screws for equipment

98.b frequently required screws



Häufig gefragte Ausrüstungs-Schrauben - Frequently required screws for equipment

Ist Ihr gesuchtes Teil nicht dabei?
Mailen Sie uns ganz einfach ein Foto der Schraube
und ein Foto mit der Einbau-Umgebung

Can't find the required item?
Just send a photo of the screw and
a photo of the surrounding area

hex. socket pipe plug with taper fine pitch thread	101005	1,90 €	Blechschrabe verzinkt	983821	0,17 €
N000000000460 Rest: Panelling screw 4,8 x 14	999933	1,19 €	BlechSen Senkschraube LiKo VA, 4,2 x 16 kLinse	999932	0,56 €
BlechSen Linsensenkschraube 2,9 x 19 kLinse	999931	0,24 €	rest: panelling screw N9140310052	999899	2,88 €
teethed washer 4,3mm	999037	0,13 €	Panhead screw, hexalobular socket M6 X 16	998999	0,48 €
Nut, square, M8, e.g. drive shaft hanger	990998	0,96 €	MaschSe Bolt slot head M5 x 16 A4, e.g.Lic- nkKreuz	988999	0,83 €
BlechSen tapping screw zinc plated 3,9 X 13 kLinse	988871	0,12 €	PA washer M4 x 9	982359	0,12 €
BlechSen Screw countersunk, 3,9 x 22 kLinse	999994	2,28 €	Screw, e.g. lic-lamp	982358	0,20 €
Hex-nut M2,5	980887	0,64 €	MaschSe Bolt M6 x 14, Phillips nkKreuz	977021	0,36 €
milled nut M4, as illustrated	954197	1,02 €	hex. flange bolt M8 X 60 @ Y-tube	949048	0,81 €
Schraube M12x90, ersetzt 122037	922037	3,61 €	Hex nut M10 metric, flat style	915058	1,90 €
Hex bolt M8 x 30	915057	1,14 €	Hex. socket head cap screw, low head, zinc plated M4X6	882013	0,69 €
Selbstsichernde Mutter M6	999991	0,32 €	Self tapping screw, zinc plated	999981	0,24 €
Schraube M10x20 feuerverz.	799949	1,75 €	Bolt M6 valve covers 350/450	701359	0,82 €
BlechSen Chrome screw, handle at wood kLinse	177018	4,11 €	cheese head screw zinc plated M8 X 20	188886	0,69 €
Washer 7,4, zinc plated	199141	0,17 €	Grub screw, locking is missing	270822	0,96 €
MaschSe M6 x16 bolt, counter sunk head nkKreuz	277267	7,46 €	MaschSe M6 x12 bolt, counter sunk head nkKreuz	277266	7,46 €
DIN91, chromed			spring bushing, e.g. intake seal fixture	714359	0,69 €
Seal ring 14mm copper	207886	1,08 €	In hex cyl bolt 12.9, M10x50	705103	1,82 €
MaschSe M5 chrome bolt PH, e.g. licence nkKreuz	988998	2,20 €	plates		
raised countersunk head self-tapping screw 2,9 X 9,5	999983	0,32 €	cylindrical bolt 8 x 12, cam stands, crank frt	299917	0,69 €

BleChSec Screw 4,8 x 10 Hex 8 hskant	799844	0,63 €	hex nut M14 X 1,5	733032	1,44 €
serrated lock washer, internal teeth, zinc plated 17mm	186049	1,00 €	Nut, M16 x 1.5 , foot pump to bracket	186048	1,69 €
MaschSe Chromed countersunk screw M10 x nkKreuz 25 DIN 91	191022	10,46 €	MaschSe Chromed countersunk screw M10 x nkKreuz 20 DIN 91	191021	10,46 €
Split pin 3x36	133059	0,18 €	Bolt M8 x 45	149069	1,14 €
MaschSe Screw M5 X 12 nkKreuz	299288	0,50 €	sunk_shi Counter sunk shim fits screws up to m 3mm	872990	0,60 €
Bolt M8 x 16 zinced	799947	1,02 €	hex. head screw zinc plated M10 X 22	188884	0,69 €
Bolt M5	769859	0,70 €	Washer M8 x 24 zinced	799095	0,70 €
Washer eg wing to A-pillar	798148	0,33 €	Screw 3,9 x 19 e.g. Bonnet-rubber	788609	0,32 €
BleChLins Screw, e.g. Headlamp to Wing eFlach	788081	0,88 €	Nut, wiper arm to gear	782242	0,64 €
Cotter pin 1,6 x 16	780888	0,12 €	Screw, door catch surround M4 x 10	777029	1,90 €
MaschSe Screw, 6x16 e.g. door catch, .. nkKreuz	777021	1,24 €	Screw, M4 Phillips, e.g boot handle	775899	0,19 €
BleChSen screw countersunk PH 2,9x13 kLinse stainless	769179	0,24 €	Bolt M5 x 40 eg. FP-support	799847	0,56 €
M5 riveted nut eg lic-plate	764099	0,64 €	Bolt M8 V8 early cross pipe frt exhaust	749348	0,64 €
Locking shim, M8 bolts	746299	0,38 €	Washer 13mm e.g. prop shaft disc bolts	741122	0,50 €
Nut, wheel link rear	735164	3,82 €	fine threat screw, steering arm to steering nuckle	733978	0,93 €
Front Upper Suspension Arm Bolt	733929	3,20 €	Self locking nut M12 X 1,5	733113	1,93 €
Plug screw M8 x 1	720319	1,64 €	Nut M8, copper, hex 13	714008	2,30 €
Milled nut, pws reservoir	799462	1,50 €	Washer 10,5 x 30 x 2,5	799889	0,50 €
bolt M6x12, hot-dipped, skirt	799945	1,02 €	BleChLins Screw eFlach	799931	0,24 €
Bolt, M8 x 12 zinced	799942	1,07 €	Washer 6,4 x 11	799941	0,31 €
Shim 4,3x8	799939	0,19 €	BleChSec panelling screw Hex8, e.g. bumper hskant 12 frt / 26 rr	799938	0,32 €
BleChLins Tapping screw Phillips 4,2x9,5 eFlach	799936	0,15 €	BleChSen Counter sunk screw 3,5x9,5,eg kFlach glove box	799935	2,80 €
BleChSen Counter sunk screw 2,8 x 22 kLinse	799934	1,81 €	BleChLins Panelling screw 4,8 x 13 eFlach	799933	0,32 €
BleChSen Counter sunk screw 4,2x14, kLinse industrial chromed	799932	0,58 €	BleChSec Counter sunk screw, eg wing to rail hskant	799930	0,38 €
Waved spring washer M8	799911	0,18 €	BleChSen Screw kFlach	799929	0,38 €
BleChSen Screw, interior mirror kFlach	799928	0,50 €	BleChSen Screw, countersunk, 3,5 door-chr. kLinse	799927	1,14 €
BleChSec Panelling screw SW10 6,2x20 hskant	799924	0,88 €	Mutter M6 feuerverzinkt	799920	2,15 €
Hex Nut, M4	799919	0,20 €	Spring washer M4, e.g. trim fixing	799918	0,12 €
Mutter M2,5	799916	0,12 €	Washer 6,5 x 13	799915	0,17 €
Washer 6,4 x 11 zinc plated screw M8	799914	0,12 €	hex nut M10 (hex17), hot zinced	199148	0,57 €
Washer large diameter. 6mm galvanized	990113	0,03 €	Seal ring f. bolt 705004	705005	0,68 €
Set of chrome screws 395 pcs	191111	789,99 €	Set of chrome screws 419 pcs for bucket seat car	191112	749,99 €
hex. head bolt grade8.8 yellow zinc plated M12X90	115249	2,33 €	Chrome nut, hub spoke ->67 horn push	246215	13,09 €
Bolt M12 x 80, e.g. Starters up to 1957	115044	2,06 €	hex.head bolt grade 8.8 M12 X 75 zinc plated	115248	2,01 €
sunk_shi countersunk washer m	999041	3,95 €	BleChSen Pan head tapping screw 2,9X6,5 kLinse zinc plated	299049	0,06 €
Washer large diameter. 5mm galvanized	990112	0,03 €	Self-tapping screw 4.2 x 32 galvanized, countersunk lens head	999984	0,15 €
Washer large diameter. 4mm galvanized	990111	0,03 €	parallel pin 10 X16, tolerance m6	299915	1,01 €
MaschSe Phillips screw, half-round head, M6 nkKreuz x 16	990109	0,34 €	MaschSe Phillips screw, countersunk head, nkKreuz M6 x 16	990110	0,28 €
MaschSe Phillips screw, semicircular head, nkKreuz M4 x 10	990107	0,18 €	MaschSe Phillips screw, half-round head, M4 nkKreuz x 16	990108	0,21 €
BleChSen Sheet metal screw countersunk kLinse head 2,9X9,5 galvanized	990105	0,15 €	BleChSen Sheet metal screw countersunk kLinse head 2.9X13 galvanized	990106	0,06 €
			BleChLins Self-tapping screw with spigot 4.2 eFlach X16 galvanized	990104	0,06 €

Blechlins Self-tapping screw with Phillips 4.2	990103	0,07 €	BlechSec Sheet metal screw with hexagon	990102	0,20 €
eFlach X13 galvanized			hskant 5.5 X 13 galvanized		
parallel pin 8 X 16	299916	0,88 €	BlechSen raised countersunk head tapping	798981	2,25 €
Hexagon nut 10 M6, galv. Verz.	990100	0,12 €	kLinse screws, chrome plated 4,8X19		
panhead tapping screw 6,3 X 22	799721	0,14 €	hex. socket head cap screw M6X30	299052	0,34 €
dummy pin, chrome plated 22mm	988106	2,62 €	zinc plated		
head			Blechlins Pan head screws with collar, with	754435	0,38 €
set screw set chrome plated 300SEL	898109	292,00 €	eFlach screw thread for plastic		
6,3 238pcs.			dummy pin, chrome plated 12mm	988105	2,31 €
tapping hex.head screw 6,3 X 19	288559	0,60 €	head		
hex. socket head cap screw	299053	0,22 €	BlechSen Screw countersunk, 3,9 x 22	999985	0,46 €
M6X18, zinc plated			kLinse		
BlechSen raised countersunk head tapping	798982	2,25 €	Panelling screw, e.g. lower eng	R7099925	1,09 €
kLinse screw, chrome plated, 4,8x25			comp covering		
plastic washer PA 3,2	882015	0,15 €	countersunk head srew M4X8, zinc	276098	0,12 €
BlechSen raised countersunk head tapping	272727	1,05 €	plated		
kLinse screw chrome plated 2,9X9,5			countersunk head screw M3X8	276099	0,41 €
Blechlins pan head tapping screw w. Phillips	798806	0,30 €	stainless steel, door lock		
eFlach cross and flat end 3,5X25			MaschSe Countersunk head screw M5X10	798032	0,15 €
stud M8 X 25 for manifold	714993	3,05 €	nkKreuz R107 Softtop		
blind rivets zinc plated flat head 4 X	782819	0,15 €	BlechSen Counter sunk screw 4,2x13,	799832	1,45 €
10			kLinse chrome plated		
Brass disc 6mm	754968	0,21 €	MaschSe screw M3, plate above column	799468	0,31 €
Split pin 5 X 45, eg castle nuts	246213	0,43 €	nkKreuz contact assy		
steering			hex head screw M10 X 90 zinc	758805	1,46 €
washer 4,3 X 12 X 1	799890	0,14 €	plated		
Blechlins screw for electric set mounting	782843	0,31 €	Hexagonal nut 10 M8, galv. Verz.	990101	0,15 €
eFlach			see 154089 or 999909 or 799462	299469	1,57 €
hex. socket head cap screw, zinc	109009	0,81 €	washer 5,3 X 15 X 1,2	799891	0,15 €
plated yellow, M8 X 30			Blechlins Pan head tapping screw, zinc	799937	0,32 €
Screw M5 X 8 zinc plated	299888	0,50 €	eFlach plated, 4,8 X 19		
pin 2,5 m6 X 6	233750	0,31 €	hex. socket head cap screw, zinc	109008	1,99 €
Hex. bolts zinc plated, M8 X 65	749850	1,21 €	plated, M8 X 28		
Hex. bolts zinc plated, M8 X 60	749849	1,21 €	rivet, brass, 4 X 6	799940	0,19 €
set complete screw set, chrome plated,	799334	271,86 €	Screw, door catch surround M4 x	777829	0,69 €
R107, '85-			10 crome plated		
set complete screw set, chrome plated	399234	587,86 €	plastic washer 3,2 for electric set	782873	0,14 €
set complete screw set, chrome plated	299233	399,90 €	mounting		
Blechlins lens head screw chromed, 2,9x6,5,	169007	1,07 €	Washer 10,5mm	214108	0,26 €
eFlach DIN 7981			set complete screw set, chrome plated,	799335	296,44 €
Brass disc 5mm	754967	0,16 €	C107, all SLC models		
washer 10,5 stainless steel	788908	0,36 €	set complete screw set, chrome plated,	799333	290,11 €
Washer,waved shape,M5, stainless	788904	0,31 €	R107, '72-'85		
steel			set complete screw set, chrome plated	399233	515,90 €
Screw, M4X6 Phillips, e.g switch	799546	0,24 €	Countersunk screw, lock frame,	275265	0,39 €
Nut, square, M6	R7090998	0,26 €	zinc plated		
nut M6 w. flange, zinc plated	799913	0,37 €	Hex bolt e.g. pulley, 10.9 M8x22	703374	0,51 €
In-Hex bolt e.g. pulley, 10.9 M8x65	203274	1,33 €	washer, stainless steel 6,4	788822	0,19 €
Castle nut M10X1, thin shape, early	133706	2,45 €	hex nut M5, stainless steel	788920	0,32 €
joint			nut M8 w. flange, zinc plated	799813	0,55 €
hex head screw M12 X1,5 X 45,	233116	2,08 €	BlechSec hex. head tapping screw 4,8X25,	899938	0,29 €
e.g. cross strut			hskant clamps at firewall		
Blechlins panhead tapping screw 4,8 X 13	788206	0,30 €	hex. cap nut, 1.4305, M8	701819	1,99 €
eFlach			hex nut, stainless steel M8	788820	0,76 €
washer 8,4 stainless steel	349819	0,35 €	hex nut, stainless steel M6	788821	0,43 €
Screw, M4 Phillips	299546	0,20 €	hex head screw 10.9 zinc plated	233146	1,23 €
Bolt 6x16 e.g. pan, in-hex	701319	0,48 €	M10X1X40, eg. steering damper		
sealing ring, aluminium 30mm	215032	0,81 €	Blechlins panhead tapping screw 4,2 X 16	788381	0,18 €
			eFlach		
			Bolt A2 M5X12, frt grille mouldings,	788207	0,74 €
			..		
			Hex Bolt stainless steel, M8 X 30	349818	0,49 €
			locking shim, acc link mounts	707277	1,36 €
			Cylinder head bolt 105mm for	101105	5,99 €
			engine M121 921,127,129,130		
			Bolt, eng.mounting/chassis	222004	0,64 €

	Seal ring, copper , id 30	220118	1,05 €	Bolt M6, yellow zinced, thermo.housing	220017	0,29 €
	Hollow screw,early M16X1,5	220012	5,89 €	hex bolt M6 X 75 e.g. for oilpump, late version	218498	1,02 €
	Hex.bolt M6X50 e.g. for oilpump	218497	0,76 €	screw M6x22	218496	0,21 €
	Federscheibe M6 unbeschichtet	218495	0,12 €	woodruff key W4 H5	215077	0,88 €
	Cap, throttle flap shaft	214074	55,22 €	Bolt, engine support/mounting	222007	1,08 €
	Washer 2mm, thick, exh-manif, bumpers .	214008	0,56 €	Seal ring 14mm Alu	207186	1,08 €
	Sealing ring	207149	0,88 €	Bolt "long", pipe mounts (M5x30)	207030	1,76 €
	woodruff key, standard, 4mm	205077	1,00 €	cylinder head bolt 114mm, M12	201114	6,44 €
	Hexagon socket pipe plugs with taper fine pitch thread M30X1,5	201005	4,88 €	Washer 13x20x2 zincked	199142	0,32 €
	spring lock washer for cheese head screws 6mm, zinc plated	199096	0,08 €	Nut, 5mm, right hand thread	199095	0,24 €
	Spring washer	222005	0,44 €	Bolt engine mount rear	222024	1,54 €
sunk_shim	countersunk washer fits e.g. screws 2,9	199021	0,51 €	hex.head screw M12 X 1,5 X 90, cross member	233063	1,80 €
	Bolt, M8x35, fits drag links	233199	0,44 €	spring washer B16 mechanical zinc plated	233108	1,26 €
	Bolt, strut to frt axle,M16x80	233106	2,56 €	Washer 15mm	233104	0,76 €
	Spring washer M14	233103	0,50 €	hex nut M10 X 1, prevailing torque type, tie rod end	233094	1,51 €
	hex. socket head cap screw 10.9 M6 X 20,	233076	1,08 €	Screw W108 front cross member	233067	0,43 €
	Bolt 8x22, clutch plate	233064	0,37 €	galvanized Spring washer M8	233059	0,21 €
	Screw engine mount rear	222025	0,80 €	hex nut M12 X 1,5 zinc plated class 10	233046	1,58 €
	M12 DIN 127 lock washer	233042	0,39 €	Hex nut M10 fine, e.g. shock-absorber	232989	0,70 €
	Hex bolt, damper-> rr axle	232988	0,56 €	spring type straight pin 4 X 18	230007	0,51 €
	Nut, 5mm Lt. Hd. Threads	230006	0,83 €	Seal ring 10x13,5, Alu, e.g. sender, hollow bolts	227023	0,50 €
	Bolt M7, e.g. gear lever from VIN ..42-10-004926	226034	0,96 €	Nut M7, self locking	226024	1,24 €
	galvanized M8 Nut N004032008005	222026	0,21 €	spring ring for M5 head screws	199041	0,10 €
MaschSe nkKreuz	slotted raised countersunk head screw M4 X 8	198025	0,35 €	Locking Nut, cross strut near axle	235227	1,94 €
	bolt, M7 e.g. buffer 132016	132036	0,38 €	Nut M8	142155	0,50 €
	Spring washer M7	142152	0,18 €	Screw plug @ booster face	142099	5,80 €
	Split pin 2,5 x 16	142091	0,18 €	Split pin 3x22	142089	0,12 €
	Bolt, prop.shaft flange (2x6 req)	141016	13,73 €	Nut M7	135305	0,50 €
	Rear axle nut M22x1.5	135006	1,49 €	Split pin 2,5 x 25, fits crown nuts seering linkage	133007	0,24 €
	Cotter pin 1,5 x 15	126824	0,12 €	Spring washer M6	142158	0,15 €
	Screw engine mount M12 x 45	122009	0,82 €	sealing ring copper 32	120033	1,31 €
	Nut, M10, exh manifold	114008	1,25 €	Screw M6x18 e.g. Filter box 190SL,bonnets, ..	109024	0,38 €
	Seal ring 18x22 Al	109019	0,94 €	toothed lock washer, external teeth 6,4mm	107051	0,24 €
	Nut, M8x1 slim, e.g. throttle shafts,..	107036	0,56 €	Valve adjustment nut M10x1, height 4,3	105019	2,48 €
	parallel pin, tolerance zone m6, 10 X 14	101190	1,34 €	Allen head bolt 125mm .921 6x, .928 3x	101125	5,50 €
	Bolt M6 at rope roll	142156	0,75 €	Washer,waved shape,M5, zinced	142904	0,25 €
MaschSe nkKreuz	Chrome bolt M6 x 16	191017	23,67 €	Shim, chromed, for M10 bolts	177249	4,99 €
	BlechLinspan head tapping screw zinc plated eFlach 3,9 X 13	188889	0,25 €	Cage nut M6, no locking	188835	1,90 €
	BlechSen Screw @ front grille kLinse	188071	1,54 €	Square nut,M10	188012	0,58 €
MaschSe nkKreuz	raised countersunk head screw, stainless steel M4X14	182099	0,30 €	Bolt M3 for sign	181043	0,13 €
	Spring washer, fits M6	181028	0,18 €	thread pin, inner hex, e.g. mirror base	181024	0,76 €
	Hex nut M6, yellow zinc.	181023	0,18 €	Spring washer, chromed	177248	6,19 €
	Washer5.3mm	142905	0,24 €	Chrome bolt hex.w.peak, S/T-mount	177247	31,89 €
	washer, 6,4 e.g. boot hinge	175005	0,36 €	BlechSen Chromed screw countersunk kLinse eg.door panel	172199	0,83 €

Bolt M3 e.g. Glove box handle	168079	0,82 €	Countersunk bolt M5X16, industrial chrome plated	167062	0,45 €
MaschSe Sunk screw M5 x 16, stainless nkKreuz	167061	2,05 €	Bolt M8 x 40	149059	1,14 €
Pin at booster piston	143014	0,49 €	hex nut,early brake bolt	142919	1,38 €
M8x15-933 hex head bolt	142912	0,56 €	Bolt, M12 x 35 fine, e.g. cross strut	235225	2,28 €
self locking counter nut M12	235228	0,43 €	In hex cyl bolt 12.9, M10x165	701165	16,66 €
Washer 6.4 large, yellow zined	299276	0,18 €	Screw M5 e.g. safety hook @ bonnet	299286	0,26 €
Screw, countersunk, M6 e.g. bonnet lock	299285	0,44 €	Washer 5,3mm yellow zined	299284	0,11 €
Spring washer M4 yellow zined	299283	0,08 €	Washer 4,3 yellow zined	299282	0,08 €
In hex M4 bolt, head lamp mounting	299280	1,36 €	BlechLins Screw 3,9 eFlach	299279	0,27 €
BlechLins Screw 4.2 e.g. at 298043 eFlach	299278	0,38 €	Locking spring washer	299277	0,21 €
Screw, Phillips M6, e.g. locks upper	299275	0,44 €	Screw M6 e.g. Bonnet hinges	299289	0,38 €
Grip washer M8	299274	0,29 €	Locking washer M6	299273	0,21 €
Spring washer A6 zinc plated	299127	0,21 €	washer M6, yellow zined	299125	0,21 €
MaschSe coutersunk head screw for hardtop nkKreuz	299083	0,82 €	N900056005202 N900056005202	299082	0,56 €
dec. stripes			N9000560052		
Spring pin, DIN1481, spring steel, 2.5 X 14	299080	0,32 €	Lock ring 26x1,2	299057	1,26 €
Nut M10, hex 16! , hot zined	299047	0,76 €	MaschSe screw nkKreuz	299046	0,77 €
MaschSe Screw M5 e.g. Bonnet spring nkKreuz brackets	299287	0,50 €	Hex Nut M6 flat shaped	299291	0,37 €
BlechSec Metal screw 4,2x13 SW7 hskant	299044	0,44 €	cotter pin 3 x 28, fits 314025 ...	314029	0,32 €
N007976004203			In hex cyl bolt 12.9, M10x155	701135	9,16 €
hex. socket head cap screw, zinc plated M8 X 135	701149	4,59 €	In hex cyl bolt 12.9, M10x80	701113	2,67 €
In hex cyl bolt 12.9, M10x90	701115	4,05 €	In hex cyl bolt 12.9, M10x55	701103	1,84 €
In hex cyl bolt 12.9, M10x65	701105	3,05 €	MaschSe Set bolts 220SE Cab. Pontoon nkKreuz	477220	428,47 €
Nut M8, copper, hex 12	514008	1,90 €	Hex Bolt M6 x 10 yellow zined	299997	0,35 €
sunk_shi m countersunk washer / screw escutcheon	373113	0,70 €	Screw for belts	299990	1,36 €
Spring washer M5	299325	0,11 €	Hex nut M5, zined	299919	0,18 €
BlechSen Senk-Blechschaube 3,9x22 zB kFlach	299928	0,44 €	Cotter pin 2,0 x 25, e.g. tie rod nuts	299460	0,12 €
Innenspieg			Lockung Nut M8, e.g. damper	299333	0,76 €
Bolt, countersunk with cross recess, M6x10	299785	0,39 €	Locking ring M8	299327	0,18 €
Collar nut M5 locking, e.g. trunk lock	299336	0,46 €	Washer, e.g. screws @ mesh	299045	0,21 €
Locking ring M10	299328	0,38 €	hex nut M12 X 1,5 zinc plated	235229	0,65 €
Washer 8,4mm, standard, yellow zined	299326	0,11 €	BlechSen Screw for chrome strips kFlach	269164	0,13 €
Bolt M6 x 12 in-hex	299043	0,36 €	Washer, entry trim strip,fr.	268132	0,18 €
Drain plug screw M14 x 1,5 (rad. / eng,..)	250027	2,70 €	BlechSen Screw 4,2 x 25 kFlach	268104	0,30 €
BlechSen panelling screw, phillips, chromed kFlach	268133	1,32 €	sunk_shi m Escutcheon fitting panelling screws diam 3,9	267014	0,89 €
BlechSen Panelling screw kLinse	268108	0,44 €	Wing nut M8, e.g. wheel shoe @ support	258111	1,57 €
BlechSen Countersuk screw eg wood grille kLinse	267109	0,50 €	Rivet, rear window drip strips	270691	0,20 €
BlechSen flat headed screw 4x20 kLinse	267013	0,38 €	Copper ring fits M4 screws	247051	0,43 €
Bolt M8x50, e.g. exh front pipe flange	249049	1,26 €	Bolt M10x30 e.g. rear axle mount	235318	1,02 €
Screw M8x55 exhaust bracket	249048	0,96 €	hex head screw M10 X 20, 10.9 zinc plated	235315	1,40 €
spring lock washer A16	235321	0,52 €	Cap,to235308	235309	1,32 €
M12-127 lock washer	235316	0,26 €	Bolt, universal joint 230SL (L70)	235231	2,25 €
Spring washer,M12, rr axle, eng.mount	235314	0,60 €	BlechSen Ctr sunk screw @ kLinse	272034	1,44 €
Spring washer, u/j bolt	235303	0,42 €	272033/044/300/400		
MaschSe Flat headed screw M4x7 chrome nkKreuz	269243	0,19 €	Washer, Star/frame	288047	0,55 €
MaschSe Countersunk screw M4 x 8 chrome nkKreuz	299042	0,71 €			
eg lock esc					

Washer for 299034	299038	0,12 €	Nut	299035	0,17 €
Blechschrabe zB Einstieg unter Gummim.	288134	0,19 €	Screw (sill to wheel arch)	288133	0,50 €
Screw, bumper bracket	288116	0,76 €	BlechLins Screw 3,5 x 9,5, see picture eFlach	288081	0,32 €
BlechSec Panelling screw 5,5 x 16 (hex head hskant 8mm)	288059	0,60 €	Bolt M5/hex8, frt grille mouldings	288049	0,32 €
MaschSe Bolt M5x10,i.e. Star->Frame, nkKreuz industrial chrome finish	288048	1,45 €	sunk_shi Washer, chrome, high shape, fits m up to 4mm screws	288013	2,99 €
BlechSen countersunk head tapping screw kFlach 3,5X13, sealing rail 230SL	272723	0,13 €	BlechLins Panel screw, lens head 3,5x13 vent eFlach hood	283031	0,18 €
BlechSen Screw, grille/bodywork kLinse	283021	1,90 €	Square nut e.g. at 281039	281169	0,44 €
BlechLins panel screw, lens head, 3,5x22 eFlach visorsup	281159	0,44 €	BlechSen Counter sunk screw 3,9 Phillips kLinse	281139	0,26 €
MaschSe Countersunk screw, lock frame, nkKreuz chrome plated	277265	1,26 €	sunk_shi escutcheon e.g. screw 277052, .. m	277053	3,02 €
MaschSe Chrome screw M4, e.g. wire at nkKreuz canvas	277052	1,79 €	MaschSe Countersunk screw, rail/frame, nkKreuz M4x12	277027	0,49 €
BlechSen Screw, R/C107, R113 kFlach	272724	0,51 €	hex. head tapping screw with cone end, zinc plated 4,8 X 19	799723	0,19 €

98.c panelling nuts, mechanical locking nuts

Clip nut, trunk hood	175015	19,75 €	Nut	798174	0,36 €
spring lock washer A18, mech. zinc plated	990115	0,31 €	nut M6 w. flange, zinc plated	799913	0,37 €
Plastic clips, linkage, locking, doors, ...	998005	1,44 €	Sheet metal nut	999815	0,39 €
speed nut 6,3	999814	0,67 €	Nut	999810	1,26 €
Nut for panelling screws 4,2, long shape	999805	0,51 €	Nut	999804	0,95 €
Clips-Nut e.g. wings frt 108/111-4-door	898170	0,83 €	cage nut 4,8, e.g. sun roof	799778	0,74 €
nut, coverings, fits M6 bolts	799097	1,26 €	Spire nut for handle	798739	0,45 €
Nut for panelling screw	798170	0,81 €	Clip nut	188073	0,49 €
Clip nut	798167	0,43 €	Nut	798166	0,58 €
speed nut 6,3	798165	0,67 €	Nut	798164	0,55 €
Blechmutter zB Lampentopf, Heizungskast	788099	0,55 €	Blechmutter, 111-Grill an Haube	388219	0,36 €
Spring clip nut, 4,2, e.g. wing 107,..	299028	0,33 €	Spring clip nut, 4,2 e.g. glove box	299027	0,43 €
Clip, 230-280SL	281026	1,18 €	Clip, 'Automatic'	281024	0,20 €
self locking counter nut M12	235228	0,43 €	Cage nut M6, no locking	188835	1,90 €

98.d Seal rings of metal or rubber, Fittings

Hollowscrew M6 x 0,75 x 15, carb. drain pipe	107027	10,95 €	O-ring e.g. Gearbox housg frt FN	399995	2,20 €
O-Ring ABS-sender @ diff housing	735242	1,33 €	O' Ring, diff. housing	735210	1,46 €
O-Ring eg 722.004 brake piston cover	727379	2,49 €	Seal ring f. bolt 705004	705005	0,68 €
Seal ring	701299	1,25 €	Seal ring diff-out L/R 114/107 2.8 FN	535210	1,29 €
Seal ring 10x16, copper	399189	0,71 €	O-Ring pws-reservoir->pump, small	746243	1,20 €
Hollow screw e.g.M127 breather banjo-style	309098	19,25 €	O-Ring Peilstabrohr zB 127.982	301397	1,50 €
O-Ring pwr-steerg oil press fitting	299799	3,33 €	Copper seal ring M8, filled	299305	1,09 €
Seal ring, sump plug	299303	0,33 €	O-ring e.g. clock underlay	298754	1,25 €
alu seal ring M12, eg.eng.block @ chain	298712	0,80 €	hollow screw, oil reservoir @ VT27	746089	13,89 €
O-ring Vickers pump,housing,reservoirV8	746246	1,87 €	O Ring, pressure valve	246145	3,50 €
O' ring, primary pump, autm.	727047	2,31 €	workshop fitting for 4.75 lines, male thread, hex 11	942966	0,36 €
union nut M26, fits 120830	120831	10,82 €	lower O-Ring, Motronic Injectors e.g. 111.983	R7007235	1,43 €
Seal ring 10x20, copper, sump autm 722.6	927023	0,65 €	o-ring seal for master cyl reservoir ->67	243033	3,31 €
O' ring, autom., wire actor	727049	2,31 €	Seal ring, sender in reservoir	750049	4,57 €
Hollow screw M12 x 1,5	747146	3,57 €	Seal ring 14mm copper	207886	1,08 €
Hollow screw e.g.M127 breather banjo	309898	25,13 €	Banjo fitting, norm, fits M8	920317	3,88 €
Copper ring M6, filled	899305	0,83 €	Seal ring 14x20x1,5 copper, e.g. oilpan	799306	0,36 €
Copper seal ring M12 e.g. Autm transm	799303	0,80 €	Banjo fitting, fits M12 bolt/7,5-hose	747991	2,77 €
O-Ring blk rubber, eg Type signs	281027	0,13 €	Banjo fitting, fits 10mm screw	227850	4,07 €
Seal ring at carb.	107059	0,12 €	Seal ring 10x13,5, copper, e.g. wheel cyl, ..	142039	0,46 €
Alu ring 22mm	199924	0,60 €	Alu seal ring M26, e.g. fuel tank	147056	0,95 €
Seal ring, drv piston	143083	2,78 €	Fiber seal ring M22	142098	0,60 €
Hollow bolt	142094	6,49 €	Hollow screw, pipe conn.	142049	11,96 €
Hollow bolt brake cylinder	142018	9,57 €	Copper seal ring	207115	0,62 €
sealing ring copper 32	120033	1,31 €	Screw fitting	114027	14,88 €
Banjo fitting, norm, fits M18	109816	16,01 €	Seal ring 18x22 Al	109019	0,94 €
Hollow bolt, eg eng vent ->'55	109018	9,76 €	Alu seal ring M12, eg. eng. block@chain	107143	0,70 €
Seal ring at threaded fitting	107097	0,52 €	O' Ring tensioner to head	205135	0,55 €
Sealing ring	207149	0,88 €	O' ring, primary pump, autm.	227047	2,31 €
Sealing ring ID8, eg. for hollow screw	220011	0,65 €	Seal ring 10x13,5, Alu, e.g. sender, hollow bolts	227023	0,50 €
Hollow screw on suction pipe	227022	1,99 €	Seal Ring gear box drain plug	226047	0,54 €
Seal ring, copper , id 30	220118	1,05 €	Seal ring 16x20, copper, e.g. hollow bolts	220013	0,67 €
Hollow screw,early M16X1,5	220012	5,89 €	Hollow screw, air venting	220010	2,48 €
Seal ring 14mm Alu	207186	1,08 €	O-ring, eng. housg	218412	0,55 €
O-ring, dip stick late (plastic handle)	218119	0,62 €	sealing ring, aluminium 30mm	215032	0,81 €
Copper ring 18mm	214079	1,21 €	Seal ring 16x20, Alu, e.g. hollow bolts	214078	0,99 €
O'ring,throttle flap shaft, M127/M100	214070	2,20 €	Hollow screw, M14 x 1,5	207276	4,66 €

98.e fitting components, plastic, small

plastic knop, boot rubbermat fixture	168305	9,98 €	Plastic nut, milled, cockpit W108, Lamps 123	854197	4,17 €
Plastic rivet, e.g.sound-ins.mat	999068	0,40 €	Nut, coverings	999807	0,35 €
Nut	999809	0,38 €	Rivet	999817	0,39 €
Rivet	999819	0,39 €	plastic plug w.chrome cap	788195	0,99 €
Plastic rivet plug, upholstery, carpet, ...	999067	0,83 €	PA washer M4 x 9	982359	0,12 €
Plastic clips, linkage, locking, doors, ...	998005	1,44 €	Plasticrivet with locking pin	999822	0,42 €
knob, plastic base, carpet fixture	798006	3,19 €	square plastic rivet, div trunk covering	R2999034	0,75 €
Plastic-clip universal/VW, may replace SLS 268726	968275	0,60 €	plastic rivet	799104	1,05 €
clip	772227	2,49 €	Clips, wire @ body	998181	0,90 €
Nut, clips	969896	0,68 €	Rivet,for cover in boot	269034	0,35 €
Clip on door trim (16x veh.)	772228	0,48 €	Clip, Acc pedal	730009	1,00 €
Nut	742199	0,35 €	cable clip e.g. fuel hose	747994	1,42 €
Clips clamp, plastic, 13mm	754069	1,09 €	Plastic rivet	769034	0,54 €
Plastic nut M4	769156	0,54 €	Clip, door seal, rear	772158	0,60 €
plastic washer at adjuster bolts	782804	0,73 €	Clip @ Sacco-panel, where screwed	969891	0,55 €
Plug rivet for square hole eg, lower rad.cover	788991	1,32 €	plastic plug w.chrome cap	788995	1,92 €
Plastic clips, linkage, locking, heater	798004	1,26 €	collar plastic clips nut, covers+insulation	798159	2,43 €
Clip fits 2 pipes ea 8mm	798177	0,55 €	plastic rivet, headlights (EU) to fender	799091	3,33 €
Clips, fuel line @ body rail	947049	1,75 €	plastic plug for screw	999823	3,99 €

98.f Filament light bulbs



	Halogen bulb H4 55/60 watts (P43t) 799290	11,19 €	1	Light bulb 12V/2W, BA7s	299079	1,99 €	
	OSRAM NBS						
2	Glühlampe 12V 10W	799089	0,77 €	2	Bulb, e.g. trunk light	282033	2,50 €
2	bulb 12V 5W Ba15s socket	799189	0,81 €	3	light bulb 12V/2W, BA9s, eg.	254033	2,20 €
					Instruments		
4	Bulb 12V / 21W direction indicator	299085	1,25 €	4	Bulb 12V/18W direction indicator	299087	3,33 €
4	Bulb 12V 15W BA15S, halo modernized	399083	3,69 €	5	Bulb, parking light, 12V/4W, BA9S	299099	1,39 €
6	Bulb, 5/21W (2 filament)	199090	1,49 €	6	Bulb, 5/18 watts (2 filament), 12V, clear	499090	1,44 €
7	Bulb 12V 15W BA15S, halo modernized	399084	3,92 €	8	indicator bulb yellow, 12V, 21W, BAU15s, yellow	R7082585	1,89 €
9	instrument panel bulb 12V, 2W W2,1X9,5d	R7054223	1,79 €	9	Bulb, passenger compt. 3W, NoName	299096	1,79 €
9	instrument panel bulb 12V, 5W, W2,1X9,5d	R7054598	1,18 €	9	bulb 3W Philips	299696	1,00 €
10	Lamp 1,2W, cockpit check lights several	999096	1,67 €	11	indicator bulb yellow, 12V, 5W, W2,1X9,5d	R7082379	1,89 €
12	instrument panel light bulb 12V, 1,2W, BX8,5d	R7054294	3,56 €	13	bulb 1,2W Philips	299697	0,88 €
13	Bulb 1.2W, glass socket, switch-knob, cockpit	299097	1,79 €	14	instrument panel bulb 12V, 1,5W, BX8,4d	R7054608	4,17 €
15	Bulb 12V/0,5W, see picture	799083	1,52 €	16	Bulb, 40/45W, Bilux	299092	3,99 €
17	Bulb, 1,2 Watts, plastic socket	R7099097	1,96 €	17	mini bulb Bi-Pin 14V, 80mA	799695	2,29 €
18	Halogen bulb H4 55/60 watts (P43t)	799090	3,78 €	18	Halogen bulb H4 55/60 watts (P43t) OSRA	799190	6,60 €
19	Bulb 12V / 3W, torpedo, total length	226102	2,53 €	21	Bulb 12V / 10W, torpedo, total	799081	1,46 €

21	30 Bulb 12V / 5W, torpedo, total length 299098	1,54 €	22	length 38 Bulb, 55W H1, e.g. 113 if Halogen equipped 299090	5,95 €
23	Bulb 12V / 10W, torpedo, total length 44 299094	1,44 €	24	Bulb, 35W, Fog light 299093	8,32 €
26	Glühlampe H7 12V 55W 999090	6,96 €	28	Bulb, 55W Halogen H3,fog light 299091	4,52 €